

**Ordering Information:**

A2006HU-2xXP - \*\*\*  
1 2

1.Part NO.

2.Color

(Blank): Natural

BK: Black

CB: Cobalt Blue

DP: Dark Purple

IV: Ivory

DPK: Dark pink

LE: Light blue

TR: Tomato red

BL: Blue

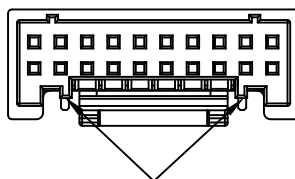
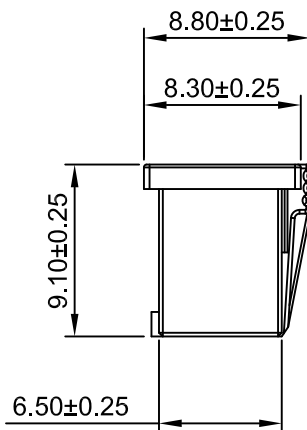
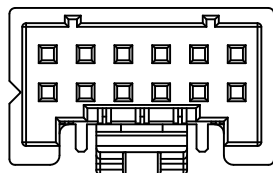
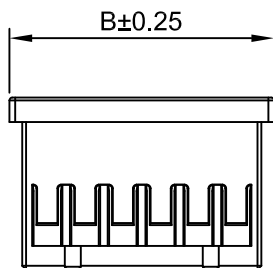
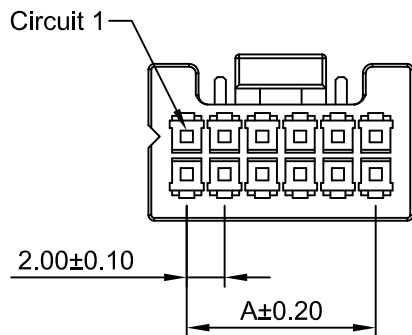
DO: Dark Orange

DH: Dark Gray

OR: Orange

MG: Moss green

LY: Lemon yellow



2x4P~2x7P Without Guide bulge  
2x8P~2x20P With Guide bulge

**SPECIFICATIONS:**

Current Rating: 3A AC,DC  
Voltage Rating: 250V AC,DC  
Temperature Range: -40°C ~ +105°C  
Contact Resistance: 10mΩ Max.  
Insulation Resistance: 1000MΩ Min.  
Withstanding Voltage: 800V AC/minute  
Material: Nylon66,UL94V-0(Natural)

**Ordering Information & Dimensions**

Part NO.	Dimensions(mm)	
	A	B
A2006HU-2x4P	6.00	10.00
A2006HU-2x5P	8.00	12.00
A2006HU-2x6P	10.00	14.00
A2006HU-2x7P	12.00	16.00
A2006HU-2x8P	14.00	18.00
A2006HU-2x9P	16.00	20.00
A2006HU-2x10P	18.00	22.00
A2006HU-2x11P	20.00	24.00
A2006HU-2x12P	22.00	26.00
A2006HU-2x13P	24.00	28.00
A2006HU-2x14P	26.00	30.00
A2006HU-2x15P	28.00	32.00
A2006HU-2x16P	30.00	34.00
A2006HU-2x17P	32.00	36.00
A2006HU-2x18P	34.00	38.00
A2006HU-2x19P	36.00	40.00
A2006HU-2x20P	38.00	42.00

REV	DESCRIPTION	DATE
A1	MODIFY DRAWING	2021.06.16
A0	NEW RELEASE	2016.07.20

**CJTconn** CHANGJIANG CONNECTORS CO.,LTD.

Unit	Scale	Sheet	TITLE
mm	2.5:1	1 of 1	
DRWN	CHK'D	APPR	2.00mm PITCH HOUSING
Dengchun Yi	Diankui Wan	Jack Yin	
General Tolerances			DRAWING NO.
x.xx±0.25 x.xxx±0.20 x.xxxx±0.15 ANGLES ±1°			
THIRD ANGLE PROJECTION			A2006HU-2xXP
			REV A1

## X-ON Electronics

Largest Supplier of Electrical and Electronic Components

*Click to view similar products for [Headers & Wire Housings](#) category:*

*Click to view products by [Changjiang](#) manufacturer:*

Other Similar products are found below :

[57102-F02-18ULF](#) [58102-G61-06LF](#) [582553-1](#) [009176003701906](#) [01.001.5753.1](#) [0050291907](#) [02.125.8002.8](#) [609-3404](#) [61062-3](#)  
[CSU011177004](#) [622-0430](#) [622-3653LF](#) [63453-116](#) [636-1030](#) [636-1427](#) [636-3427](#) [636-4007](#) [641938-9](#) [65495-038](#) [65692-001LF](#) [65781-018](#)  
[65781-047](#) [65817-010LF](#) [65817-015LF](#) [66207-023LF](#) [67095-007LF](#) [67601157](#) [68631-112](#) [68645-018](#) [699319-000](#) [M90C108951C](#)  
[70.362.1628.0](#) [70-4210](#) [70-4226B](#) [70-4853B](#) [707-5028](#) [71.350.2428.0](#) [71961-016LF](#) [733-134](#) [733-162](#) [754199-000](#) [760-3052](#) [80.063.4001.1](#)  
[800-90-001-10-001000](#) [800-90-010-10-002000](#) [801-43-002-10-013000](#) [801-43-006-10-002000](#) [803-41-018-10-001000](#) [803-43-024-10-](#)  
[001000](#) [803-93-012-10-001000](#)