

Ordering Information:

A2006HU-2xXP - ***
 1 2

1.Part NO.

2.Color

(Blank): Natural

BK: Black

CB: Cobalt Blue

DP: Dark Purple

IV: Ivory

DPK: Dark pink

LE: Light blue

TR: Tomato red

BL: Blue

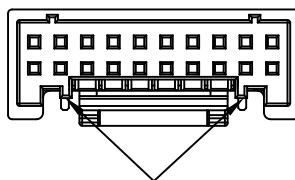
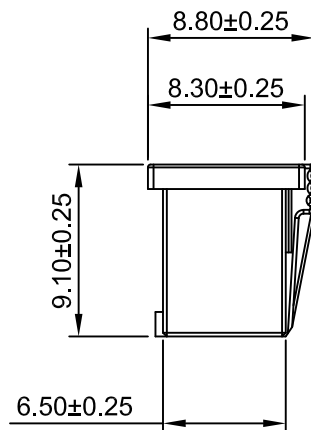
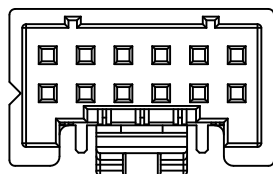
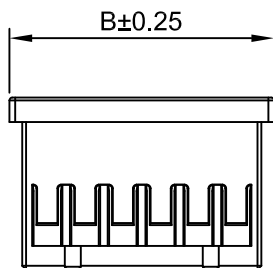
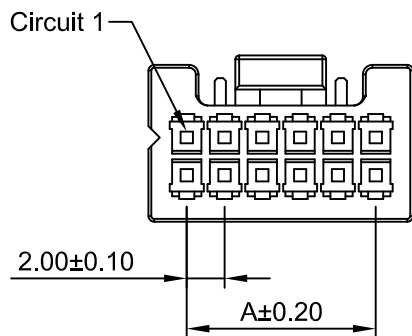
DO: Dark Orange

DH: Dark Gray

OR: Orange

MG: Moss green

LY: Lemon yellow



2x4P~2x7P Without Guide bulge
 2x8P~2x20P With Guide bulge

SPECIFICATIONS:

Current Rating: 3A AC,DC
 Voltage Rating: 250V AC,DC
 Temperature Range: -40°C ~ +105°C
 Contact Resistance: 10mΩ Max.
 Insulation Resistance: 1000MΩ Min.
 Withstanding Voltage: 800V AC/minute
 Material: Nylon66,UL94V-0(Natural)

Ordering Information & Dimensions

| Part NO. | Dimensions(mm) | |
|---------------|----------------|-------|
| | A | B |
| A2006HU-2x4P | 6.00 | 10.00 |
| A2006HU-2x5P | 8.00 | 12.00 |
| A2006HU-2x6P | 10.00 | 14.00 |
| A2006HU-2x7P | 12.00 | 16.00 |
| A2006HU-2x8P | 14.00 | 18.00 |
| A2006HU-2x9P | 16.00 | 20.00 |
| A2006HU-2x10P | 18.00 | 22.00 |
| A2006HU-2x11P | 20.00 | 24.00 |
| A2006HU-2x12P | 22.00 | 26.00 |
| A2006HU-2x13P | 24.00 | 28.00 |
| A2006HU-2x14P | 26.00 | 30.00 |
| A2006HU-2x15P | 28.00 | 32.00 |
| A2006HU-2x16P | 30.00 | 34.00 |
| A2006HU-2x17P | 32.00 | 36.00 |
| A2006HU-2x18P | 34.00 | 38.00 |
| A2006HU-2x19P | 36.00 | 40.00 |
| A2006HU-2x20P | 38.00 | 42.00 |

| REV | DESCRIPTION | DATE |
|-----|----------------|------------|
| A1 | MODIFY DRAWING | 2021.06.16 |
| A0 | NEW RELEASE | 2016.07.20 |

CJTconn CHANGJIANG CONNECTORS CO.,LTD.

| | | | |
|--|-------------|----------|----------------------|
| Unit | Scale | Sheet | TITLE |
| mm | 2.5:1 | 1 of 1 | |
| DRWN | CHK'D | APPR | 2.00mm PITCH HOUSING |
| Dengchun Yi | Diankui Wan | Jack Yin | |
| General Tolerances | | | DRAWING NO. |
| x.xx±0.25 x.xxx±0.20 x.xxxx±0.15 ANGLES ±1° | | | |
| THIRD ANGLE PROJECTION | | | A2006HU-2xXP |
| | | | REV A1 |

X-ON Electronics

Largest Supplier of Electrical and Electronic Components

Click to view similar products for [Headers & Wire Housings](#) category:

Click to view products by [Changjiang](#) manufacturer:

Other Similar products are found below :

[57102-F02-18ULF](#) [58102-G61-06LF](#) [582553-1](#) [0009485154](#) [009176003701906](#) [0050291907](#) [02.125.8002.8](#) [609-3404](#) [61062-3](#) [622-0430](#)
[622-3653LF](#) [63453-116](#) [636-1030](#) [636-1427](#) [636-3427](#) [636-4007](#) [641938-9](#) [65495-038](#) [65692-001LF](#) [65781-018](#) [65781-047](#) [65817-015LF](#)
[66207-023LF](#) [67016-026LF](#) [67095-007LF](#) [68631-112](#) [68645-018](#) [68648-049](#) [699319-000](#) [M90C108951C](#) [70.362.1628.0](#) [70-4210](#) [70-4226B](#)
[70-4853B](#) [707-5020](#) [707-5028](#) [71.350.2428.0](#) [71961-016LF](#) [733-134](#) [754199-000](#) [760-3052](#) [787-8014-00](#) [FCN-367T-T012/H](#)
[80.063.4001.1](#) [800-90-001-10-001000](#) [801-43-002-10-013000](#) [801-43-006-10-002000](#) [803-41-018-10-001000](#) [803-43-014-20-001000](#)
[803-43-024-10-001000](#)