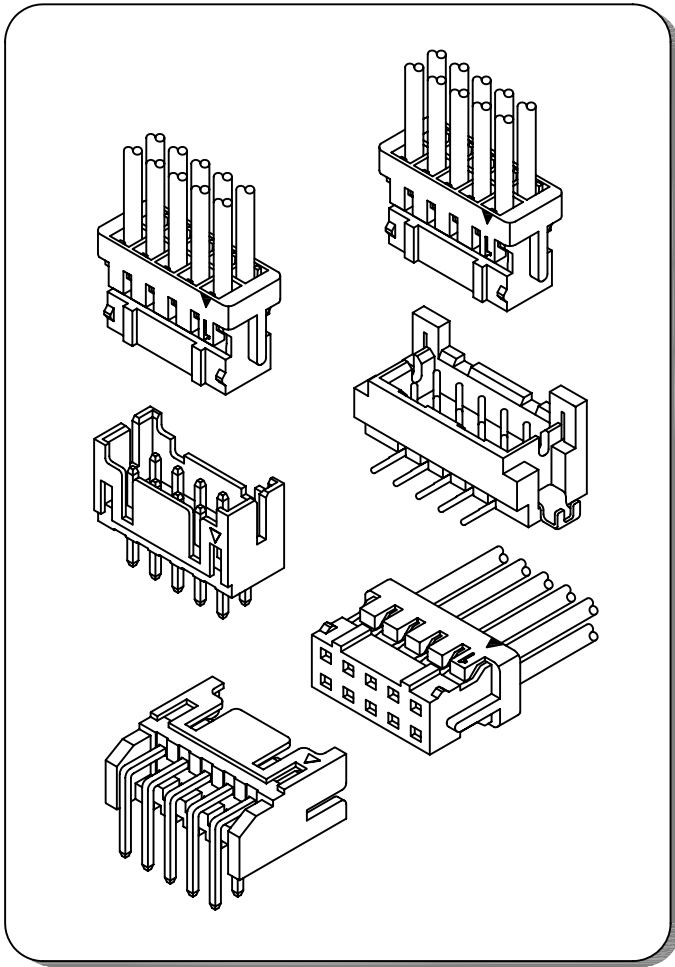


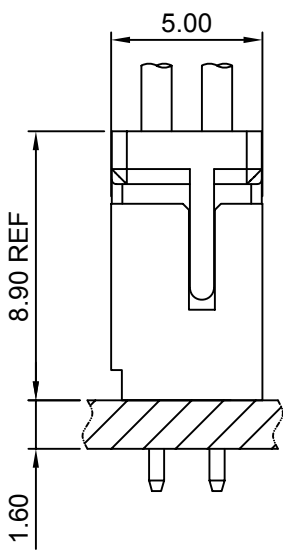
Specifications

- Current rating:2A AC,DC
- Voltage rating:250V AC,DC
- Temperature range:-40°C~+105°C
- Contact resistance:30mΩMax.
- Insulation resistance:1000MΩMin.
- Withstanding voltage:800V AC/minute
- *Compliant with RoHS and REACH*
- *Meet the HF/Halogen Free,need to customize*
- *Contact CJT for details*

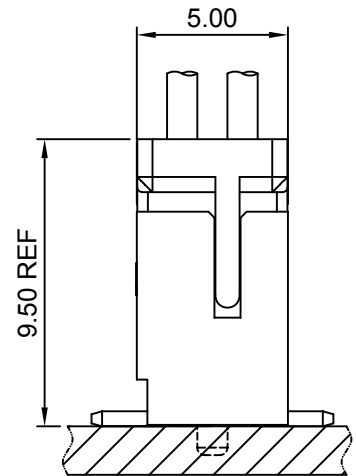
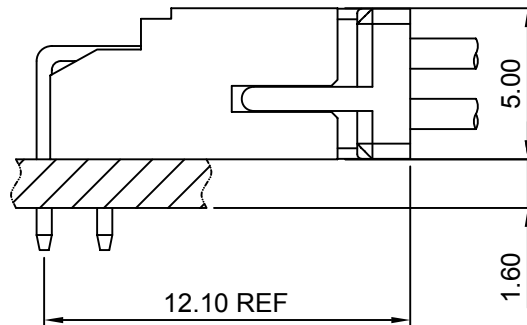
Standards



Assembly layout



DIP TYPE



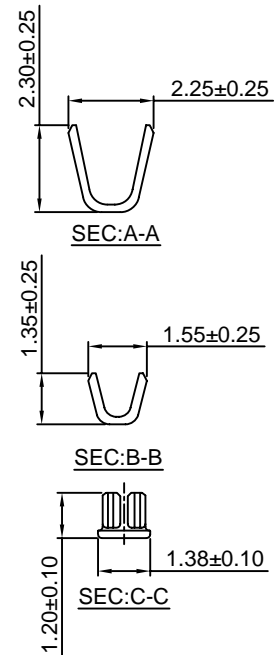
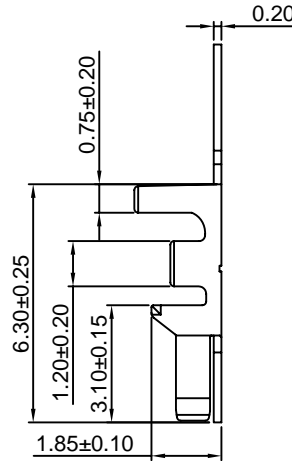
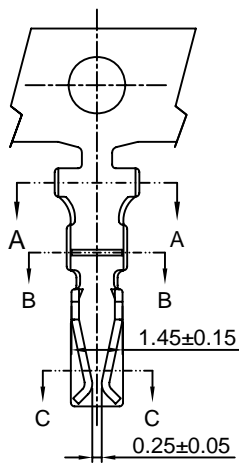
SMT TYPE

A2009-T

2.00mm pitch Crimp Terminal

Reference Informations:

*Used in CJT A2009 series Housing



Ordering information & Specifications:

Unit:mm

Part NO.	Wire Range	Insulation O.D.	Material	Finish	Qty/reel
A2009-TP	AWG#22-#30	1.45mm(max)	Phosphor Bronze	Tin over Nickel	10,000 PCS
A2009-GP	AWG#22-#30	1.45mm(max)	Phosphor Bronze	Gold over Nickel	10,000 PCS

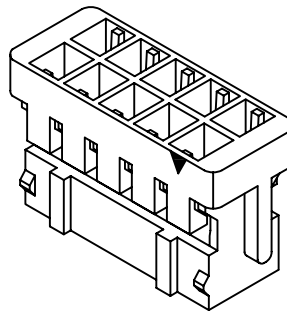
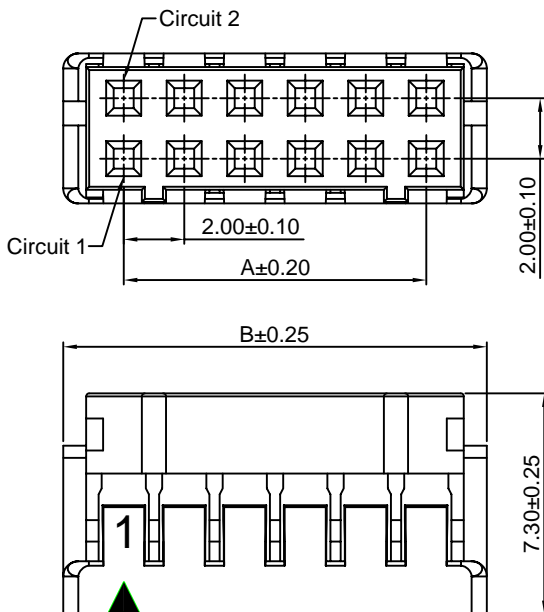
Optional Gold plating available but MOQ requested

A2009H-2

2.00mm pitch Dual Row Housing

Reference Informations:

- *Material:Nylon 66,UL94V-0
- *Suitable CJT A2009 series Terminal
- *Mates with CJT A2009 series Dual Row Wafer
- *Color:Black



Ordering Information & Dimensions:

PART NO.	Dimensions	
	A	B
A2009H-2x2P	2.00	6.00
A2009H-2x3P	4.00	8.00
A2009H-2x4P	6.00	10.00
A2009H-2x5P	8.00	12.00
A2009H-2x6P	10.00	14.00
A2009H-2x7P	12.00	16.00
A2009H-2x8P	14.00	18.00
A2009H-2x9P	16.00	20.00
A2009H-2x10P	18.00	22.00
A2009H-2x11P	20.00	24.00
A2009H-2x12P	22.00	26.00
A2009H-2x13P	24.00	28.00
A2009H-2x14P	26.00	30.00
A2009H-2x15P	28.00	32.00
A2009H-2x16P	30.00	34.00
A2009H-2x17P	32.00	36.00
A2009H-2x18P	34.00	38.00
A2009H-2x19P	36.00	40.00
A2009H-2x20P	38.00	42.00

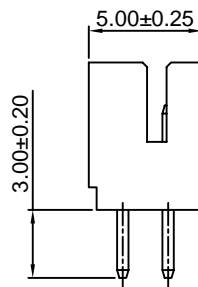
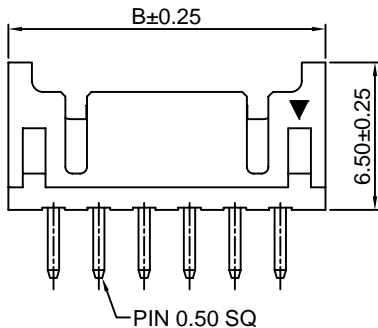
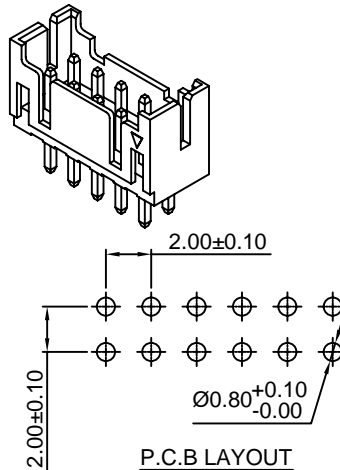
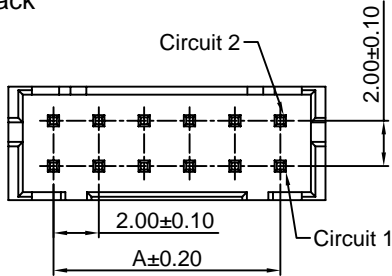
Unit: mm

A2009WV-2

2.00mm pitch 180° Dual Row Wafer

Reference Informations:

- *Material:Pin:Brass/Tin over Nickel
Insulator:Nylon 66,UL94V-0
- *Mates with CJT A2009 series Housing
- *Color:Black



Ordering Information & Dimensions:

PART NO.	Dimensions	
	A	B
A2009WV-2x2P	2.00	6.00
A2009WV-2x3P	4.00	8.00
A2009WV-2x4P	6.00	10.00
A2009WV-2x5P	8.00	12.00
A2009WV-2x6P	10.00	14.00
A2009WV-2x7P	12.00	16.00
A2009WV-2x8P	14.00	18.00
A2009WV-2x9P	16.00	20.00
A2009WV-2x10P	18.00	22.00
A2009WV-2x11P	20.00	24.00
A2009WV-2x12P	22.00	26.00
A2009WV-2x13P	24.00	28.00
A2009WV-2x14P	26.00	30.00
A2009WV-2x15P	28.00	32.00
A2009WV-2x16P	30.00	34.00
A2009WV-2x17P	32.00	36.00
A2009WV-2x18P	34.00	38.00
A2009WV-2x19P	36.00	40.00
A2009WV-2x20P	38.00	42.00

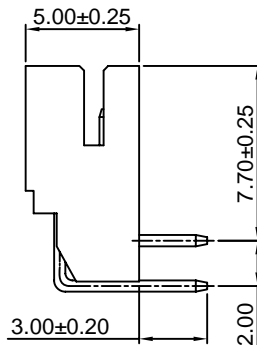
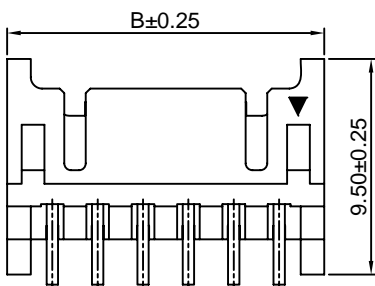
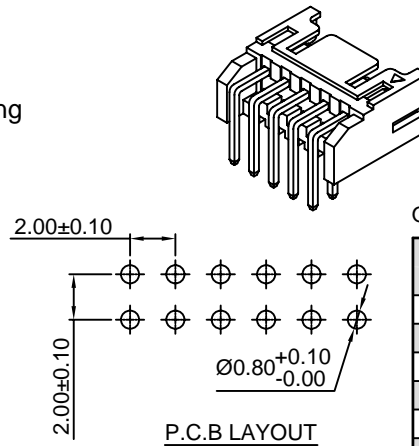
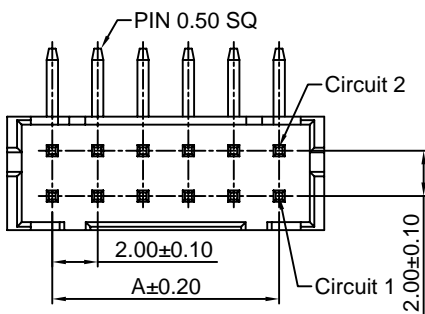
Unit: mm

A2009WR-2

2.00mm pitch 90° Dual Row Wafer

Reference Informations:

- *Material:Pin:Brass/Tin over Nickel
Wafer:Nylon 66,UL94V-0
- *Mates with CJT A2009 series dual row Housing
- *Color:Black



Ordering Information & Dimensions:

PART NO.	Dimensions	
	A	B
A2009WR-2x2P	2.00	6.00
A2009WR-2x3P	4.00	8.00
A2009WR-2x4P	6.00	10.00
A2009WR-2x5P	8.00	12.00
A2009WR-2x6P	10.00	14.00
A2009WR-2x7P	12.00	16.00
A2009WR-2x8P	14.00	18.00
A2009WR-2x9P	16.00	20.00
A2009WR-2x10P	18.00	22.00
A2009WR-2x11P	20.00	24.00
A2009WR-2x12P	22.00	26.00
A2009WR-2x13P	24.00	28.00
A2009WR-2x14P	26.00	30.00
A2009WR-2x15P	28.00	32.00
A2009WR-2x16P	30.00	34.00
A2009WR-2x17P	32.00	36.00
A2009WR-2x18P	34.00	38.00
A2009WR-2x19P	36.00	40.00
A2009WR-2x20P	38.00	42.00

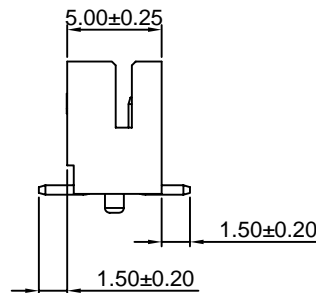
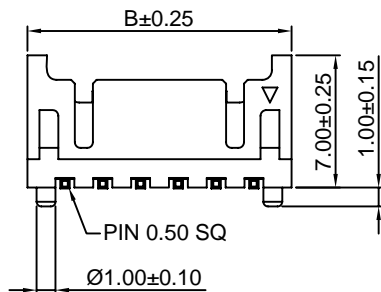
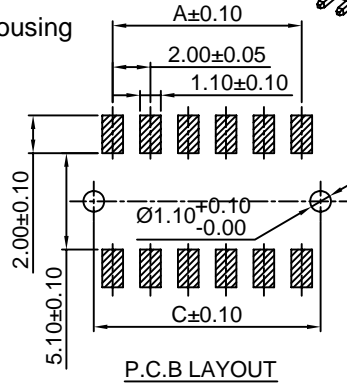
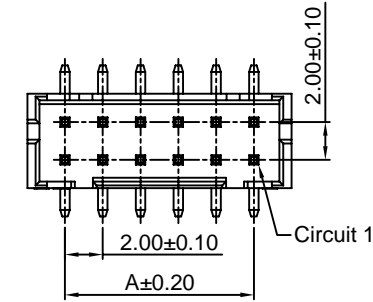
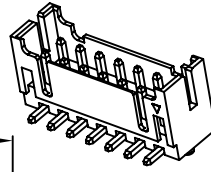
Unit: mm

A2009WVA-S-F-2

2.00mm pitch 180° Dual Row Wafer With Boss-SMT TYPE

Reference Informations:

- *Material: Pin: Brass/Tin over Nickel
Insulator: Nylon 6T, UL94V-0
Cap: Nylon 6T, UL94V-0
- *Mates with CJT A2009 series Dual Row Housing
- *Color: Ivory



Ordering Information & Dimensions:

PART NO.	Dimensions		
	A	B	C
A2009WVA-S-F-2x2P	2.00	6.00	4.00
A2009WVA-S-F-2x3P	4.00	8.00	6.00
A2009WVA-S-F-2x4P	6.00	10.00	8.00
A2009WVA-S-F-2x5P	8.00	12.00	10.00
A2009WVA-S-F-2x6P	10.00	14.00	12.00
A2009WVA-S-F-2x7P	12.00	16.00	14.00
A2009WVA-S-F-2x8P	14.00	18.00	16.00
A2009WVA-S-F-2x9P	16.00	20.00	18.00
A2009WVA-S-F-2x10P	18.00	22.00	20.00
A2009WVA-S-F-2x11P	20.00	24.00	22.00
A2009WVA-S-F-2x12P	22.00	26.00	24.00
A2009WVA-S-F-2x13P	24.00	28.00	26.00
A2009WVA-S-F-2x14P	26.00	30.00	28.00
A2009WVA-S-F-2x15P	28.00	32.00	30.00
A2009WVA-S-F-2x16P	30.00	34.00	32.00
A2009WVA-S-F-2x17P	32.00	36.00	34.00
A2009WVA-S-F-2x18P	34.00	38.00	36.00
A2009WVA-S-F-2x19P	36.00	40.00	38.00
A2009WVA-S-F-2x20P	38.00	42.00	40.00

Unit: mm

X-ON Electronics

Largest Supplier of Electrical and Electronic Components

Click to view similar products for [Headers & Wire Housings](#) category:

Click to view products by [Changjiang](#) manufacturer:

Other Similar products are found below :

[57102-F02-18ULF](#) [58102-G61-06LF](#) [0009485154](#) [009176003701906](#) [0050291907](#) [02.125.8002.8](#) [609-3404](#) [61062-3](#) [622-0430](#) [622-3653LF](#)
[63453-116](#) [636-1030](#) [636-1427](#) [636-3427](#) [636-4007](#) [641938-9](#) [644827-2](#) [65495-038](#) [65692-001LF](#) [65781-018](#) [65781-047](#) [65817-010LF](#)
[65817-015LF](#) [66207-023LF](#) [67016-026LF](#) [67095-007LF](#) [68631-112](#) [68645-018](#) [68648-049](#) [699319-000](#) [70.362.1628.0](#) [70-4210](#) [70-4226B](#)
[70-4853B](#) [707-5020](#) [707-5028](#) [71.350.2428.0](#) [71961-016LF](#) [733-134](#) [754199-000](#) [760-3052](#) [787-8014-00](#) [FCN-367T-T012/H](#) [80.063.4001.1](#)
[800-90-001-10-001000](#) [800-90-010-10-002000](#) [801-43-002-10-013000](#) [801-43-006-10-002000](#) [803-41-018-10-001000](#) [803-43-014-20-](#)
[001000](#)