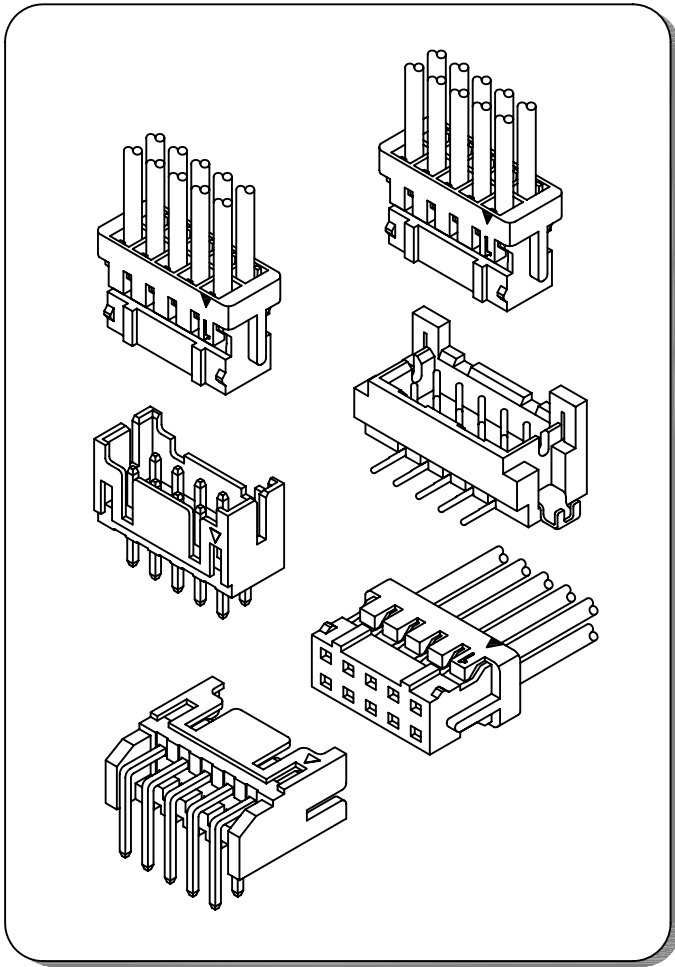


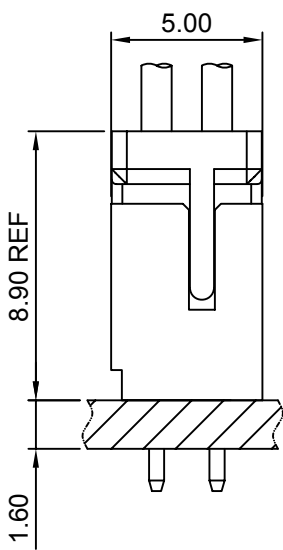
Specifications

- Current rating:2A AC,DC
- Voltage rating:250V AC,DC
- Temperature range:-40°C~+105°C
- Contact resistance:30mΩMax.
- Insulation resistance:1000MΩMin.
- Withstanding voltage:800V AC/minute
- *Compliant with RoHS and REACH*
- *Meet the HF/Halogen Free,need to customize*
- *Contact CJT for details*

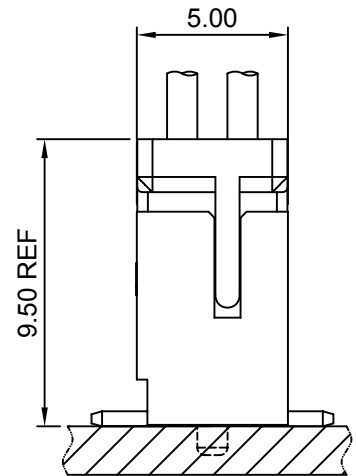
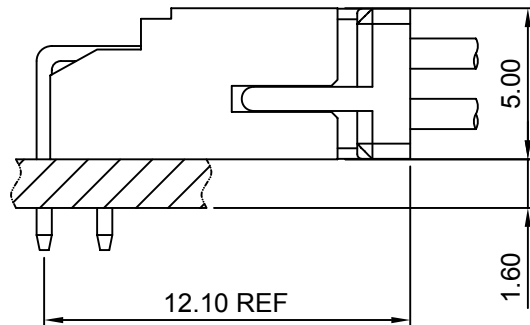
Standards



Assembly layout



DIP TYPE



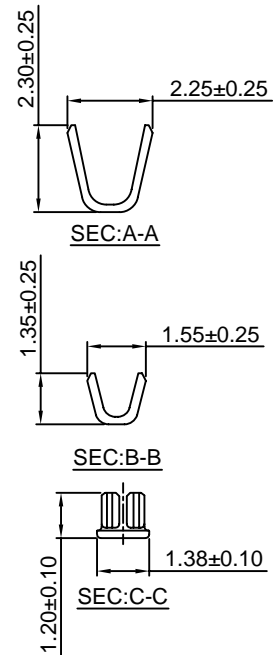
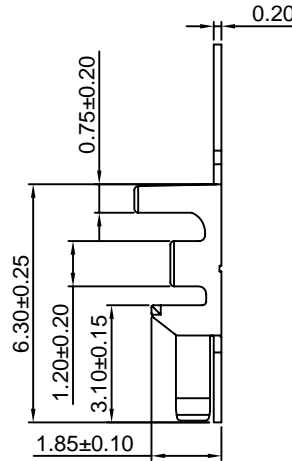
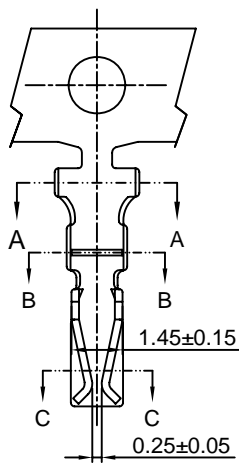
SMT TYPE

A2009-T

2.00mm pitch Crimp Terminal

Reference Informations:

*Used in CJT A2009 series Housing



Ordering information & Specifications:

Unit:mm

| Part NO. | Wire Range | Insulation O.D. | Material | Finish | Qty/reel |
|----------|------------|-----------------|-----------------|------------------|------------|
| A2009-TP | AWG#22-#30 | 1.45mm(max) | Phosphor Bronze | Tin over Nickel | 10,000 PCS |
| A2009-GP | AWG#22-#30 | 1.45mm(max) | Phosphor Bronze | Gold over Nickel | 10,000 PCS |

Optional Gold plating available but MOQ requested

A2009H-2

2.00mm pitch Dual Row Housing

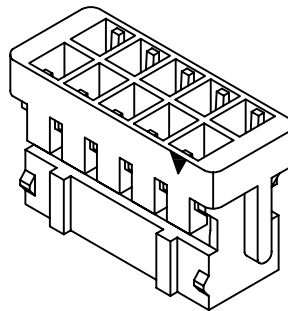
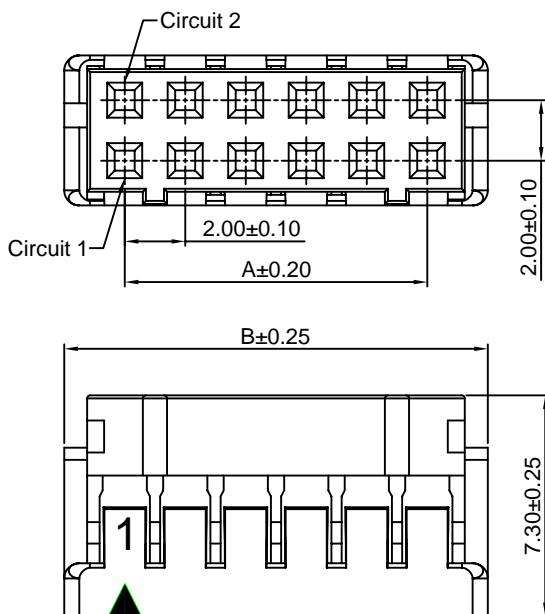
Reference Informations:

*Material:Nylon 66,UL94V-0

*Suitable CJT A2009 series Terminal

*Mates with CJT A2009 series Dual Row Wafer

*Color:Black



Ordering Information & Dimensions:

| PART NO. | Dimensions | |
|--------------|------------|-------|
| | A | B |
| A2009H-2x2P | 2.00 | 6.00 |
| A2009H-2x3P | 4.00 | 8.00 |
| A2009H-2x4P | 6.00 | 10.00 |
| A2009H-2x5P | 8.00 | 12.00 |
| A2009H-2x6P | 10.00 | 14.00 |
| A2009H-2x7P | 12.00 | 16.00 |
| A2009H-2x8P | 14.00 | 18.00 |
| A2009H-2x9P | 16.00 | 20.00 |
| A2009H-2x10P | 18.00 | 22.00 |
| A2009H-2x11P | 20.00 | 24.00 |
| A2009H-2x12P | 22.00 | 26.00 |
| A2009H-2x13P | 24.00 | 28.00 |
| A2009H-2x14P | 26.00 | 30.00 |
| A2009H-2x15P | 28.00 | 32.00 |
| A2009H-2x16P | 30.00 | 34.00 |
| A2009H-2x17P | 32.00 | 36.00 |
| A2009H-2x18P | 34.00 | 38.00 |
| A2009H-2x19P | 36.00 | 40.00 |
| A2009H-2x20P | 38.00 | 42.00 |

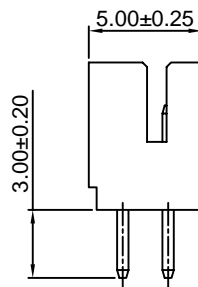
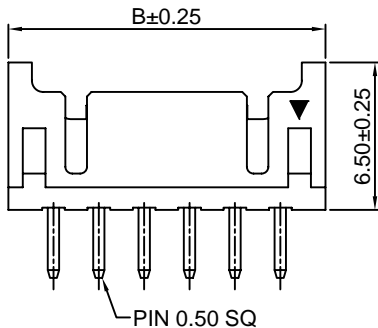
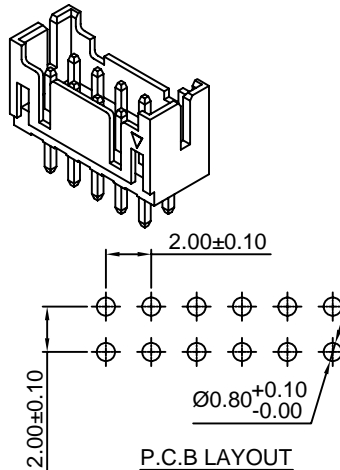
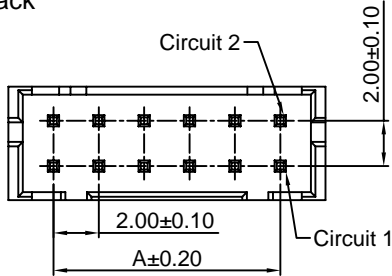
Unit: mm

A2009WV-2

2.00mm pitch 180° Dual Row Wafer

Reference Informations:

- *Material:Pin:Brass/Tin over Nickel
Insulator:Nylon 66,UL94V-0
- *Mates with CJT A2009 series Housing
- *Color:Black



Ordering Information & Dimensions:

| PART NO. | Dimensions | |
|---------------|------------|-------|
| | A | B |
| A2009WV-2x2P | 2.00 | 6.00 |
| A2009WV-2x3P | 4.00 | 8.00 |
| A2009WV-2x4P | 6.00 | 10.00 |
| A2009WV-2x5P | 8.00 | 12.00 |
| A2009WV-2x6P | 10.00 | 14.00 |
| A2009WV-2x7P | 12.00 | 16.00 |
| A2009WV-2x8P | 14.00 | 18.00 |
| A2009WV-2x9P | 16.00 | 20.00 |
| A2009WV-2x10P | 18.00 | 22.00 |
| A2009WV-2x11P | 20.00 | 24.00 |
| A2009WV-2x12P | 22.00 | 26.00 |
| A2009WV-2x13P | 24.00 | 28.00 |
| A2009WV-2x14P | 26.00 | 30.00 |
| A2009WV-2x15P | 28.00 | 32.00 |
| A2009WV-2x16P | 30.00 | 34.00 |
| A2009WV-2x17P | 32.00 | 36.00 |
| A2009WV-2x18P | 34.00 | 38.00 |
| A2009WV-2x19P | 36.00 | 40.00 |
| A2009WV-2x20P | 38.00 | 42.00 |

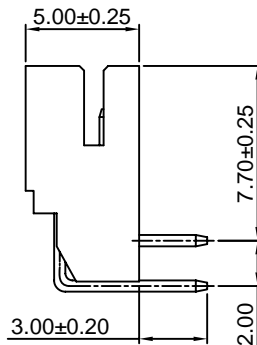
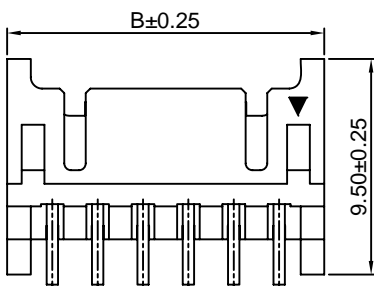
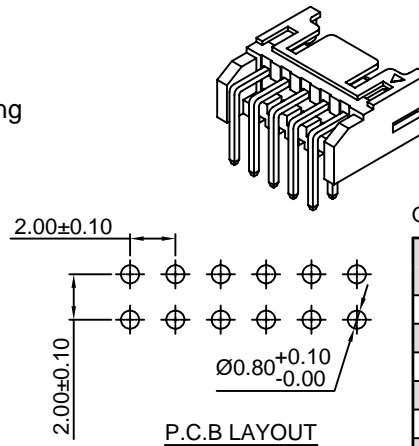
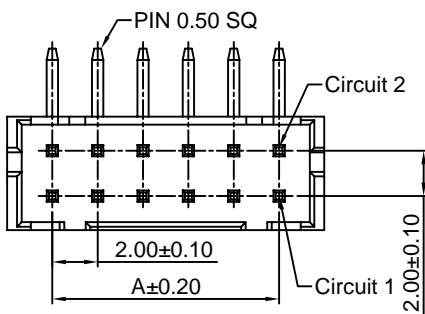
Unit: mm

A2009WR-2

2.00mm pitch 90° Dual Row Wafer

Reference Informations:

- *Material:Pin:Brass/Tin over Nickel
Wafer:Nylon 66,UL94V-0
- *Mates with CJT A2009 series dual row Housing
- *Color:Black



Ordering Information & Dimensions:

| PART NO. | Dimensions | |
|---------------|------------|-------|
| | A | B |
| A2009WR-2x2P | 2.00 | 6.00 |
| A2009WR-2x3P | 4.00 | 8.00 |
| A2009WR-2x4P | 6.00 | 10.00 |
| A2009WR-2x5P | 8.00 | 12.00 |
| A2009WR-2x6P | 10.00 | 14.00 |
| A2009WR-2x7P | 12.00 | 16.00 |
| A2009WR-2x8P | 14.00 | 18.00 |
| A2009WR-2x9P | 16.00 | 20.00 |
| A2009WR-2x10P | 18.00 | 22.00 |
| A2009WR-2x11P | 20.00 | 24.00 |
| A2009WR-2x12P | 22.00 | 26.00 |
| A2009WR-2x13P | 24.00 | 28.00 |
| A2009WR-2x14P | 26.00 | 30.00 |
| A2009WR-2x15P | 28.00 | 32.00 |
| A2009WR-2x16P | 30.00 | 34.00 |
| A2009WR-2x17P | 32.00 | 36.00 |
| A2009WR-2x18P | 34.00 | 38.00 |
| A2009WR-2x19P | 36.00 | 40.00 |
| A2009WR-2x20P | 38.00 | 42.00 |

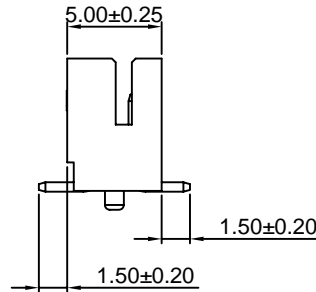
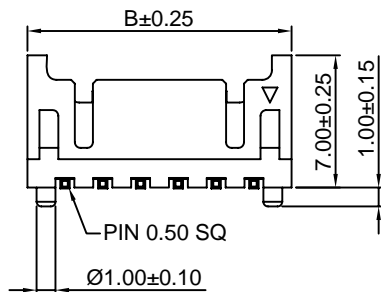
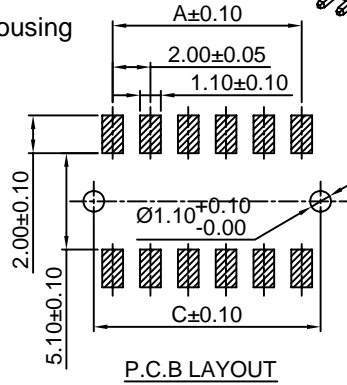
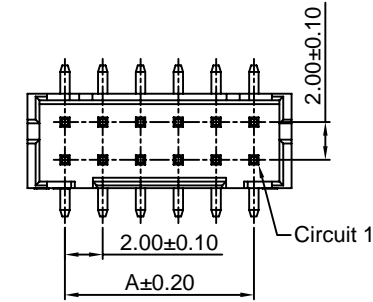
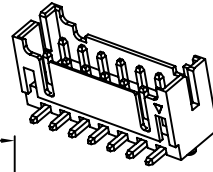
Unit: mm

A2009WVA-S-F-2

2.00mm pitch 180° Dual Row Wafer With Boss-SMT TYPE

Reference Informations:

- *Material: Pin: Brass/Tin over Nickel
Insulator: Nylon 6T, UL94V-0
Cap: Nylon 6T, UL94V-0
- *Mates with CJT A2009 series Dual Row Housing
- *Color: Ivory



Ordering Information & Dimensions:

| PART NO. | Dimensions | | |
|--------------------|------------|-------|-------|
| | A | B | C |
| A2009WVA-S-F-2x2P | 2.00 | 6.00 | 4.00 |
| A2009WVA-S-F-2x3P | 4.00 | 8.00 | 6.00 |
| A2009WVA-S-F-2x4P | 6.00 | 10.00 | 8.00 |
| A2009WVA-S-F-2x5P | 8.00 | 12.00 | 10.00 |
| A2009WVA-S-F-2x6P | 10.00 | 14.00 | 12.00 |
| A2009WVA-S-F-2x7P | 12.00 | 16.00 | 14.00 |
| A2009WVA-S-F-2x8P | 14.00 | 18.00 | 16.00 |
| A2009WVA-S-F-2x9P | 16.00 | 20.00 | 18.00 |
| A2009WVA-S-F-2x10P | 18.00 | 22.00 | 20.00 |
| A2009WVA-S-F-2x11P | 20.00 | 24.00 | 22.00 |
| A2009WVA-S-F-2x12P | 22.00 | 26.00 | 24.00 |
| A2009WVA-S-F-2x13P | 24.00 | 28.00 | 26.00 |
| A2009WVA-S-F-2x14P | 26.00 | 30.00 | 28.00 |
| A2009WVA-S-F-2x15P | 28.00 | 32.00 | 30.00 |
| A2009WVA-S-F-2x16P | 30.00 | 34.00 | 32.00 |
| A2009WVA-S-F-2x17P | 32.00 | 36.00 | 34.00 |
| A2009WVA-S-F-2x18P | 34.00 | 38.00 | 36.00 |
| A2009WVA-S-F-2x19P | 36.00 | 40.00 | 38.00 |
| A2009WVA-S-F-2x20P | 38.00 | 42.00 | 40.00 |

Unit: mm

X-ON Electronics

Largest Supplier of Electrical and Electronic Components

Click to view similar products for [Headers & Wire Housings](#) category:

Click to view products by [Changjiang](#) manufacturer:

Other Similar products are found below :

[57102-F02-18ULF](#) [58102-G61-06LF](#) [0009485154](#) [009176003701906](#) [0050291907](#) [00-9021-0611-00-339](#) [02.125.8002.8](#) [609-3404](#) [61062-3](#)
[622-0430](#) [622-3653LF](#) [63453-116](#) [636-1030](#) [636-1427](#) [636-3427](#) [636-4007](#) [641938-9](#) [644827-2](#) [65495-038](#) [65692-001LF](#) [65781-018](#)
[65781-047](#) [65817-010LF](#) [65817-015LF](#) [66207-023LF](#) [67016-026LF](#) [67095-007LF](#) [68631-112](#) [68645-018](#) [68648-049](#) [699319-000](#)
[70.362.1628.0](#) [70-4210](#) [70-4226B](#) [70-4853B](#) [707-5020](#) [707-5028](#) [71.350.2428.0](#) [71961-016LF](#) [733-134](#) [754199-000](#) [760-3052](#) [787-8014-00](#)
[FCN-367T-T012/H](#) [80.063.4001.1](#) [800-90-001-10-001000](#) [800-90-010-10-002000](#) [801-43-002-10-013000](#) [801-43-006-10-002000](#)
[803-41-018-10-001000](#)