

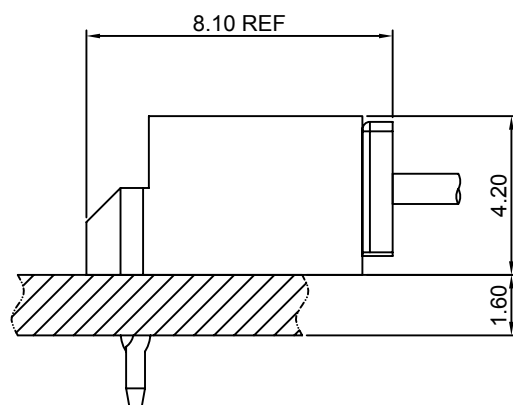
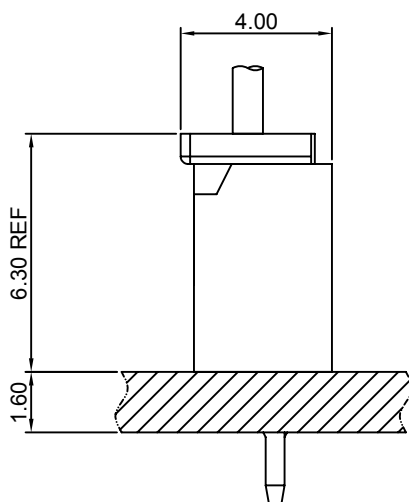
Specifications

Current rating:2A AC,DC
Voltage rating:100V AC,DC
Temperature range:-40°C~+105°C
Contact resistance:10mΩMax.
Insulation resistance:1000MΩMin.
Withstanding voltage:800V AC/minute
Compliant with RoHS and REACH
Meet the HF/Halogen Free,need to customize
Contact CJT for details

Standards



Assembly layout

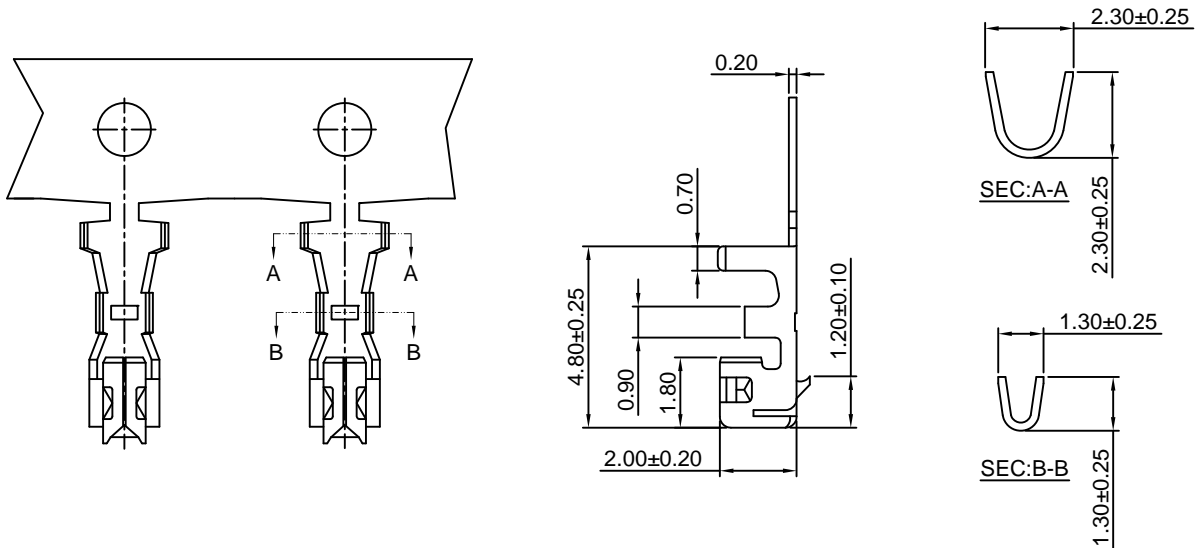


A2010-T

2.00mm Pitch Crimp Terminal

Reference Informations:

*Used in CJT A2010H, HA-XP, A2010HA-2xXP, A2008HA-XP series Housing



Ordering information & Specifications:

Unit:mm

| Part NO. | Wire Range | Insulation O.D. | Material | Finish | Qty/reel |
|----------|------------|-----------------|-----------------|------------------|------------|
| A2010-TP | AWG#24-#30 | 1.40mm(max) | Phosphor Bronze | Tin over Nickel | 10,000 PCS |
| A2010-GP | AWG#24-#30 | 1.40mm(max) | Phosphor Bronze | Gold over Nickel | 10,000 PCS |

Optional Gold plating available but MOQ requested

A2010H-XP

2.00mm Pitch Housing

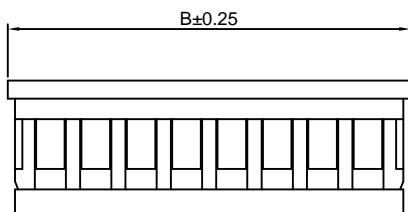
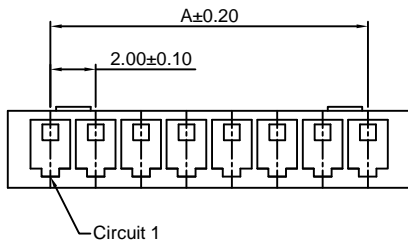
Reference Informations:

*Material:PBT+15%GF,UL94V-0

*Suitable CJT A2010-T series Terminal

*Mates with CJT A2010WV,WR-XP,A2010WV-F-XP series Wafer

*Color:White



Ordering Information:

A2010H-XP - *** - **
1 2 3

1. Part No.

2. Material:

(Blank):PBT+15%GF,UL94V-0

GWT:PBT,UL94V-0,GWT 750 °C

3. Color:

(Blank):White

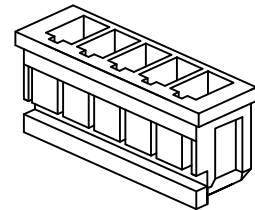
BK:Black

RD:Red

YL:Yellow

BL:Blue

GN:Green



Ordering Information & Dimensions:

| PART NO. | Dimensions | |
|----------|------------|-------|
| | A | B |
| 2P | 2.00 | 5.80 |
| 3P | 4.00 | 7.80 |
| 4P | 6.00 | 9.80 |
| 5P | 8.00 | 11.80 |
| 6P | 10.00 | 13.80 |
| 7P | 12.00 | 15.80 |
| 8P | 14.00 | 17.80 |
| 9P | 16.00 | 19.80 |
| 10P | 18.00 | 21.80 |
| 11P | 20.00 | 23.80 |
| 12P | 22.00 | 25.80 |
| 13P | 24.00 | 27.80 |
| 14P | 26.00 | 29.80 |
| 15P | 28.00 | 31.80 |

Unit: mm

A2010HA-XP

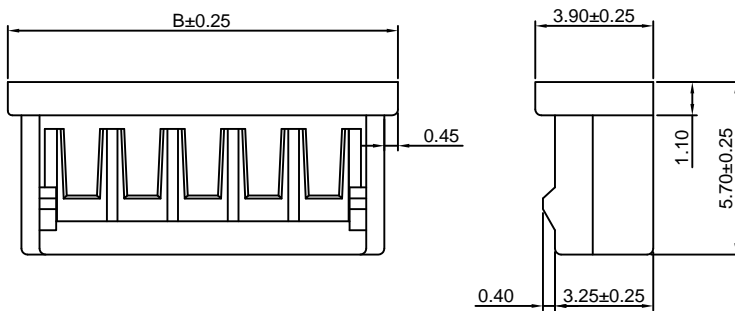
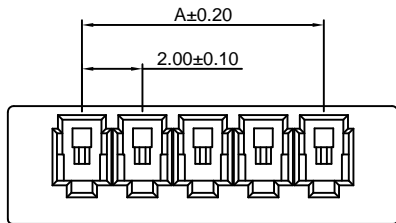
2.00mm Pitch Housing

Reference Informations:

*Material:PBT+15%GF,UL94V-0

*Suitable CJT A2010-T series Terminal

*Color:White



Ordering Information:

A2010HA-XP - ***
1 2

1. Part No.

2. Material:

(Blank):PBT+15%GF,UL94V-0

GWT:PBT,UL94V-0,GWT 750°C

Ordering Information & Dimensions:

| PART NO. | Dimensions | |
|----------|------------|-------|
| | A | B |
| 2P | 2.00 | 6.90 |
| 3P | 4.00 | 8.90 |
| 4P | 6.00 | 10.90 |
| 5P | 8.00 | 12.90 |
| 6P | 10.00 | 14.90 |
| 7P | 12.00 | 16.90 |
| 8P | 14.00 | 18.90 |
| 9P | 16.00 | 20.90 |
| 10P | 18.00 | 22.90 |
| 11P | 20.00 | 24.90 |
| 12P | 22.00 | 26.90 |
| 13P | 24.00 | 28.90 |
| 14P | 26.00 | 30.90 |
| 15P | 28.00 | 32.90 |

Unit: mm

A2010HA-2xXP

2.00mm Pitch Dual Row Housing

Reference Informations:

- *Material: Nylon 66, UL94V-0
- *Suitable CJT A2010-T series Terminal
- *Mates with CJT A2010WVA-F-2xXP, A2012WVB-F-2xXP series Dual Row Wafer
- *Color: Gray



Ordering Information:

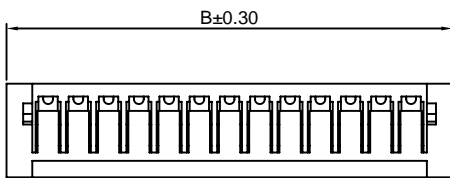
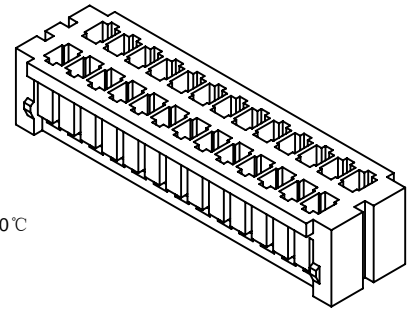
A2010HA-2xXP - ***
1 / 2

1. Part No.

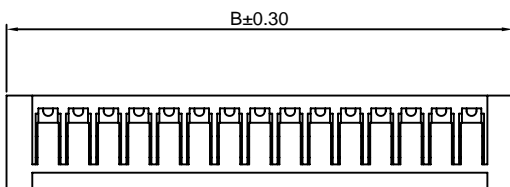
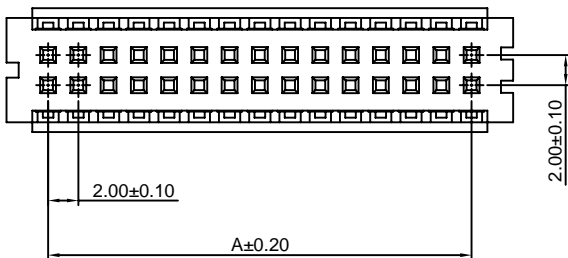
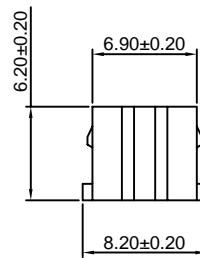
2. Material:

(Blank): Nylon 66, UL94V-0

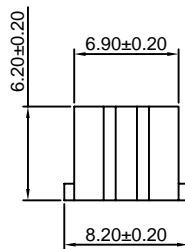
GWT: Nylon 66, UL94V-0, GWT 750 °C



2x5P~2x14P



2x15P~2x30P



Ordering Information & Dimensions:

| PART NO. | Dimensions | |
|----------|------------|-------|
| | A | B |
| 2x5P | 8.00 | 13.50 |
| 2x6P | 10.00 | 15.50 |
| 2x7P | 12.00 | 17.50 |
| 2x8P | 14.00 | 19.50 |
| 2x9P | 16.00 | 21.50 |
| 2x10P | 18.00 | 23.50 |
| 2x11P | 20.00 | 25.50 |
| 2x12P | 22.00 | 27.50 |
| 2x13P | 24.00 | 29.50 |
| 2x14P | 26.00 | 31.50 |
| 2x15P | 28.00 | 33.50 |
| 2x16P | 30.00 | 35.50 |
| 2x17P | 32.00 | 37.50 |
| 2x20P | 38.00 | 43.50 |
| 2x25P | 48.00 | 53.50 |
| 2x30P | 58.00 | 63.50 |

Unit: mm

A2010WV-XP

2.00mm Pitch 180° Wafer

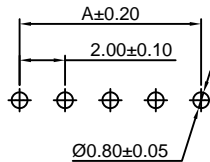
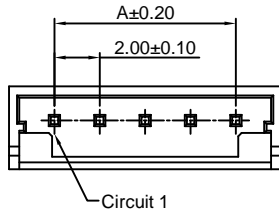
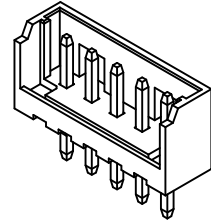
Reference Informations:

- *Material:Pin:Brass/Tin over Nickel
Insulator:Nylon 66+30%GF,UL94V-0
- *Mates with CJT A2010H-XP series Housing
- *Color:White

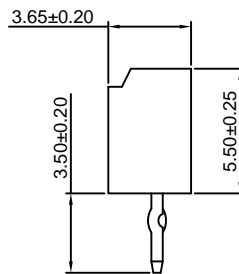
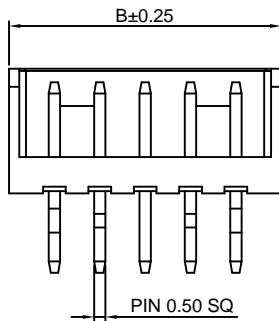
Ordering Information:

A2010WV-XP - *** - **
1 2 3

- 1.Part No.
- 2.Material:
(Blank):Nylon 66+30%GF,UL94V-0
GWT:Nylon 66,UL94V-0,GWT 750 °C
- 3.Color:
(Blank):White
BK:Black
RD:Red
YL:Yellow
BL:Blue
GN:Green



P.C.B LAYOUT



Ordering Information & Dimensions:

| PART NO. | Dimensions | |
|----------|------------|-------|
| | A | B |
| 2P | 2.00 | 6.00 |
| 3P | 4.00 | 8.00 |
| 4P | 6.00 | 10.00 |
| 5P | 8.00 | 12.00 |
| 6P | 10.00 | 14.00 |
| 7P | 12.00 | 16.00 |
| 8P | 14.00 | 18.00 |
| 9P | 16.00 | 20.00 |
| 10P | 18.00 | 22.00 |
| 11P | 20.00 | 24.00 |
| 12P | 22.00 | 26.00 |
| 13P | 24.00 | 28.00 |
| 14P | 26.00 | 30.00 |
| 15P | 28.00 | 32.00 |

Unit: mm

A2010WR-XP

2.00mm Pitch 90° Wafer

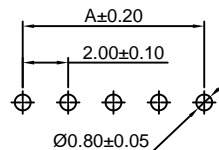
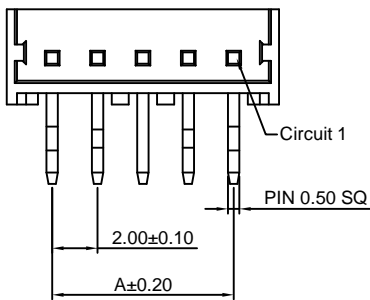
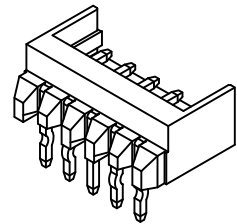
Reference Informations:

- *Material:Pin:Brass/Tin over Nickel
Insulator:Nylon 66+30%GF,UL94V-0
- *Mates with CJT A2010H-XP series Housing
- *Color:White

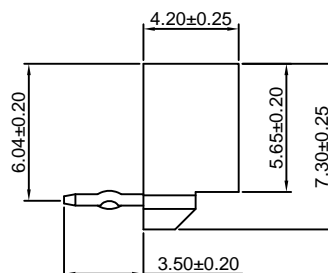
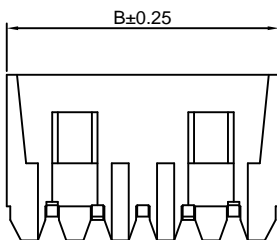
Ordering Information:

A2010WR-XP - *** - **
1 2 3

- 1.Part No.
- 2.Material:
(Blank):Nylon 66+30%GF,UL94V-0
GWT:Nylon 66,UL94V-0,GWT 750 °C
- 3.Color:
(Blank):White
BK:Black
RD:Red
YL:Yellow
BL:Blue
GN:Green



P.C.B LAYOUT



Ordering Information & Dimensions:

| PART NO. | Dimensions | |
|----------|------------|-------|
| | A | B |
| 2P | 2.00 | 6.00 |
| 3P | 4.00 | 8.00 |
| 4P | 6.00 | 10.00 |
| 5P | 8.00 | 12.00 |
| 6P | 10.00 | 14.00 |
| 7P | 12.00 | 16.00 |
| 8P | 14.00 | 18.00 |
| 9P | 16.00 | 20.00 |
| 10P | 18.00 | 22.00 |
| 11P | 20.00 | 24.00 |
| 12P | 22.00 | 26.00 |
| 13P | 24.00 | 28.00 |
| 14P | 26.00 | 30.00 |
| 15P | 28.00 | 32.00 |

Unit: mm

A2010WV-F-XP

2.00mm Pitch 180° Wafer

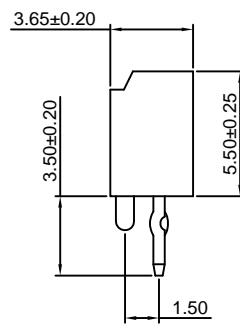
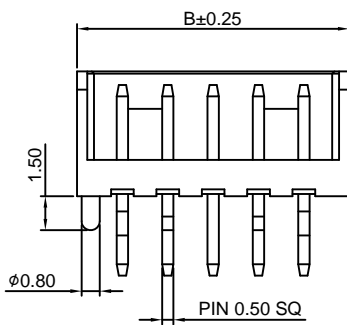
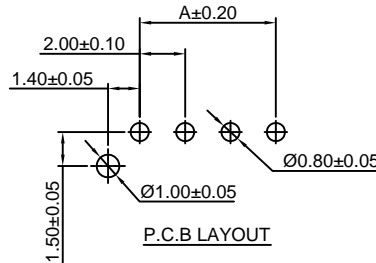
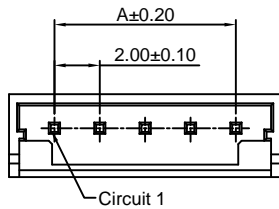
Reference Informations:

- *Material:Pin:Brass/Tin over Nickel
Insulator:Nylon 66+30%GF,UL94V-0
- *Mates with CJT A2010H-XP series Housing
- *Color:White

Ordering Information:

A2010WV-F-XP - *** - **
1 2 3

- Part No.
- Material:
(Blank):Nylon 66+30%GF,UL94V-0
GWT:Nylon 66,UL94V-0,GWT 750 °C
- Color:
(Blank):White
BK:Black
RD:Red
YL:Yellow
BL:Blue
GN:Green



Ordering Information & Dimensions:

| PART NO. | Dimensions | |
|----------|------------|-------|
| | A | B |
| 2P | 2.00 | 6.00 |
| 3P | 4.00 | 8.00 |
| 4P | 6.00 | 10.00 |
| 5P | 8.00 | 12.00 |
| 6P | 10.00 | 14.00 |
| 7P | 12.00 | 16.00 |
| 8P | 14.00 | 18.00 |
| 9P | 16.00 | 20.00 |
| 10P | 18.00 | 22.00 |
| 11P | 20.00 | 24.00 |
| 12P | 22.00 | 26.00 |
| 13P | 24.00 | 28.00 |
| 14P | 26.00 | 30.00 |
| 15P | 28.00 | 32.00 |

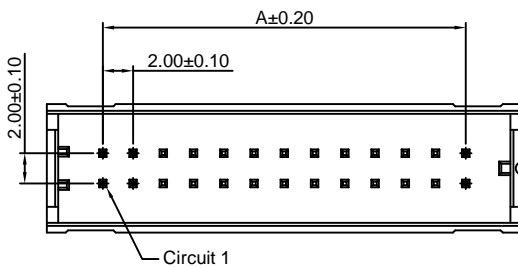
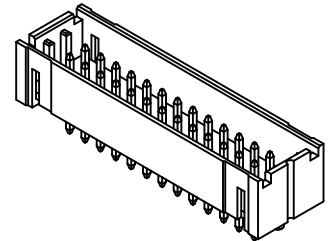
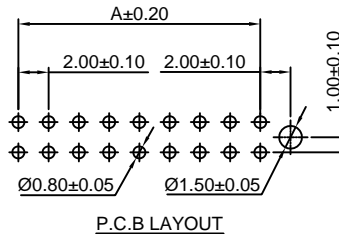
Unit: mm

A2010WVA-F-2xXP

2.00mm Pitch 180° Dual Row Wafer

Reference Informations:

- *Material:Pin:Brass/Tin over Nickel
Insulator:Nylon 66,UL94V-0
- *Mates with CJT A2010HA-2xXP series Dual Row Housing
- *Color:Gray



Ordering Information:

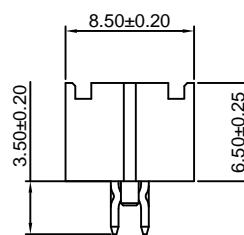
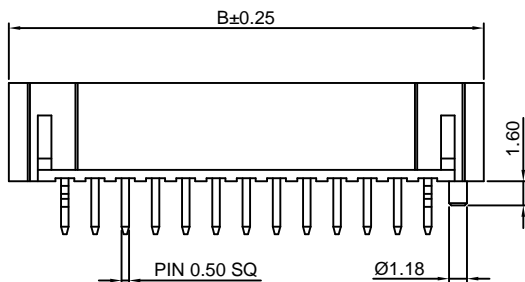
A2010WVA-F-2xXP - ***
1 2

- Part No.
- Material:
(Blank):Nylon 66,UL94V-0
GWT:Nylon 66,UL94V-0,GWT 750 °C

Ordering Information & Dimensions:

| PART NO. | Dimensions | |
|----------|------------|-------|
| | A | B |
| 2x2P | 2.00 | 9.40 |
| 2x3P | 4.00 | 11.40 |
| 2x4P | 6.00 | 13.40 |
| 2x5P | 8.00 | 15.40 |
| 2x6P | 10.00 | 17.40 |
| 2x7P | 12.00 | 19.40 |
| 2x8P | 14.00 | 21.40 |
| 2x9P | 16.00 | 23.40 |
| 2x10P | 18.00 | 25.40 |
| 2x11P | 20.00 | 27.40 |
| 2x12P | 22.00 | 29.40 |
| 2x13P | 24.00 | 31.40 |
| 2x14P | 26.00 | 33.40 |
| 2x15P | 28.00 | 35.40 |
| 2x16P | 30.00 | 37.40 |
| 2x17P | 32.00 | 39.40 |
| 2x20P | 38.00 | 45.40 |
| 2x25P | 48.00 | 55.40 |
| 2x30P | 58.00 | 65.40 |

Unit: mm



X-ON Electronics

Largest Supplier of Electrical and Electronic Components

Click to view similar products for [Headers & Wire Housings](#) category:

Click to view products by [Changjiang](#) manufacturer:

Other Similar products are found below :

[57102-F02-18ULF](#) [58102-G61-06LF](#) [0009485154](#) [009176003701906](#) [0050291907](#) [00-9021-0611-00-339](#) [02.125.8002.8](#) [609-3404](#) [61062-3](#)
[622-0430](#) [622-3653LF](#) [63453-116](#) [636-1030](#) [636-1427](#) [636-3427](#) [636-4007](#) [641938-9](#) [644827-2](#) [65495-038](#) [65692-001LF](#) [65781-018](#)
[65781-047](#) [65817-010LF](#) [65817-015LF](#) [66207-023LF](#) [67016-026LF](#) [67095-007LF](#) [68631-112](#) [68645-018](#) [68648-049](#) [699319-000](#)
[70.362.1628.0](#) [70-4210](#) [70-4226B](#) [70-4853B](#) [707-5020](#) [707-5028](#) [71.350.2428.0](#) [71961-016LF](#) [733-134](#) [754199-000](#) [760-3052](#) [787-8014-00](#)
[FCN-367T-T012/H](#) [80.063.4001.1](#) [800-90-001-10-001000](#) [800-90-010-10-002000](#) [801-43-002-10-013000](#) [801-43-006-10-002000](#)
[803-41-018-10-001000](#)