

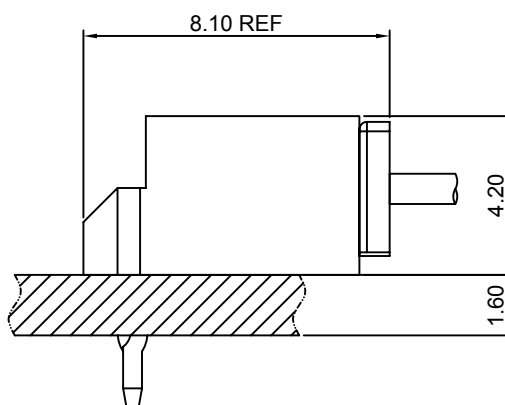
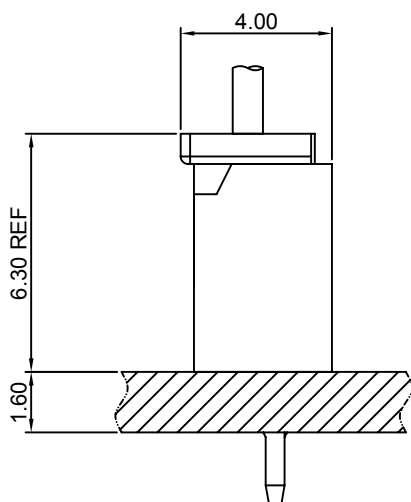
Specifications

- Current rating: 2A AC, DC
- Voltage rating: 100V AC, DC
- Temperature range: -40°C ~ +105°C
- Contact resistance: 10mΩ Max.
- Insulation resistance: 1000MΩ Min.
- Withstanding voltage: 800V AC/minute
- *Compliant with RoHS and REACH*
- *Meet the HF/Halogen Free, need to customize*
- *Contact CJT for details*

Standards



Assembly layout

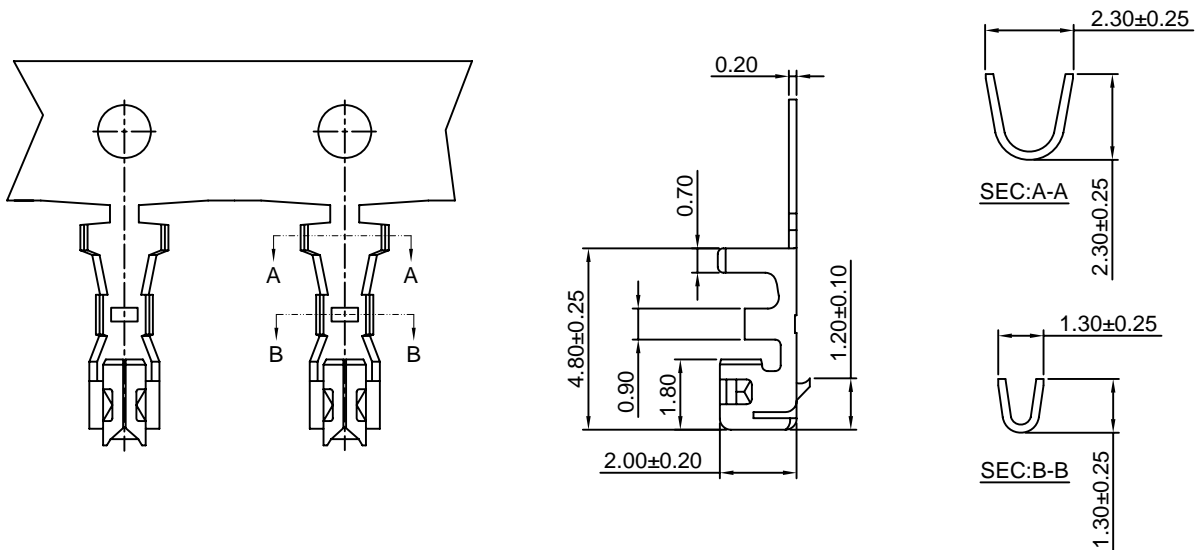


A2010-T

2.00mm Pitch Crimp Terminal

Reference Informations:

*Used in CJT A2010 series Housing



Ordering information & Specifications:

Unit:mm

| Part NO. | Wire Range | Insulation O.D. | Material | Finish | Qty/reel |
|----------|------------|-----------------|-----------------|------------------|------------|
| A2010-TP | AWG#24-#30 | 1.40mm(max) | Phosphor Bronze | Tin over Nickel | 10,000 PCS |
| A2010-GP | AWG#24-#30 | 1.40mm(max) | Phosphor Bronze | Gold over Nickel | 10,000 PCS |

Optional Gold plating available but MOQ requested

A2010H

2.00mm Pitch Housing

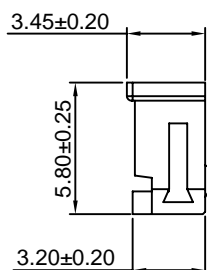
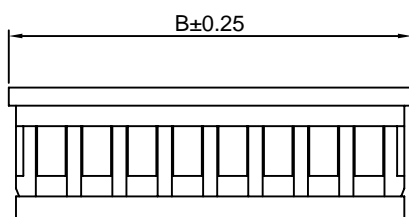
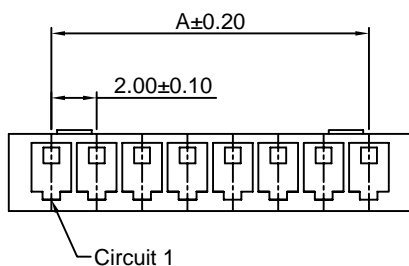
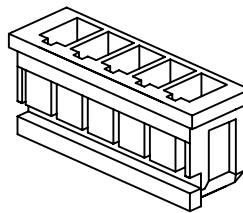
Reference Informations:

*Material:Nylon 66,UL94V-0

*Suitable CJT A2010 series Terminal

*Mates with CJT A2010 series Wafer

*Color:White



Ordering Information & Dimensions:

| PART NO. | Dimensions | |
|------------|------------|-------|
| | A | B |
| A2010H-2P | 2.00 | 5.80 |
| A2010H-3P | 4.00 | 7.80 |
| A2010H-4P | 6.00 | 9.80 |
| A2010H-5P | 8.00 | 11.80 |
| A2010H-6P | 10.00 | 13.80 |
| A2010H-7P | 12.00 | 15.80 |
| A2010H-8P | 14.00 | 17.80 |
| A2010H-9P | 16.00 | 19.80 |
| A2010H-10P | 18.00 | 21.80 |
| A2010H-11P | 20.00 | 23.80 |
| A2010H-12P | 22.00 | 25.80 |
| A2010H-13P | 24.00 | 27.80 |
| A2010H-14P | 26.00 | 29.80 |
| A2010H-15P | 28.00 | 31.80 |

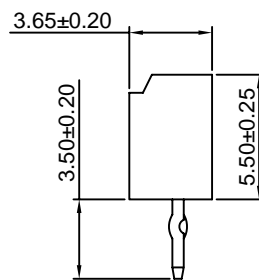
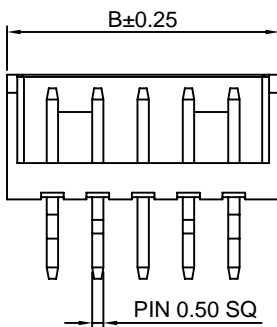
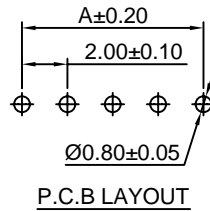
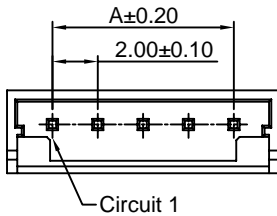
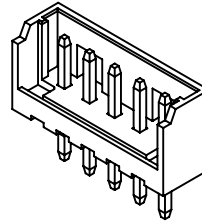
Unit: mm

A2010WV

2.00mm Pitch 180° Wafer

Reference Informations:

- *Material:Pin:Brass/Tin over Nickel
Insulator:Nylon 66,UL94V-0
- *Mates with CJT A2010 series Housing
- *Color:White



Ordering Information & Dimensions:

| PART NO. | Dimensions | |
|-------------|------------|-------|
| | A | B |
| A2010WV-2P | 2.00 | 6.00 |
| A2010WV-3P | 4.00 | 8.00 |
| A2010WV-4P | 6.00 | 10.00 |
| A2010WV-5P | 8.00 | 12.00 |
| A2010WV-6P | 10.00 | 14.00 |
| A2010WV-7P | 12.00 | 16.00 |
| A2010WV-8P | 14.00 | 18.00 |
| A2010WV-9P | 16.00 | 20.00 |
| A2010WV-10P | 18.00 | 22.00 |
| A2010WV-11P | 20.00 | 24.00 |
| A2010WV-12P | 22.00 | 26.00 |
| A2010WV-13P | 24.00 | 28.00 |
| A2010WV-14P | 26.00 | 30.00 |
| A2010WV-15P | 28.00 | 32.00 |

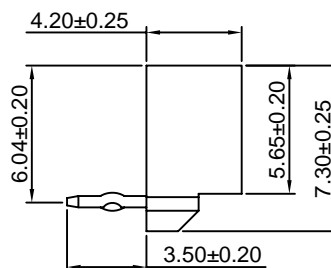
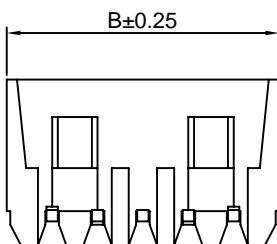
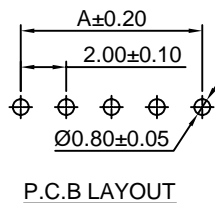
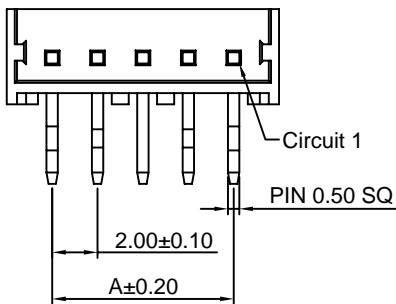
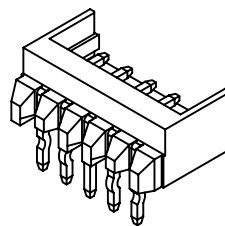
Unit: mm

A2010WR

2.54mm Pitch 90° Wafer

Reference Informations:

- *Material:Pin:Brass/Tin over Nickel
Insulator:Nylon 66,UL94V-0
- *Mates with CJT A2010 series Housing
- *Color:White



Ordering Information & Dimensions:

| PART NO. | Dimensions | |
|-------------|------------|-------|
| | A | B |
| A2010WR-2P | 2.00 | 6.00 |
| A2010WR-3P | 4.00 | 8.00 |
| A2010WR-4P | 6.00 | 10.00 |
| A2010WR-5P | 8.00 | 12.00 |
| A2010WR-6P | 10.00 | 14.00 |
| A2010WR-7P | 12.00 | 16.00 |
| A2010WR-8P | 14.00 | 18.00 |
| A2010WR-9P | 16.00 | 20.00 |
| A2010WR-10P | 18.00 | 22.00 |
| A2010WR-11P | 20.00 | 24.00 |
| A2010WR-12P | 22.00 | 26.00 |
| A2010WR-13P | 24.00 | 28.00 |
| A2010WR-14P | 26.00 | 30.00 |
| A2010WR-15P | 28.00 | 32.00 |

Unit: mm

A2010HA-2

2.00mm Pitch Dual Row Housing

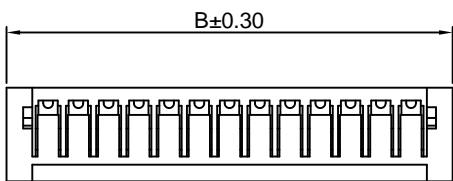
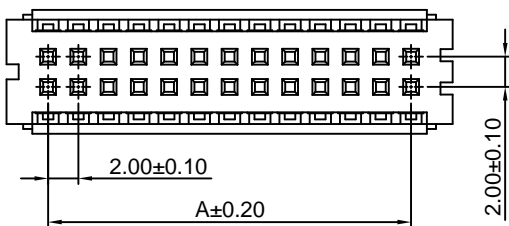
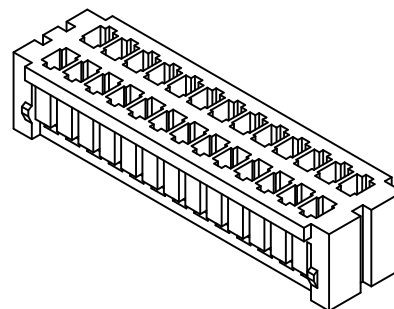
Reference Informations:

*Material:Nylon 66,UL94V-0

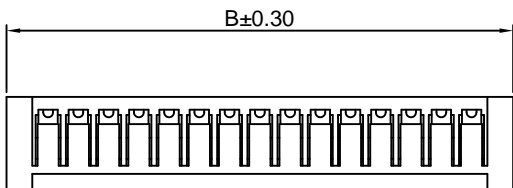
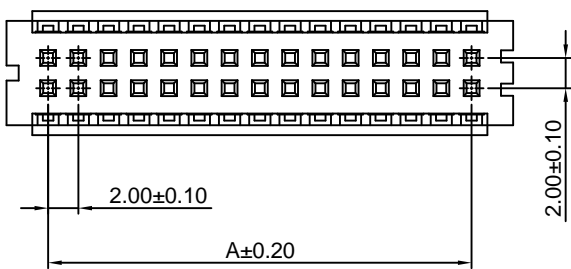
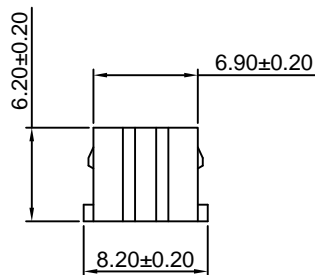
*Suitable CJT A2010 series Terminal

*Mates with CJT A2010WVA-2xXP , A2012WVB-2xXP series Dual Row Wafer

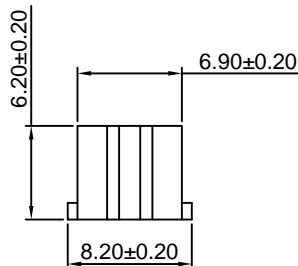
*Color:Gray



2x5P~2x14P



2x15P~2x30P



Ordering Information & Dimensions:

| PART NO. | Dimensions | |
|--------------|------------|-------|
| | A | B |
| A2010H-2x5P | 8.00 | 13.50 |
| A2010H-2x6P | 10.00 | 15.50 |
| A2010H-2x7P | 12.00 | 17.50 |
| A2010H-2x8P | 14.00 | 19.50 |
| A2010H-2x9P | 16.00 | 21.50 |
| A2010H-2x10P | 18.00 | 23.50 |
| A2010H-2x11P | 20.00 | 25.50 |
| A2010H-2x12P | 22.00 | 27.50 |
| A2010H-2x13P | 24.00 | 29.50 |
| A2010H-2x14P | 26.00 | 31.50 |
| A2010H-2x15P | 28.00 | 33.50 |
| A2010H-2x16P | 30.00 | 35.50 |
| A2010H-2x17P | 32.00 | 37.50 |
| A2010H-2x20P | 38.00 | 43.50 |
| A2010H-2x25P | 48.00 | 53.50 |
| A2010H-2x30P | 58.00 | 63.50 |

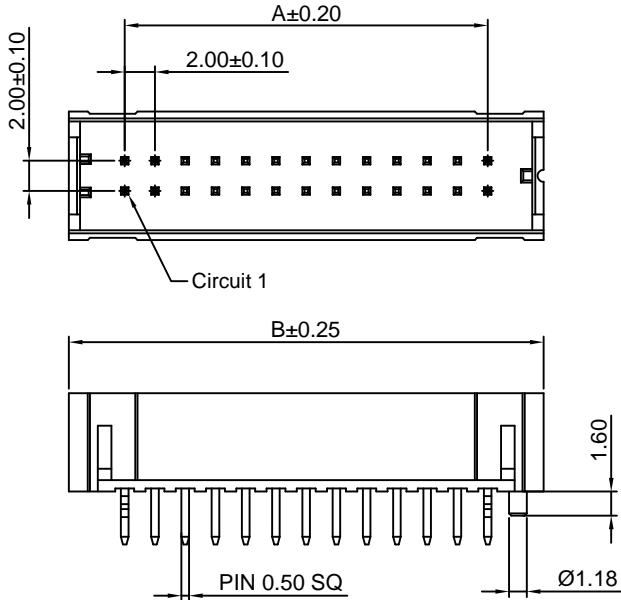
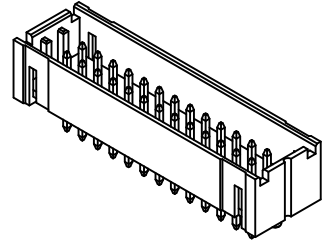
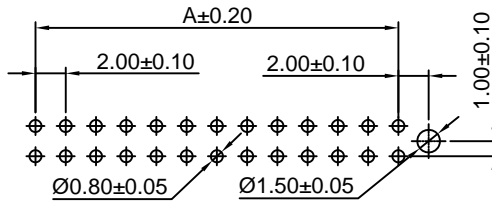
Unit: mm

A2010WVA-2

2.00mm Pitch 180° Dual Row Wafer

Reference Informations:

- *Material: Pin: Brass/Tin over Nickel
Insulator: Nylon 66, UL94V-0
- *Mates with CJT A2010HA-2xXP series Dual Row Housing
- *Color: Gray



P.C.B LAYOUT

Ordering Information & Dimensions:

| PART NO. | Dimensions | |
|----------------|------------|-------|
| | A | B |
| A2010WVA-2x2P | 2.00 | 9.40 |
| A2010WVA-2x3P | 4.00 | 11.40 |
| A2010WVA-2x4P | 6.00 | 13.40 |
| A2010WVA-2x5P | 8.00 | 15.40 |
| A2010WVA-2x6P | 10.00 | 17.40 |
| A2010WVA-2x7P | 12.00 | 19.40 |
| A2010WVA-2x8P | 14.00 | 21.40 |
| A2010WVA-2x9P | 16.00 | 23.40 |
| A2010WVA-2x10P | 18.00 | 25.40 |
| A2010WVA-2x11P | 20.00 | 27.40 |
| A2010WVA-2x12P | 22.00 | 29.40 |
| A2010WVA-2x13P | 24.00 | 31.40 |
| A2010WVA-2x14P | 26.00 | 33.40 |
| A2010WVA-2x15P | 28.00 | 35.40 |
| A2010WVA-2x16P | 30.00 | 37.40 |
| A2010WVA-2x17P | 32.00 | 39.40 |
| A2010WVA-2x20P | 38.00 | 45.40 |
| A2010WVA-2x25P | 48.00 | 55.40 |
| A2010WVA-2x30P | 58.00 | 65.40 |

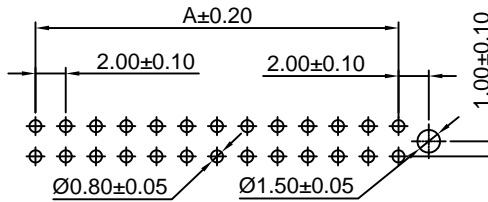
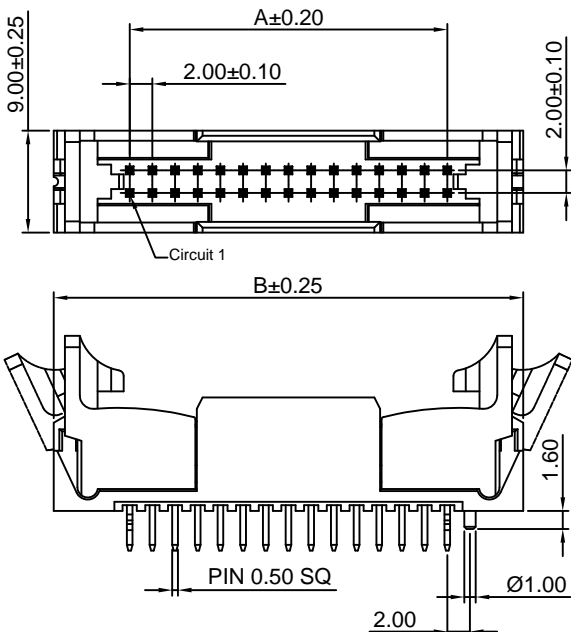
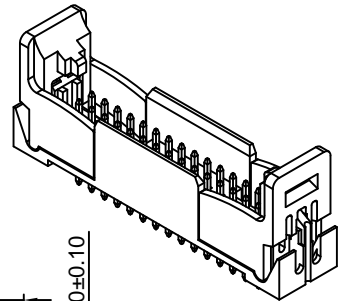
Unit: mm

A2010WVB-2

2.00mm Pitch 180° Dual Row Wafer

Reference Informations:

- *Material: Pin: Brass/Tin over Nickel
Insulator: Nylon 66, UL94V-0
- *Mates with CJT A2010HA-2xXP series Dual Row Housing
- *Color: Gray



P.C.B LAYOUT

Ordering Information & Dimensions:

| PART NO. | Dimensions | |
|----------------|------------|-------|
| | A | B |
| A2010WVB-2x15P | 28.00 | 41.40 |
| A2010WVB-2x17P | 32.00 | 45.40 |
| A2010WVB-2x20P | 38.00 | 47.40 |
| A2010WVB-2x25P | 45.00 | 49.40 |
| A2010WVB-2x30P | 58.00 | 51.40 |

Unit: mm

X-ON Electronics

Largest Supplier of Electrical and Electronic Components

Click to view similar products for [Headers & Wire Housings](#) category:

Click to view products by [Changjiang](#) manufacturer:

Other Similar products are found below :

[57102-F02-18ULF](#) [58102-G61-06LF](#) [582553-1](#) [009176003701906](#) [0050291907](#) [02.125.8002.8](#) [609-3404](#) [61062-3](#) [622-0430](#) [622-3653LF](#)
[63453-116](#) [636-1030](#) [636-1427](#) [636-3427](#) [636-4007](#) [641938-9](#) [65495-038](#) [65692-001LF](#) [65781-018](#) [65781-047](#) [65817-010LF](#) [65817-015LF](#)
[66207-023LF](#) [67016-026LF](#) [67095-007LF](#) [68631-112](#) [68645-018](#) [68648-049](#) [699319-000](#) [M90C108951C](#) [70.362.1628.0](#) [70-4210](#) [70-4226B](#)
[70-4853B](#) [707-5020](#) [707-5028](#) [71.350.2428.0](#) [71961-016LF](#) [733-134](#) [754199-000](#) [760-3052](#) [787-8014-00](#) [FCN-367T-T012/H](#)
[80.063.4001.1](#) [800-90-001-10-001000](#) [801-43-002-10-013000](#) [801-43-006-10-002000](#) [803-41-018-10-001000](#) [803-43-014-20-001000](#)
[803-43-024-10-001000](#)