

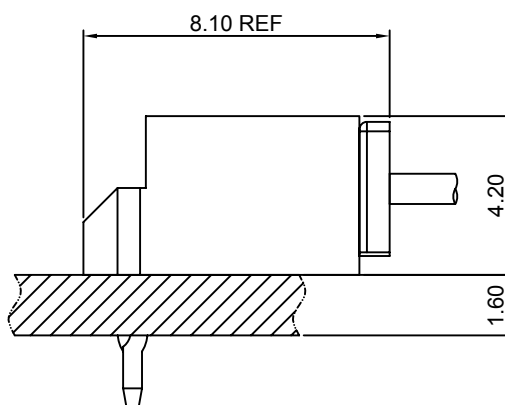
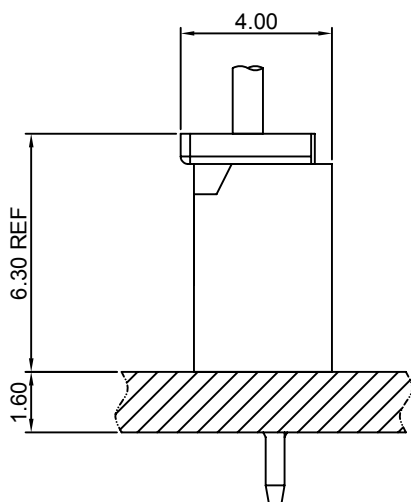
### Specifications

- Current rating: 2A AC, DC
- Voltage rating: 100V AC, DC
- Temperature range: -40°C ~ +105°C
- Contact resistance: 10mΩ Max.
- Insulation resistance: 1000MΩ Min.
- Withstanding voltage: 800V AC/minute
- \*Compliant with RoHS and REACH\*
- \*Meet the HF/Halogen Free, need to customize\*
- \*Contact CJT for details\*

### Standards



### Assembly layout

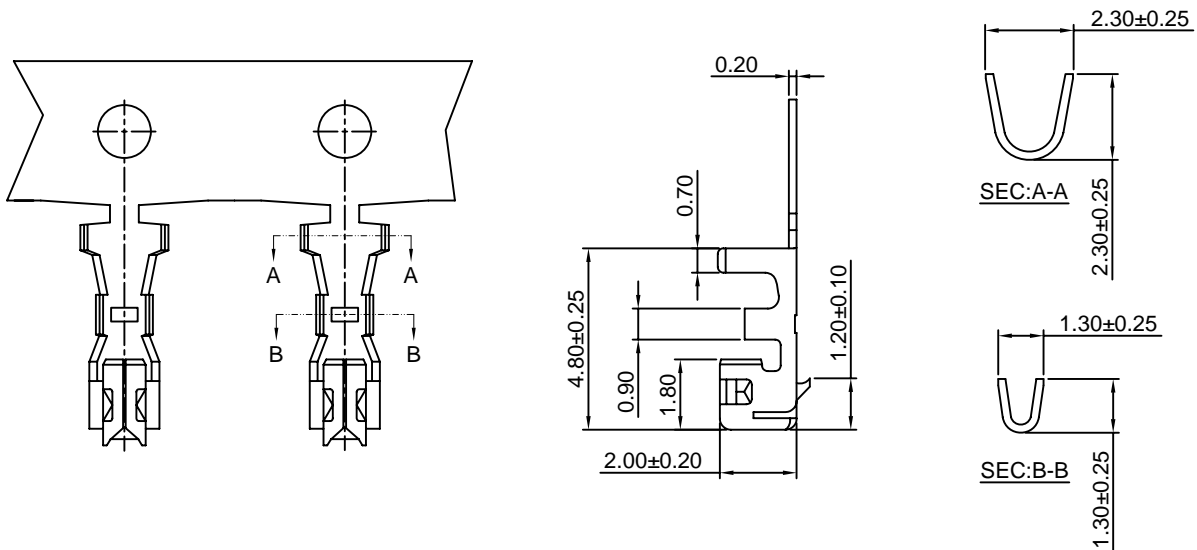


## A2010-T

2.00mm Pitch Crimp Terminal

### Reference Informations:

\*Used in CJT A2010 series Housing



### Ordering information & Specifications:

Unit:mm

Part NO.	Wire Range	Insulation O.D.	Material	Finish	Qty/reel
A2010-TP	AWG#24-#30	1.40mm(max)	Phosphor Bronze	Tin over Nickel	10,000 PCS
A2010-GP	AWG#24-#30	1.40mm(max)	Phosphor Bronze	Gold over Nickel	10,000 PCS

Optional Gold plating available but MOQ requested

## A2010H

2.00mm Pitch Housing

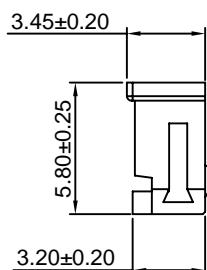
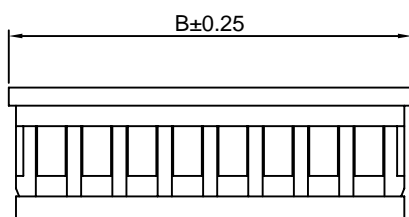
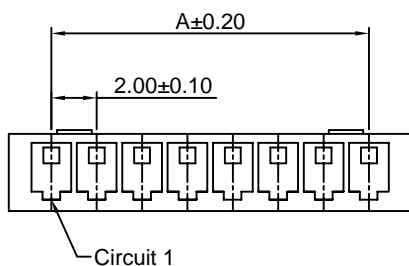
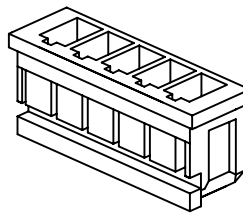
### Reference Informations:

\*Material:Nylon 66,UL94V-0

\*Suitable CJT A2010 series Terminal

\*Mates with CJT A2010 series Wafer

\*Color:White



### Ordering Information & Dimensions:

PART NO.	Dimensions	
	A	B
A2010H-2P	2.00	5.80
A2010H-3P	4.00	7.80
A2010H-4P	6.00	9.80
A2010H-5P	8.00	11.80
A2010H-6P	10.00	13.80
A2010H-7P	12.00	15.80
A2010H-8P	14.00	17.80
A2010H-9P	16.00	19.80
A2010H-10P	18.00	21.80
A2010H-11P	20.00	23.80
A2010H-12P	22.00	25.80
A2010H-13P	24.00	27.80
A2010H-14P	26.00	29.80
A2010H-15P	28.00	31.80

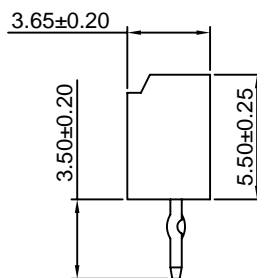
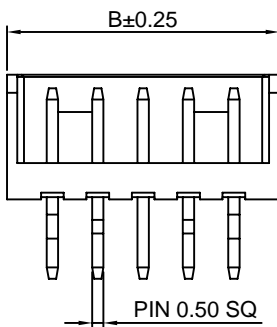
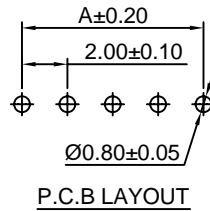
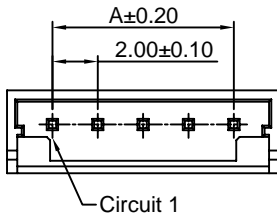
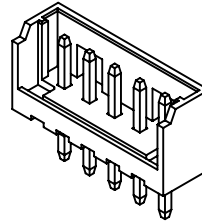
Unit: mm

## A2010WV

2.00mm Pitch 180° Wafer

### Reference Informations:

- \*Material:Pin:Brass/Tin over Nickel  
Insulator:Nylon 66,UL94V-0
- \*Mates with CJT A2010 series Housing
- \*Color:White



### Ordering Information & Dimensions:

PART NO.	Dimensions	
	A	B
A2010WV-2P	2.00	6.00
A2010WV-3P	4.00	8.00
A2010WV-4P	6.00	10.00
A2010WV-5P	8.00	12.00
A2010WV-6P	10.00	14.00
A2010WV-7P	12.00	16.00
A2010WV-8P	14.00	18.00
A2010WV-9P	16.00	20.00
A2010WV-10P	18.00	22.00
A2010WV-11P	20.00	24.00
A2010WV-12P	22.00	26.00
A2010WV-13P	24.00	28.00
A2010WV-14P	26.00	30.00
A2010WV-15P	28.00	32.00

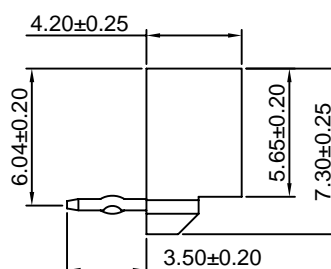
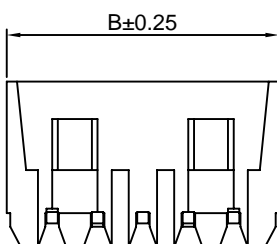
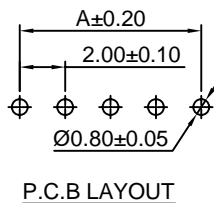
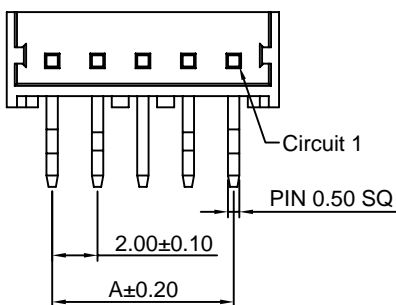
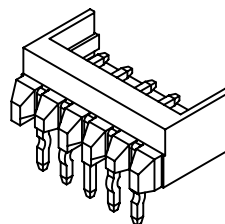
Unit: mm

## A2010WR

2.54mm Pitch 90° Wafer

### Reference Informations:

- \*Material:Pin:Brass/Tin over Nickel  
Insulator:Nylon 66,UL94V-0
- \*Mates with CJT A2010 series Housing
- \*Color:White



### Ordering Information & Dimensions:

PART NO.	Dimensions	
	A	B
A2010WR-2P	2.00	6.00
A2010WR-3P	4.00	8.00
A2010WR-4P	6.00	10.00
A2010WR-5P	8.00	12.00
A2010WR-6P	10.00	14.00
A2010WR-7P	12.00	16.00
A2010WR-8P	14.00	18.00
A2010WR-9P	16.00	20.00
A2010WR-10P	18.00	22.00
A2010WR-11P	20.00	24.00
A2010WR-12P	22.00	26.00
A2010WR-13P	24.00	28.00
A2010WR-14P	26.00	30.00
A2010WR-15P	28.00	32.00

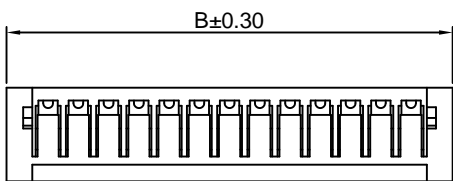
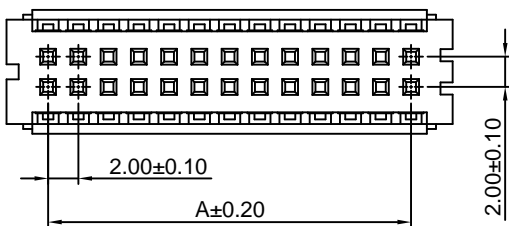
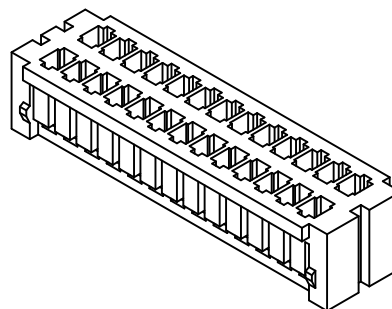
Unit: mm

## A2010HA-2

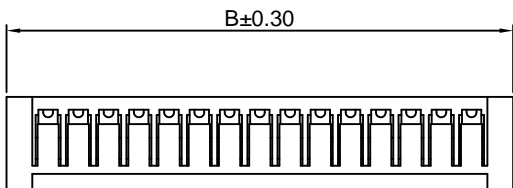
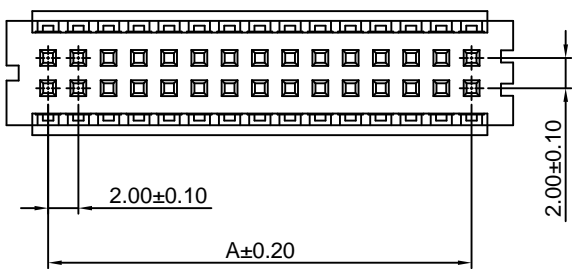
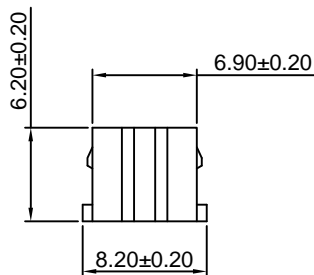
2.00mm Pitch Dual Row Housing

### Reference Informations:

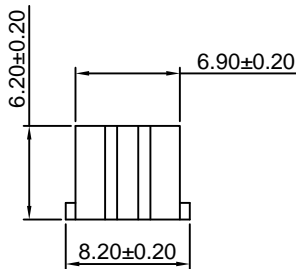
- \*Material: Nylon 66, UL94V-0
- \*Suitable CJT A2010 series Terminal
- \*Mates with CJT A2010WVA-2xXP, A2012WVB-2xXP series Dual Row Wafer
- \*Color: Gray



2x5P~2x14P



2x15P~2x30P



### Ordering Information & Dimensions:

PART NO.	Dimensions	
	A	B
A2010H-2x5P	8.00	13.50
A2010H-2x6P	10.00	15.50
A2010H-2x7P	12.00	17.50
A2010H-2x8P	14.00	19.50
A2010H-2x9P	16.00	21.50
A2010H-2x10P	18.00	23.50
A2010H-2x11P	20.00	25.50
A2010H-2x12P	22.00	27.50
A2010H-2x13P	24.00	29.50
A2010H-2x14P	26.00	31.50
A2010H-2x15P	28.00	33.50
A2010H-2x16P	30.00	35.50
A2010H-2x17P	32.00	37.50
A2010H-2x20P	38.00	43.50
A2010H-2x25P	48.00	53.50
A2010H-2x30P	58.00	63.50

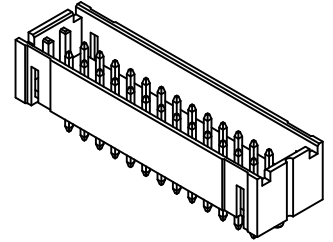
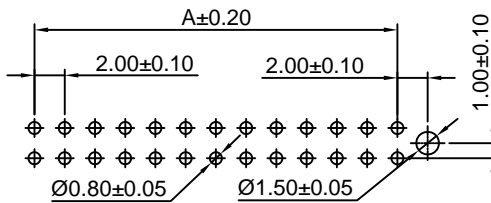
Unit: mm

### A2010WVA-2

2.00mm Pitch 180° Dual Row Wafer

**Reference Informations:**

- \*Material: Pin: Brass/Tin over Nickel  
Insulator: Nylon 66, UL94V-0
- \*Mates with CJT A2010HA-2xXP series Dual Row Housing
- \*Color: Gray

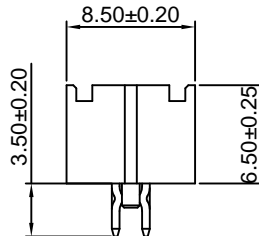
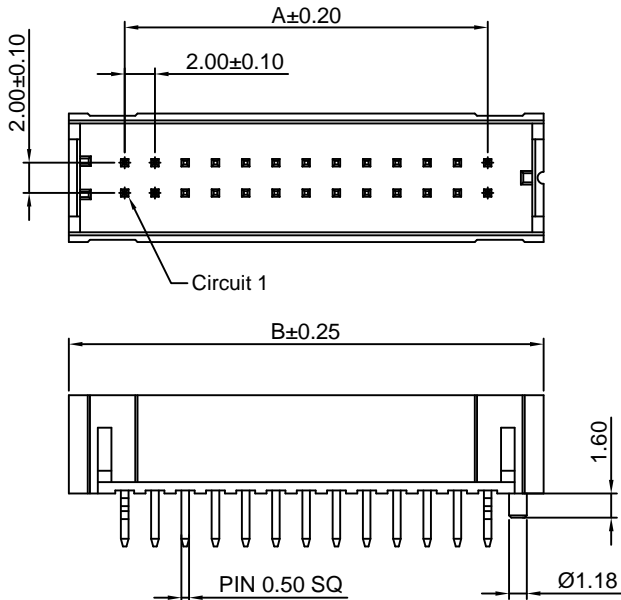


P.C.B LAYOUT

Ordering Information & Dimensions:

PART NO.	Dimensions	
	A	B
A2010WVA-2x2P	2.00	9.40
A2010WVA-2x3P	4.00	11.40
A2010WVA-2x4P	6.00	13.40
A2010WVA-2x5P	8.00	15.40
A2010WVA-2x6P	10.00	17.40
A2010WVA-2x7P	12.00	19.40
A2010WVA-2x8P	14.00	21.40
A2010WVA-2x9P	16.00	23.40
A2010WVA-2x10P	18.00	25.40
A2010WVA-2x11P	20.00	27.40
A2010WVA-2x12P	22.00	29.40
A2010WVA-2x13P	24.00	31.40
A2010WVA-2x14P	26.00	33.40
A2010WVA-2x15P	28.00	35.40
A2010WVA-2x16P	30.00	37.40
A2010WVA-2x17P	32.00	39.40
A2010WVA-2x20P	38.00	45.40
A2010WVA-2x25P	48.00	55.40
A2010WVA-2x30P	58.00	65.40

Unit: mm

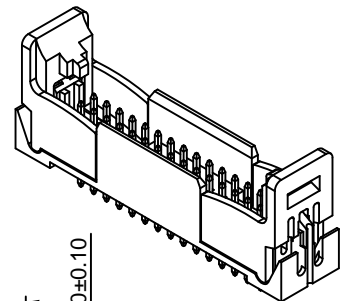
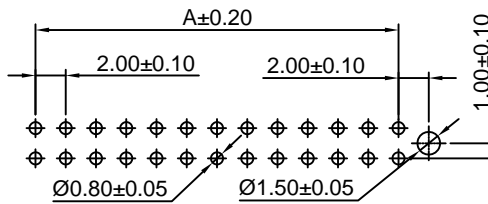


### A2010WVB-2

2.00mm Pitch 180° Dual Row Wafer

**Reference Informations:**

- \*Material: Pin: Brass/Tin over Nickel  
Insulator: Nylon 66, UL94V-0
- \*Mates with CJT A2010HA-2xXP series Dual Row Housing
- \*Color: Gray

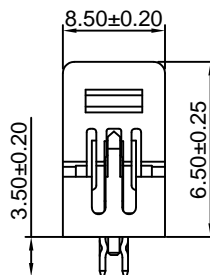
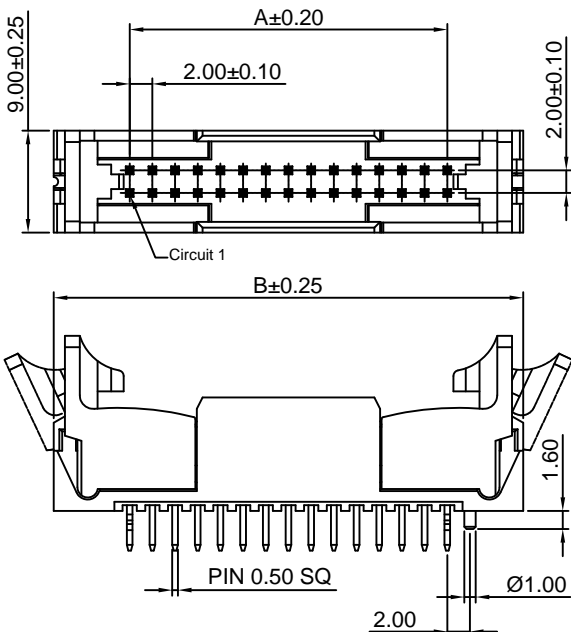


P.C.B LAYOUT

Ordering Information & Dimensions:

PART NO.	Dimensions	
	A	B
A2010WVB-2x15P	28.00	41.40
A2010WVB-2x17P	32.00	45.40
A2010WVB-2x20P	38.00	47.40
A2010WVB-2x25P	45.00	49.40
A2010WVB-2x30P	58.00	51.40

Unit: mm



## X-ON Electronics

Largest Supplier of Electrical and Electronic Components

*Click to view similar products for [Headers & Wire Housings](#) category:*

*Click to view products by [Changjiang](#) manufacturer:*

Other Similar products are found below :

[57102-F02-18ULF](#) [58102-G61-06LF](#) [582553-1](#) [009176003701906](#) [01.001.5753.1](#) [0050291907](#) [02.125.8002.8](#) [609-3404](#) [61062-3](#)  
[CSU011177004](#) [622-0430](#) [622-3653LF](#) [63453-116](#) [636-1030](#) [636-1427](#) [636-3427](#) [636-4007](#) [641938-9](#) [65495-038](#) [65692-001LF](#) [65781-018](#)  
[65781-047](#) [65817-010LF](#) [65817-015LF](#) [66207-023LF](#) [67095-007LF](#) [67601157](#) [68631-112](#) [68645-018](#) [699319-000](#) [M90C108951C](#)  
[70.362.1628.0](#) [70-4210](#) [70-4226B](#) [70-4853B](#) [707-5028](#) [71.350.2428.0](#) [71961-016LF](#) [733-134](#) [733-162](#) [754199-000](#) [760-3052](#) [80.063.4001.1](#)  
[800-90-001-10-001000](#) [800-90-010-10-002000](#) [801-43-002-10-013000](#) [801-43-006-10-002000](#) [803-41-018-10-001000](#) [803-43-024-10-](#)  
[001000](#) [803-93-012-10-001000](#)