

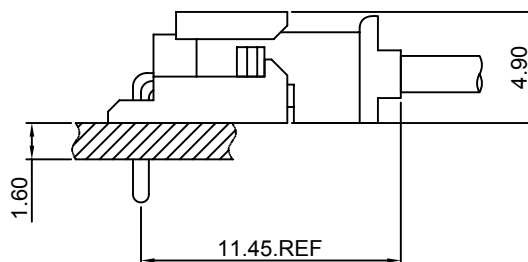
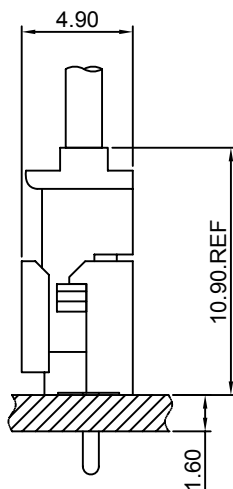
Specifications

Current rating:3A AC,DC
Voltage rating:250V AC,DC
Temperature range:-40°C~+105°C
Contact resistance:20mΩMax.
Insulation resistance:1000MΩMin.
Withstanding voltage:1000V AC/minute
Compliant with RoHS and REACH
Meet the HF/Halogen Free,need to customize
Contact CJT for details

Standards



Assembly layout

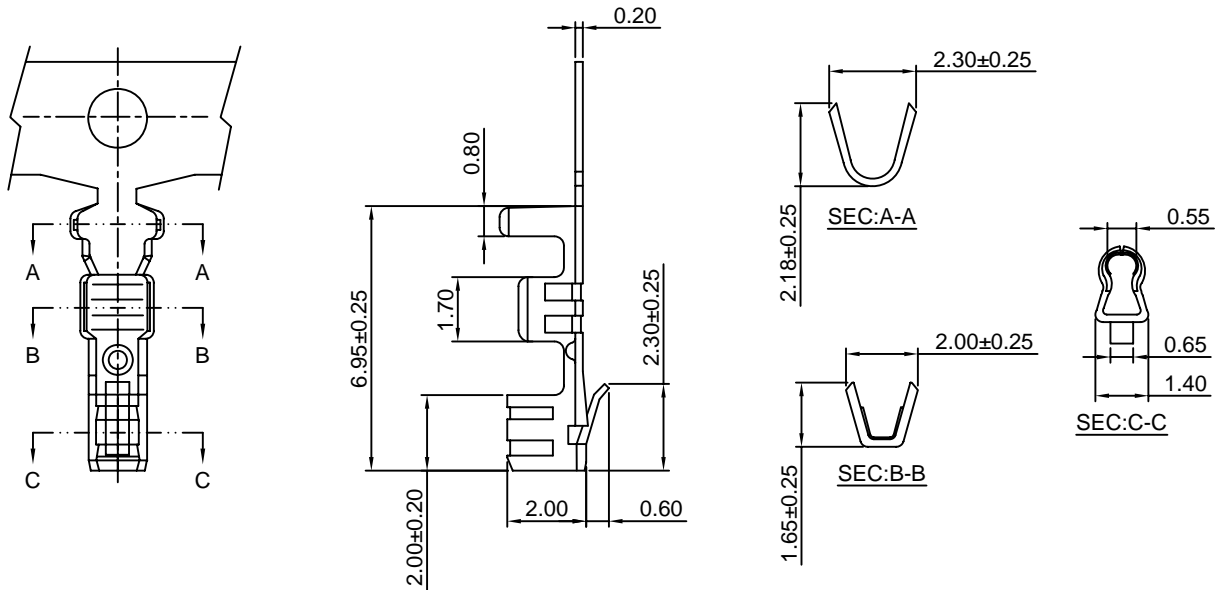


A2505-T

2.50mm pitch Crimp Terminal

Reference Informations:

*Used in CJT A2505H-XP series Housing



Ordering information & Specifications:

Unit:mm

| Part NO. | Wire Range | Insulation O.D. | Material | Finish | Qty/reel |
|----------|------------|-----------------|-----------------|------------------|------------|
| A2505-TP | AWG#22-#28 | 1.90mm(max) | Phosphor Bronze | Tin over Nickel | 10,000 PCS |
| A2505-GP | AWG#22-#28 | 1.90mm(max) | Phosphor Bronze | Gold over Nickel | 10,000 PCS |

Optional Gold plating available but MOQ requested

A2505H-XP

2.50mm pitch Housing

Reference Informations:

*Material:Nylon 66,UL94V-0

*Suitable CJT A2505-T series Terminal

*Mates with CJT A2505WV,WR,WVT-XP series Wafer

*Color:Beige

Ordering Information:

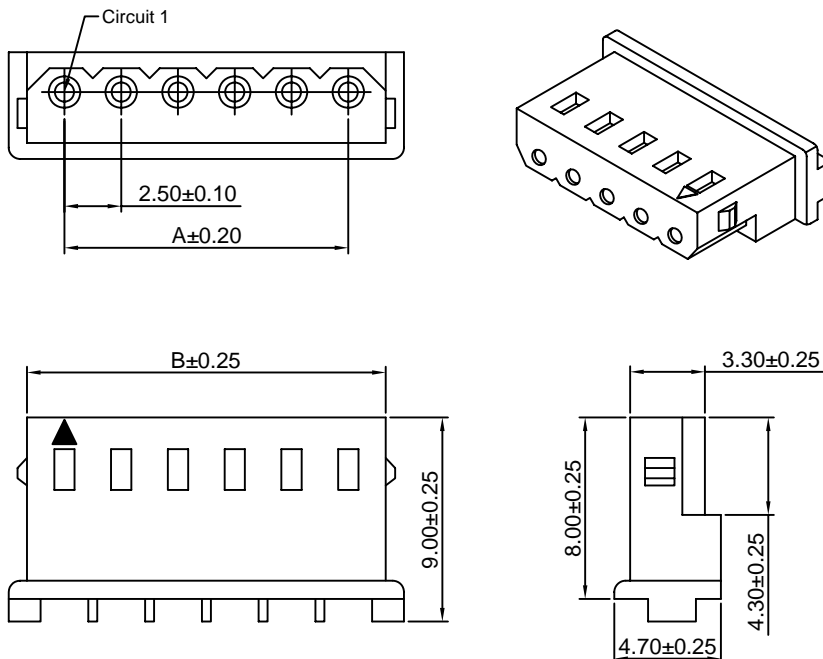
A2505H-XP - ***
1 2

1.Part No.

2.Material:

(Blank):Nylon 66,UL94V-0

GWT :Nylon 66,UL94V-0 GWT 750℃



Ordering Information & Dimensions:

| PART NO. | Dimensions | |
|----------|------------|-------|
| | A | B |
| 2P | 2.50 | 5.80 |
| 3P | 5.00 | 8.30 |
| 4P | 7.50 | 10.80 |
| 5P | 10.00 | 13.30 |
| 6P | 12.50 | 15.80 |
| 7P | 15.00 | 18.30 |
| 8P | 17.50 | 20.80 |
| 9P | 20.00 | 23.30 |
| 10P | 22.50 | 25.80 |
| 11P | 25.00 | 28.30 |
| 12P | 27.50 | 30.80 |
| 13P | 30.00 | 33.30 |
| 14P | 32.50 | 35.80 |
| 15P | 35.00 | 38.30 |
| 16P | 37.50 | 40.80 |
| 17P | 40.00 | 43.30 |
| 18P | 42.50 | 45.80 |
| 19P | 45.00 | 48.30 |
| 20P | 47.50 | 50.80 |

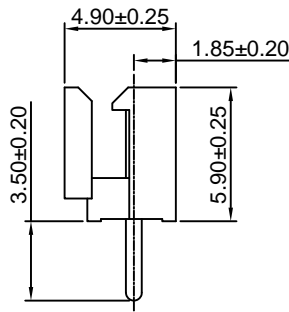
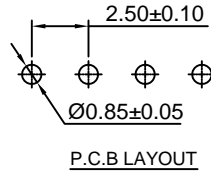
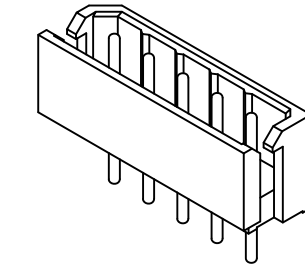
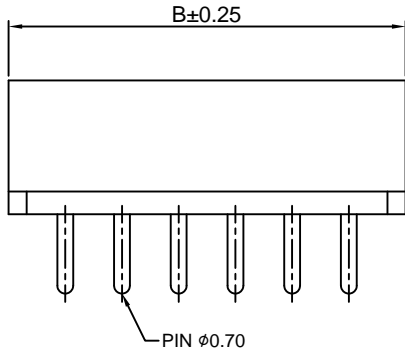
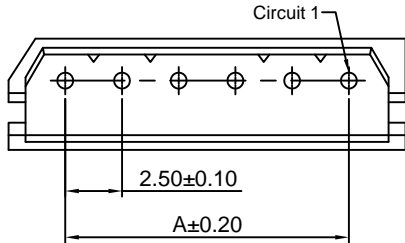
Unit: mm

A2505WV-XP

2.50mm pitch 180° Wafer

Reference Informations:

- *Material:Pin:Brass/Tin over Nickel
Insulator:Nylon 66,UL94V-0
- *Mates with CJT A2505H-XP series Housing
- *Color:Beige



Ordering Information:

A2505WV-XP - *** - **
1 2 3

- Part No.
- Material:
(Blank):Nylon 66,UL94V-0
46:Nylon 46,UL94V-0
LCP:Nylon LCP,UL94V-0
GWT:Nylon 66,UL94V-0,GWT 750°C
- Finish:
(blank):Tin over Nickel
G:Gold over Nickel

Ordering Information & Dimensions:

| PART NO. | Dimensions | |
|----------|------------|-------|
| | A | B |
| 2P | 2.50 | 7.50 |
| 3P | 5.00 | 10.00 |
| 4P | 7.50 | 12.50 |
| 5P | 10.00 | 15.00 |
| 6P | 12.50 | 17.50 |
| 7P | 15.00 | 20.00 |
| 8P | 17.50 | 22.50 |
| 9P | 20.00 | 25.00 |
| 10P | 22.50 | 27.50 |
| 11P | 25.00 | 30.00 |
| 12P | 27.50 | 32.50 |
| 13P | 30.00 | 35.00 |
| 14P | 32.50 | 37.50 |
| 15P | 35.00 | 40.00 |
| 16P | 37.50 | 42.50 |
| 17P | 40.00 | 45.00 |
| 18P | 42.50 | 47.50 |
| 19P | 45.00 | 50.00 |
| 20P | 47.50 | 52.50 |

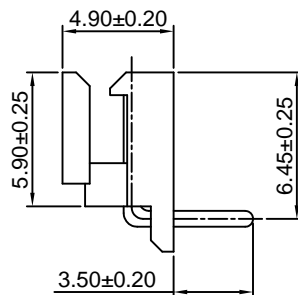
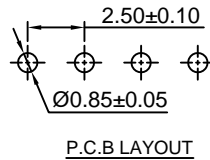
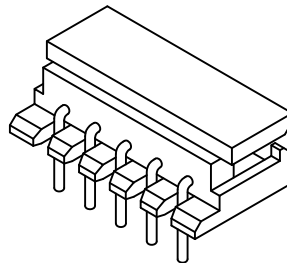
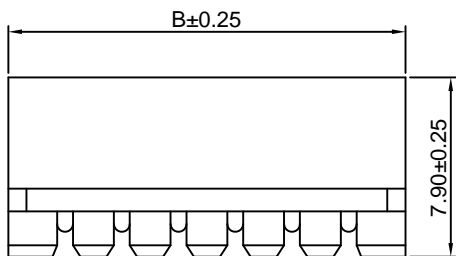
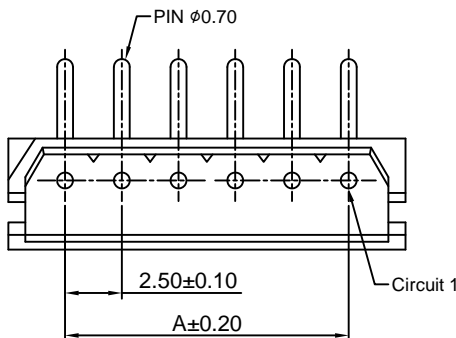
Unit: mm

A2505WR-XP

2.50mm pitch 90° Wafer

Reference Informations:

- *Material:Pin:Brass/Tin over Nickel
Insulator:Nylon 66,UL94V-0
- *Mates with CJT A2505H-XP series Housing
- *Color:Beige



Ordering Information:

A2505WR-XP - *** - **
1 2 3

- Part No.
- Material:
(Blank):Nylon 66,UL94V-0
46:Nylon 46,UL94V-0
LCP:Nylon LCP,UL94V-0
GWT:Nylon 66,UL94V-0,GWT 750°C
- Finish:
(blank):Tin over Nickel
G:Gold over Nickel

Ordering Information & Dimensions:

| PART NO. | Dimensions | |
|----------|------------|-------|
| | A | B |
| 2P | 2.50 | 7.50 |
| 3P | 5.00 | 10.00 |
| 4P | 7.50 | 12.50 |
| 5P | 10.00 | 15.00 |
| 6P | 12.50 | 17.50 |
| 7P | 15.00 | 20.00 |
| 8P | 17.50 | 22.50 |
| 9P | 20.00 | 25.00 |
| 10P | 22.50 | 27.50 |
| 11P | 25.00 | 30.00 |
| 12P | 27.50 | 32.50 |
| 13P | 30.00 | 35.00 |
| 14P | 32.50 | 37.50 |
| 15P | 35.00 | 40.00 |
| 16P | 37.50 | 42.50 |
| 17P | 40.00 | 45.00 |
| 18P | 42.50 | 47.50 |
| 19P | 45.00 | 50.00 |
| 20P | 47.50 | 52.50 |

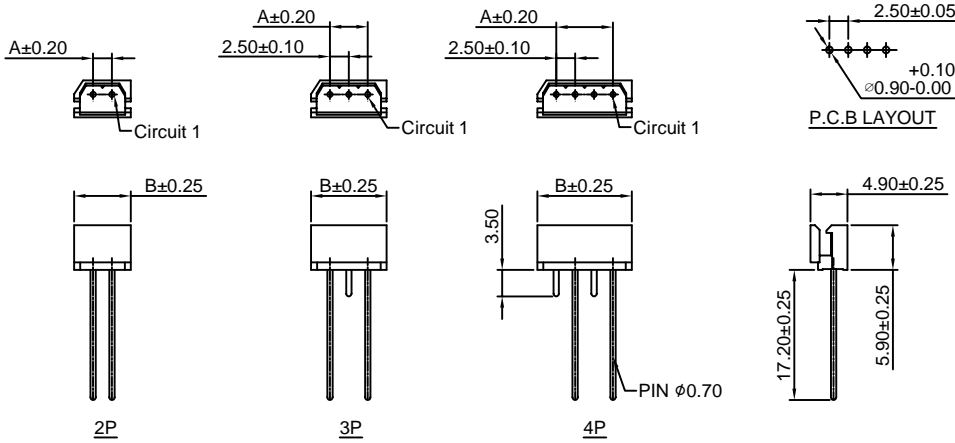
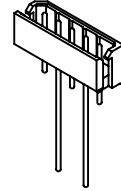
Unit: mm

A2505WVT-XP

2.50mm pitch 180° Wafer

Reference Informations:

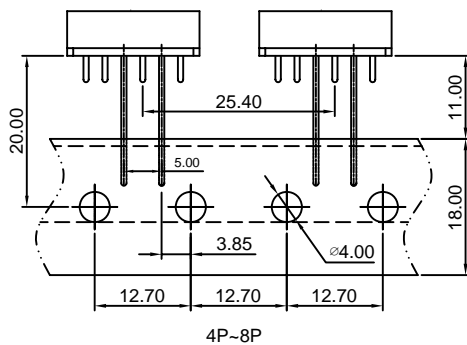
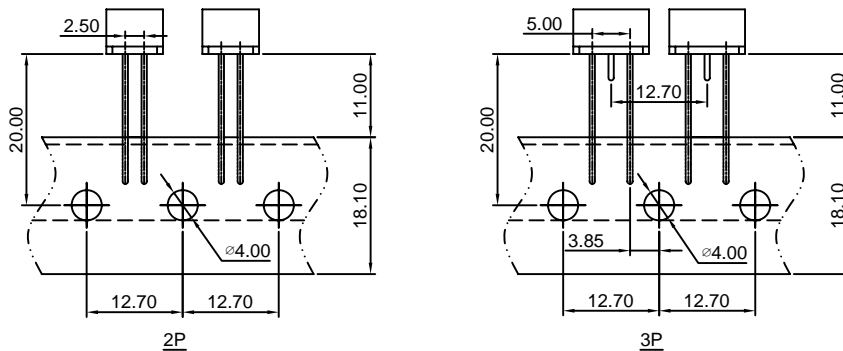
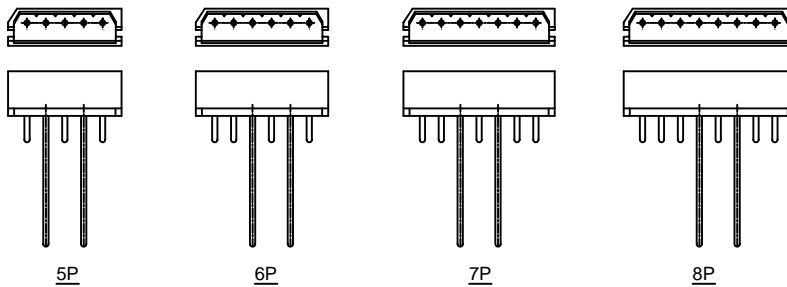
- *Material: Pin: Brass/Tin over Nickel
Insulator: Nylon 66, UL94V-0
- *Mates with CJT A2505H-XP series Housing
- *Color: Beige



Ordering Information:

A2505WVT-XP - *** - **
1 2 3

1. Part No.
2. Material:
(Blank): Nylon 66, UL94V-0
GWT: Nylon 66, UL94V-0, GWT 750°C
3. Finish:
(blank): Tin over Nickel
G: Gold over Nickel



Ordering Information & Dimensions:

| PART NO. | Dimensions | |
|----------|------------|-------|
| | A | B |
| 2P | 2.50 | 7.50 |
| 3P | 5.00 | 10.00 |
| 4P | 7.50 | 12.50 |
| 5P | 10.00 | 15.00 |
| 6P | 12.50 | 17.50 |
| 7P | 15.00 | 20.00 |
| 8P | 17.50 | 22.50 |

Unit: mm

X-ON Electronics

Largest Supplier of Electrical and Electronic Components

Click to view similar products for [Headers & Wire Housings](#) category:

Click to view products by [Changjiang](#) manufacturer:

Other Similar products are found below :

[57102-F02-18ULF](#) [58102-G61-06LF](#) [582553-1](#) [009176003701906](#) [0050291907](#) [02.125.8002.8](#) [609-3404](#) [61062-3](#) [622-0430](#) [622-3653LF](#)
[63453-116](#) [636-1030](#) [636-1427](#) [636-3427](#) [636-4007](#) [641938-9](#) [65495-038](#) [65692-001LF](#) [65781-018](#) [65781-047](#) [65817-010LF](#) [65817-015LF](#)
[66207-023LF](#) [67016-026LF](#) [67095-007LF](#) [68631-112](#) [68645-018](#) [68648-049](#) [699319-000](#) [M90C108951C](#) [70.362.1628.0](#) [70-4210](#) [70-4226B](#)
[70-4853B](#) [707-5020](#) [707-5028](#) [71.350.2428.0](#) [71961-016LF](#) [733-134](#) [754199-000](#) [760-3052](#) [787-8014-00](#) [FCN-367T-T012/H](#)
[80.063.4001.1](#) [800-90-001-10-001000](#) [801-43-002-10-013000](#) [801-43-006-10-002000](#) [803-41-018-10-001000](#) [803-43-014-20-001000](#)
[803-43-024-10-001000](#)