

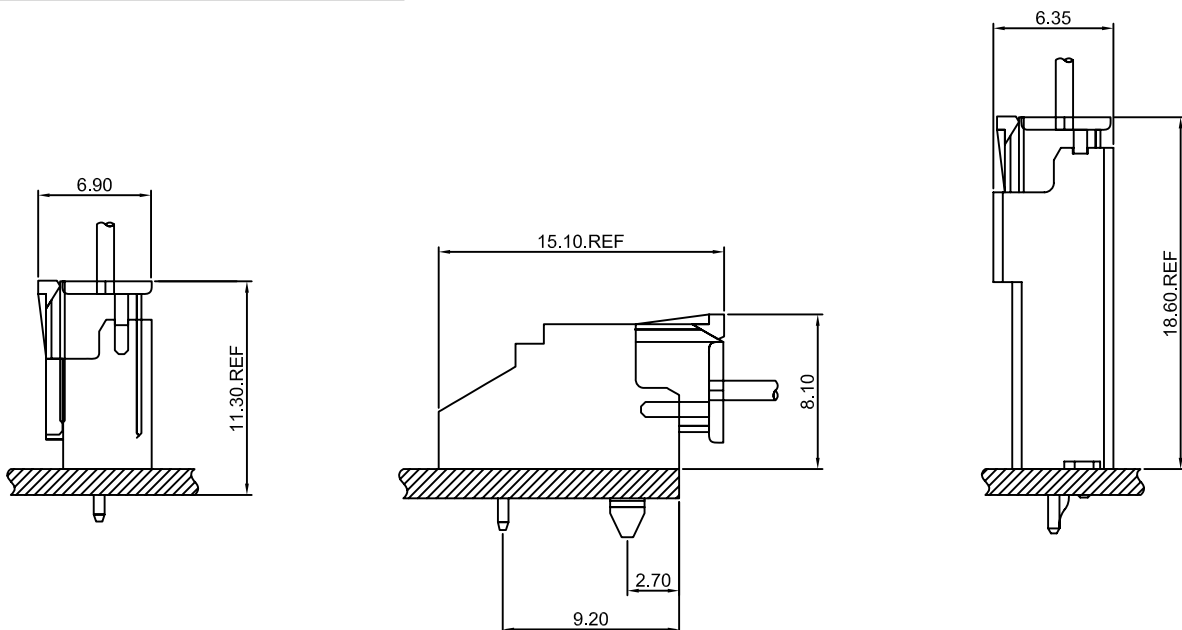
## Specifications

- Current rating:3A AC,DC
- Voltage rating:250V AC,DC
- Temperature range:-40°C~+105°C
- Contact resistance:10mΩMax.
- Insulation resistance:1000MΩMin.
- Withstanding voltage:1000V AC/minute
- \*Compliant with RoHS and REACH\*
- \*Meet the HF/Halogen Free,need to customize\*
- \*Contact CJT for details\*

## Standards



## Assembly layout

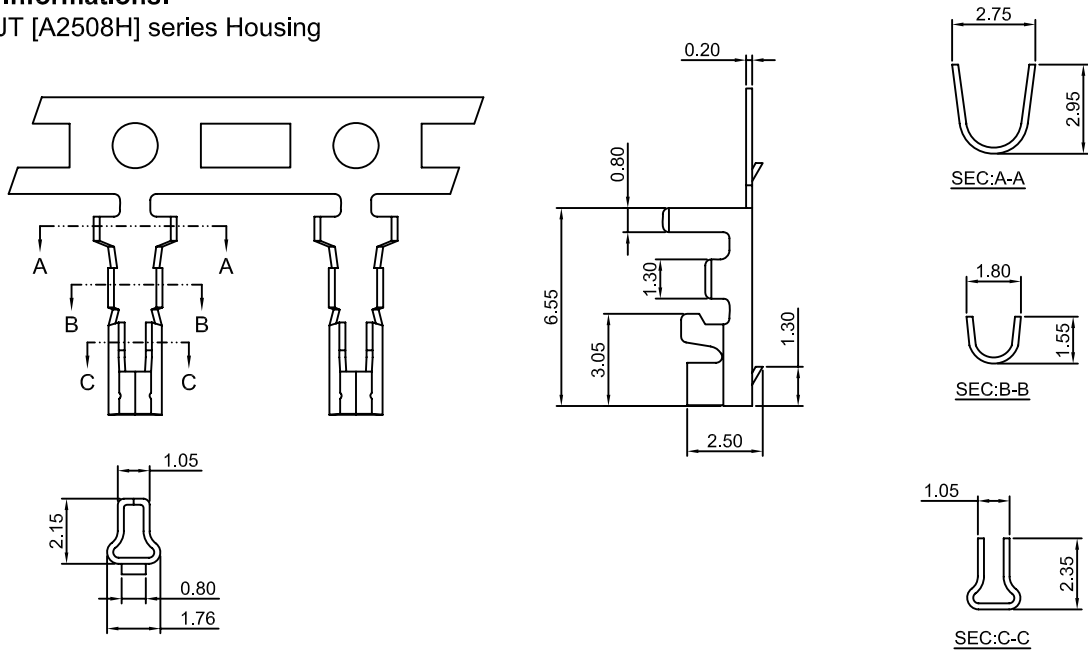


## A2508-T

2.50mm Pitch Crimp Terminal

### Reference Informations:

\*Used in CJT [A2508H] series Housing



### Ordering information & Specifications:

Unit:mm

| Part NO  | Wire Range | Insulation O.D. | Material        | Finish           | Qty/reel   |
|----------|------------|-----------------|-----------------|------------------|------------|
| A2508-TP | AWG#22-#28 | 1.90mm(max)     | Phosphor Bronze | Tin over Nickel  | 10,000 PCS |
| A2508-GP | AWG#22-#28 | 1.90mm(max)     | Phosphor Bronze | Gold over Nickel | 10,000 PCS |

Optional Gold plating available but MOQ requested

## A2508H-XP

2.50mm Pitch Housing

### Reference Informations:

\*Material:Nylon 66 ,UL94V-0

\*Suitable CJT [A2508-T] series Terminal

\*Mates with CJT [A2508WV,A2508WR,A2508WV-F,A2508WR-F, A2508WV-H,A2508WV-F-H,A2508WVT,A2508WVT-F, A2508WVT-H, A2508WVT-F-H] series Wafer

\*Color:White

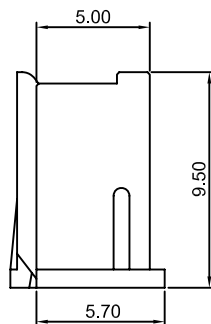
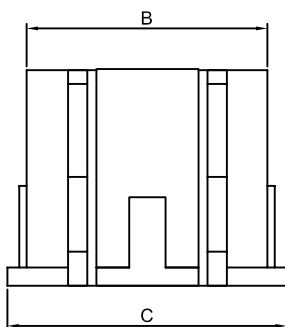
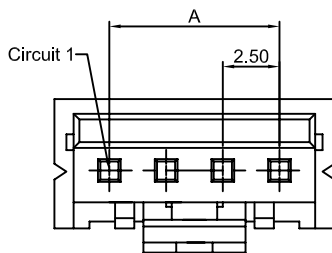
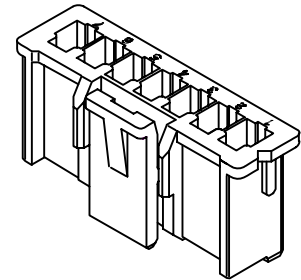
### Ordering Information:

A2508H-XP - \*\*  
1 2

1.Part No.

2.Color:

|                 |                   |
|-----------------|-------------------|
| (blank) - White | BR - Brown        |
| BK - Black      | GY - Gray         |
| RD - Red        | PK - Pink         |
| BL - Blue       | LY - Lemon yellow |
| YL - Yellow     | P - Purple        |
| GN - Green      | LE - Light blue   |
| OR - Orange     | FY - Vivid yellow |



### Ordering Information & Dimensions:

| PART NO. | Dimensions |       |       |
|----------|------------|-------|-------|
|          | A          | B     | C     |
| 2P       | 2.50       | 5.64  | 7.30  |
| 3P       | 5.00       | 8.14  | 9.80  |
| 4P       | 7.50       | 10.64 | 12.30 |
| 5P       | 10.00      | 13.14 | 14.80 |
| 6P       | 12.50      | 15.64 | 17.30 |
| 7P       | 15.00      | 18.14 | 19.80 |
| 8P       | 17.50      | 20.64 | 22.30 |
| 9P       | 20.00      | 23.14 | 24.80 |
| 10P      | 22.50      | 25.64 | 27.30 |
| 11P      | 25.00      | 28.14 | 29.80 |
| 12P      | 27.50      | 30.64 | 32.30 |
| 13P      | 30.00      | 33.14 | 34.80 |
| 14P      | 32.50      | 35.64 | 37.30 |
| 15P      | 35.00      | 38.14 | 39.80 |

Unit: mm

## A2508HA-XP

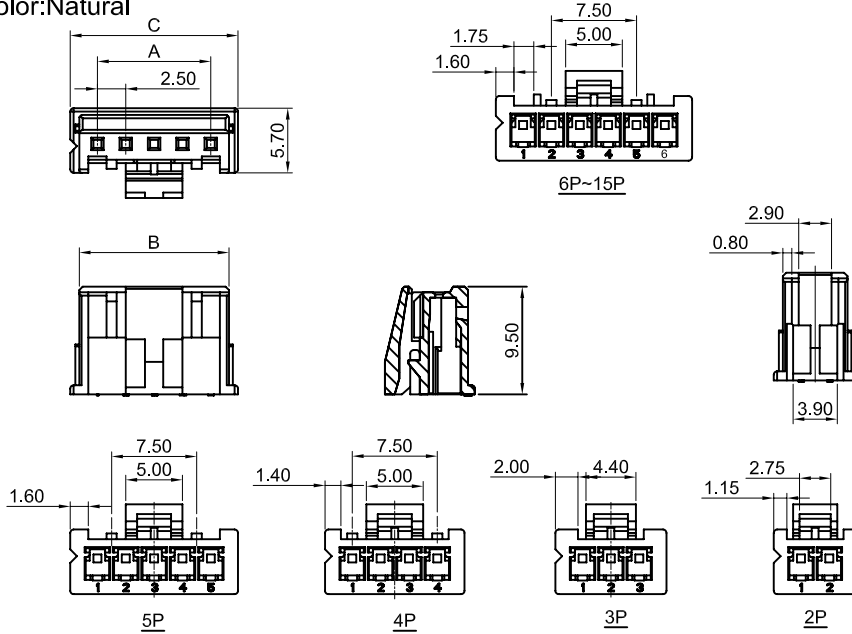
2.50mm Pitch Housing

### Reference Informations:

- \*Material:Nylon 66 ,UL94V-0
- \*Suitable CJT [A2508-T] series Terminal
- \*Mates with CJT [A2508WV,A2508WR,A2508WV-F,A2508WR-F, A2508WV-H,A2508WV-F-H,A2508WVT,A2508WVT-F, A2508WVT-H, A2508WVT-F-H] series Wafer
- \*Color:Natural

Ordering Information:  
A2508HA-XP - \*\* - \*\*  
1 2 3

- Part No.
- Material:  
(blank):Nylon 66,UL94V-0  
GWT:Nylon 66,UL94V-0 ,GWT 750 °C
- Color:  
(blank) - Natural  
BK - Black  
RD - Red  
BL - Blue  
YL - Yellow  
GN - Green



### Ordering Information & Dimensions:

| PART NO. | Dimensions |       |       |
|----------|------------|-------|-------|
|          | A          | B     | C     |
| 2P       | 2.50       | 5.70  | 7.30  |
| 3P       | 5.00       | 8.20  | 9.80  |
| 4P       | 7.50       | 10.70 | 12.30 |
| 5P       | 10.00      | 13.20 | 14.80 |
| 6P       | 12.50      | 15.70 | 17.30 |
| 7P       | 15.00      | 18.20 | 19.80 |
| 8P       | 17.50      | 20.70 | 22.30 |
| 9P       | 20.00      | 23.20 | 24.80 |
| 10P      | 22.50      | 25.70 | 27.30 |
| 11P      | 25.00      | 28.20 | 29.80 |
| 12P      | 27.50      | 30.70 | 32.30 |
| 13P      | 30.00      | 33.20 | 34.80 |
| 14P      | 32.50      | 35.70 | 37.30 |
| 15P      | 35.00      | 38.20 | 39.80 |

Unit: mm

## A2508SA-XP

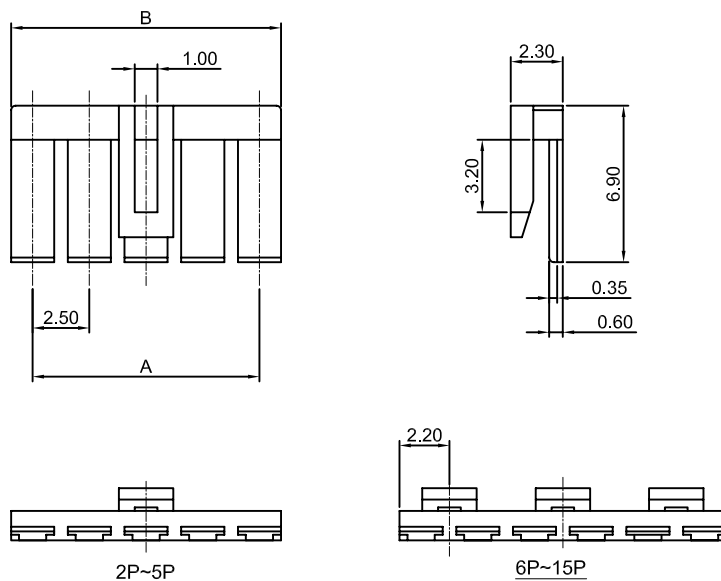
2.50mm Pitch Seal

### Reference Informations:

- \*Material:Nylon 66 ,UL94V-0
- \*Mates with CJT [A2508HA] series Housing
- \*Color:Natural

Ordering Information:  
A2508SA-XP - \*\*  
1 2

- Part No.
- Material:  
(blank):Nylon 66,UL94V-0  
GWT:Nylon 66,UL94V-0 ,GWT 750 °C



### Ordering Information & Dimensions:

| PART NO. | Dimensions |       |
|----------|------------|-------|
|          | A          | B     |
| 2P       | 2.50       | 4.40  |
| 3P       | 5.00       | 6.90  |
| 4P       | 7.50       | 9.40  |
| 5P       | 10.00      | 11.90 |
| 6P       | 12.50      | 14.40 |
| 7P       | 15.00      | 16.90 |
| 8P       | 17.50      | 19.40 |
| 9P       | 20.00      | 21.90 |
| 10P      | 22.50      | 24.40 |
| 11P      | 25.00      | 26.90 |
| 12P      | 27.50      | 29.40 |
| 13P      | 30.00      | 31.90 |
| 14P      | 32.50      | 34.40 |
| 15P      | 35.00      | 36.90 |

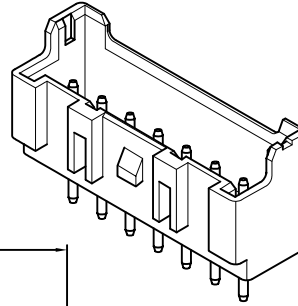
Unit: mm

## A2508WV-XP

2.50mm Pitch 180° Wafer

### Reference Informations:

- \*Material:Pin:Brass/Tin over Nickel  
Insulator:Nylon 66 ,UL94V-0
- \*Mates with CJT [A2508H,A2508HA] series Housing
- \*Color:Ivory



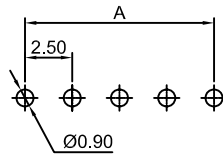
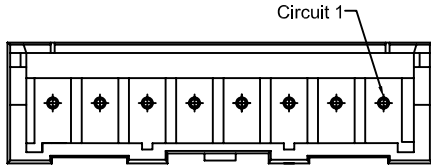
### Ordering Information:

A2508WV-XP - \*\*  
1 2

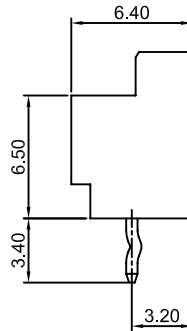
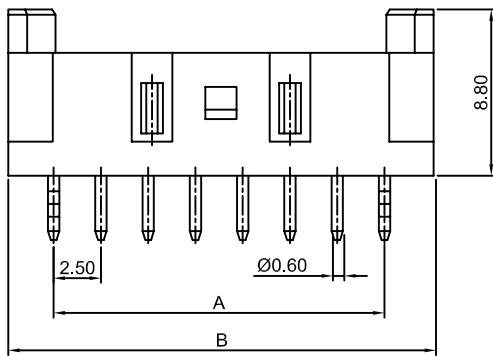
1.Part No.

2.Color:

- (blank) - Ivory
- BK - Black
- RD - Red
- BL - Blue
- YL - Yellow
- GN - Green
- OR - Orange
- WH - White
- BR - Brown
- GY - Gray
- PK - Pink
- LY - Lemon yellow
- P - Purple
- LE - Light blue
- FY - Vivid yellow



P.B.C LAYOUT



### Ordering Information & Dimensions:

| PART NO. | Dimensions |       |
|----------|------------|-------|
|          | A          | B     |
| 2P       | 2.50       | 7.50  |
| 3P       | 5.00       | 10.00 |
| 4P       | 7.50       | 12.50 |
| 5P       | 10.00      | 15.00 |
| 6P       | 12.50      | 17.50 |
| 7P       | 15.00      | 20.00 |
| 8P       | 17.50      | 22.50 |
| 9P       | 20.00      | 25.00 |
| 10P      | 22.50      | 27.50 |
| 11P      | 25.00      | 30.00 |
| 12P      | 27.50      | 32.50 |
| 13P      | 30.00      | 35.00 |
| 14P      | 32.50      | 37.50 |
| 15P      | 35.00      | 40.00 |

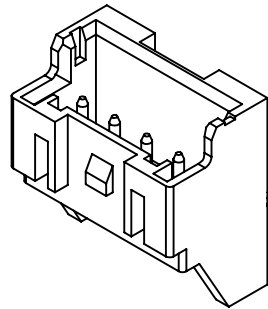
Unit: mm

## A2508WR-XP

2.50mm Pitch 90° Wafer

### Reference Informations:

- \*Material:Pin:Brass/Tin over Nickel  
Insulator:Nylon 66 ,UL94V-0
- \*Mates with CJT [A2508H,A2508HA] series Housing
- \*Color:Ivory



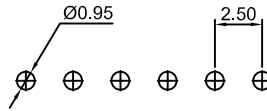
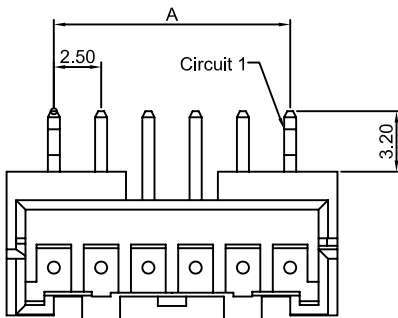
### Ordering Information:

A2508WR-XP - \*\*  
1 2

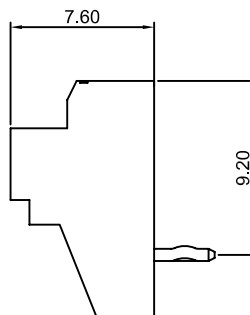
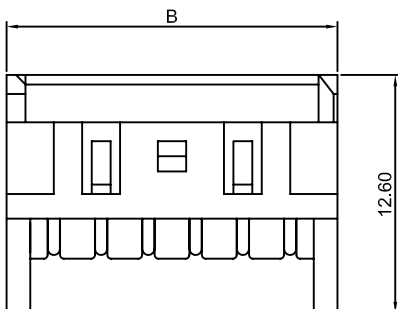
1.Part No.

2.Color:

- (blank) - Ivory
- BK - Black
- RD - Red
- BL - Blue
- YL - Yellow
- GN - Green
- OR - Orange
- WH - White
- BR - Brown
- GY - Gray
- PK - Pink
- LY - Lemon yellow
- P - Purple
- LE - Light blue
- FY - Vivid yellow



P.C.B LAYOUT



### Ordering Information & Dimensions:

| PART NO. | Dimensions |       |
|----------|------------|-------|
|          | A          | B     |
| 2P       | 2.50       | 7.50  |
| 3P       | 5.00       | 10.00 |
| 4P       | 7.50       | 12.50 |
| 5P       | 10.00      | 15.00 |
| 6P       | 12.50      | 17.50 |
| 7P       | 15.00      | 20.00 |
| 8P       | 17.50      | 22.50 |
| 9P       | 20.00      | 25.00 |
| 10P      | 22.50      | 27.50 |
| 11P      | 25.00      | 30.00 |
| 12P      | 27.50      | 32.50 |
| 13P      | 30.00      | 35.00 |
| 14P      | 32.50      | 37.50 |
| 15P      | 35.00      | 40.00 |

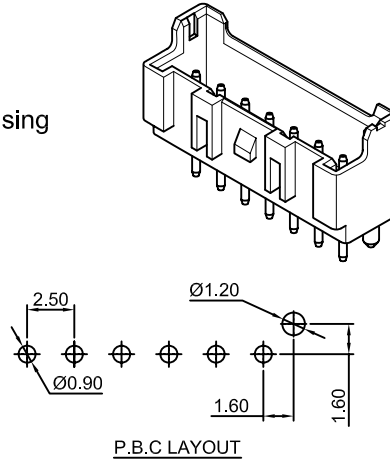
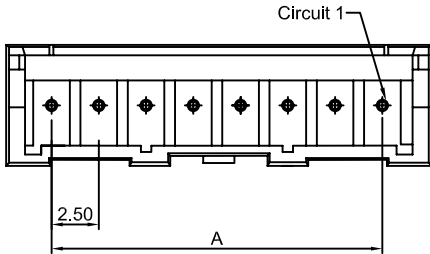
Unit: mm

## A2508WV-F-XP

2.50mm Pitch 180° Wafer

### Reference Informations:

- \*Material:Pin:Brass/Tin over Nickel  
Insulator:Nylon 66 ,UL94V-0
- \*Mates with CJT [A2508H,A2508HA] series Housing
- \*Color:Ivory



Ordering Information:  
A2508WV-F-XP - \*\*  
1 2

- 1.Part No.  
2.Color:
- |                 |                   |
|-----------------|-------------------|
| (blank) - Ivory | BR - Brown        |
| BK - Black      | GY - Gray         |
| RD - Red        | PK - Pink         |
| BL - Blue       | LY - Lemon yellow |
| YL - Yellow     | P - Purple        |
| GN - Green      | LE - Light blue   |
| OR - Orange     | FY - Vivid yellow |
| WH - White      |                   |

### Ordering Information & Dimensions:

| PART NO. | Dimensions |       |
|----------|------------|-------|
|          | A          | B     |
| 2P       | 2.50       | 7.50  |
| 3P       | 5.00       | 10.00 |
| 4P       | 7.50       | 12.50 |
| 5P       | 10.00      | 15.00 |
| 6P       | 12.50      | 17.50 |
| 7P       | 15.00      | 20.00 |
| 8P       | 17.50      | 22.50 |
| 9P       | 20.00      | 25.00 |
| 10P      | 22.50      | 27.50 |
| 11P      | 25.00      | 30.00 |
| 12P      | 27.50      | 32.50 |
| 13P      | 30.00      | 35.00 |
| 14P      | 32.50      | 37.50 |
| 15P      | 35.00      | 40.00 |

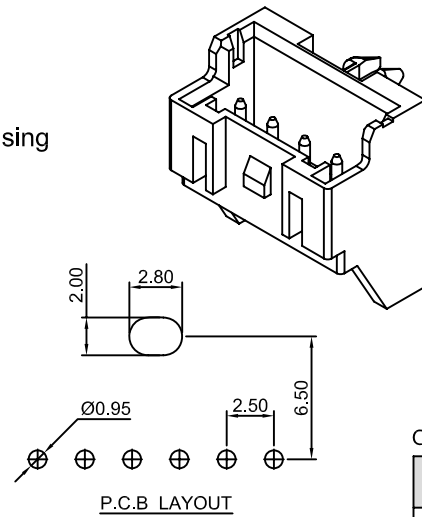
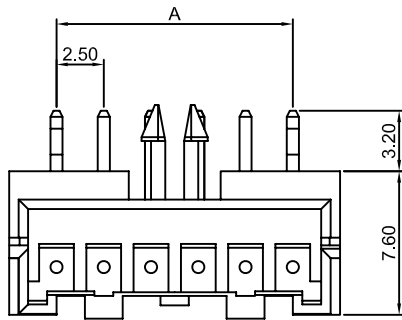
Unit: mm

## A2508WR-F-XP

2.50mm Pitch 90° Wafer

### Reference Informations:

- \*Material:Pin:Brass/Tin over Nickel  
Insulator:Nylon 66 ,UL94V-0
- \*Mates with CJT [A2508H,A2508HA] series Housing
- \*Color:Ivory



Ordering Information:  
A2508WR-F-XP - \*\*  
1 2

- 1.Part No.  
2.Color:
- |                 |                   |
|-----------------|-------------------|
| (blank) - Ivory | BR - Brown        |
| BK - Black      | GY - Gray         |
| RD - Red        | PK - Pink         |
| BL - Blue       | LY - Lemon yellow |
| YL - Yellow     | P - Purple        |
| GN - Green      | LE - Light blue   |
| OR - Orange     | FY - Vivid yellow |
| WH - White      |                   |

### Ordering Information & Dimensions:

| PART NO. | Dimensions |       |
|----------|------------|-------|
|          | A          | B     |
| 2P       | 2.50       | 7.50  |
| 3P       | 5.00       | 10.00 |
| 4P       | 7.50       | 12.50 |
| 5P       | 10.00      | 15.00 |
| 6P       | 12.50      | 17.50 |
| 7P       | 15.00      | 20.00 |
| 8P       | 17.50      | 22.50 |
| 9P       | 20.00      | 25.00 |
| 10P      | 22.50      | 27.50 |
| 11P      | 25.00      | 30.00 |
| 12P      | 27.50      | 32.50 |
| 13P      | 30.00      | 35.00 |
| 14P      | 32.50      | 37.50 |
| 15P      | 35.00      | 40.00 |

Unit: mm

## A2508WV-XP-H — 2.50mm Pitch 180° Wafer-High box type

### Reference Informations:

- \*Material: Pin: Brass/Tin over Nickel  
Insulator: Nylon 66 ,UL94V-0
- \*Mates with CJT [A2508H,A2508HA] series Housing
- \*Color: Ivory

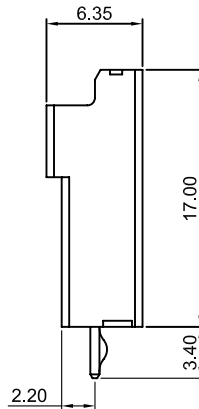
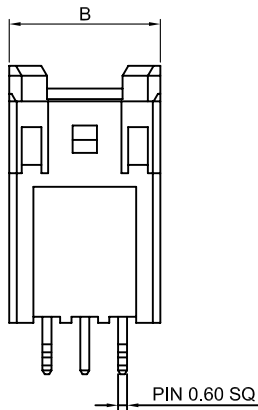
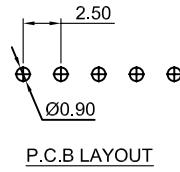
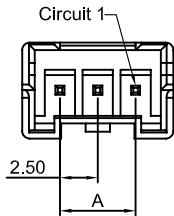
Ordering Information:

A2508WV-XP-H - \*\*  
1 2

1. Part No.

2. Color:

|                 |                   |
|-----------------|-------------------|
| (blank) - Ivory | BR - Brown        |
| BK - Black      | GY - Gray         |
| RD - Red        | PK - Pink         |
| BL - Blue       | LY - Lemon yellow |
| YL - Yellow     | P - Purple        |
| GN - Green      | LE - Light blue   |
| OR - Orange     | FY - Vivid yellow |
| WH - White      |                   |



Ordering Information & Dimensions:

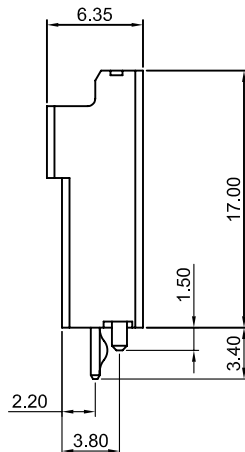
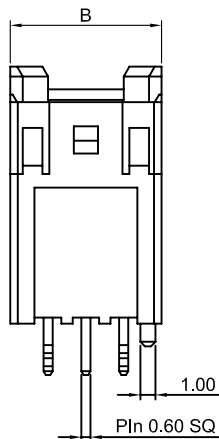
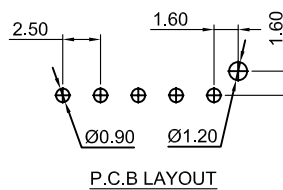
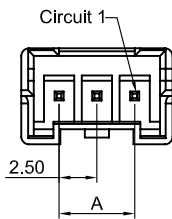
| PART NO. | Dimensions |       |
|----------|------------|-------|
|          | A          | B     |
| 2P       | 2.50       | 7.50  |
| 3P       | 5.00       | 10.00 |
| 4P       | 7.50       | 12.50 |
| 5P       | 10.00      | 15.00 |
| 6P       | 12.50      | 17.50 |
| 7P       | 15.00      | 20.00 |
| 8P       | 17.50      | 22.50 |
| 9P       | 20.00      | 25.00 |
| 10P      | 22.50      | 27.50 |
| 11P      | 25.00      | 30.00 |
| 12P      | 27.50      | 32.50 |
| 13P      | 30.00      | 35.00 |
| 14P      | 32.50      | 37.50 |
| 15P      | 35.00      | 40.00 |

Unit: mm

## A2508WV-F-XP-H — 2.50mm Pitch 180° Wafer-High box type

### Reference Informations:

- \*Material: Pin: Brass/Tin over Nickel  
Insulator: Nylon 66 ,UL94V-0
- \*Mates with CJT [A2508H,A2508HA] series Housing
- \*Color: Ivory



Ordering Information & Dimensions:

| PART NO. | Dimensions |       |
|----------|------------|-------|
|          | A          | B     |
| 2P       | 2.50       | 7.50  |
| 3P       | 5.00       | 10.00 |
| 4P       | 7.50       | 12.50 |
| 5P       | 10.00      | 15.00 |
| 6P       | 12.50      | 17.50 |
| 7P       | 15.00      | 20.00 |
| 8P       | 17.50      | 22.50 |
| 9P       | 20.00      | 25.00 |
| 10P      | 22.50      | 27.50 |
| 11P      | 25.00      | 30.00 |
| 12P      | 27.50      | 32.50 |
| 13P      | 30.00      | 35.00 |
| 14P      | 32.50      | 37.50 |
| 15P      | 35.00      | 40.00 |

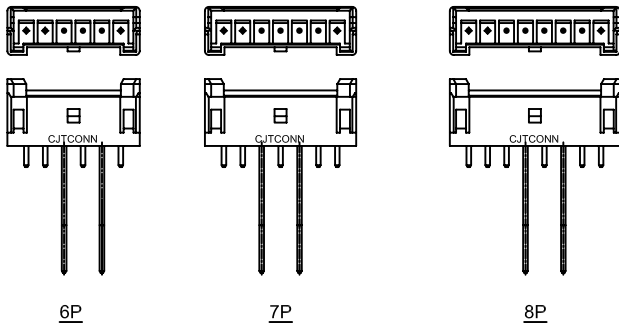
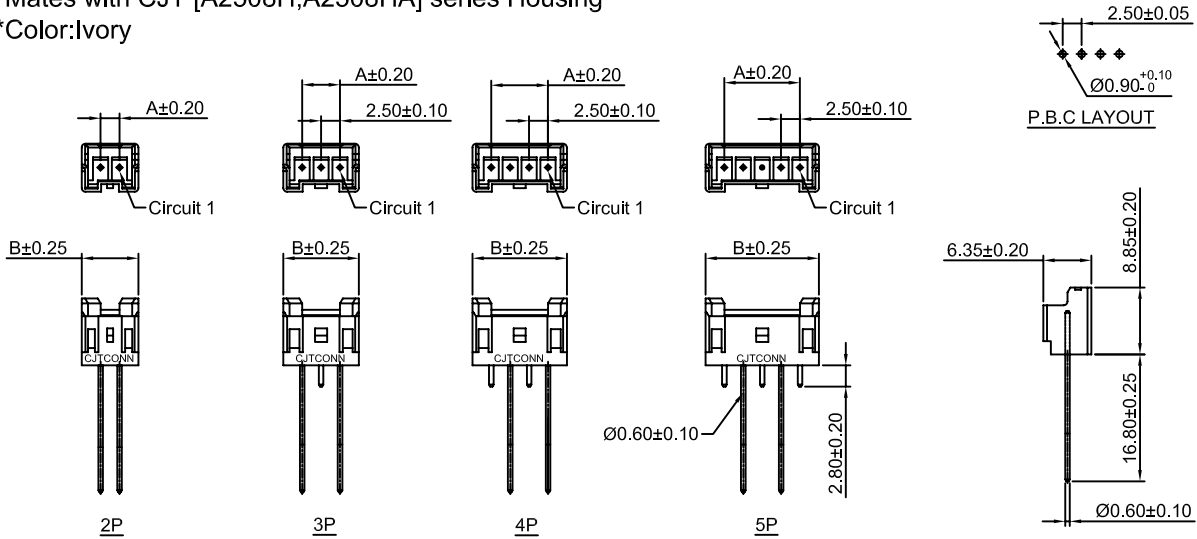
Unit: mm

## A2508WVT-XP

2.50mm pitch 180° Wafer ON RADIAL-TAPE

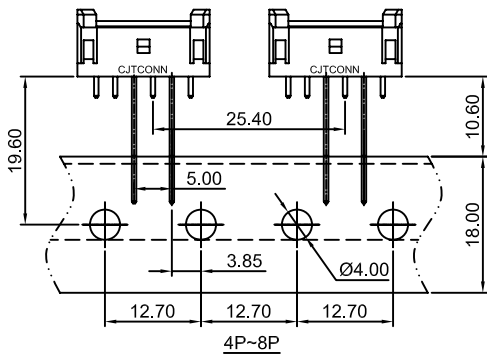
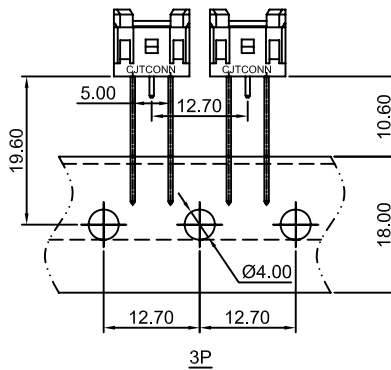
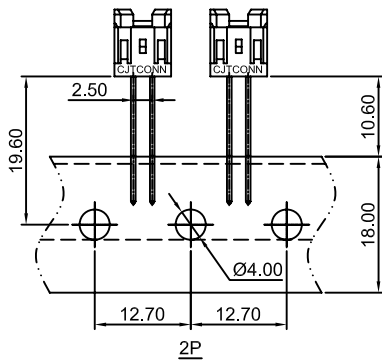
### Reference Informations:

- \*Material: Pin: Brass/Tin over Nickel  
Insulator: Nylon 66, UL94V-0
- \*Mates with CJT [A2508H, A2508HA] series Housing
- \*Color: Ivory



Ordering Information:  
A2508WVT-XP - \*\*  
1 / 2

- Part No.
- Color:  
(blank) - Ivory  
BK - Black  
RD - Red  
BL - Blue  
YL - Yellow  
GN - Green



### Ordering Information & Dimensions:

| PART NO. | Dimensions |       |
|----------|------------|-------|
|          | A          | B     |
| 2P       | 2.50       | 7.50  |
| 3P       | 5.00       | 10.00 |
| 4P       | 7.50       | 12.50 |
| 5P       | 10.00      | 15.00 |
| 6P       | 12.50      | 17.50 |
| 7P       | 15.00      | 20.00 |
| 8P       | 17.50      | 22.50 |

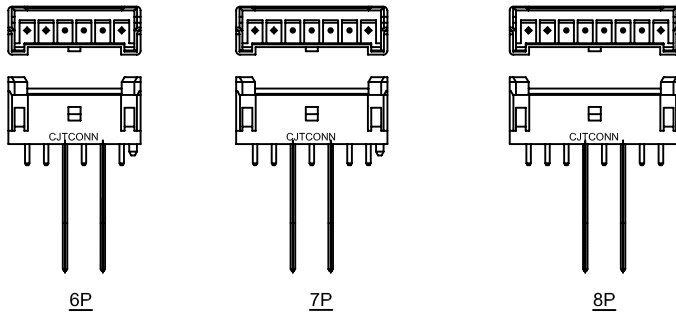
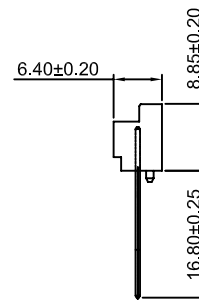
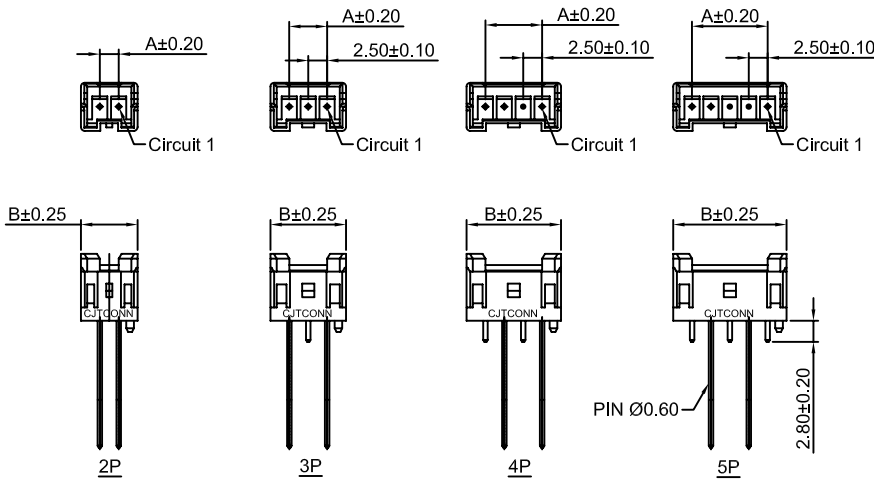
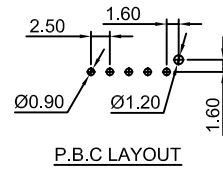
Unit: mm

## A2508WVT-F-XP

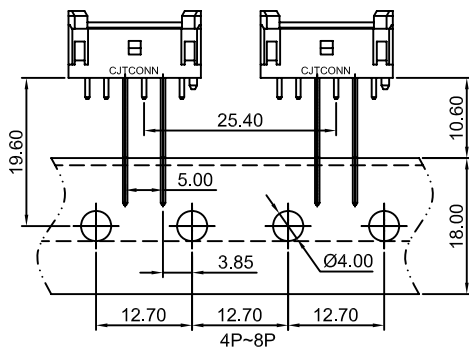
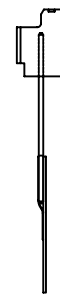
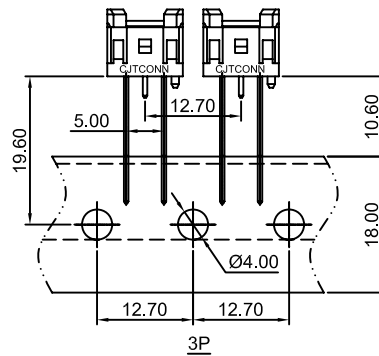
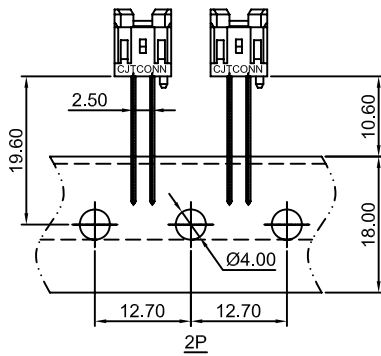
2.50mm pitch 180° Wafer ON RADIAL-TAPE

### Reference Informations:

- \*Material: Pin: Brass/Tin over Nickel  
Insulator: Nylon 66 , UL94V-0
- \*Mates with CJT [A2508H,A2508HA] series Housing
- \*Color: Ivory



- Ordering Information:  
**A2508WVT-F-XP** - \*\*  
 1                    2
1. Part No.  
 2. Color:  
 (blank) - Ivory  
 BK - Black  
 RD - Red  
 BL - Blue  
 YL - Yellow  
 GN - Green



### Ordering Information & Dimensions:

| PART NO. | Dimensions |       |
|----------|------------|-------|
|          | A          | B     |
| 2P       | 2.50       | 7.50  |
| 3P       | 5.00       | 10.00 |
| 4P       | 7.50       | 12.50 |
| 5P       | 10.00      | 15.00 |
| 6P       | 12.50      | 17.50 |
| 7P       | 15.00      | 20.00 |
| 8P       | 17.50      | 22.50 |

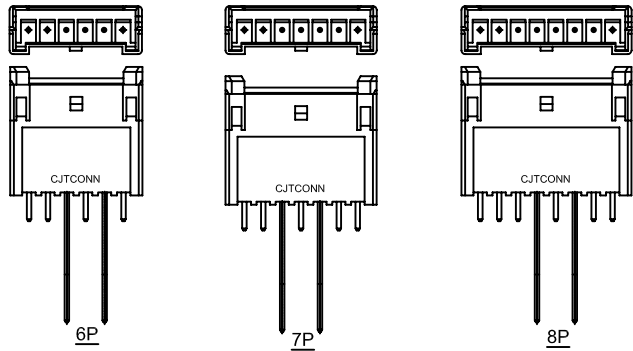
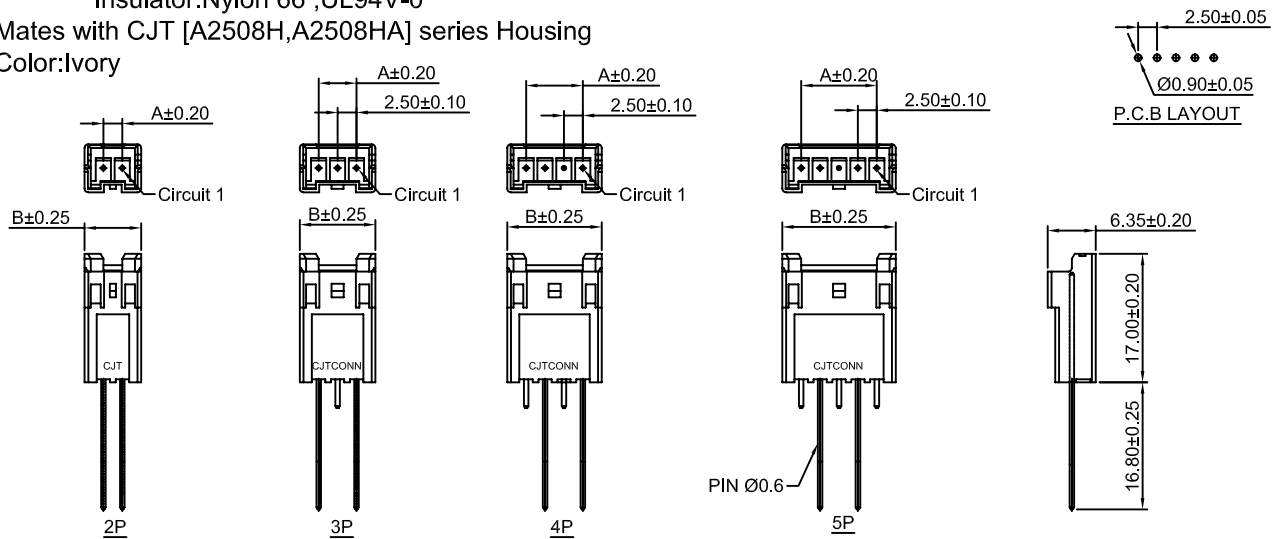
Unit: mm



## A2508WVT-XP-H — 2.50mm pitch 180° Wafer ON RADIAL-TAPE

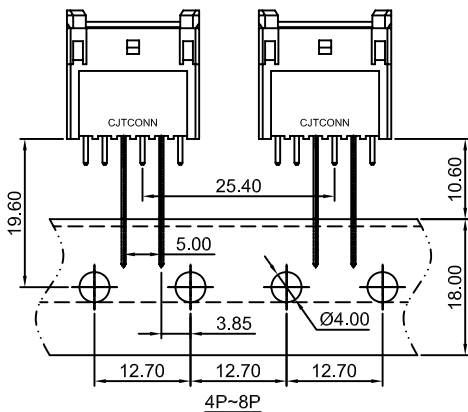
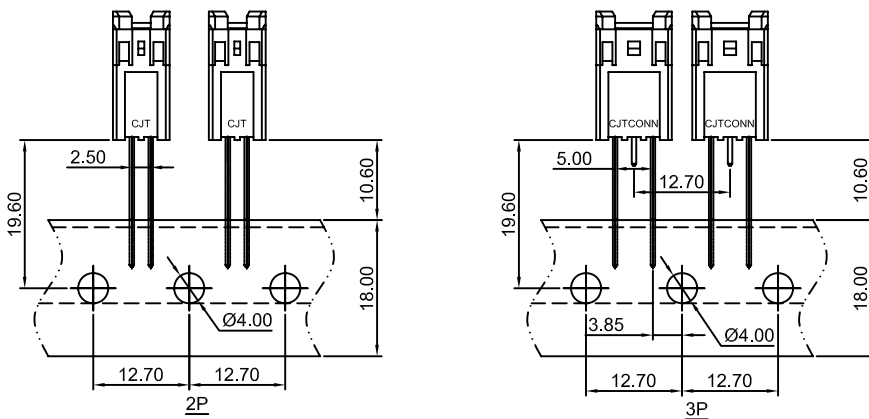
### Reference Informations:

- \*Material: Pin: Brass/Tin over Nickel  
Insulator: Nylon 66 , UL94V-0
- \*Mates with CJT [A2508H, A2508HA] series Housing
- \*Color: Ivory



Ordering Information:  
A2508WVT-XP-H - \*\*  
1 2

1. Part No.
2. Color:  
(blank) - Ivory  
BK - Black  
RD - Red  
BL - Blue  
YL - Yellow  
GN - Green



### Ordering Information & Dimensions:

| PART NO. | Dimensions |       |
|----------|------------|-------|
|          | A          | B     |
| 2P       | 2.50       | 7.50  |
| 3P       | 5.00       | 10.00 |
| 4P       | 7.50       | 12.50 |
| 5P       | 10.00      | 15.00 |
| 6P       | 12.50      | 17.50 |
| 7P       | 15.00      | 20.00 |
| 8P       | 17.50      | 22.50 |

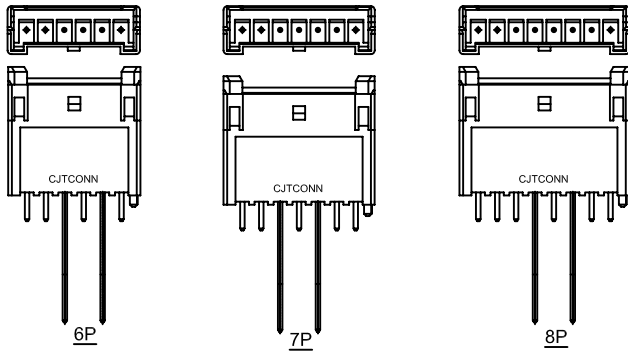
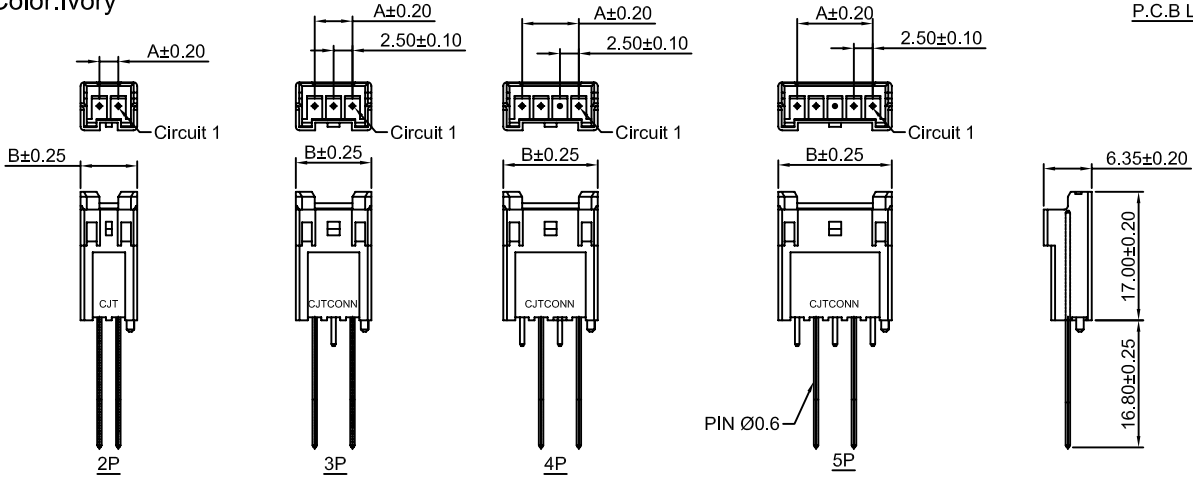
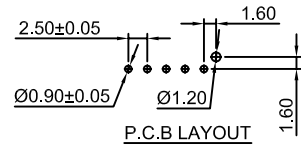
Unit: mm

## A2508WVT-F-XP-H

2.50mm pitch 180° Wafer ON RADIAL-TAPE

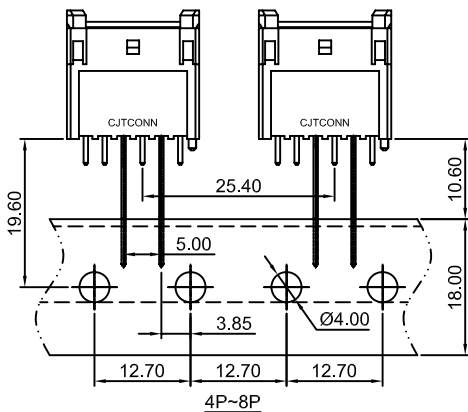
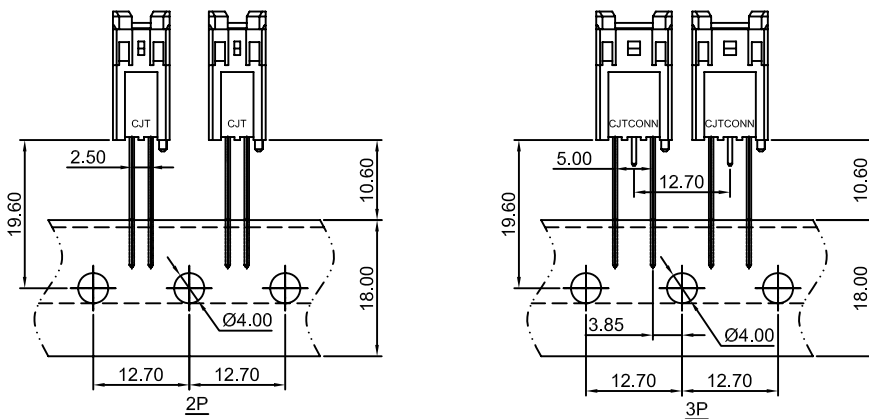
### Reference Informations:

- \*Material: Pin: Brass/Tin over Nickel  
Insulator: Nylon 66 ,UL94V-0
- \*Mates with CJT [A2508H,A2508HA] series Housing
- \*Color: Ivory



Ordering Information:  
A2508WVT-F-XP-H - \*\*  
1 2

- Part No.
- Color:  
(blank) - Ivory  
BK - Black  
RD - Red  
BL - Blue  
YL - Yellow  
GN - Green



### Ordering Information & Dimensions:

| PART NO. | Dimensions |       |
|----------|------------|-------|
|          | A          | B     |
| 2P       | 2.50       | 7.50  |
| 3P       | 5.00       | 10.00 |
| 4P       | 7.50       | 12.50 |
| 5P       | 10.00      | 15.00 |
| 6P       | 12.50      | 17.50 |
| 7P       | 15.00      | 20.00 |
| 8P       | 17.50      | 22.50 |

Unit: mm

## X-ON Electronics

Largest Supplier of Electrical and Electronic Components

*Click to view similar products for [Headers & Wire Housings](#) category:*

*Click to view products by [Changjiang](#) manufacturer:*

Other Similar products are found below :

[57102-F02-18ULF](#) [58102-G61-06LF](#) [0009485154](#) [009176003701906](#) [0050291907](#) [00-9021-0611-00-339](#) [02.125.8002.8](#) [609-3404](#) [61062-3](#)  
[622-0430](#) [622-3653LF](#) [63453-116](#) [636-1030](#) [636-1427](#) [636-3427](#) [636-4007](#) [641938-9](#) [644827-2](#) [65495-038](#) [65692-001LF](#) [65781-018](#)  
[65781-047](#) [65817-010LF](#) [65817-015LF](#) [66207-023LF](#) [67016-026LF](#) [67095-007LF](#) [68631-112](#) [68645-018](#) [68648-049](#) [699319-000](#)  
[70.362.1628.0](#) [70-4210](#) [70-4226B](#) [70-4853B](#) [707-5020](#) [707-5028](#) [71.350.2428.0](#) [71961-016LF](#) [733-134](#) [754199-000](#) [760-3052](#) [787-8014-00](#)  
[FCN-367T-T012/H](#) [80.063.4001.1](#) [800-90-001-10-001000](#) [800-90-010-10-002000](#) [801-43-002-10-013000](#) [801-43-006-10-002000](#)  
[803-41-018-10-001000](#)