

Specifications

Current rating:3A AC,DC
Voltage rating:250V AC,DC
Temperature range:-40°C~+105°C
Contact resistance:10mΩMax.
Insulation resistance:1000MΩMin.
Withstanding voltage:1000V AC/minute
Compliant with RoHS and REACH
Meet the HF/Halogen Free,need to customize
Contact CJT for details

Standards



Assembly layout

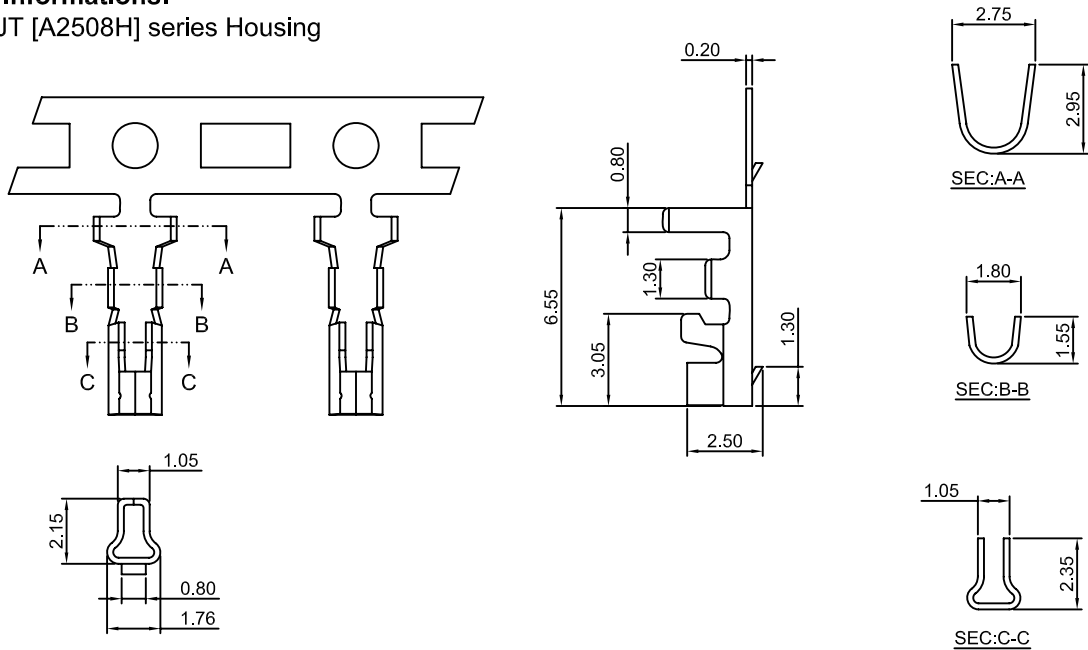


A2508-T

2.50mm Pitch Crimp Terminal

Reference Informations:

*Used in CJT [A2508H] series Housing



Ordering information & Specifications:

Unit:mm

| Part NO | Wire Range | Insulation O.D. | Material | Finish | Qty/reel |
|----------|------------|-----------------|-----------------|------------------|------------|
| A2508-TP | AWG#22-#28 | 1.90mm(max) | Phosphor Bronze | Tin over Nickel | 10,000 PCS |
| A2508-GP | AWG#22-#28 | 1.90mm(max) | Phosphor Bronze | Gold over Nickel | 10,000 PCS |

Optional Gold plating available but MOQ requested

A2508H-XP

2.50mm Pitch Housing

Reference Informations:

*Material:Nylon 66 ,UL94V-0

*Suitable CJT [A2508-T] series Terminal

*Mates with CJT [A2508WV,A2508WR,A2508WV-F,A2508WR-F, A2508WV-H,A2508WV-F-H,A2508WVT,A2508WVT-F, A2508WVT-H, A2508WVT-F-H] series Wafer

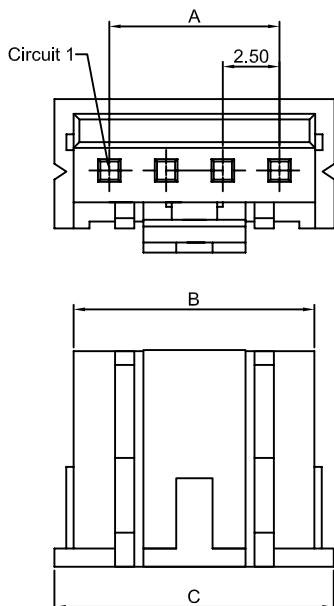
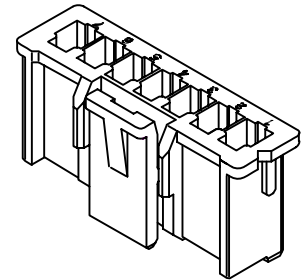
*Color:White

Ordering Information:
A2508H-XP - **
1 2

1.Part No.

2.Color:

| | |
|-----------------|-------------------|
| (blank) - White | BR - Brown |
| BK - Black | GY - Gray |
| RD - Red | PK - Pink |
| BL - Blue | LY - Lemon yellow |
| YL - Yellow | P - Purple |
| GN - Green | LE - Light blue |
| OR - Orange | FY - Vivid yellow |



Ordering Information & Dimensions:

| PART NO. | Dimensions | | |
|----------|------------|-------|-------|
| | A | B | C |
| 2P | 2.50 | 5.64 | 7.30 |
| 3P | 5.00 | 8.14 | 9.80 |
| 4P | 7.50 | 10.64 | 12.30 |
| 5P | 10.00 | 13.14 | 14.80 |
| 6P | 12.50 | 15.64 | 17.30 |
| 7P | 15.00 | 18.14 | 19.80 |
| 8P | 17.50 | 20.64 | 22.30 |
| 9P | 20.00 | 23.14 | 24.80 |
| 10P | 22.50 | 25.64 | 27.30 |
| 11P | 25.00 | 28.14 | 29.80 |
| 12P | 27.50 | 30.64 | 32.30 |
| 13P | 30.00 | 33.14 | 34.80 |
| 14P | 32.50 | 35.64 | 37.30 |
| 15P | 35.00 | 38.14 | 39.80 |

Unit: mm

A2508HA-XP

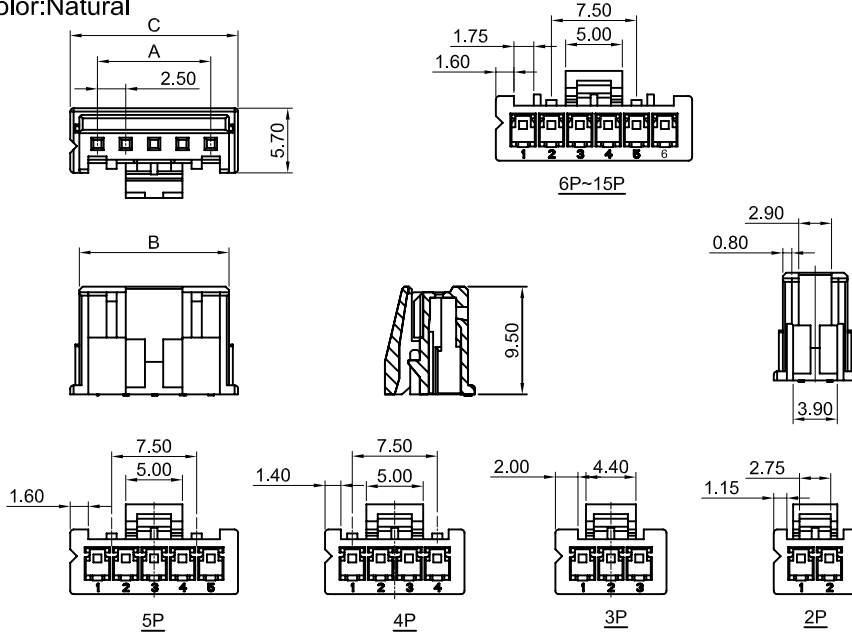
2.50mm Pitch Housing

Reference Informations:

- *Material:Nylon 66 ,UL94V-0
- *Suitable CJT [A2508-T] series Terminal
- *Mates with CJT [A2508WV,A2508WR,A2508WV-F,A2508WR-F, A2508WV-H,A2508WV-F-H,A2508WVT,A2508WVT-F, A2508WVT-H, A2508WVT-F-H] series Wafer
- *Color:Natural

Ordering Information:
A2508HA-XP - ** - **
1 2 3

- Part No.
- Material:
(blank):Nylon 66,UL94V-0
GWT:Nylon 66,UL94V-0 ,GWT 750 °C
- Color:
(blank) - Natural
BK - Black
RD - Red
BL - Blue
YL - Yellow
GN - Green



Ordering Information & Dimensions:

| PART NO. | Dimensions | | |
|----------|------------|-------|-------|
| | A | B | C |
| 2P | 2.50 | 5.70 | 7.30 |
| 3P | 5.00 | 8.20 | 9.80 |
| 4P | 7.50 | 10.70 | 12.30 |
| 5P | 10.00 | 13.20 | 14.80 |
| 6P | 12.50 | 15.70 | 17.30 |
| 7P | 15.00 | 18.20 | 19.80 |
| 8P | 17.50 | 20.70 | 22.30 |
| 9P | 20.00 | 23.20 | 24.80 |
| 10P | 22.50 | 25.70 | 27.30 |
| 11P | 25.00 | 28.20 | 29.80 |
| 12P | 27.50 | 30.70 | 32.30 |
| 13P | 30.00 | 33.20 | 34.80 |
| 14P | 32.50 | 35.70 | 37.30 |
| 15P | 35.00 | 38.20 | 39.80 |

Unit: mm

A2508SA-XP

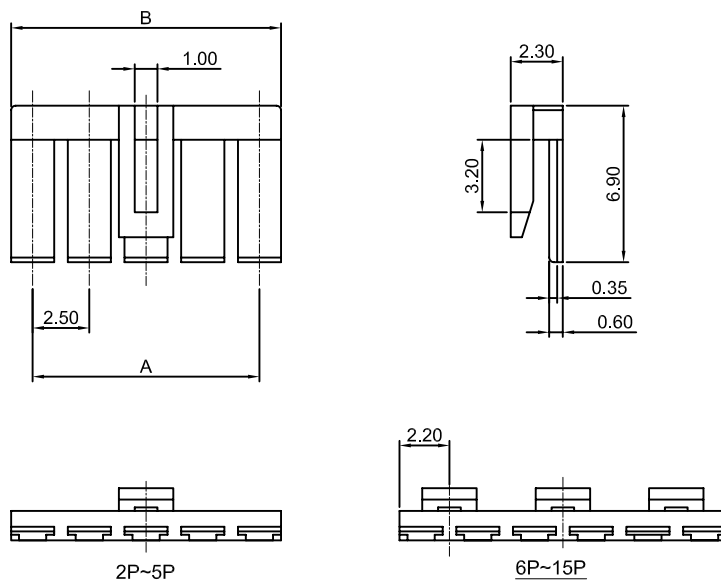
2.50mm Pitch Seal

Reference Informations:

- *Material:Nylon 66 ,UL94V-0
- *Mates with CJT [A2508HA] series Housing
- *Color:Natural

Ordering Information:
A2508SA-XP - **
1 2

- Part No.
- Material:
(blank):Nylon 66,UL94V-0
GWT:Nylon 66,UL94V-0 ,GWT 750 °C



Ordering Information & Dimensions:

| PART NO. | Dimensions | |
|----------|------------|-------|
| | A | B |
| 2P | 2.50 | 4.40 |
| 3P | 5.00 | 6.90 |
| 4P | 7.50 | 9.40 |
| 5P | 10.00 | 11.90 |
| 6P | 12.50 | 14.40 |
| 7P | 15.00 | 16.90 |
| 8P | 17.50 | 19.40 |
| 9P | 20.00 | 21.90 |
| 10P | 22.50 | 24.40 |
| 11P | 25.00 | 26.90 |
| 12P | 27.50 | 29.40 |
| 13P | 30.00 | 31.90 |
| 14P | 32.50 | 34.40 |
| 15P | 35.00 | 36.90 |

Unit: mm

A2508WV-XP

2.50mm Pitch 180° Wafer

Reference Informations:

- *Material:Pin:Brass/Tin over Nickel
Insulator:Nylon 66 ,UL94V-0
- *Mates with CJT [A2508H,A2508HA] series Housing
- *Color:Ivory

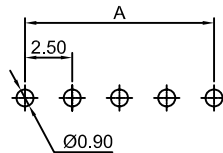
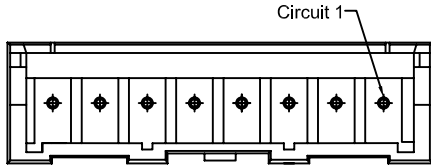
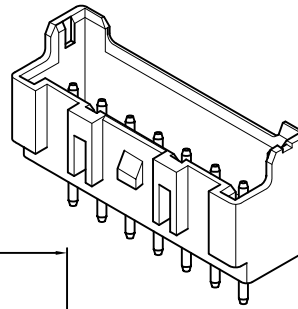
Ordering Information:

A2508WV-XP - **
1 2

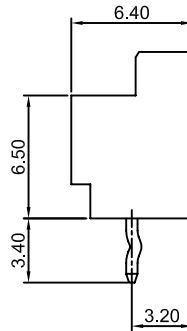
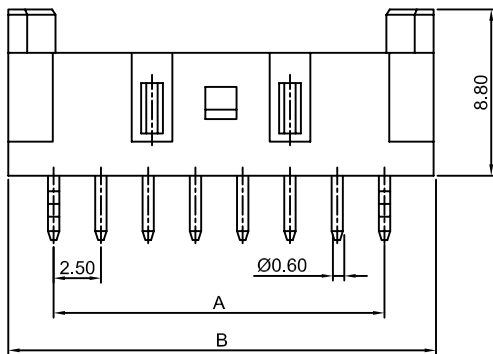
1.Part No.

2.Color:

| | |
|-----------------|-------------------|
| (blank) - Ivory | BR - Brown |
| BK - Black | GY - Gray |
| RD - Red | PK - Pink |
| BL - Blue | LY - Lemon yellow |
| YL - Yellow | P - Purple |
| GN - Green | LE - Light blue |
| OR - Orange | FY - Vivid yellow |
| WH - White | |



P.B.C LAYOUT



Ordering Information & Dimensions:

| PART NO. | Dimensions | |
|----------|------------|-------|
| | A | B |
| 2P | 2.50 | 7.50 |
| 3P | 5.00 | 10.00 |
| 4P | 7.50 | 12.50 |
| 5P | 10.00 | 15.00 |
| 6P | 12.50 | 17.50 |
| 7P | 15.00 | 20.00 |
| 8P | 17.50 | 22.50 |
| 9P | 20.00 | 25.00 |
| 10P | 22.50 | 27.50 |
| 11P | 25.00 | 30.00 |
| 12P | 27.50 | 32.50 |
| 13P | 30.00 | 35.00 |
| 14P | 32.50 | 37.50 |
| 15P | 35.00 | 40.00 |

Unit: mm

A2508WR-XP

2.50mm Pitch 90° Wafer

Reference Informations:

- *Material:Pin:Brass/Tin over Nickel
Insulator:Nylon 66 ,UL94V-0
- *Mates with CJT [A2508H,A2508HA] series Housing
- *Color:Ivory

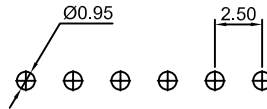
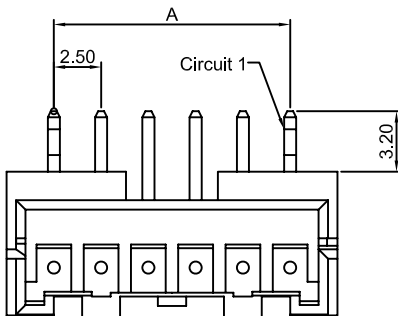
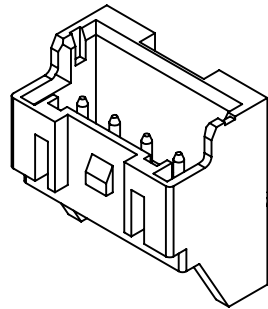
Ordering Information:

A2508WR-XP - **
1 2

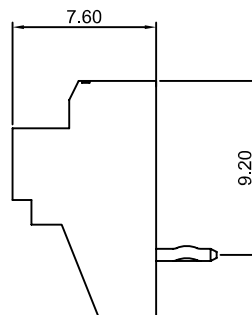
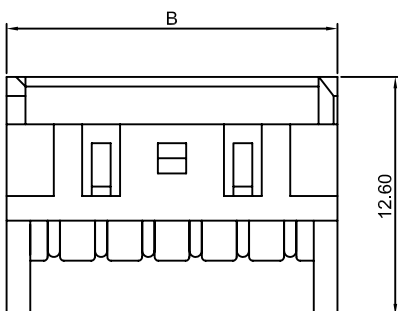
1.Part No.

2.Color:

| | |
|-----------------|-------------------|
| (blank) - Ivory | BR - Brown |
| BK - Black | GY - Gray |
| RD - Red | PK - Pink |
| BL - Blue | LY - Lemon yellow |
| YL - Yellow | P - Purple |
| GN - Green | LE - Light blue |
| OR - Orange | FY - Vivid yellow |
| WH - White | |



P.C.B LAYOUT



Ordering Information & Dimensions:

| PART NO. | Dimensions | |
|----------|------------|-------|
| | A | B |
| 2P | 2.50 | 7.50 |
| 3P | 5.00 | 10.00 |
| 4P | 7.50 | 12.50 |
| 5P | 10.00 | 15.00 |
| 6P | 12.50 | 17.50 |
| 7P | 15.00 | 20.00 |
| 8P | 17.50 | 22.50 |
| 9P | 20.00 | 25.00 |
| 10P | 22.50 | 27.50 |
| 11P | 25.00 | 30.00 |
| 12P | 27.50 | 32.50 |
| 13P | 30.00 | 35.00 |
| 14P | 32.50 | 37.50 |
| 15P | 35.00 | 40.00 |

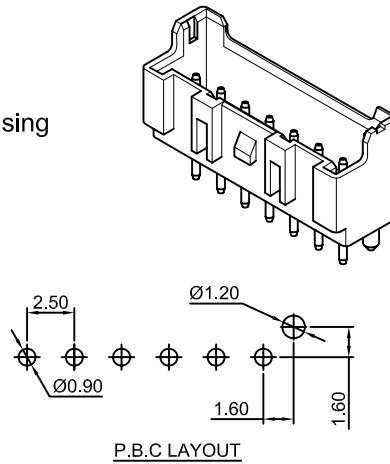
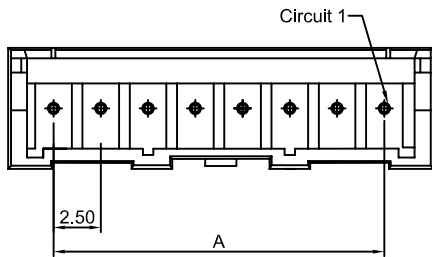
Unit: mm

A2508WV-F-XP

2.50mm Pitch 180° Wafer

Reference Informations:

- *Material:Pin:Brass/Tin over Nickel
Insulator:Nylon 66 ,UL94V-0
- *Mates with CJT [A2508H,A2508HA] series Housing
- *Color:Ivory



Ordering Information:
A2508WV-F-XP - **
1 2

- 1.Part No.
2.Color:
- | | |
|-----------------|-------------------|
| (blank) - Ivory | BR - Brown |
| BK - Black | GY - Gray |
| RD - Red | PK - Pink |
| BL - Blue | LY - Lemon yellow |
| YL - Yellow | P - Purple |
| GN - Green | LE - Light blue |
| OR - Orange | FY - Vivid yellow |
| WH - White | |

Ordering Information & Dimensions:

| PART NO. | Dimensions | |
|----------|------------|-------|
| | A | B |
| 2P | 2.50 | 7.50 |
| 3P | 5.00 | 10.00 |
| 4P | 7.50 | 12.50 |
| 5P | 10.00 | 15.00 |
| 6P | 12.50 | 17.50 |
| 7P | 15.00 | 20.00 |
| 8P | 17.50 | 22.50 |
| 9P | 20.00 | 25.00 |
| 10P | 22.50 | 27.50 |
| 11P | 25.00 | 30.00 |
| 12P | 27.50 | 32.50 |
| 13P | 30.00 | 35.00 |
| 14P | 32.50 | 37.50 |
| 15P | 35.00 | 40.00 |

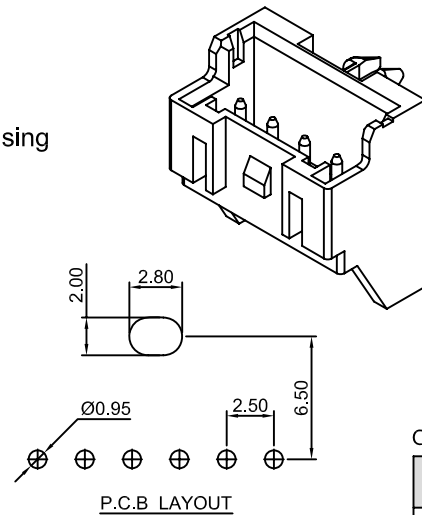
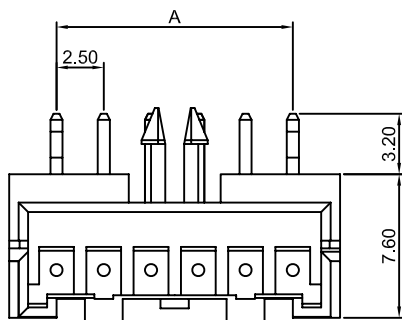
Unit: mm

A2508WR-F-XP

2.50mm Pitch 90° Wafer

Reference Informations:

- *Material:Pin:Brass/Tin over Nickel
Insulator:Nylon 66 ,UL94V-0
- *Mates with CJT [A2508H,A2508HA] series Housing
- *Color:Ivory



Ordering Information:
A2508WR-F-XP - **
1 2

- 1.Part No.
2.Color:
- | | |
|-----------------|-------------------|
| (blank) - Ivory | BR - Brown |
| BK - Black | GY - Gray |
| RD - Red | PK - Pink |
| BL - Blue | LY - Lemon yellow |
| YL - Yellow | P - Purple |
| GN - Green | LE - Light blue |
| OR - Orange | FY - Vivid yellow |
| WH - White | |

Ordering Information & Dimensions:

| PART NO. | Dimensions | |
|----------|------------|-------|
| | A | B |
| 2P | 2.50 | 7.50 |
| 3P | 5.00 | 10.00 |
| 4P | 7.50 | 12.50 |
| 5P | 10.00 | 15.00 |
| 6P | 12.50 | 17.50 |
| 7P | 15.00 | 20.00 |
| 8P | 17.50 | 22.50 |
| 9P | 20.00 | 25.00 |
| 10P | 22.50 | 27.50 |
| 11P | 25.00 | 30.00 |
| 12P | 27.50 | 32.50 |
| 13P | 30.00 | 35.00 |
| 14P | 32.50 | 37.50 |
| 15P | 35.00 | 40.00 |

Unit: mm

A2508WV-XP-H — 2.50mm Pitch 180° Wafer-High box type

Reference Informations:

- *Material: Pin: Brass/Tin over Nickel
Insulator: Nylon 66 ,UL94V-0
- *Mates with CJT [A2508H,A2508HA] series Housing
- *Color: Ivory

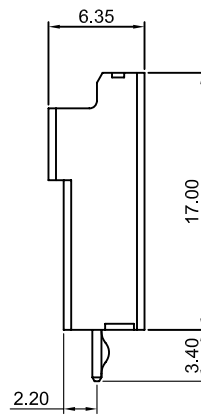
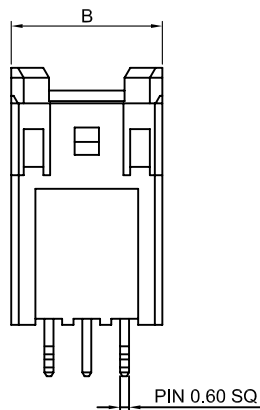
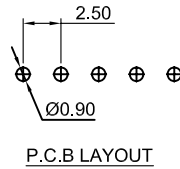
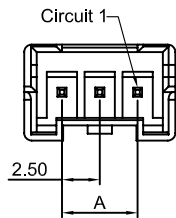
Ordering Information:

A2508WV-XP-H - **
1 2

1. Part No.

2. Color:

| | |
|-----------------|-------------------|
| (blank) - Ivory | BR - Brown |
| BK - Black | GY - Gray |
| RD - Red | PK - Pink |
| BL - Blue | LY - Lemon yellow |
| YL - Yellow | P - Purple |
| GN - Green | LE - Light blue |
| OR - Orange | FY - Vivid yellow |
| WH - White | |



Ordering Information & Dimensions:

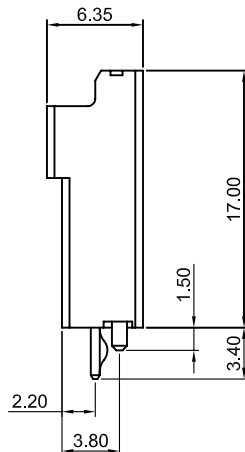
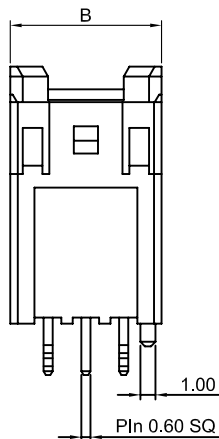
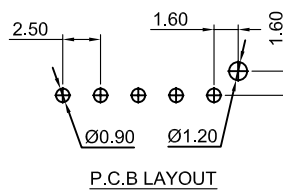
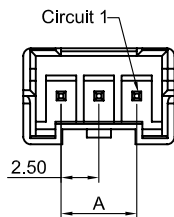
| PART NO. | Dimensions | |
|----------|------------|-------|
| | A | B |
| 2P | 2.50 | 7.50 |
| 3P | 5.00 | 10.00 |
| 4P | 7.50 | 12.50 |
| 5P | 10.00 | 15.00 |
| 6P | 12.50 | 17.50 |
| 7P | 15.00 | 20.00 |
| 8P | 17.50 | 22.50 |
| 9P | 20.00 | 25.00 |
| 10P | 22.50 | 27.50 |
| 11P | 25.00 | 30.00 |
| 12P | 27.50 | 32.50 |
| 13P | 30.00 | 35.00 |
| 14P | 32.50 | 37.50 |
| 15P | 35.00 | 40.00 |

Unit: mm

A2508WV-F-XP-H — 2.50mm Pitch 180° Wafer-High box type

Reference Informations:

- *Material: Pin: Brass/Tin over Nickel
Insulator: Nylon 66 ,UL94V-0
- *Mates with CJT [A2508H,A2508HA] series Housing
- *Color: Ivory



Ordering Information & Dimensions:

| PART NO. | Dimensions | |
|----------|------------|-------|
| | A | B |
| 2P | 2.50 | 7.50 |
| 3P | 5.00 | 10.00 |
| 4P | 7.50 | 12.50 |
| 5P | 10.00 | 15.00 |
| 6P | 12.50 | 17.50 |
| 7P | 15.00 | 20.00 |
| 8P | 17.50 | 22.50 |
| 9P | 20.00 | 25.00 |
| 10P | 22.50 | 27.50 |
| 11P | 25.00 | 30.00 |
| 12P | 27.50 | 32.50 |
| 13P | 30.00 | 35.00 |
| 14P | 32.50 | 37.50 |
| 15P | 35.00 | 40.00 |

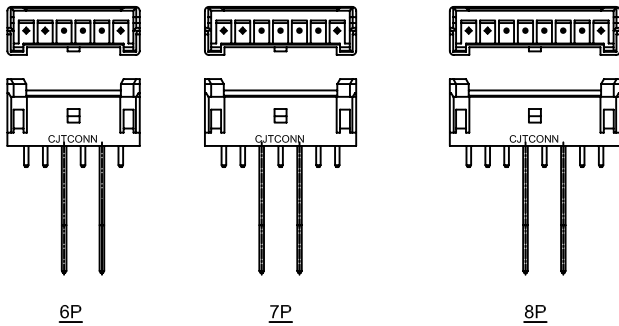
Unit: mm

A2508WVT-XP

2.50mm pitch 180° Wafer ON RADIAL-TAPE

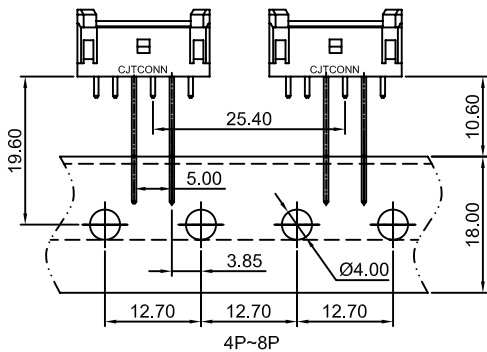
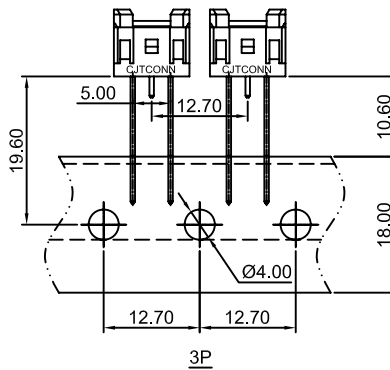
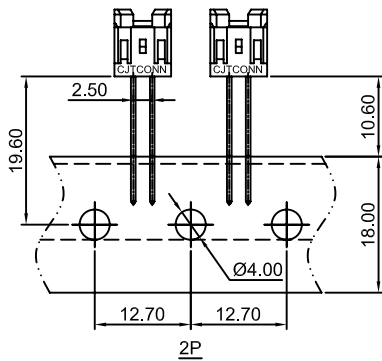
Reference Informations:

- *Material: Pin: Brass/Tin over Nickel
Insulator: Nylon 66, UL94V-0
- *Mates with CJT [A2508H, A2508HA] series Housing
- *Color: Ivory



Ordering Information:
A2508WVT-XP - **
1 / 2

- Part No.
- Color:
(blank) - Ivory
BK - Black
RD - Red
BL - Blue
YL - Yellow
GN - Green



Ordering Information & Dimensions:

| PART NO. | Dimensions | |
|----------|------------|-------|
| | A | B |
| 2P | 2.50 | 7.50 |
| 3P | 5.00 | 10.00 |
| 4P | 7.50 | 12.50 |
| 5P | 10.00 | 15.00 |
| 6P | 12.50 | 17.50 |
| 7P | 15.00 | 20.00 |
| 8P | 17.50 | 22.50 |

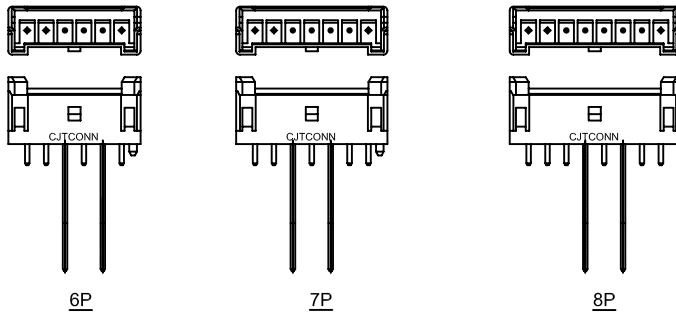
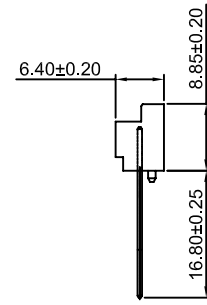
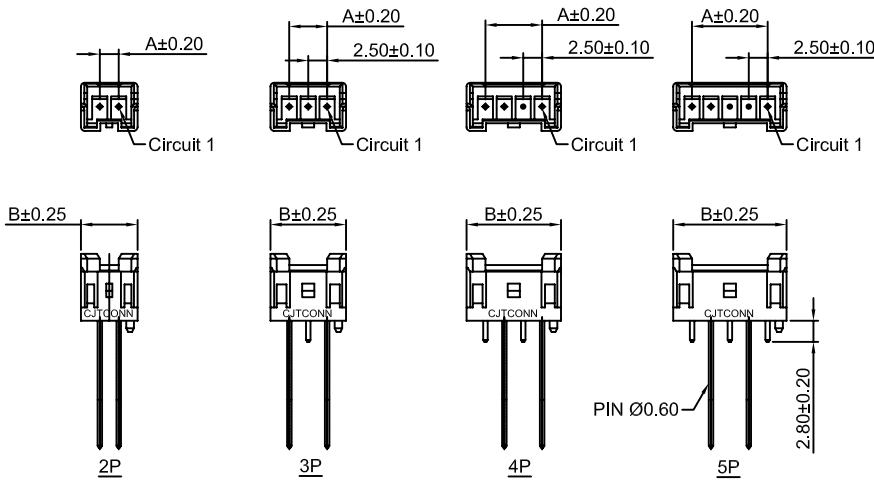
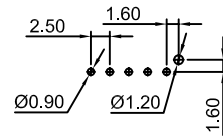
Unit: mm

A2508WVT-F-XP

2.50mm pitch 180° Wafer ON RADIAL-TAPE

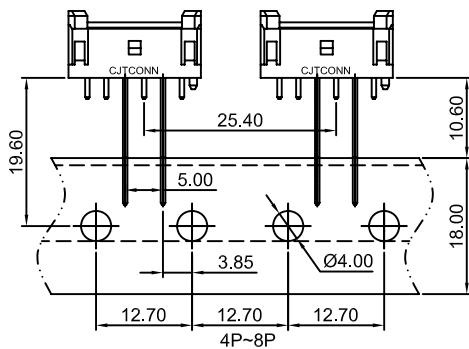
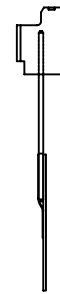
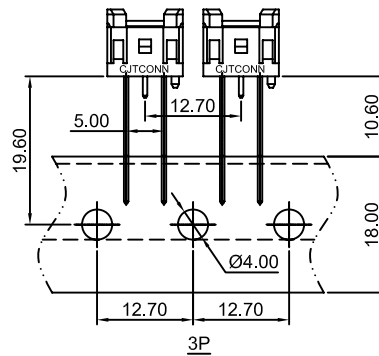
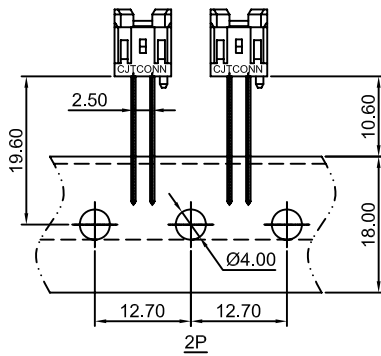
Reference Informations:

- *Material: Pin: Brass/Tin over Nickel
Insulator: Nylon 66 , UL94V-0
- *Mates with CJT [A2508H,A2508HA] series Housing
- *Color: Ivory



Ordering Information:
A2508WVT-F-XP - **
1 2

1. Part No.
2. Color:
(blank) - Ivory
BK - Black
RD - Red
BL - Blue
YL - Yellow
GN - Green



Ordering Information & Dimensions:

| PART NO. | Dimensions | |
|----------|------------|-------|
| | A | B |
| 2P | 2.50 | 7.50 |
| 3P | 5.00 | 10.00 |
| 4P | 7.50 | 12.50 |
| 5P | 10.00 | 15.00 |
| 6P | 12.50 | 17.50 |
| 7P | 15.00 | 20.00 |
| 8P | 17.50 | 22.50 |

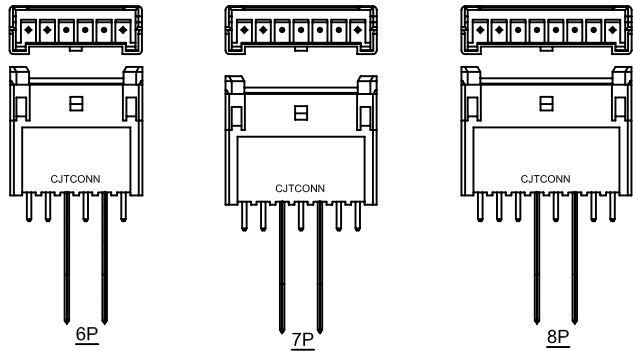
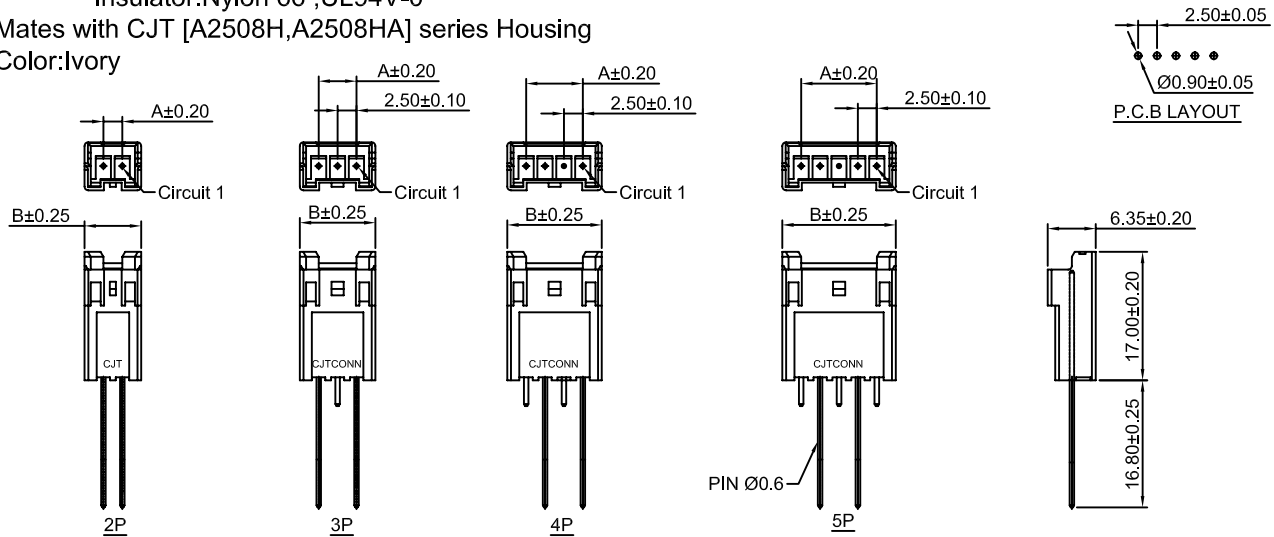
Unit: mm

A2508WVT-XP-H

2.50mm pitch 180° Wafer ON RADIAL-TAPE

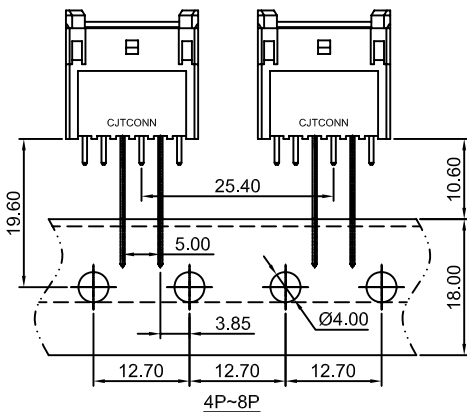
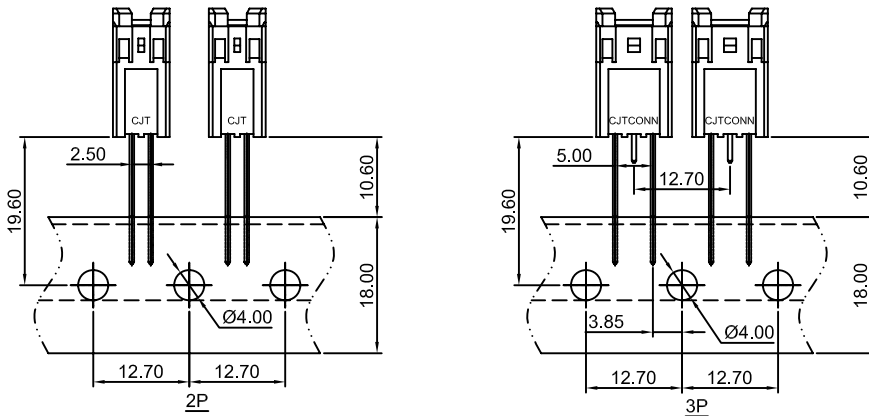
Reference Informations:

- *Material: Pin: Brass/Tin over Nickel
Insulator: Nylon 66 ,UL94V-0
- *Mates with CJT [A2508H,A2508HA] series Housing
- *Color: Ivory



Ordering Information:
A2508WVT-XP-H - **

1. Part No.
2. Color:
(blank) - Ivory
BK - Black
RD - Red
BL - Blue
YL - Yellow
GN - Green



Ordering Information & Dimensions:

| PART NO. | Dimensions | |
|----------|------------|-------|
| | A | B |
| 2P | 2.50 | 7.50 |
| 3P | 5.00 | 10.00 |
| 4P | 7.50 | 12.50 |
| 5P | 10.00 | 15.00 |
| 6P | 12.50 | 17.50 |
| 7P | 15.00 | 20.00 |
| 8P | 17.50 | 22.50 |

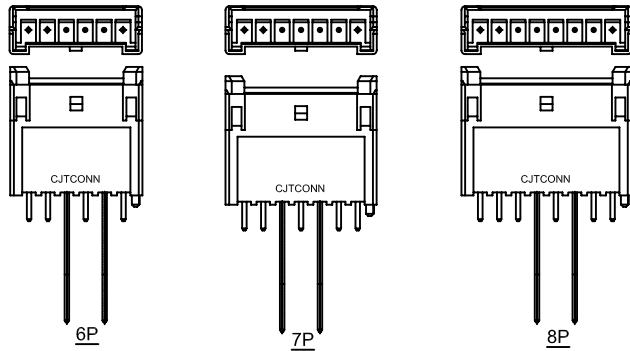
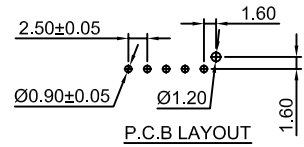
Unit: mm

A2508WVT-F-XP-H

2.50mm pitch 180° Wafer ON RADIAL-TAPE

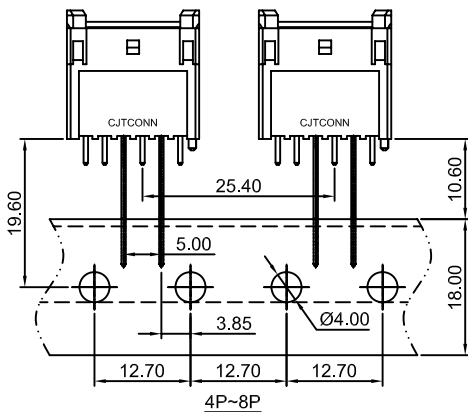
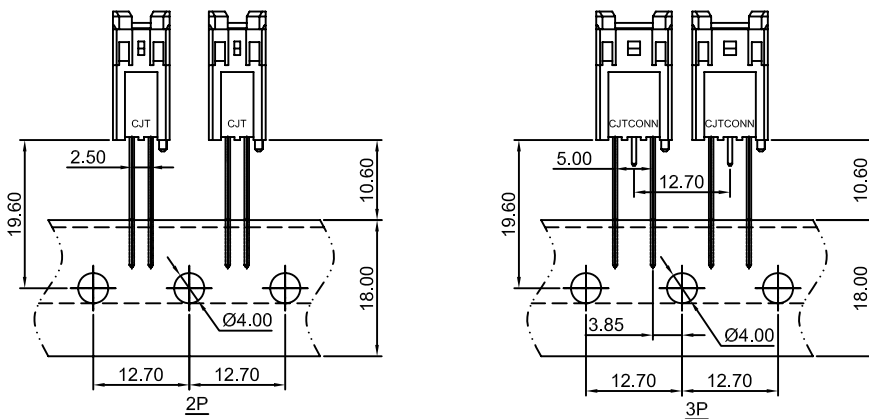
Reference Informations:

- *Material: Pin: Brass/Tin over Nickel
Insulator: Nylon 66, UL94V-0
- *Mates with CJT [A2508H, A2508HA] series Housing
- *Color: Ivory



Ordering Information:
A2508WVT-F-XP-H - **
1 2

- Part No.
- Color:
(blank) - Ivory
BK - Black
RD - Red
BL - Blue
YL - Yellow
GN - Green



Ordering Information & Dimensions:

| PART NO. | Dimensions | |
|----------|------------|-------|
| | A | B |
| 2P | 2.50 | 7.50 |
| 3P | 5.00 | 10.00 |
| 4P | 7.50 | 12.50 |
| 5P | 10.00 | 15.00 |
| 6P | 12.50 | 17.50 |
| 7P | 15.00 | 20.00 |
| 8P | 17.50 | 22.50 |

Unit: mm

X-ON Electronics

Largest Supplier of Electrical and Electronic Components

Click to view similar products for [Headers & Wire Housings](#) category:

Click to view products by [Changjiang](#) manufacturer:

Other Similar products are found below :

[57102-F02-18ULF](#) [58102-G61-06LF](#) [0009485154](#) [009176003701906](#) [0050291907](#) [02.125.8002.8](#) [609-3404](#) [61062-3](#) [622-0430](#) [622-3653LF](#)
[63453-116](#) [636-1030](#) [636-1427](#) [636-3427](#) [636-4007](#) [641938-9](#) [644827-2](#) [65495-038](#) [65692-001LF](#) [65781-018](#) [65781-047](#) [65817-010LF](#)
[65817-015LF](#) [66207-023LF](#) [67016-026LF](#) [67095-007LF](#) [68631-112](#) [68645-018](#) [68648-049](#) [699319-000](#) [70.362.1628.0](#) [70-4210](#) [70-4226B](#)
[70-4853B](#) [707-5020](#) [707-5028](#) [71.350.2428.0](#) [71961-016LF](#) [733-134](#) [754199-000](#) [760-3052](#) [787-8014-00](#) [FCN-367T-T012/H](#) [80.063.4001.1](#)
[800-90-001-10-001000](#) [800-90-010-10-002000](#) [801-43-002-10-013000](#) [801-43-006-10-002000](#) [803-41-018-10-001000](#) [803-43-014-20-](#)
[001000](#)