

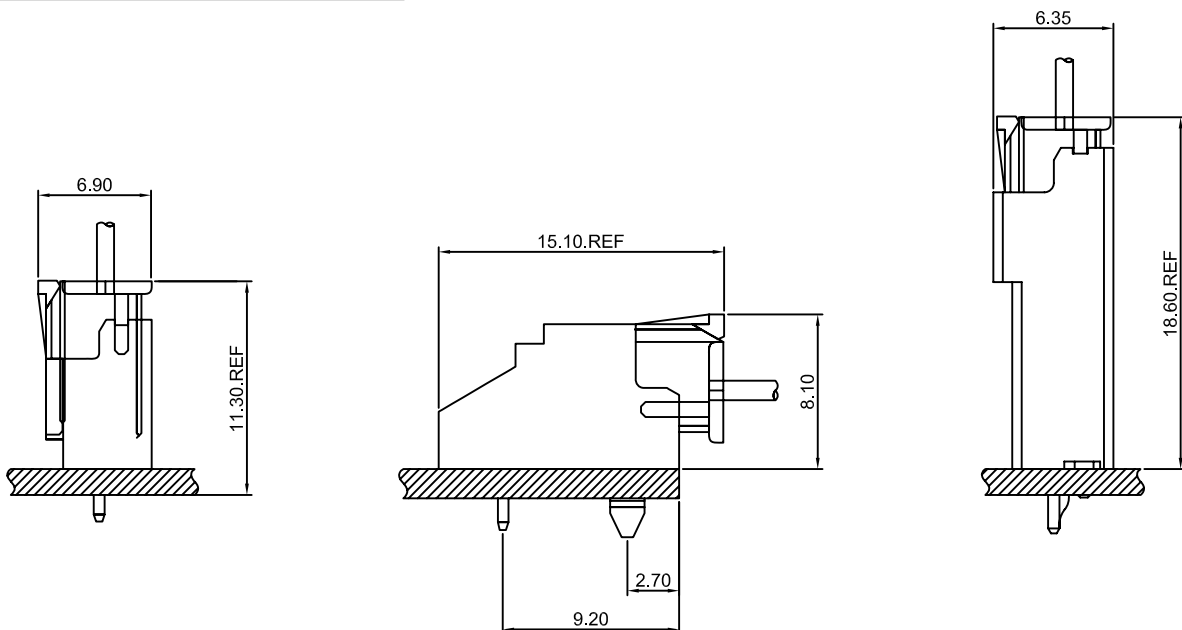
## Specifications

Current rating:3A AC,DC  
Voltage rating:250V AC,DC  
Temperature range:-40°C~+105°C  
Contact resistance:10mΩMax.  
Insulation resistance:1000MΩMin.  
Withstanding voltage:1000V AC/minute  
\*Compliant with RoHS and REACH\*  
\*Meet the HF/Halogen Free,need to customize\*  
\*Contact CJT for details\*

## Standards



## Assembly layout

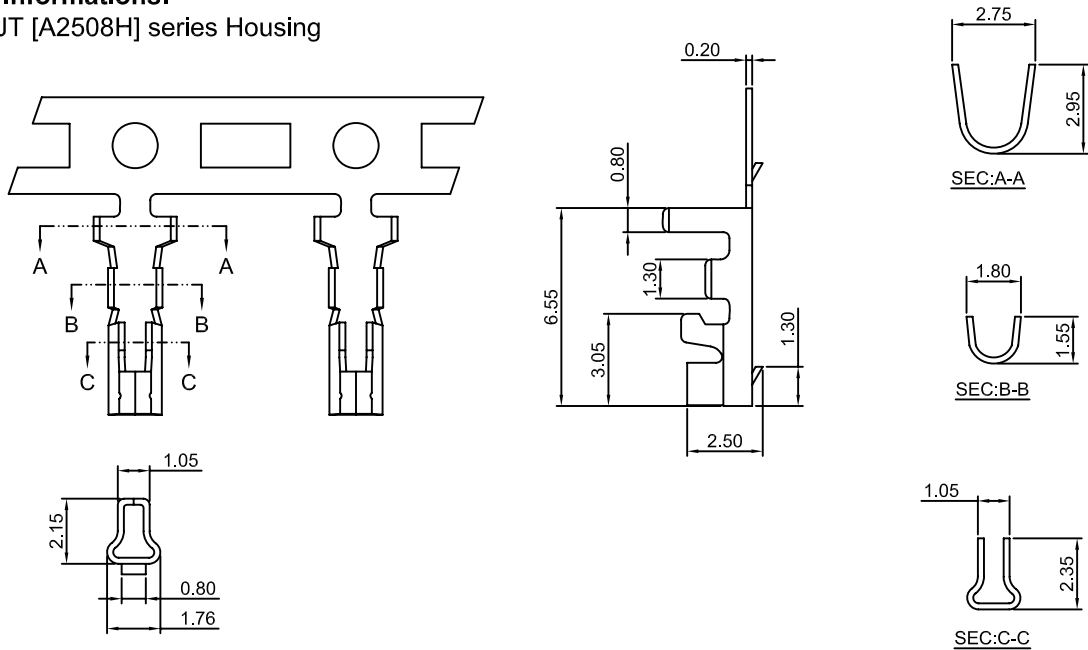


## A2508-T

2.50mm Pitch Crimp Terminal

### Reference Informations:

\*Used in CJT [A2508H] series Housing



### Ordering information & Specifications:

Unit:mm

Part NO	Wire Range	Insulation O.D.	Material	Finish	Qty/reel
A2508-TP	AWG#22-#28	1.90mm(max)	Phosphor Bronze	Tin over Nickel	10,000 PCS
A2508-GP	AWG#22-#28	1.90mm(max)	Phosphor Bronze	Gold over Nickel	10,000 PCS

Optional Gold plating available but MOQ requested

## A2508H-XP

2.50mm Pitch Housing

### Reference Informations:

\*Material:Nylon 66 ,UL94V-0

\*Suitable CJT [A2508-T] series Terminal

\*Mates with CJT [A2508WV,A2508WR,A2508WV-F,A2508WR-F, A2508WV-H,A2508WV-F-H,A2508WVT,A2508WVT-F, A2508WVT-H, A2508WVT-F-H] series Wafer

\*Color:White

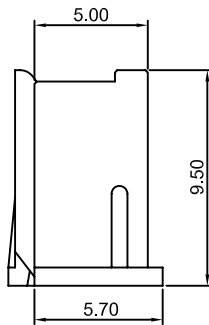
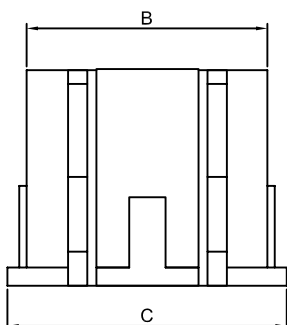
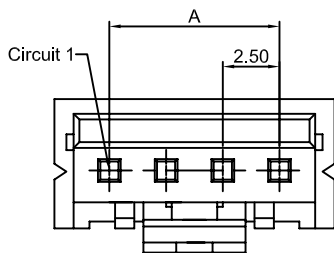
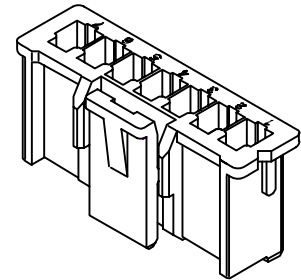
### Ordering Information:

A2508H-XP - \*\*  
1      2

1.Part No.

2.Color:

(blank) - White	BR - Brown
BK - Black	GY - Gray
RD - Red	PK - Pink
BL - Blue	LY - Lemon yellow
YL - Yellow	P - Purple
GN - Green	LE - Light blue
OR - Orange	FY - Vivid yellow



### Ordering Information & Dimensions:

PART NO.	Dimensions		
	A	B	C
2P	2.50	5.64	7.30
3P	5.00	8.14	9.80
4P	7.50	10.64	12.30
5P	10.00	13.14	14.80
6P	12.50	15.64	17.30
7P	15.00	18.14	19.80
8P	17.50	20.64	22.30
9P	20.00	23.14	24.80
10P	22.50	25.64	27.30
11P	25.00	28.14	29.80
12P	27.50	30.64	32.30
13P	30.00	33.14	34.80
14P	32.50	35.64	37.30
15P	35.00	38.14	39.80

Unit: mm

## A2508HA-XP

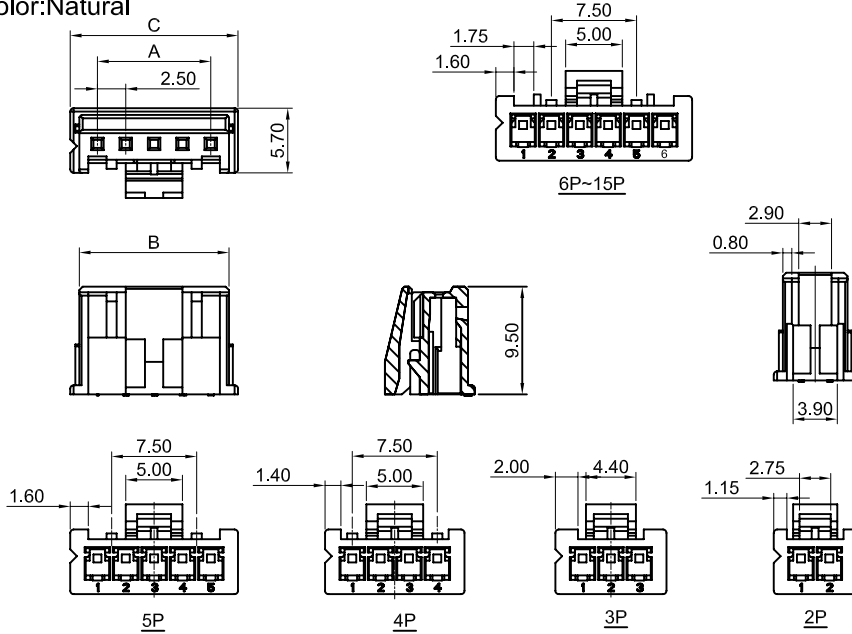
2.50mm Pitch Housing

### Reference Informations:

- \*Material:Nylon 66 ,UL94V-0
- \*Suitable CJT [A2508-T] series Terminal
- \*Mates with CJT [A2508WV,A2508WR,A2508WV-F,A2508WR-F,A2508WV-H,A2508WV-F-H,A2508WVT,A2508WVT-F, A2508WVT-H,A2508WVT-F-H] series Wafer
- \*Color:Natural

Ordering Information:  
A2508HA-XP - \*\* - \*\*  
1 2 3

- Part No.
- Material:  
(blank):Nylon 66,UL94V-0  
GWT:Nylon 66,UL94V-0 ,GWT 750 °C
- Color:  
(blank) - Natural  
BK - Black  
RD - Red  
BL - Blue  
YL - Yellow  
GN - Green



### Ordering Information & Dimensions:

PART NO.	Dimensions		
	A	B	C
2P	2.50	5.70	7.30
3P	5.00	8.20	9.80
4P	7.50	10.70	12.30
5P	10.00	13.20	14.80
6P	12.50	15.70	17.30
7P	15.00	18.20	19.80
8P	17.50	20.70	22.30
9P	20.00	23.20	24.80
10P	22.50	25.70	27.30
11P	25.00	28.20	29.80
12P	27.50	30.70	32.30
13P	30.00	33.20	34.80
14P	32.50	35.70	37.30
15P	35.00	38.20	39.80

Unit: mm

## A2508SA-XP

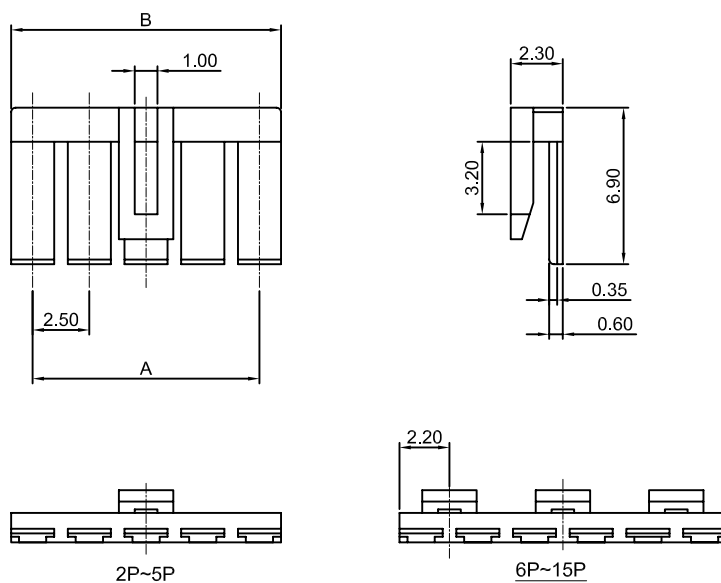
2.50mm Pitch Seal

### Reference Informations:

- \*Material:Nylon 66 ,UL94V-0
- \*Mates with CJT [A2508HA] series Housing
- \*Color:Natural

Ordering Information:  
A2508SA-XP - \*\*  
1 2

- Part No.
- Material:  
(blank):Nylon 66,UL94V-0  
GWT:Nylon 66,UL94V-0 ,GWT 750 °C



### Ordering Information & Dimensions:

PART NO.	Dimensions	
	A	B
2P	2.50	4.40
3P	5.00	6.90
4P	7.50	9.40
5P	10.00	11.90
6P	12.50	14.40
7P	15.00	16.90
8P	17.50	19.40
9P	20.00	21.90
10P	22.50	24.40
11P	25.00	26.90
12P	27.50	29.40
13P	30.00	31.90
14P	32.50	34.40
15P	35.00	36.90

Unit: mm

## A2508WV-XP

2.50mm Pitch 180° Wafer

### Reference Informations:

- \*Material:Pin:Brass/Tin over Nickel  
Insulator:Nylon 66 ,UL94V-0
- \*Mates with CJT [A2508H,A2508HA] series Housing
- \*Color:Ivory

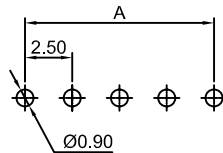
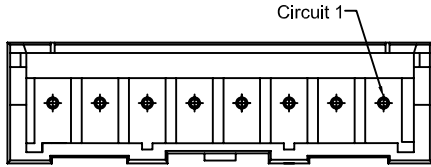
### Ordering Information:

A2508WV-XP - \*\*  
1 2

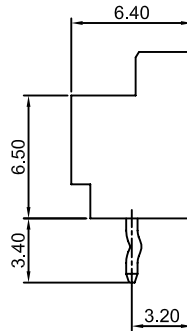
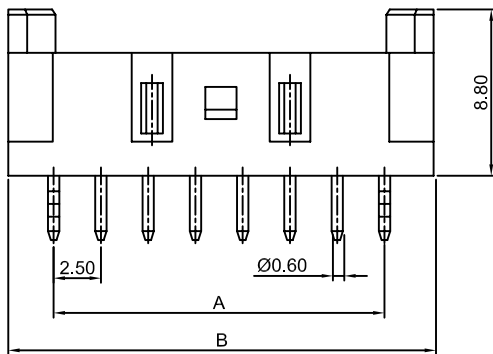
1.Part No.

2.Color:

(blank) - Ivory	BR - Brown
BK - Black	GY - Gray
RD - Red	PK - Pink
BL - Blue	LY - Lemon yellow
YL - Yellow	P - Purple
GN - Green	LE - Light blue
OR - Orange	FY - Vivid yellow
WH - White	



P.B.C LAYOUT



### Ordering Information & Dimensions:

PART NO.	Dimensions	
	A	B
2P	2.50	7.50
3P	5.00	10.00
4P	7.50	12.50
5P	10.00	15.00
6P	12.50	17.50
7P	15.00	20.00
8P	17.50	22.50
9P	20.00	25.00
10P	22.50	27.50
11P	25.00	30.00
12P	27.50	32.50
13P	30.00	35.00
14P	32.50	37.50
15P	35.00	40.00

Unit: mm

## A2508WR-XP

2.50mm Pitch 90° Wafer

### Reference Informations:

- \*Material:Pin:Brass/Tin over Nickel  
Insulator:Nylon 66 ,UL94V-0
- \*Mates with CJT [A2508H,A2508HA] series Housing
- \*Color:Ivory

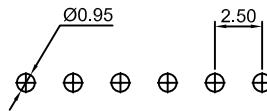
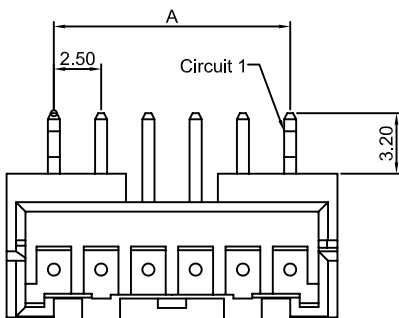
### Ordering Information:

A2508WR-XP - \*\*  
1 2

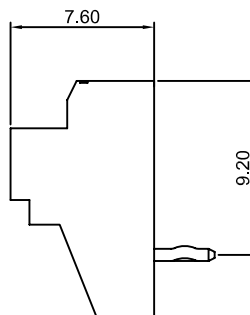
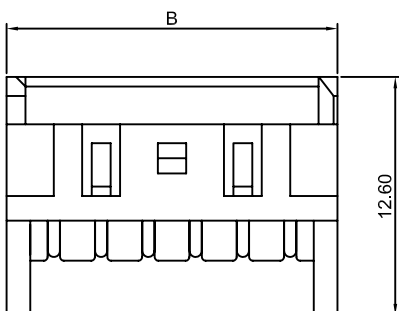
1.Part No.

2.Color:

(blank) - Ivory	BR - Brown
BK - Black	GY - Gray
RD - Red	PK - Pink
BL - Blue	LY - Lemon yellow
YL - Yellow	P - Purple
GN - Green	LE - Light blue
OR - Orange	FY - Vivid yellow
WH - White	



P.C.B LAYOUT



### Ordering Information & Dimensions:

PART NO.	Dimensions	
	A	B
2P	2.50	7.50
3P	5.00	10.00
4P	7.50	12.50
5P	10.00	15.00
6P	12.50	17.50
7P	15.00	20.00
8P	17.50	22.50
9P	20.00	25.00
10P	22.50	27.50
11P	25.00	30.00
12P	27.50	32.50
13P	30.00	35.00
14P	32.50	37.50
15P	35.00	40.00

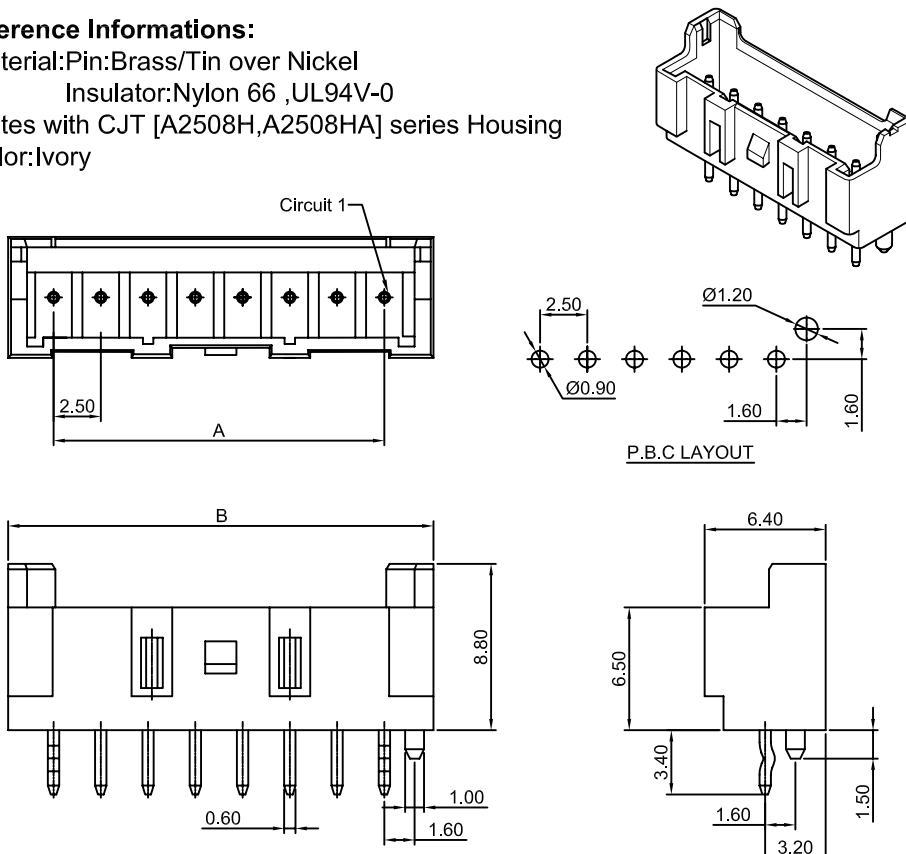
Unit: mm

## A2508WV-F-XP

2.50mm Pitch 180° Wafer

### Reference Informations:

- \*Material:Pin:Brass/Tin over Nickel  
Insulator:Nylon 66 ,UL94V-0
- \*Mates with CJT [A2508H,A2508HA] series Housing
- \*Color:Ivory



Ordering Information:  
A2508WV-F-XP - \*\*  
1 2

- 1.Part No.  
2.Color:
- |                 |                   |
|-----------------|-------------------|
| (blank) - Ivory | BR - Brown        |
| BK - Black      | GY - Gray         |
| RD - Red        | PK - Pink         |
| BL - Blue       | LY - Lemon yellow |
| YL - Yellow     | P - Purple        |
| GN - Green      | LE - Light blue   |
| OR - Orange     | FY - Vivid yellow |
| WH - White      |                   |

### Ordering Information & Dimensions:

PART NO.	Dimensions	
	A	B
2P	2.50	7.50
3P	5.00	10.00
4P	7.50	12.50
5P	10.00	15.00
6P	12.50	17.50
7P	15.00	20.00
8P	17.50	22.50
9P	20.00	25.00
10P	22.50	27.50
11P	25.00	30.00
12P	27.50	32.50
13P	30.00	35.00
14P	32.50	37.50
15P	35.00	40.00

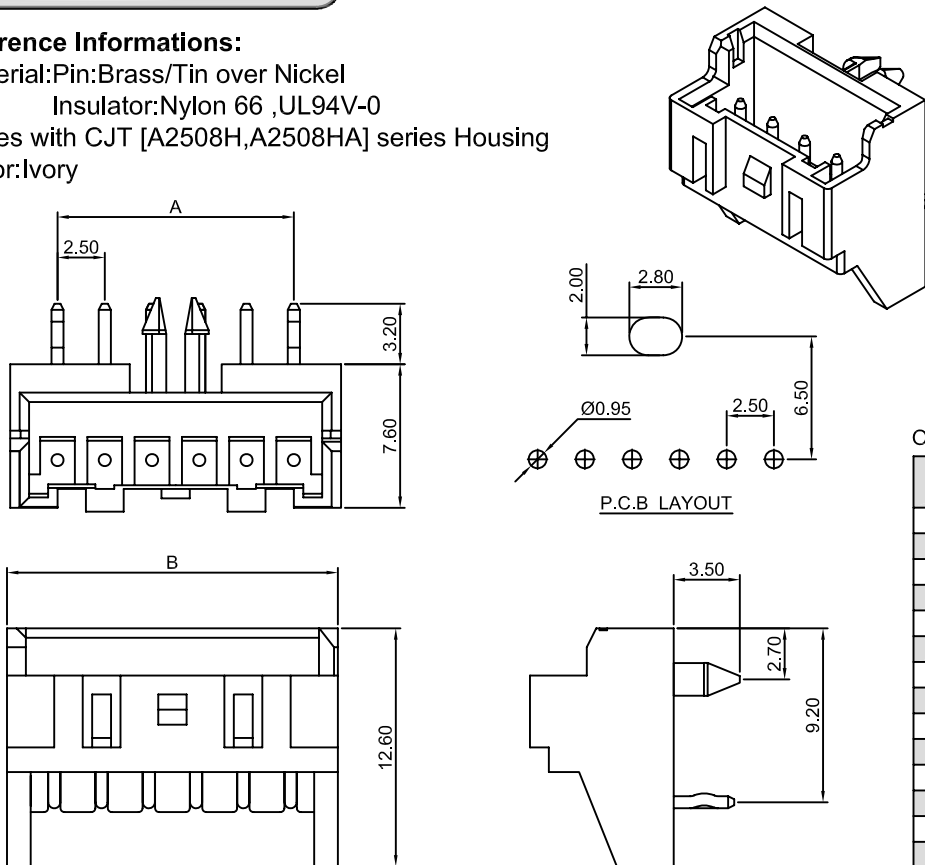
Unit: mm

## A2508WR-F-XP

2.50mm Pitch 90° Wafer

### Reference Informations:

- \*Material:Pin:Brass/Tin over Nickel  
Insulator:Nylon 66 ,UL94V-0
- \*Mates with CJT [A2508H,A2508HA] series Housing
- \*Color:Ivory



Ordering Information:  
A2508WR-F-XP - \*\*  
1 2

- 1.Part No.  
2.Color:
- |                 |                   |
|-----------------|-------------------|
| (blank) - Ivory | BR - Brown        |
| BK - Black      | GY - Gray         |
| RD - Red        | PK - Pink         |
| BL - Blue       | LY - Lemon yellow |
| YL - Yellow     | P - Purple        |
| GN - Green      | LE - Light blue   |
| OR - Orange     | FY - Vivid yellow |
| WH - White      |                   |

### Ordering Information & Dimensions:

PART NO.	Dimensions	
	A	B
2P	2.50	7.50
3P	5.00	10.00
4P	7.50	12.50
5P	10.00	15.00
6P	12.50	17.50
7P	15.00	20.00
8P	17.50	22.50
9P	20.00	25.00
10P	22.50	27.50
11P	25.00	30.00
12P	27.50	32.50
13P	30.00	35.00
14P	32.50	37.50
15P	35.00	40.00

Unit: mm

## A2508WV-XP-H — 2.50mm Pitch 180° Wafer-High box type

### Reference Informations:

- \*Material:Pin:Brass/Tin over Nickel  
Insulator:Nylon 66 ,UL94V-0
- \*Mates with CJT [A2508H,A2508HA] series Housing
- \*Color:Ivory

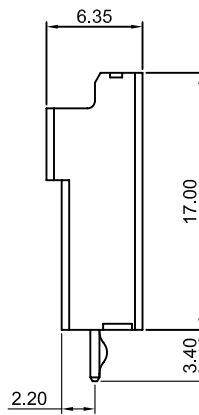
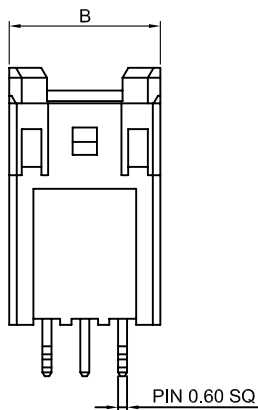
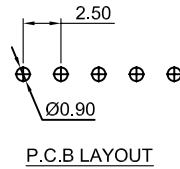
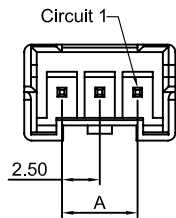
### Ordering Information:

A2508WV-XP-H - \*\*  
1 2

1.Part No.

2.Color:

(blank) - Ivory	BR - Brown
BK - Black	GY - Gray
RD - Red	PK - Pink
BL - Blue	LY - Lemon yellow
YL - Yellow	P - Purple
GN - Green	LE - Light blue
OR - Orange	FY - Vivid yellow
WH - White	



### Ordering Information & Dimensions:

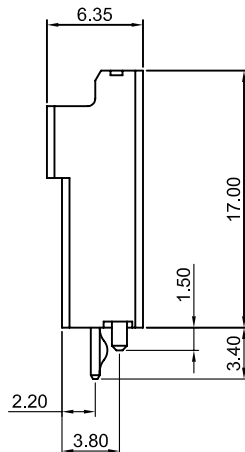
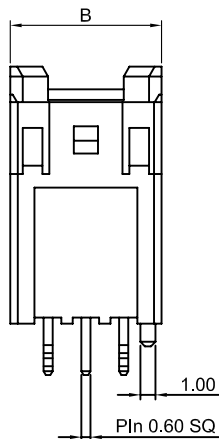
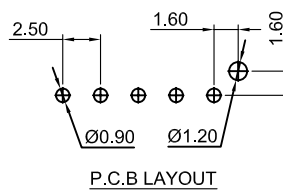
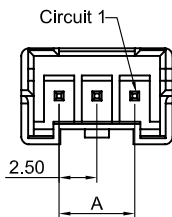
PART NO.	Dimensions	
	A	B
2P	2.50	7.50
3P	5.00	10.00
4P	7.50	12.50
5P	10.00	15.00
6P	12.50	17.50
7P	15.00	20.00
8P	17.50	22.50
9P	20.00	25.00
10P	22.50	27.50
11P	25.00	30.00
12P	27.50	32.50
13P	30.00	35.00
14P	32.50	37.50
15P	35.00	40.00

Unit: mm

## A2508WV-F-XP-H — 2.50mm Pitch 180° Wafer-High box type

### Reference Informations:

- \*Material:Pin:Brass/Tin over Nickel  
Insulator:Nylon 66 ,UL94V-0
- \*Mates with CJT [A2508H,A2508HA] series Housing
- \*Color:Ivory



### Ordering Information & Dimensions:

PART NO.	Dimensions	
	A	B
2P	2.50	7.50
3P	5.00	10.00
4P	7.50	12.50
5P	10.00	15.00
6P	12.50	17.50
7P	15.00	20.00
8P	17.50	22.50
9P	20.00	25.00
10P	22.50	27.50
11P	25.00	30.00
12P	27.50	32.50
13P	30.00	35.00
14P	32.50	37.50
15P	35.00	40.00

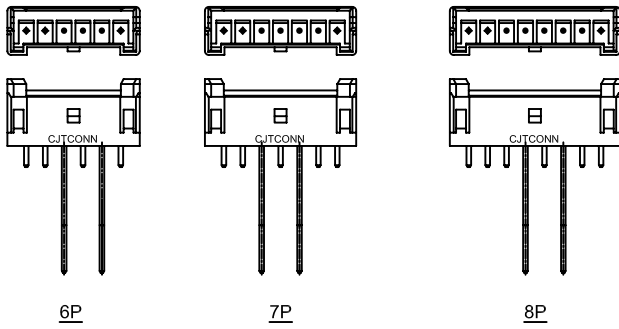
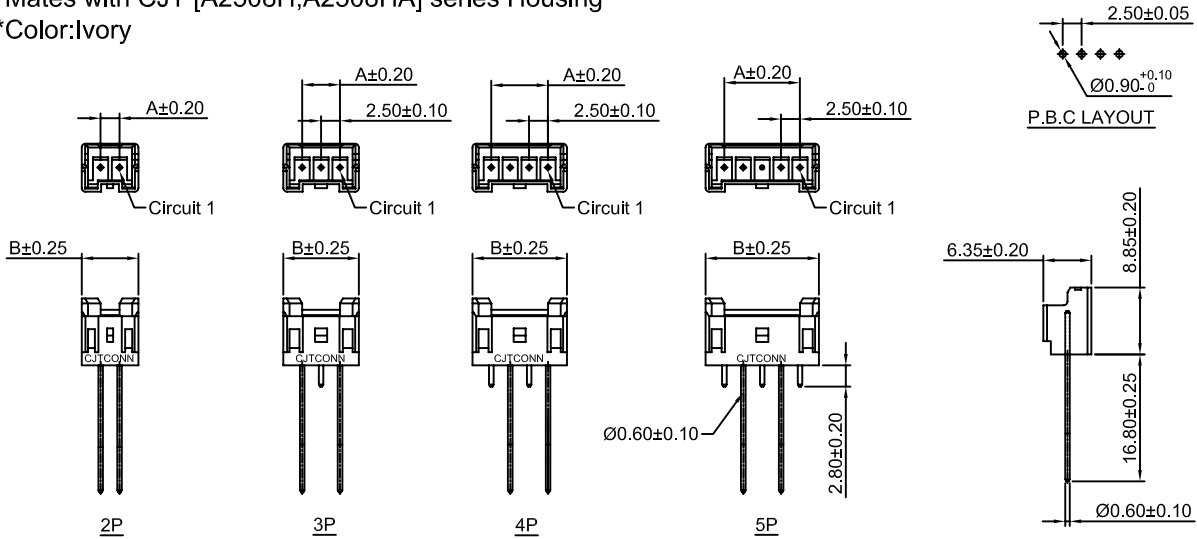
Unit: mm

## A2508WVT-XP

2.50mm pitch 180° Wafer ON RADIAL-TAPE

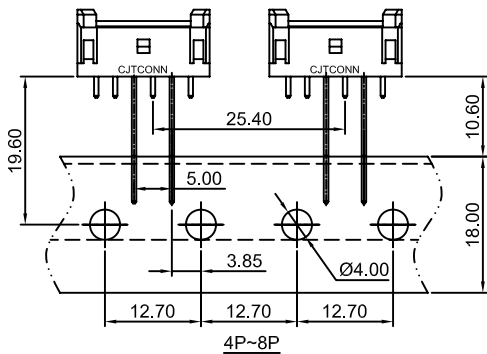
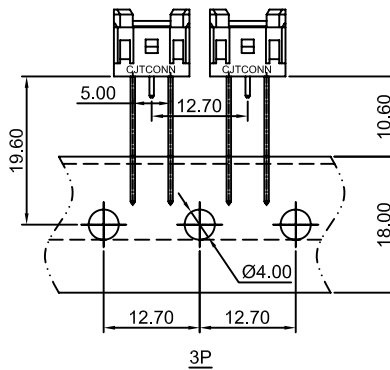
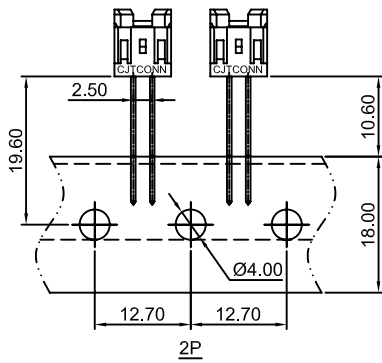
### Reference Informations:

- \*Material: Pin: Brass/Tin over Nickel  
Insulator: Nylon 66, UL94V-0
- \*Mates with CJT [A2508H, A2508HA] series Housing
- \*Color: Ivory



Ordering Information:  
A2508WVT-XP - \*\*  
1 / 2

- Part No.
- Color:  
(blank) - Ivory  
BK - Black  
RD - Red  
BL - Blue  
YL - Yellow  
GN - Green



### Ordering Information & Dimensions:

PART NO.	Dimensions	
	A	B
2P	2.50	7.50
3P	5.00	10.00
4P	7.50	12.50
5P	10.00	15.00
6P	12.50	17.50
7P	15.00	20.00
8P	17.50	22.50

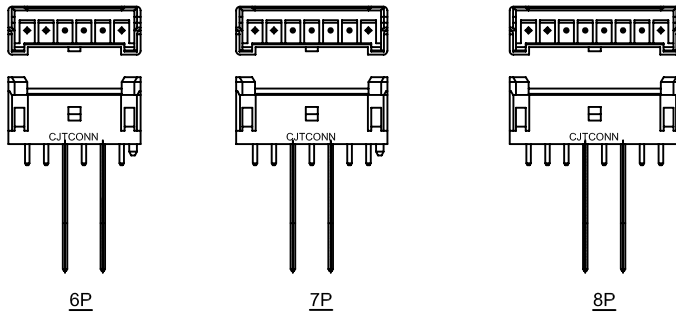
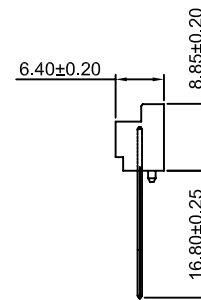
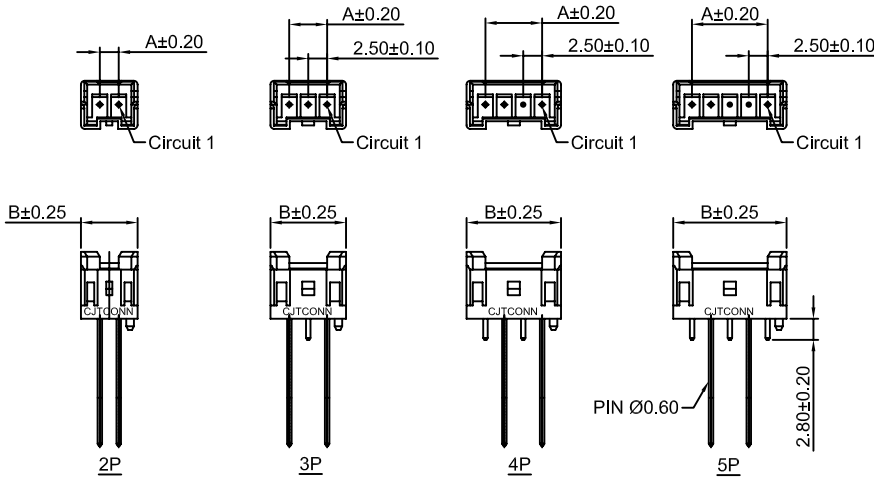
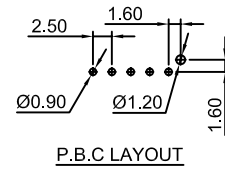
Unit: mm

## A2508WVT-F-XP

2.50mm pitch 180° Wafer ON RADIAL-TAPE

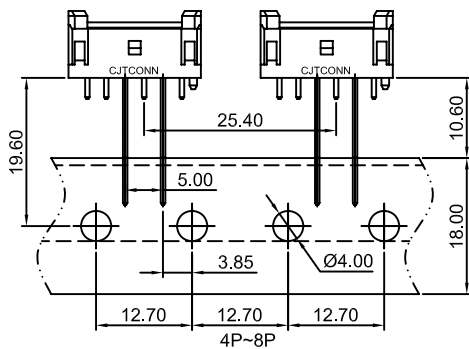
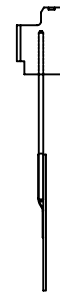
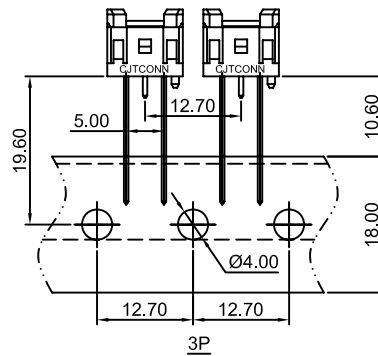
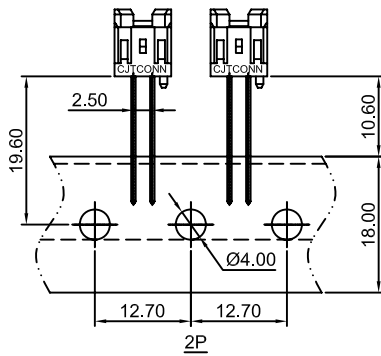
### Reference Informations:

- \*Material: Pin: Brass/Tin over Nickel  
Insulator: Nylon 66, UL94V-0
- \*Mates with CJT [A2508H, A2508HA] series Housing
- \*Color: Ivory



Ordering Information:  
A2508WVT-F-XP - \*\*  
1 2

1. Part No.  
2. Color:  
(blank) - Ivory  
BK - Black  
RD - Red  
BL - Blue  
YL - Yellow  
GN - Green



### Ordering Information & Dimensions:

PART NO.	Dimensions	
	A	B
2P	2.50	7.50
3P	5.00	10.00
4P	7.50	12.50
5P	10.00	15.00
6P	12.50	17.50
7P	15.00	20.00
8P	17.50	22.50

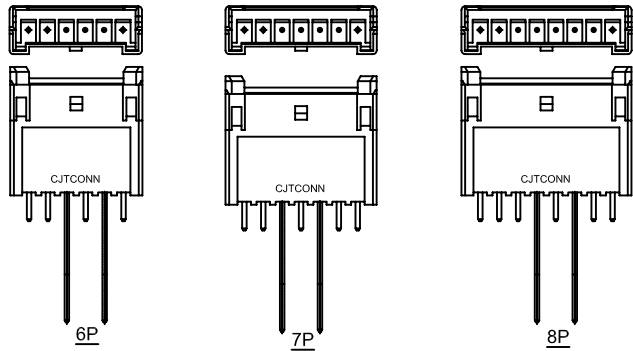
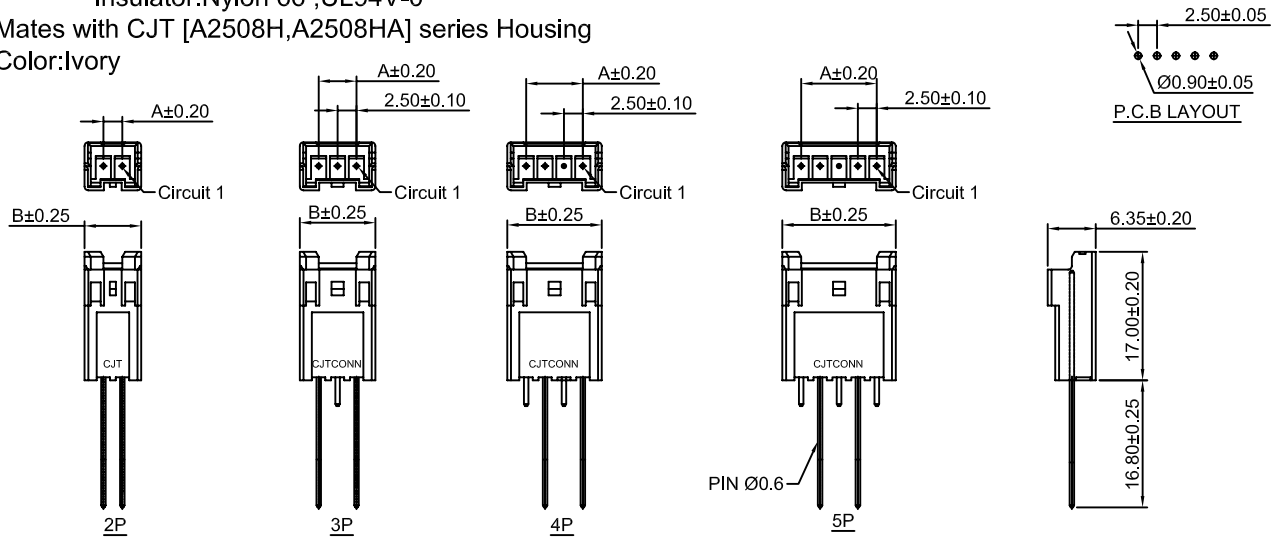
Unit: mm



## A2508WVT-XP-H — 2.50mm pitch 180° Wafer ON RADIAL-TAPE

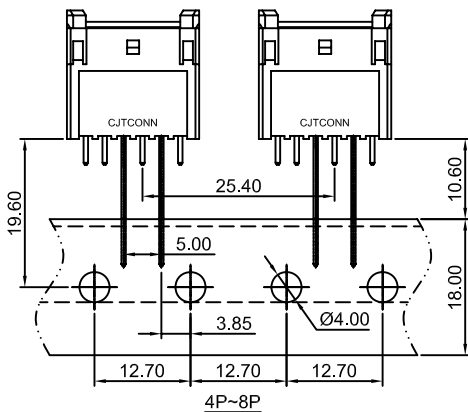
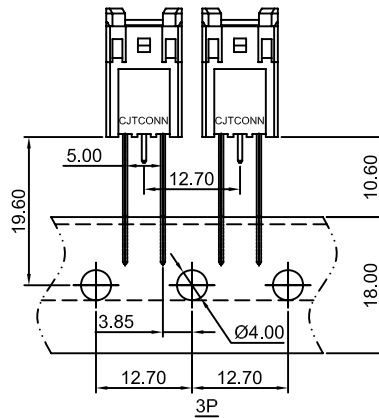
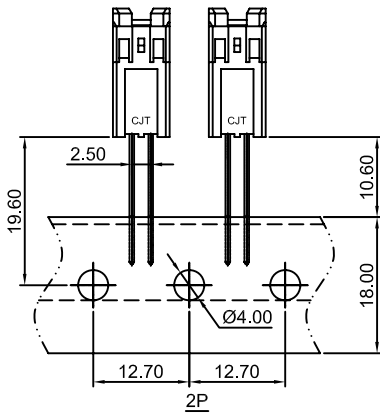
### Reference Informations:

- \*Material: Pin: Brass/Tin over Nickel  
Insulator: Nylon 66 , UL94V-0
- \*Mates with CJT [A2508H, A2508HA] series Housing
- \*Color: Ivory



Ordering Information:  
A2508WVT-XP-H - \*\*  
1 2

1. Part No.
2. Color:  
(blank) - Ivory  
BK - Black  
RD - Red  
BL - Blue  
YL - Yellow  
GN - Green



### Ordering Information & Dimensions:

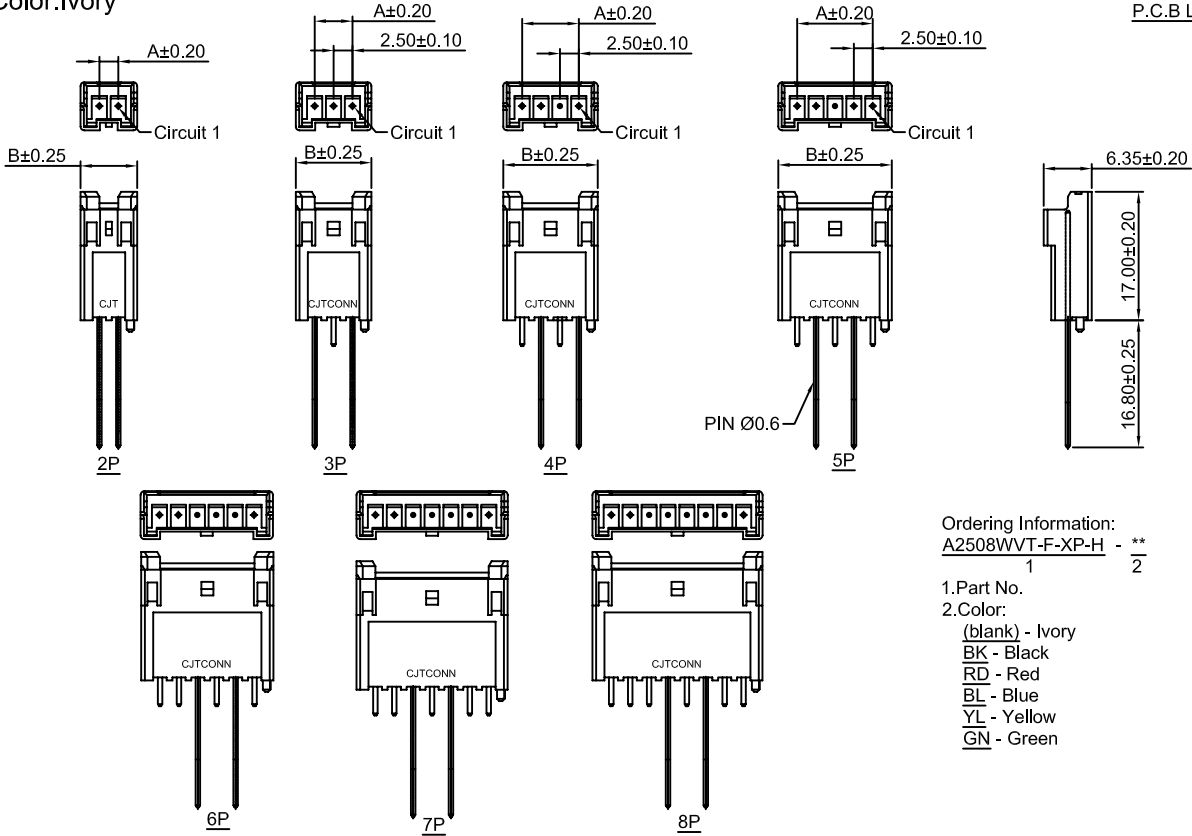
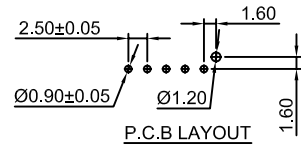
PART NO.	Dimensions	
	A	B
2P	2.50	7.50
3P	5.00	10.00
4P	7.50	12.50
5P	10.00	15.00
6P	12.50	17.50
7P	15.00	20.00
8P	17.50	22.50

Unit: mm

## A2508WVT-F-XP-H — 2.50mm pitch 180° Wafer ON RADIAL-TAPE

### Reference Informations:

- \*Material: Pin: Brass/Tin over Nickel  
Insulator: Nylon 66 ,UL94V-0
- \*Mates with CJT [A2508H,A2508HA] series Housing
- \*Color: Ivory



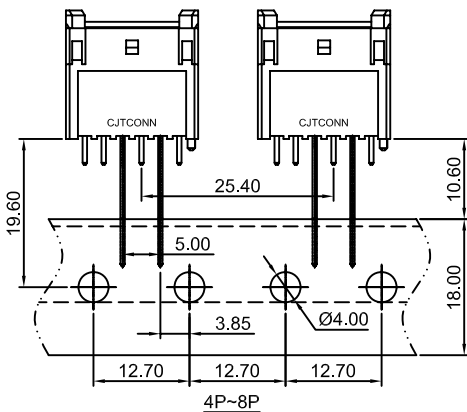
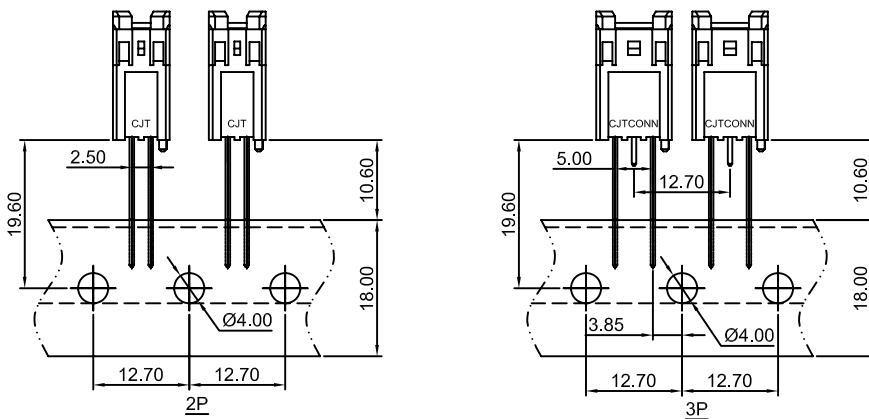
### Ordering Information:

A2508WVT-F-XP-H - \*\*  
1 2

1. Part No.

2. Color:

- (blank) - Ivory
- BK - Black
- RD - Red
- BL - Blue
- YL - Yellow
- GN - Green



### Ordering Information & Dimensions:

PART NO.	Dimensions	
	A	B
2P	2.50	7.50
3P	5.00	10.00
4P	7.50	12.50
5P	10.00	15.00
6P	12.50	17.50
7P	15.00	20.00
8P	17.50	22.50

Unit: mm

## X-ON Electronics

Largest Supplier of Electrical and Electronic Components

*Click to view similar products for [Headers & Wire Housings](#) category:*

*Click to view products by [Changjiang](#) manufacturer:*

Other Similar products are found below :

[57102-F02-18ULF](#) [58102-G61-06LF](#) [0009485154](#) [009176003701906](#) [0050291907](#) [00-9021-0611-00-339](#) [02.125.8002.8](#) [609-3404](#) [61062-3](#)  
[622-0430](#) [622-3653LF](#) [63453-116](#) [636-1030](#) [636-1427](#) [636-3427](#) [636-4007](#) [641938-9](#) [644827-2](#) [65495-038](#) [65692-001LF](#) [65781-018](#)  
[65781-047](#) [65817-010LF](#) [65817-015LF](#) [66207-023LF](#) [67016-026LF](#) [67095-007LF](#) [68631-112](#) [68645-018](#) [68648-049](#) [699319-000](#)  
[70.362.1628.0](#) [70-4210](#) [70-4226B](#) [70-4853B](#) [707-5020](#) [707-5028](#) [71.350.2428.0](#) [71961-016LF](#) [733-134](#) [754199-000](#) [760-3052](#) [787-8014-00](#)  
[FCN-367T-T012/H](#) [80.063.4001.1](#) [800-90-001-10-001000](#) [800-90-010-10-002000](#) [801-43-002-10-013000](#) [801-43-006-10-002000](#)  
[803-41-018-10-001000](#)