

Specifications

Current rating:3A AC,DC
Voltage rating:250V AC,DC
Temperature range:-40°C~+105°C
Contact resistance:10mΩMax.
Insulation resistance:1000MΩMin.
Withstanding voltage:1000V AC/minute
Compliant with RoHS and REACH
Meet the HF/Halogen Free,need to customize
Contact CJT for details

Standards



Assembly layout

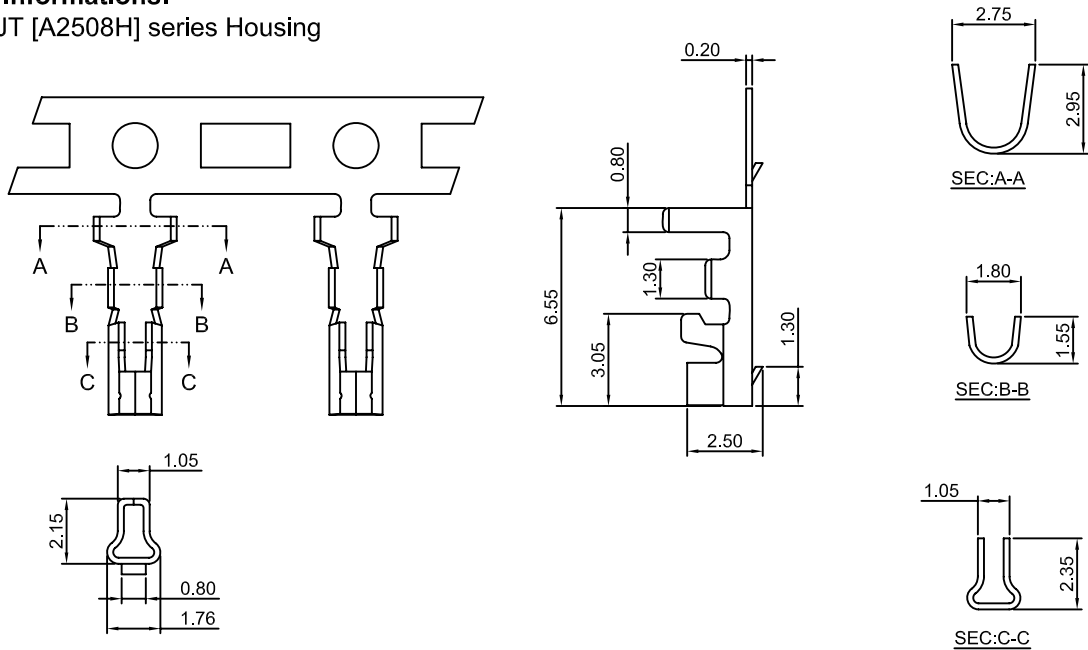


A2508-T

2.50mm Pitch Crimp Terminal

Reference Informations:

*Used in CJT [A2508H] series Housing



Ordering information & Specifications:

Unit:mm

Part NO	Wire Range	Insulation O.D.	Material	Finish	Qty/reel
A2508-TP	AWG#22-#28	1.90mm(max)	Phosphor Bronze	Tin over Nickel	10,000 PCS
A2508-GP	AWG#22-#28	1.90mm(max)	Phosphor Bronze	Gold over Nickel	10,000 PCS

Optional Gold plating available but MOQ requested

A2508H-XP

2.50mm Pitch Housing

Reference Informations:

*Material:Nylon 66 ,UL94V-0

*Suitable CJT [A2508-T] series Terminal

*Mates with CJT [A2508WV,A2508WR,A2508WV-F,A2508WR-F, A2508WV-H,A2508WV-F-H,A2508WVT,A2508WVT-F, A2508WVT-H, A2508WVT-F-H] series Wafer

*Color:White

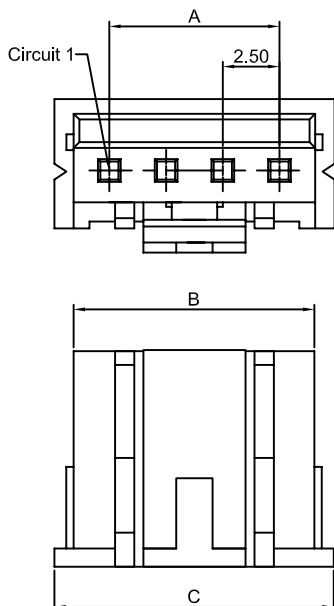
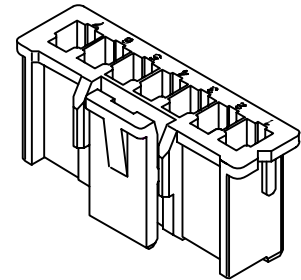
Ordering Information:

A2508H-XP - **
1 2

1.Part No.

2.Color:

(blank) - White	BR - Brown
BK - Black	GY - Gray
RD - Red	PK - Pink
BL - Blue	LY - Lemon yellow
YL - Yellow	P - Purple
GN - Green	LE - Light blue
OR - Orange	FY - Vivid yellow



Ordering Information & Dimensions:

PART NO.	Dimensions		
	A	B	C
2P	2.50	5.64	7.30
3P	5.00	8.14	9.80
4P	7.50	10.64	12.30
5P	10.00	13.14	14.80
6P	12.50	15.64	17.30
7P	15.00	18.14	19.80
8P	17.50	20.64	22.30
9P	20.00	23.14	24.80
10P	22.50	25.64	27.30
11P	25.00	28.14	29.80
12P	27.50	30.64	32.30
13P	30.00	33.14	34.80
14P	32.50	35.64	37.30
15P	35.00	38.14	39.80

Unit: mm

A2508HA-XP

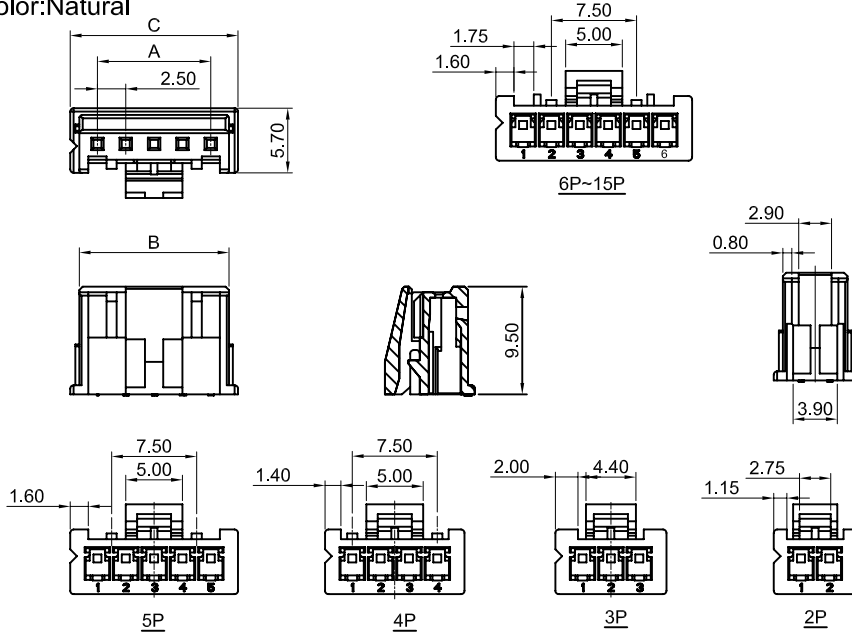
2.50mm Pitch Housing

Reference Informations:

- *Material:Nylon 66 ,UL94V-0
- *Suitable CJT [A2508-T] series Terminal
- *Mates with CJT [A2508WV,A2508WR,A2508WV-F,A2508WR-F, A2508WV-H,A2508WV-F-H,A2508WVT,A2508WVT-F, A2508WVT-H, A2508WVT-F-H] series Wafer
- *Color:Natural

Ordering Information:
A2508HA-XP - ** - **
1 2 3

- Part No.
- Material:
(blank):Nylon 66,UL94V-0
GWT:Nylon 66,UL94V-0 ,GWT 750 °C
- Color:
(blank) - Natural
BK - Black
RD - Red
BL - Blue
YL - Yellow
GN - Green



Ordering Information & Dimensions:

PART NO.	Dimensions		
	A	B	C
2P	2.50	5.70	7.30
3P	5.00	8.20	9.80
4P	7.50	10.70	12.30
5P	10.00	13.20	14.80
6P	12.50	15.70	17.30
7P	15.00	18.20	19.80
8P	17.50	20.70	22.30
9P	20.00	23.20	24.80
10P	22.50	25.70	27.30
11P	25.00	28.20	29.80
12P	27.50	30.70	32.30
13P	30.00	33.20	34.80
14P	32.50	35.70	37.30
15P	35.00	38.20	39.80

Unit: mm

A2508SA-XP

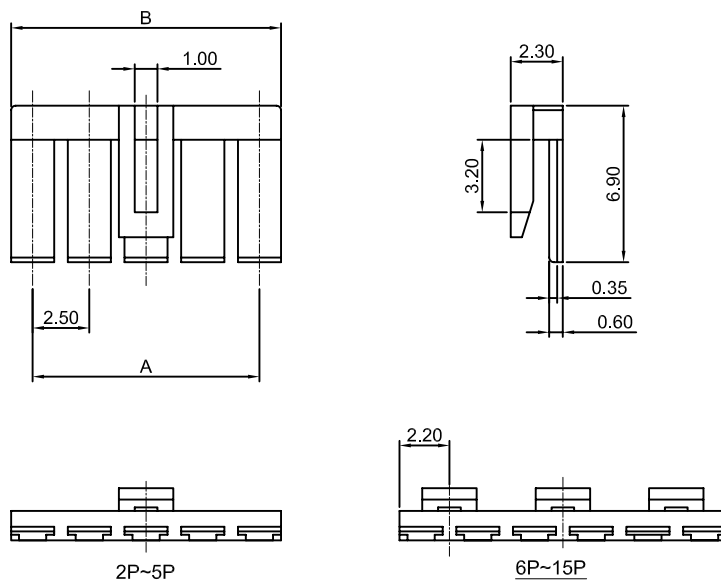
2.50mm Pitch Seal

Reference Informations:

- *Material:Nylon 66 ,UL94V-0
- *Mates with CJT [A2508HA] series Housing
- *Color:Natural

Ordering Information:
A2508SA-XP - **
1 2

- Part No.
- Material:
(blank):Nylon 66,UL94V-0
GWT:Nylon 66,UL94V-0 ,GWT 750 °C



Ordering Information & Dimensions:

PART NO.	Dimensions	
	A	B
2P	2.50	4.40
3P	5.00	6.90
4P	7.50	9.40
5P	10.00	11.90
6P	12.50	14.40
7P	15.00	16.90
8P	17.50	19.40
9P	20.00	21.90
10P	22.50	24.40
11P	25.00	26.90
12P	27.50	29.40
13P	30.00	31.90
14P	32.50	34.40
15P	35.00	36.90

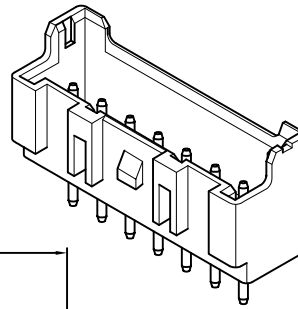
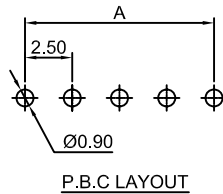
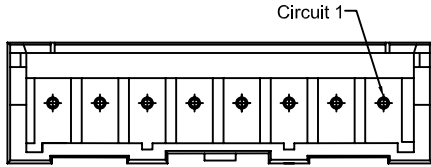
Unit: mm

A2508WV-XP

2.50mm Pitch 180° Wafer

Reference Informations:

- *Material:Pin:Brass/Tin over Nickel
Insulator:Nylon 66 ,UL94V-0
- *Mates with CJT [A2508H,A2508HA] series Housing
- *Color:Ivory



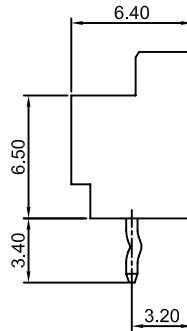
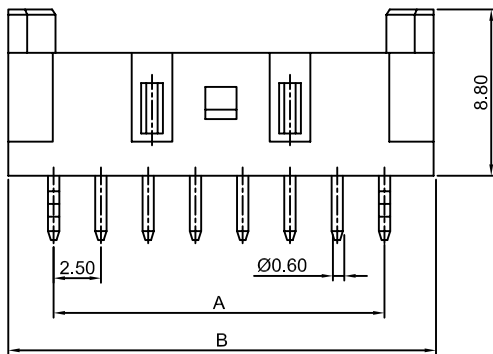
Ordering Information:

A2508WV-XP - **
1 2

1.Part No.

2.Color:

- (blank) - Ivory
- BK - Black
- RD - Red
- BL - Blue
- YL - Yellow
- GN - Green
- OR - Orange
- WH - White
- BR - Brown
- GY - Gray
- PK - Pink
- LY - Lemon yellow
- P - Purple
- LE - Light blue
- FY - Vivid yellow



Ordering Information & Dimensions:

PART NO.	Dimensions	
	A	B
2P	2.50	7.50
3P	5.00	10.00
4P	7.50	12.50
5P	10.00	15.00
6P	12.50	17.50
7P	15.00	20.00
8P	17.50	22.50
9P	20.00	25.00
10P	22.50	27.50
11P	25.00	30.00
12P	27.50	32.50
13P	30.00	35.00
14P	32.50	37.50
15P	35.00	40.00

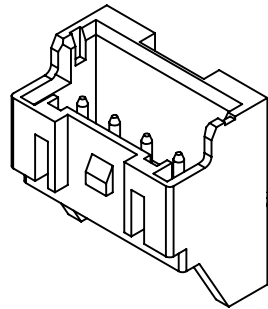
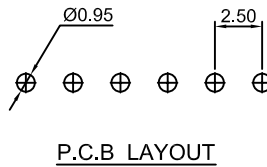
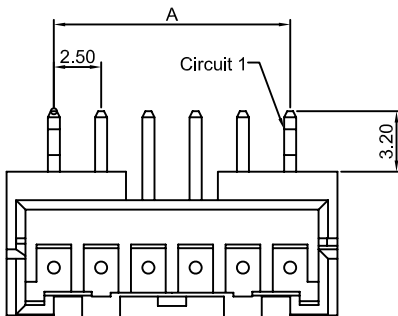
Unit: mm

A2508WR-XP

2.50mm Pitch 90° Wafer

Reference Informations:

- *Material:Pin:Brass/Tin over Nickel
Insulator:Nylon 66 ,UL94V-0
- *Mates with CJT [A2508H,A2508HA] series Housing
- *Color:Ivory



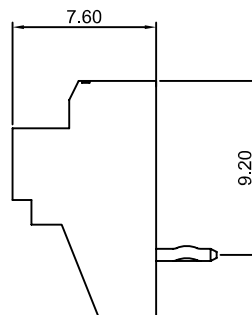
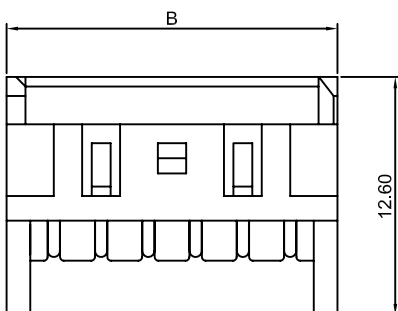
Ordering Information:

A2508WR-XP - **
1 2

1.Part No.

2.Color:

- (blank) - Ivory
- BK - Black
- RD - Red
- BL - Blue
- YL - Yellow
- GN - Green
- OR - Orange
- WH - White
- BR - Brown
- GY - Gray
- PK - Pink
- LY - Lemon yellow
- P - Purple
- LE - Light blue
- FY - Vivid yellow



Ordering Information & Dimensions:

PART NO.	Dimensions	
	A	B
2P	2.50	7.50
3P	5.00	10.00
4P	7.50	12.50
5P	10.00	15.00
6P	12.50	17.50
7P	15.00	20.00
8P	17.50	22.50
9P	20.00	25.00
10P	22.50	27.50
11P	25.00	30.00
12P	27.50	32.50
13P	30.00	35.00
14P	32.50	37.50
15P	35.00	40.00

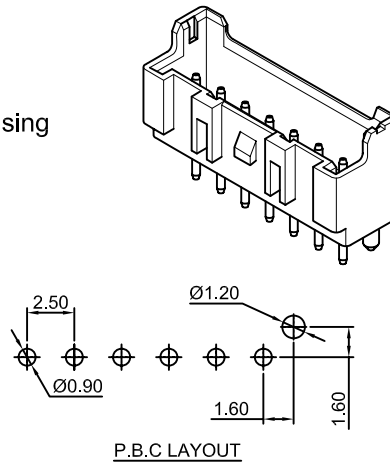
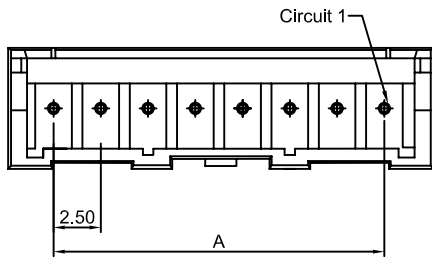
Unit: mm

A2508WV-F-XP

2.50mm Pitch 180° Wafer

Reference Informations:

- *Material:Pin:Brass/Tin over Nickel
Insulator:Nylon 66 ,UL94V-0
- *Mates with CJT [A2508H,A2508HA] series Housing
- *Color:Ivory



Ordering Information:
A2508WV-F-XP - **
1 2

- 1.Part No.
2.Color:
- | | |
|-----------------|-------------------|
| (blank) - Ivory | BR - Brown |
| BK - Black | GY - Gray |
| RD - Red | PK - Pink |
| BL - Blue | LY - Lemon yellow |
| YL - Yellow | P - Purple |
| GN - Green | LE - Light blue |
| OR - Orange | FY - Vivid yellow |
| WH - White | |

Ordering Information & Dimensions:

PART NO.	Dimensions	
	A	B
2P	2.50	7.50
3P	5.00	10.00
4P	7.50	12.50
5P	10.00	15.00
6P	12.50	17.50
7P	15.00	20.00
8P	17.50	22.50
9P	20.00	25.00
10P	22.50	27.50
11P	25.00	30.00
12P	27.50	32.50
13P	30.00	35.00
14P	32.50	37.50
15P	35.00	40.00

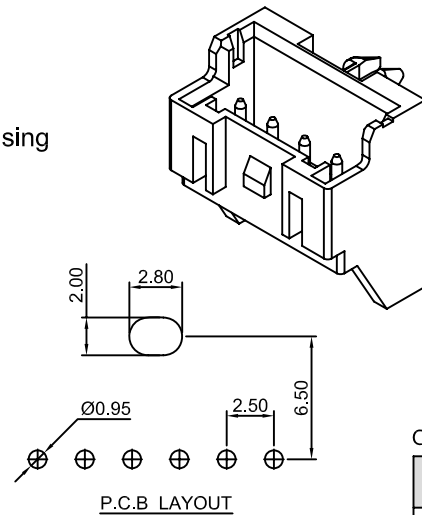
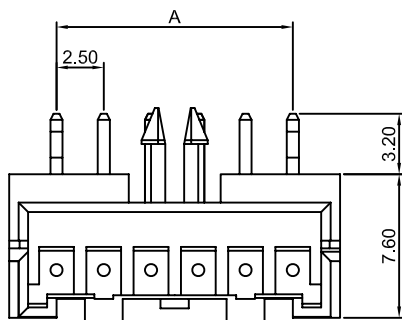
Unit: mm

A2508WR-F-XP

2.50mm Pitch 90° Wafer

Reference Informations:

- *Material:Pin:Brass/Tin over Nickel
Insulator:Nylon 66 ,UL94V-0
- *Mates with CJT [A2508H,A2508HA] series Housing
- *Color:Ivory



Ordering Information:
A2508WR-F-XP - **
1 2

- 1.Part No.
2.Color:
- | | |
|-----------------|-------------------|
| (blank) - Ivory | BR - Brown |
| BK - Black | GY - Gray |
| RD - Red | PK - Pink |
| BL - Blue | LY - Lemon yellow |
| YL - Yellow | P - Purple |
| GN - Green | LE - Light blue |
| OR - Orange | FY - Vivid yellow |
| WH - White | |

Ordering Information & Dimensions:

PART NO.	Dimensions	
	A	B
2P	2.50	7.50
3P	5.00	10.00
4P	7.50	12.50
5P	10.00	15.00
6P	12.50	17.50
7P	15.00	20.00
8P	17.50	22.50
9P	20.00	25.00
10P	22.50	27.50
11P	25.00	30.00
12P	27.50	32.50
13P	30.00	35.00
14P	32.50	37.50
15P	35.00	40.00

Unit: mm

A2508WV-XP-H — 2.50mm Pitch 180° Wafer-High box type

Reference Informations:

- *Material:Pin:Brass/Tin over Nickel
Insulator:Nylon 66 ,UL94V-0
- *Mates with CJT [A2508H,A2508HA] series Housing
- *Color:Ivory

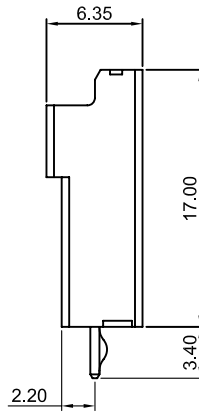
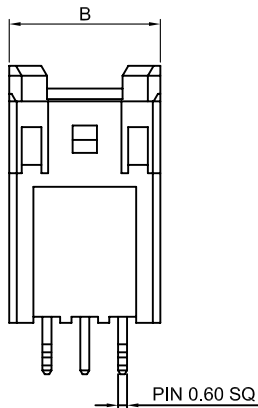
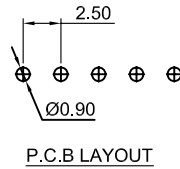
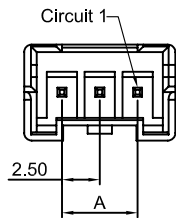
Ordering Information:

A2508WV-XP-H - **
1 2

1.Part No.

2.Color:

(blank) - Ivory	BR - Brown
BK - Black	GY - Gray
RD - Red	PK - Pink
BL - Blue	LY - Lemon yellow
YL - Yellow	P - Purple
GN - Green	LE - Light blue
OR - Orange	FY - Vivid yellow
WH - White	



Ordering Information & Dimensions:

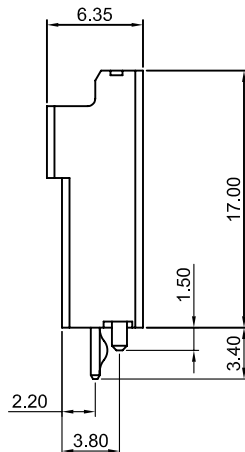
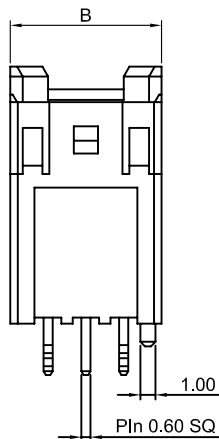
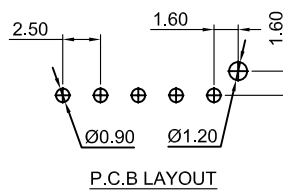
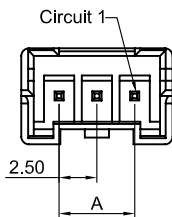
PART NO.	Dimensions	
	A	B
2P	2.50	7.50
3P	5.00	10.00
4P	7.50	12.50
5P	10.00	15.00
6P	12.50	17.50
7P	15.00	20.00
8P	17.50	22.50
9P	20.00	25.00
10P	22.50	27.50
11P	25.00	30.00
12P	27.50	32.50
13P	30.00	35.00
14P	32.50	37.50
15P	35.00	40.00

Unit: mm

A2508WV-F-XP-H — 2.50mm Pitch 180° Wafer-High box type

Reference Informations:

- *Material:Pin:Brass/Tin over Nickel
Insulator:Nylon 66 ,UL94V-0
- *Mates with CJT [A2508H,A2508HA] series Housing
- *Color:Ivory



Ordering Information & Dimensions:

PART NO.	Dimensions	
	A	B
2P	2.50	7.50
3P	5.00	10.00
4P	7.50	12.50
5P	10.00	15.00
6P	12.50	17.50
7P	15.00	20.00
8P	17.50	22.50
9P	20.00	25.00
10P	22.50	27.50
11P	25.00	30.00
12P	27.50	32.50
13P	30.00	35.00
14P	32.50	37.50
15P	35.00	40.00

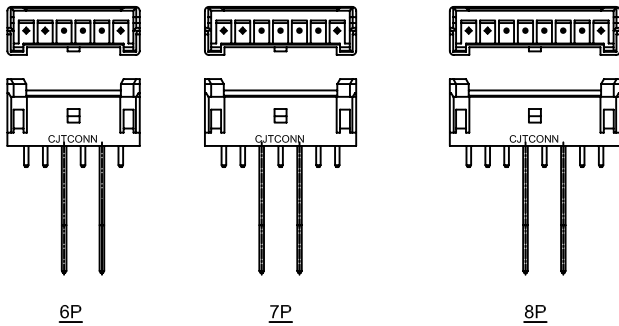
Unit: mm

A2508WVT-XP

2.50mm pitch 180° Wafer ON RADIAL-TAPE

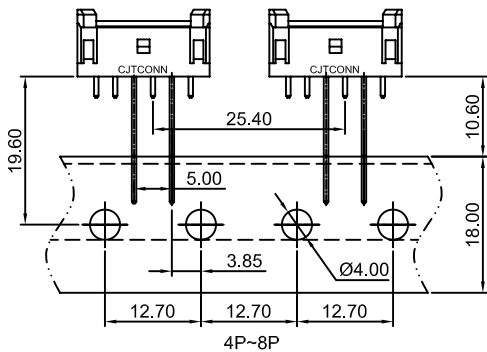
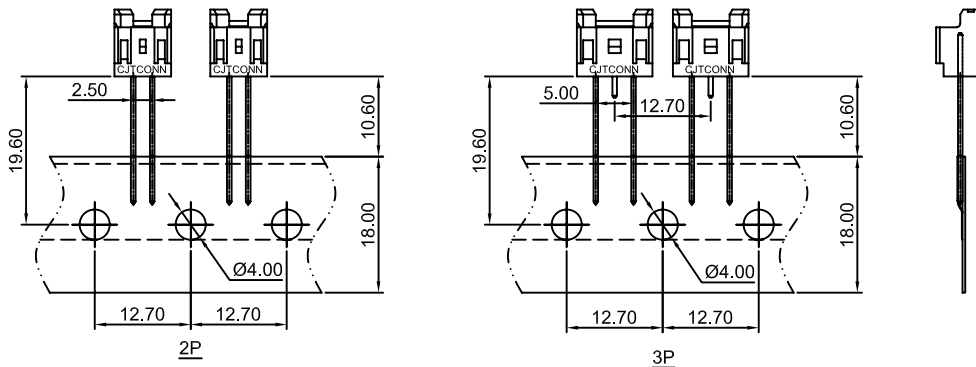
Reference Informations:

- *Material: Pin: Brass/Tin over Nickel
Insulator: Nylon 66 , UL94V-0
- *Mates with CJT [A2508H, A2508HA] series Housing
- *Color: Ivory



Ordering Information:
A2508WVT-XP - **
1 2

- Part No.
- Color:
(blank) - Ivory
BK - Black
RD - Red
BL - Blue
YL - Yellow
GN - Green



Ordering Information & Dimensions:

PART NO.	Dimensions	
	A	B
2P	2.50	7.50
3P	5.00	10.00
4P	7.50	12.50
5P	10.00	15.00
6P	12.50	17.50
7P	15.00	20.00
8P	17.50	22.50

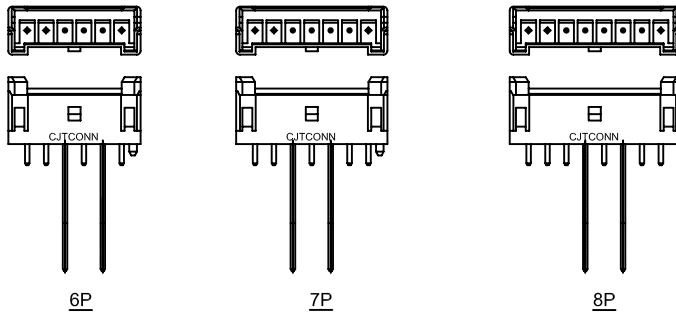
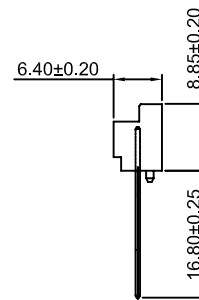
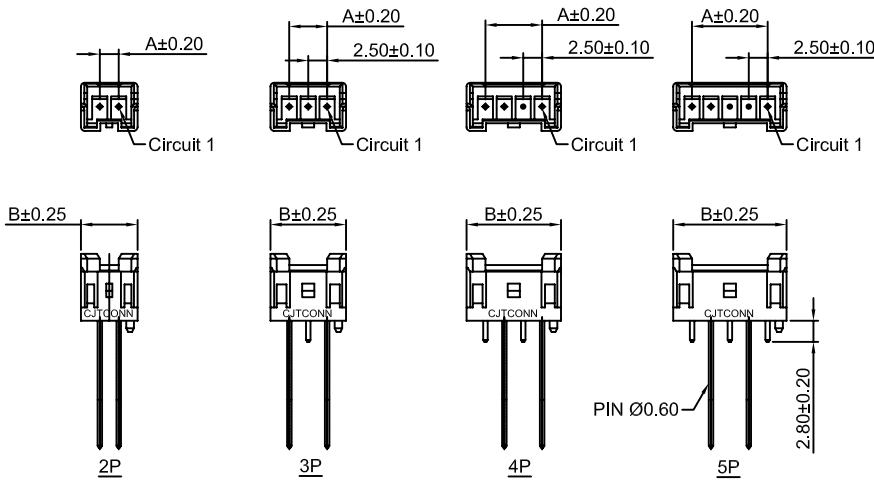
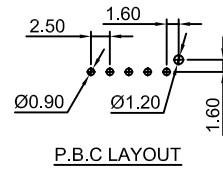
Unit: mm

A2508WVT-F-XP

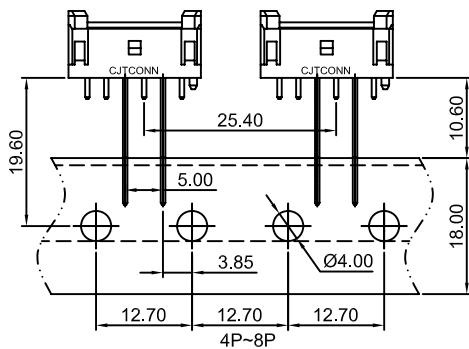
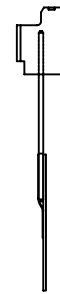
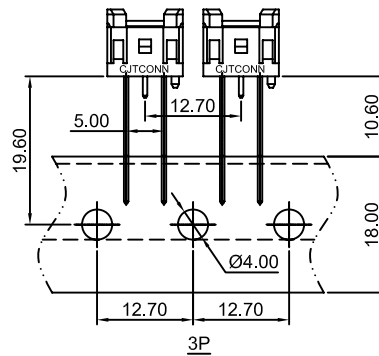
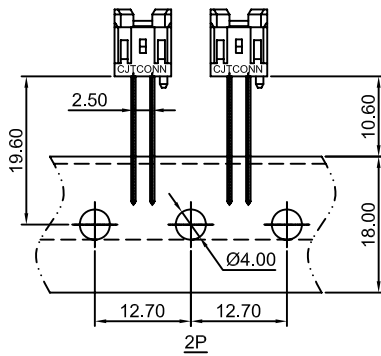
2.50mm pitch 180° Wafer ON RADIAL-TAPE

Reference Informations:

- *Material: Pin: Brass/Tin over Nickel
Insulator: Nylon 66, UL94V-0
- *Mates with CJT [A2508H, A2508HA] series Housing
- *Color: Ivory



Ordering Information:
A2508WVT-F-XP - **
 1 2
 1. Part No.
 2. Color:
 (blank) - Ivory
 BK - Black
 RD - Red
 BL - Blue
 YL - Yellow
 GN - Green



Ordering Information & Dimensions:

PART NO.	Dimensions	
	A	B
2P	2.50	7.50
3P	5.00	10.00
4P	7.50	12.50
5P	10.00	15.00
6P	12.50	17.50
7P	15.00	20.00
8P	17.50	22.50

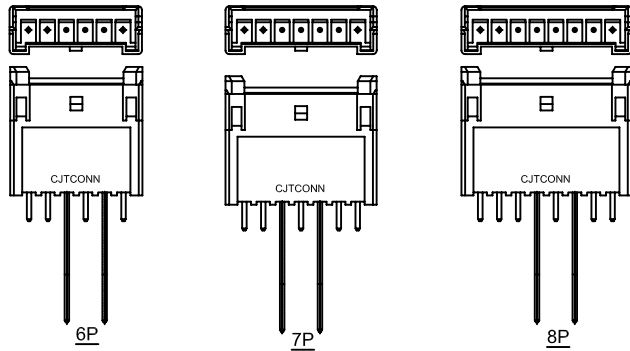
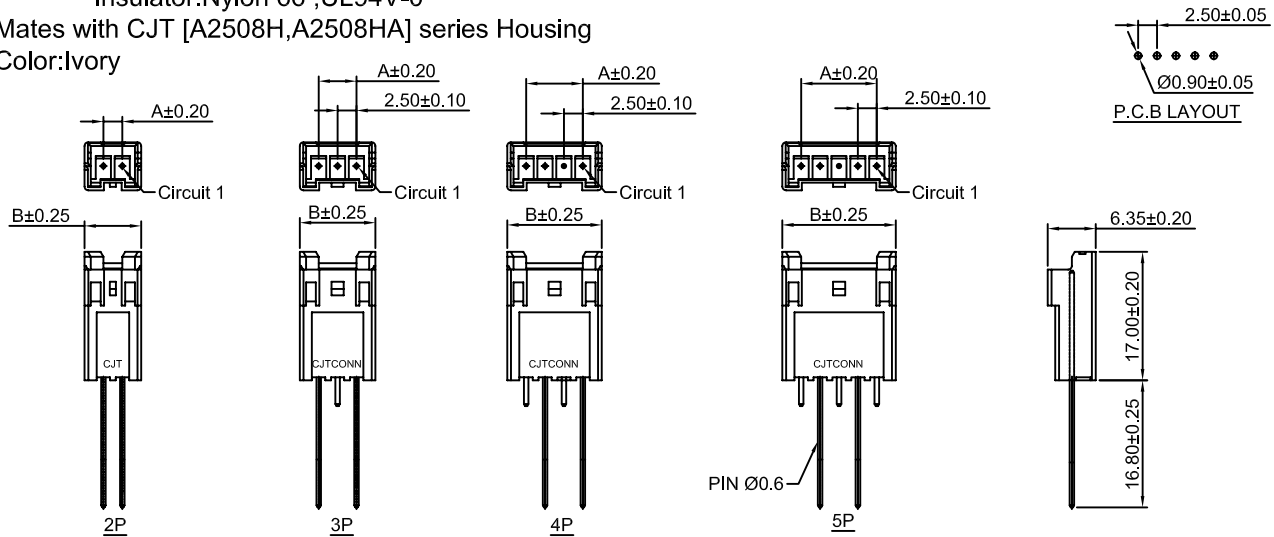
Unit: mm

A2508WVT-XP-H

2.50mm pitch 180° Wafer ON RADIAL-TAPE

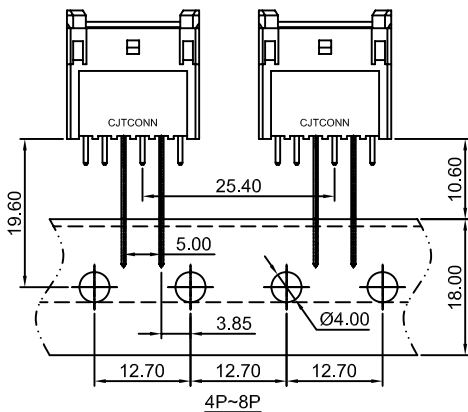
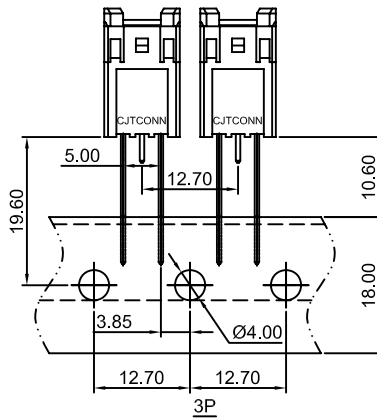
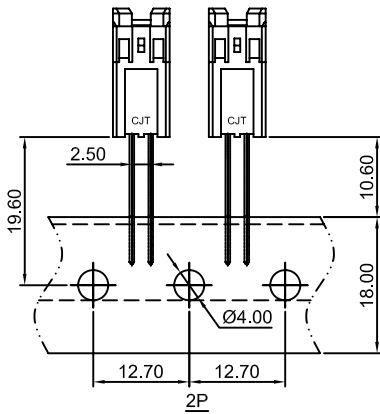
Reference Informations:

- *Material: Pin: Brass/Tin over Nickel
Insulator: Nylon 66 ,UL94V-0
- *Mates with CJT [A2508H,A2508HA] series Housing
- *Color: Ivory



Ordering Information:
A2508WVT-XP-H - **
1 2

1. Part No.
2. Color:
(blank) - Ivory
BK - Black
RD - Red
BL - Blue
YL - Yellow
GN - Green



Ordering Information & Dimensions:

PART NO.	Dimensions	
	A	B
2P	2.50	7.50
3P	5.00	10.00
4P	7.50	12.50
5P	10.00	15.00
6P	12.50	17.50
7P	15.00	20.00
8P	17.50	22.50

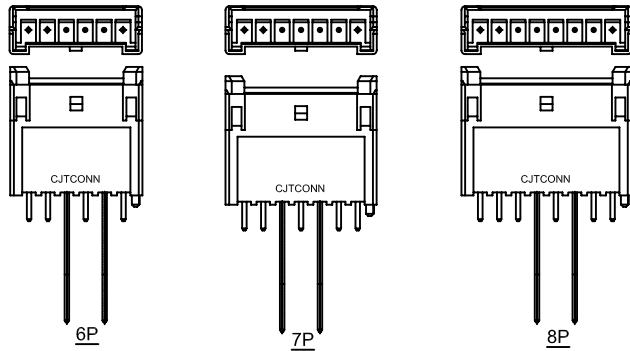
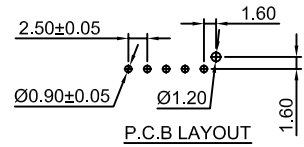
Unit: mm

A2508WVT-F-XP-H

2.50mm pitch 180° Wafer ON RADIAL-TAPE

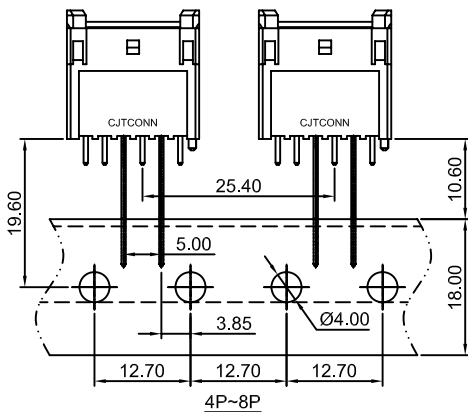
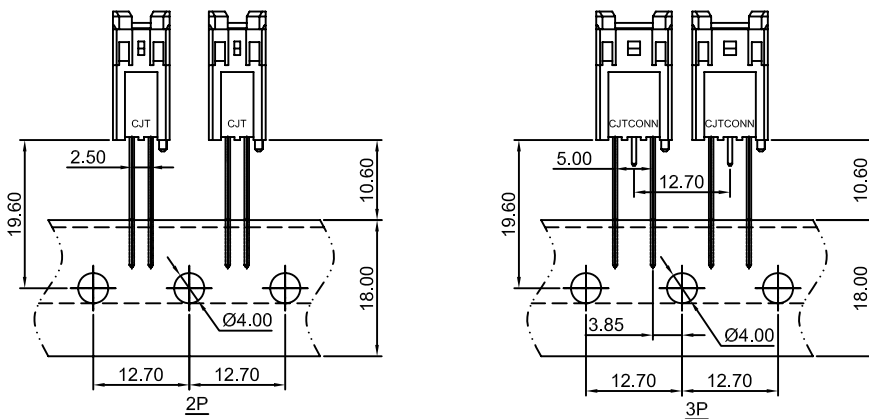
Reference Informations:

- *Material: Pin: Brass/Tin over Nickel
Insulator: Nylon 66 ,UL94V-0
- *Mates with CJT [A2508H,A2508HA] series Housing
- *Color: Ivory



Ordering Information:
A2508WVT-F-XP-H - **
1 2

- Part No.
- Color:
(blank) - Ivory
BK - Black
RD - Red
BL - Blue
YL - Yellow
GN - Green



Ordering Information & Dimensions:

PART NO.	Dimensions	
	A	B
2P	2.50	7.50
3P	5.00	10.00
4P	7.50	12.50
5P	10.00	15.00
6P	12.50	17.50
7P	15.00	20.00
8P	17.50	22.50

Unit: mm

X-ON Electronics

Largest Supplier of Electrical and Electronic Components

Click to view similar products for [Headers & Wire Housings](#) category:

Click to view products by [Changjiang](#) manufacturer:

Other Similar products are found below :

[57102-F02-18ULF](#) [58102-G61-06LF](#) [0009485154](#) [009176003701906](#) [0050291907](#) [02.125.8002.8](#) [609-3404](#) [61062-3](#) [622-0430](#) [622-3653LF](#)
[63453-116](#) [636-1030](#) [636-1427](#) [636-3427](#) [636-4007](#) [641938-9](#) [644827-2](#) [65495-038](#) [65692-001LF](#) [65781-018](#) [65781-047](#) [65817-010LF](#)
[65817-015LF](#) [66207-023LF](#) [67016-026LF](#) [67095-007LF](#) [68631-112](#) [68645-018](#) [68648-049](#) [699319-000](#) [70.362.1628.0](#) [70-4210](#) [70-4226B](#)
[70-4853B](#) [707-5020](#) [707-5028](#) [71.350.2428.0](#) [71961-016LF](#) [733-134](#) [754199-000](#) [760-3052](#) [787-8014-00](#) [FCN-367T-T012/H](#) [80.063.4001.1](#)
[800-90-001-10-001000](#) [800-90-010-10-002000](#) [801-43-002-10-013000](#) [801-43-006-10-002000](#) [803-41-018-10-001000](#) [803-43-014-20-](#)
[001000](#)