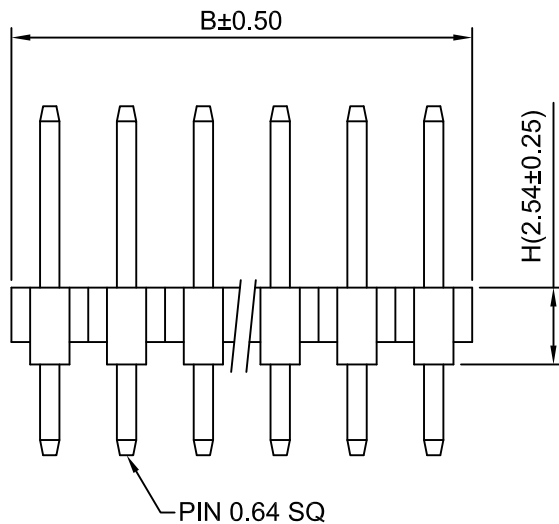
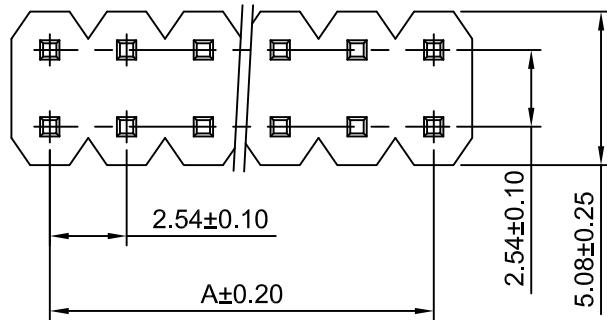


P.C.B LAYOUT



Ordering Information:

A2541WV-2xXP - \*\*\* - \* - \*\*\*  
 1 2 3 4

1.Part NO.

2.Size(H):

(Blank): 2.54mm

H10: 1.00mm

H15: 1.50mm

H17: 1.70mm

H20: 2.00mm

H30: 3.00mm

3.Material:

(Blank): PBT,UL94V-0

6T: Nylon 6T,UL94V-0

9T: Nylon 9T,UL94V-0

GWT: Nylon 6T,UL94V-0,IEC 60335-1,5th Edition Glow Wire Capable.

4.Finish:

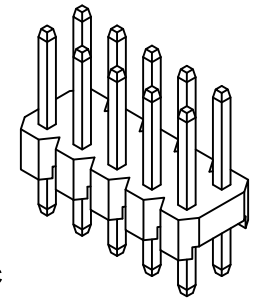
(Blank): Gold over Nickel(Au:1u")

T: Tin over Nickel

G10: Gold over Nickel(Au:10u",Mating Area)

G15: Gold over Nickel(Au:15u",Mating Area)

G30: Gold over Nickel(Au:30u",Mating Area)



SPECIFICATIONS:

Current Rating: 3A AC,DC

Voltage Rating: 250V AC,DC

Temperature Range: -40°C ~ +105°C

Contact Resistance: 20mΩ Max

Insulation Resistance: 1000MΩ Min

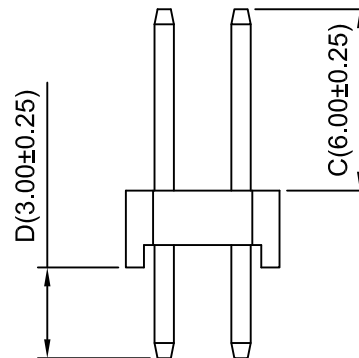
Withstanding Voltage: 1500V AC/minute

Pin Material:Brass/Gold over Nickel

Material:PBT,UL94V-0 (Black)

Ordering Information & Dimensions

Circuits	Dim(mm)		Circuits	Dim(mm)		Circuits	Dim(mm)	
	A	B		A	B		A	B
2x2P	2.54	5.08	2x15P	35.56	38.10	2x28P	68.58	71.12
2x3P	5.08	7.62	2x16P	38.10	40.64	2x29P	71.12	73.66
2x4P	7.62	10.16	2x17P	40.64	43.18	2x30P	73.66	76.20
2x5P	10.16	12.70	2x18P	43.18	45.72	2x31P	76.20	78.74
2x6P	12.70	15.24	2x19P	45.72	48.26	2x32P	78.74	81.28
2x7P	15.24	17.78	2x20P	48.26	50.80	2x33P	81.28	83.82
2x8P	17.78	20.32	2x21P	50.80	53.34	2x34P	83.82	86.36
2x9P	20.32	22.86	2x22P	53.34	55.88	2x35P	86.36	88.90
2x10P	22.86	25.40	2x23P	55.88	58.42	2x36P	88.90	91.44
2x11P	25.40	27.94	2x24P	58.42	60.96	2x37P	91.44	93.98
2x12P	27.94	30.48	2x25P	60.96	63.50	2x38P	93.98	96.52
2x13P	30.48	33.02	2x26P	63.50	66.04	2x39P	96.52	99.06
2x14P	33.02	35.56	2x27P	66.04	68.58	2x40P	99.06	101.60



**CJT**conn

CHANGJIANG CONNECTORS CO.,LTD.

Unit	Scale	Sheet	TITLE
mm	4:1	1 of 1	2.54mm Pitch
DRAWN	CHK'D	APPR	180° Dual Row Pin Header
Haisen Li	Diankui Wan	Jack Yin	
General Tolerances			THIRD ANGLE PROJECTION
x.xx±0.25 x.xxx±0.20 x.xxxx±0.15 ANGLES ±1°			DRAWING NO.
			A2541WV-2xXP
			REV A4

A4	CHANGE THE DRAWING	2021.03.13
A3	CHANGE THE TOLERANCE	2019.11.20
A2	ADD H10 SIZE	2018.11.07
A1	updated version	2018.03.30
REV	DESCRIPTION	DATE

## X-ON Electronics

Largest Supplier of Electrical and Electronic Components

*Click to view similar products for [Headers & Wire Housings](#) category:*

*Click to view products by [Changjiang](#) manufacturer:*

Other Similar products are found below :

[57102-F02-18ULF](#) [58102-G61-06LF](#) [0009485154](#) [009176003701906](#) [0050291907](#) [00-9021-0611-00-339](#) [02.125.8002.8](#) [609-3404](#) [61062-3](#)  
[622-0430](#) [622-3653LF](#) [63453-116](#) [636-1030](#) [636-1427](#) [636-3427](#) [636-4007](#) [641938-9](#) [644827-2](#) [65495-038](#) [65692-001LF](#) [65781-018](#)  
[65781-047](#) [65817-010LF](#) [65817-015LF](#) [66207-023LF](#) [67016-026LF](#) [67095-007LF](#) [68631-112](#) [68645-018](#) [68648-049](#) [699319-000](#)  
[70.362.1628.0](#) [70-4210](#) [70-4226B](#) [70-4853B](#) [707-5020](#) [707-5028](#) [71.350.2428.0](#) [71961-016LF](#) [733-134](#) [754199-000](#) [760-3052](#) [787-8014-00](#)  
[FCN-367T-T012/H](#) [80.063.4001.1](#) [800-90-001-10-001000](#) [800-90-010-10-002000](#) [801-43-002-10-013000](#) [801-43-006-10-002000](#)  
[803-41-018-10-001000](#)