

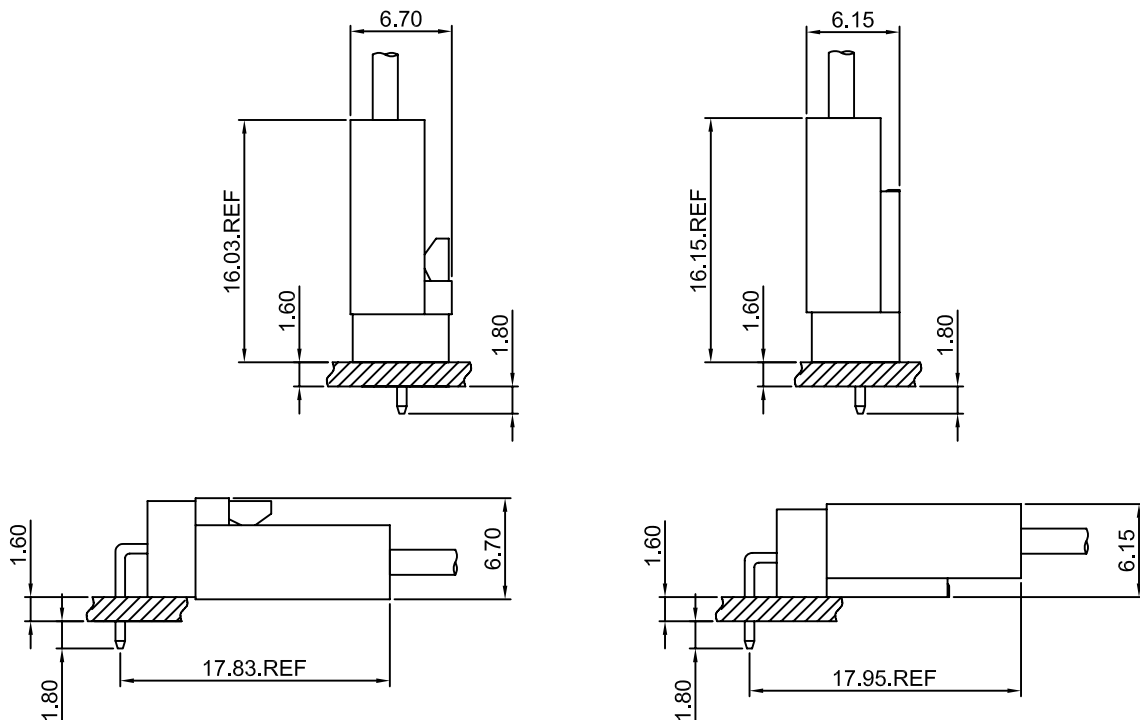
## Specifications

- Current rating:4A AC,DC
- Voltage rating:250V AC,DC
- Temperature range:-40°C~+105°C
- Contact resistance:10mΩMax.
- Insulation resistance:1000MΩMin.
- Withstanding voltage:1000V AC/minute
- \*Compliant with RoHS and REACH\*
- \*Meet the HF/Halogen Free,need to customize\*
- \*Contact CJT for details\*

## Standards



## Assembly layout

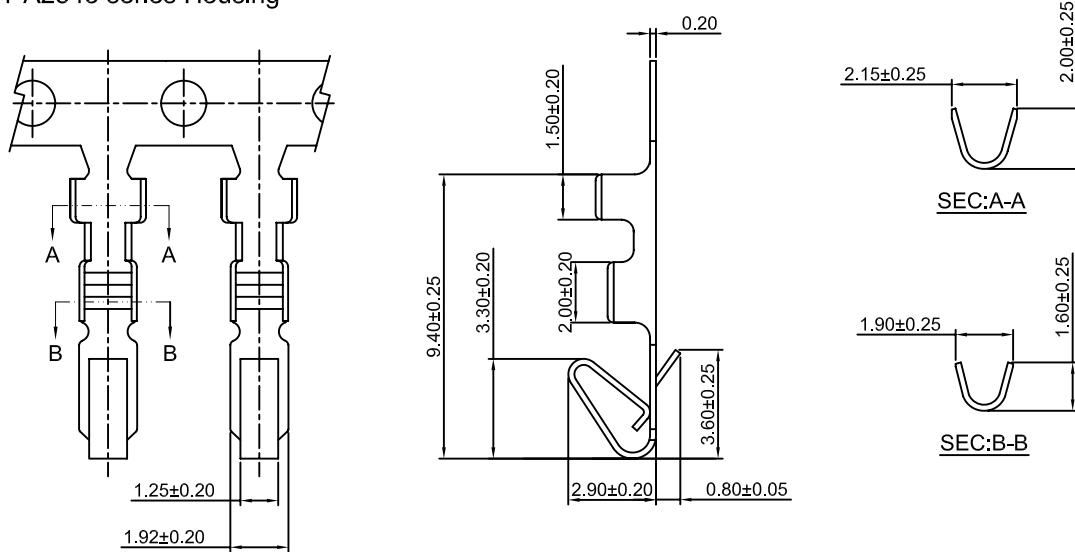


## A2543-T

2.54mm Pitch Crimp Terminal

### Reference Informations:

\*Used in CJT A2543 series Housing



### Ordering information & Specifications:

Unit:mm

Part NO.	Wire Range	Insulation O.D.	Material	Finish	Qty/reel
A2543-TB	AWG#22-#28	1.90mm(max)	Brass	Tin over Nickel	10,000 PCS
A2543-TP	AWG#22-#28	1.90mm(max)	Phosphor Bronze	Tin over Nickel	10,000 PCS
A2543-GB	AWG#22-#28	1.90mm(max)	Brass	Gold over Nickel	10,000 PCS
A2543-GP	AWG#22-#28	1.90mm(max)	Phosphor Bronze	Gold over Nickel	10,000 PCS

Optional Gold plating available but MOQ requested

## A2543H-XP

2.54mm Pitch Housing

### Reference Informations:

\*Material:Nylon 66 ,UL94V-0

\*Suitable CJT A2543 series Terminal

\*Mates with CJT A2543 series Wafer

\*Color:Beige or White

### Ordering Information:

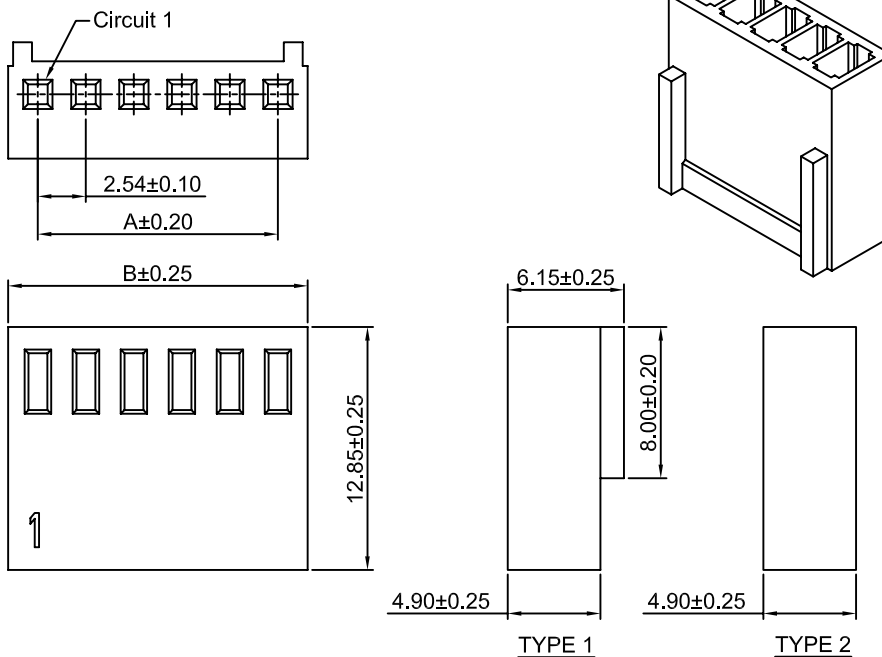
A2543H-XP - \*\*  
1 2

1.Part No.

2.Style:

(blank) :Type 1/Beige

2 :Type 2/White



### Ordering Information & Dimensions:

PART NO.	Dimensions	
	A	B
2P	2.54	5.68
3P	5.08	8.22
4P	7.62	10.76
5P	10.16	13.30
6P	12.70	15.84
7P	15.24	18.38
8P	17.78	20.92
9P	20.32	23.46
10P	22.86	26.00
11P	25.40	28.54
12P	27.94	31.08
13P	30.48	33.62
14P	33.02	36.16
15P	35.56	38.70
16P	38.10	41.24
17P	40.64	43.78
18P	43.18	46.32
19P	45.72	48.86
20P	48.26	51.40
21P	50.80	53.94
22P	53.34	56.48
23P	55.88	59.02
24P	58.42	61.56
25P	60.96	64.10

Unit: mm

## A2543HA-XP

2.54mm Pitch Housing

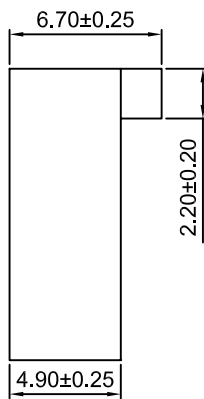
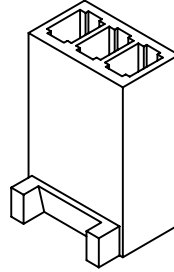
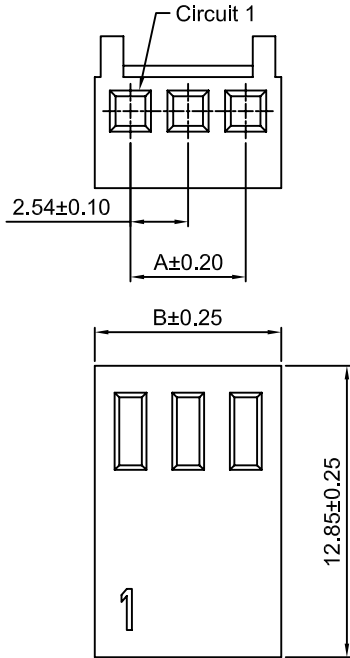
### Reference Informations:

- \*Material:Nylon 66 ,UL94V-0
- \*Suitable CJT A2543 series Terminal
- \*Mates with CJT A2543 series Wafer
- \*Color: Brown

### Ordering Information:

A2543HA-XP - \*\*  
1 2

- 1.Part No.
- 2.Color:  
(blank):Brown  
WH:White



### Ordering Information & Dimensions:

PART NO.	Dimensions	
	A	B
2P	2.54	5.68
3P	5.08	8.22
4P	7.62	10.76
5P	10.16	13.30
6P	12.70	15.84
7P	15.24	18.38
8P	17.78	20.92
9P	20.32	23.46
10P	22.86	26.00
11P	25.40	28.54
12P	27.94	31.08
13P	30.48	33.62
14P	33.02	36.16
15P	35.56	38.70
16P	38.10	41.24
17P	40.64	43.78
18P	43.18	46.32
19P	45.72	48.86
20P	48.26	51.40
21P	50.80	53.94
22P	53.34	56.48
23P	55.88	59.02
24P	58.42	61.56
25P	60.96	64.10

Unit: mm

## A2543HB-XP

2.54mm Pitch Housing

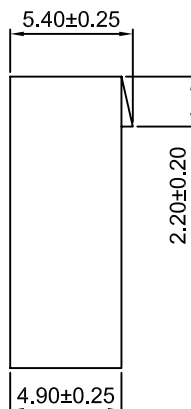
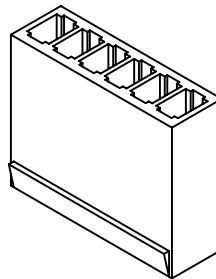
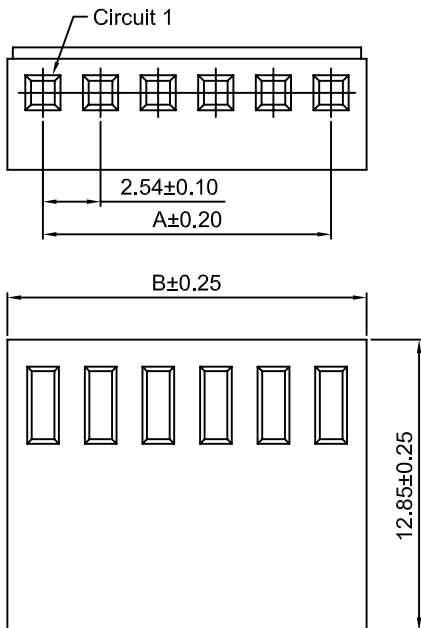
### Reference Informations:

- \*Material:Nylon 66 ,UL94V-0
- \*Suitable CJT A2543 series Terminal
- \*Mates with CJT A2543 series Wafer
- \*Color:Brown

### Ordering Information:

A2543HB-XP - \*\*  
1 2

- 1.Part No.
- 2.Color:  
(blank):Brown  
WH:White



### Ordering Information & Dimensions:

PART NO.	Dimensions	
	A	B
2P	2.54	5.68
3P	5.08	8.22
4P	7.62	10.76
5P	10.16	13.30
6P	12.70	15.84
7P	15.24	18.38
8P	17.78	20.92
9P	20.32	23.46
10P	22.86	26.00
11P	25.40	28.54
12P	27.94	31.08
13P	30.48	33.62
14P	33.02	36.16
15P	35.56	38.70
16P	38.10	41.24
17P	40.64	43.78
18P	43.18	46.32
19P	45.72	48.86
20P	48.26	51.40
21P	50.80	53.94
22P	53.34	56.48
23P	55.88	59.02
24P	58.42	61.56
25P	60.96	64.10

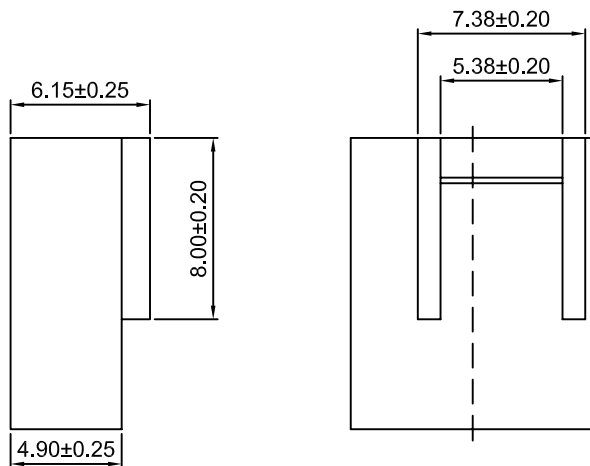
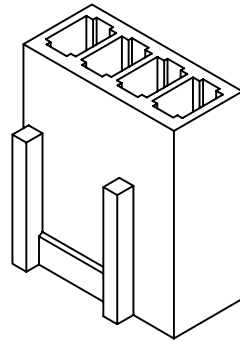
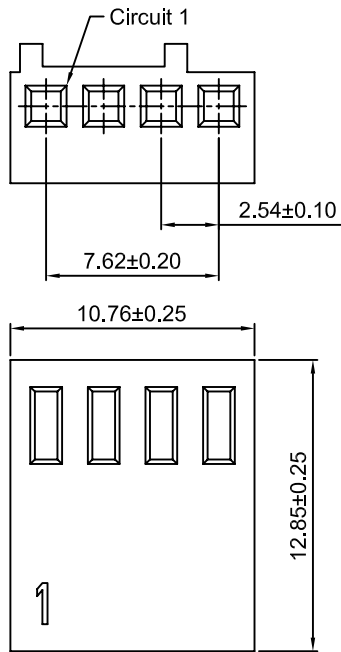
Unit: mm

## A2543HC-4P

2.54mm Pitch Housing

### Reference Informations:

- \*Material:Nylon 66 ,UL94V-0
- \*Suitable CJT A2543 series Terminal
- \*Mates with CJT A2543WVC series Wafer
- \*Color:Beige



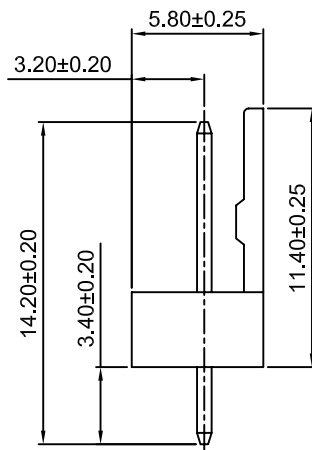
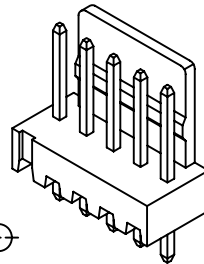
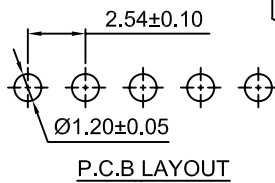
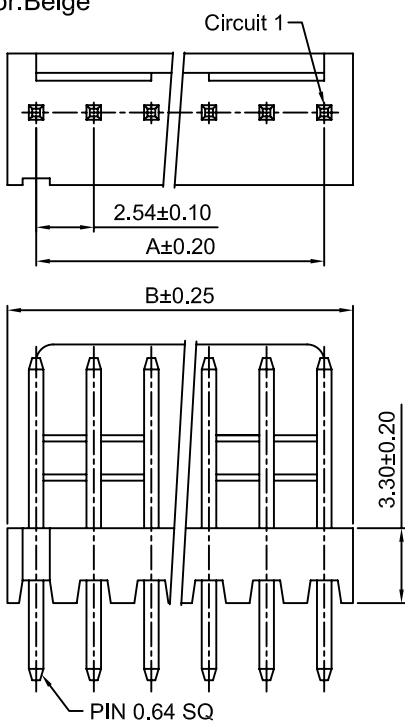
Unit: mm

## A2543WV-XP

2.54mm pitch 180° Wafer

### Reference Informations:

- \*Material:Pin:Brass/Tin over Nickel  
Insulator:Nylon 66 ,UL94V-0
- \*Mates with CJT A2543 series Housing
- \*Color:Beige



### Ordering Information & Dimensions:

PART NO.	Dimensions	
	A	B
2P	2.54	5.08
3P	5.08	7.62
4P	7.62	10.16
5P	10.16	12.70
6P	12.70	15.24
7P	15.24	17.78
8P	17.78	20.32
9P	20.32	22.86
10P	22.86	25.40
11P	25.40	27.94
12P	27.94	30.48
13P	30.48	33.02
14P	33.02	35.56
15P	35.56	38.10
16P	38.10	40.64
17P	40.64	43.18
18P	43.18	45.72
19P	45.72	48.26
20P	48.26	50.80
21P	50.80	53.34
22P	53.34	55.88
23P	55.88	58.42
24P	58.42	60.96
25P	60.96	63.50
26P	63.50	66.04
27P	66.04	68.58
28P	68.58	71.12

Unit: mm

## A2543WR-XP

2.54mm pitch 90° Wafer

### Reference Informations:

- \*Material:Pin:Brass/Tin over Nickel  
Insulator:Nylon 66,UL94V-0
- \*Mates with CJT A2543 series Housing
- \*Color:Beige

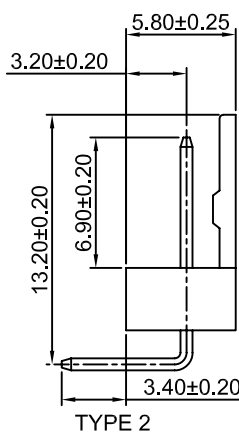
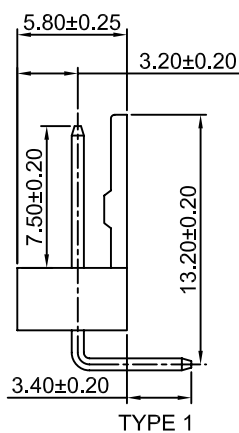
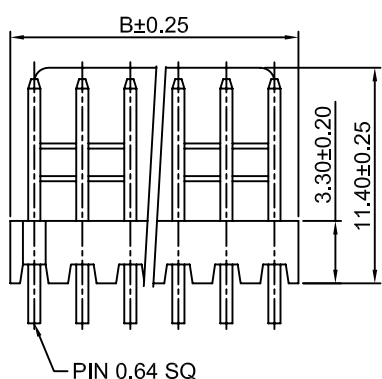
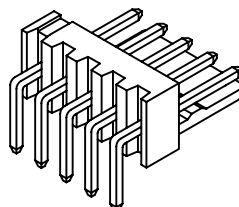
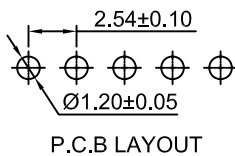
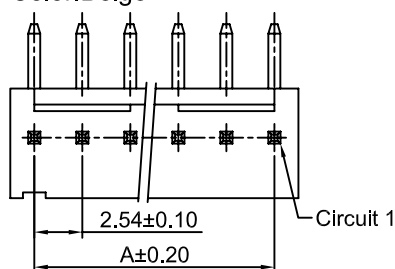
### Ordering Information:

- A2543WR-XP - \*\*  
 1                    2  
 1.Part No.  
 2.Style:  
 (blank) :Type 1  
 2 :Type 2

### Ordering Information & Dimensions:

PART NO.	Dimensions	
	A	B
2P	2.54	5.08
3P	5.08	7.62
4P	7.62	10.16
5P	10.16	12.70
6P	12.70	15.24
7P	15.24	17.78
8P	17.78	20.32
9P	20.32	22.86
10P	22.86	25.40
11P	25.40	27.94
12P	27.94	30.48
13P	30.48	33.02
14P	33.02	35.56
15P	35.56	38.10
16P	38.10	40.64
17P	40.64	43.18
18P	43.18	45.72
19P	45.72	48.26
20P	48.26	50.80
21P	50.80	53.34
22P	53.34	55.88
23P	55.88	58.42
24P	58.42	60.96
25P	60.96	63.50
26P	63.50	66.04
27P	66.04	68.58
28P	68.58	71.12

Unit: mm



## A2543WR-XP-L

2.54mm pitch 90° Wafer

### Reference Informations:

- \*Material:Pin:Brass/Tin over Nickel  
Insulator:Nylon 66 ,UL94V-0
- \*Mates with CJT A2543 series Housing
- \*Color:Beige

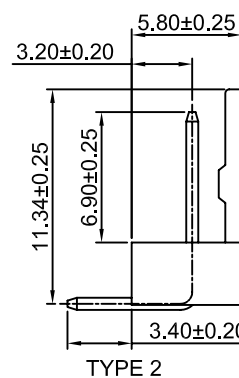
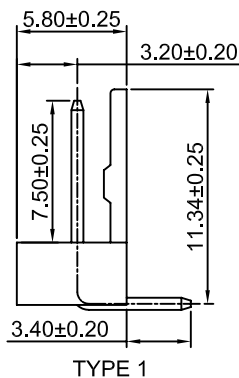
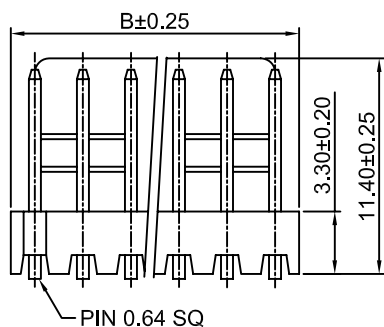
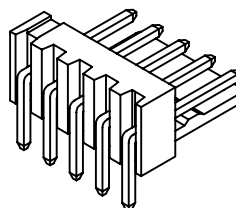
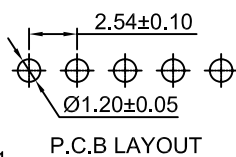
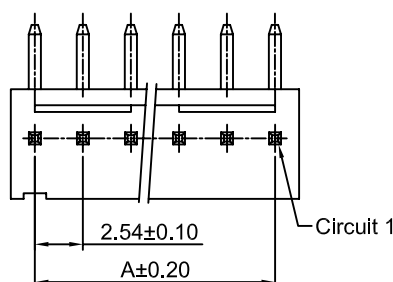
### Ordering Information:

- A2543WR-XP-L - \*\*  
 1                    2  
 1.Part No.  
 2.Style:  
 (blank) :Type 1  
 2 :Type 2

### Ordering Information & Dimensions:

PART NO.	Dimensions	
	A	B
2P	2.54	5.08
3P	5.08	7.62
4P	7.62	10.16
5P	10.16	12.70
6P	12.70	15.24
7P	15.24	17.78
8P	17.78	20.32
9P	20.32	22.86
10P	22.86	25.40
11P	25.40	27.94
12P	27.94	30.48
13P	30.48	33.02
14P	33.02	35.56
15P	35.56	38.10
16P	38.10	40.64
17P	40.64	43.18
18P	43.18	45.72
19P	45.72	48.26
20P	48.26	50.80
21P	50.80	53.34
22P	53.34	55.88
23P	55.88	58.42
24P	58.42	60.96
25P	60.96	63.50
26P	63.50	66.04
27P	66.04	68.58
28P	68.58	71.12

Unit: mm

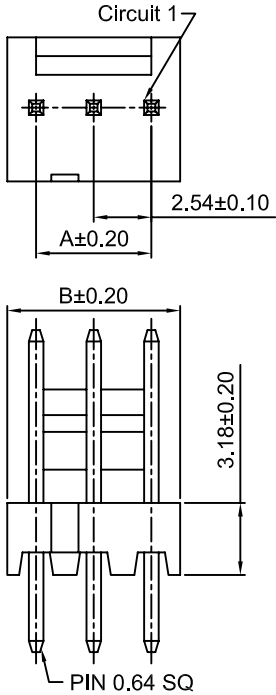


## A2543WVA-XP

2.54mm pitch 180° Wafer

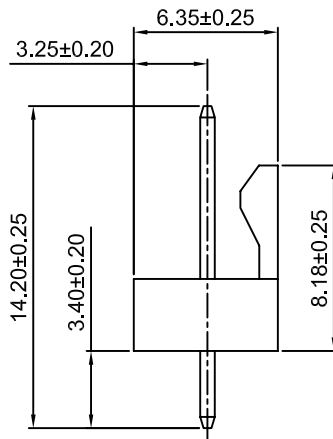
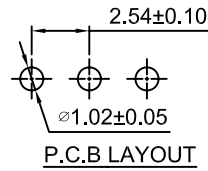
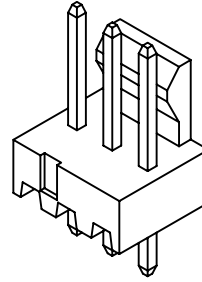
### Reference Informations:

- \*Material: Pin: Brass/Tin over Nickel  
Insulator: Nylon 66 ,UL94V-0
- \*Mates with CJT A2543 series Housing
- \*Color: Brown



Ordering Information:  
A2543WVA-XP - \*\*

1. Part No.
2. Color:  
(blank): Brown  
WH: White



### Ordering Information & Dimensions:

PART NO.	Dimensions	
	A	B
2P	2.54	5.08
3P	5.08	7.62
4P	7.62	10.16
5P	10.16	12.70
6P	12.70	15.24
7P	15.24	17.78
8P	17.78	20.32
9P	20.32	22.86
10P	22.86	25.40
11P	25.40	27.94
12P	27.94	30.48
13P	30.48	33.02
14P	33.02	35.56
15P	35.56	38.10
16P	38.10	40.64
17P	40.64	43.18
18P	43.18	45.72
19P	45.72	48.26
20P	48.26	50.80
21P	50.80	53.34
22P	53.34	55.88
23P	55.88	58.42
24P	58.42	60.96
25P	60.96	63.50
26P	63.50	66.04
27P	66.04	68.58
28P	68.58	71.12

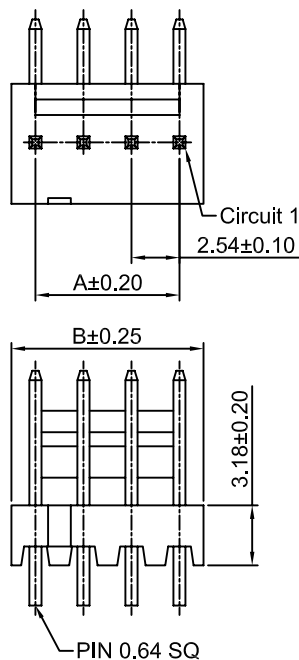
Unit: mm

## A2543WRA-XP

2.54mm Pitch 90° Wafer

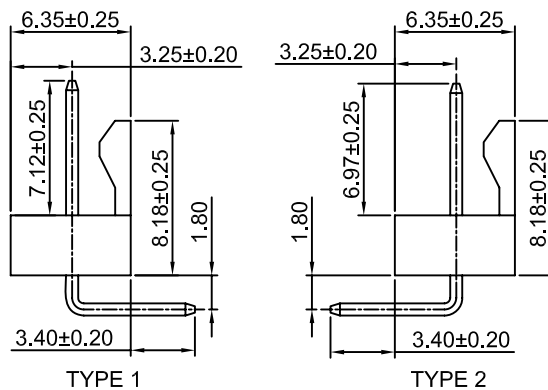
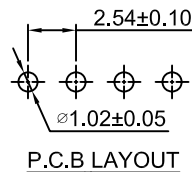
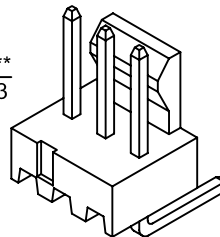
### Reference Informations:

- \*Material: Pin: Brass/Tin over Nickel  
Insulator: Nylon 66 ,UL94V-0
- \*Mates with CJT A2543 series Housing
- \*Color: Brown or White



Ordering Information:  
A2543WRA-XP - \* - \*\*

1. Part No.
2. Style:  
(blank) : Type 1  
2 : Type 2
3. Color:  
(blank): Brown  
WH: White



### Ordering Information & Dimensions:

PART NO.	Dimensions	
	A	B
2P	2.54	5.08
3P	5.08	7.62
4P	7.62	10.16
5P	10.16	12.70
6P	12.70	15.24
7P	15.24	17.78
8P	17.78	20.32
9P	20.32	22.86
10P	22.86	25.40
11P	25.40	27.94
12P	27.94	30.48
13P	30.48	33.02
14P	33.02	35.56
15P	35.56	38.10
16P	38.10	40.64
17P	40.64	43.18
18P	43.18	45.72
19P	45.72	48.26
20P	48.26	50.80
21P	50.80	53.34
22P	53.34	55.88
23P	55.88	58.42
24P	58.42	60.96
25P	60.96	63.50
26P	63.50	66.04
27P	66.04	68.58
28P	68.58	71.12

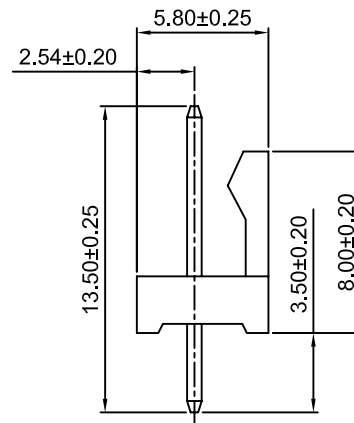
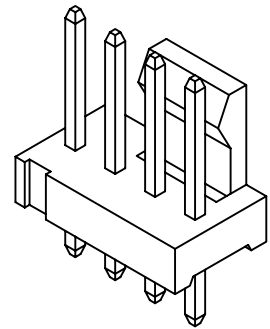
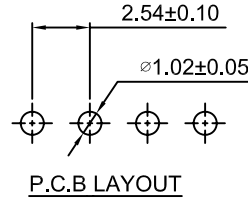
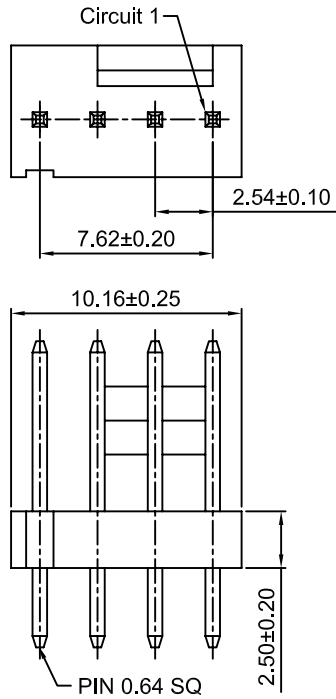
Unit: mm

## A2543WVC-4P

2.54mm pitch 180° Wafer

### Reference Informations:

- \*Material: Pin: Brass/Tin over Nickel  
Insulator: Nylon 66 ,UL94V-0
- \*Mates with CJT A2543HC series Housing
- \*Color: Beige



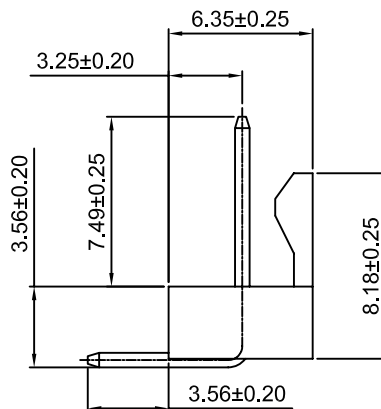
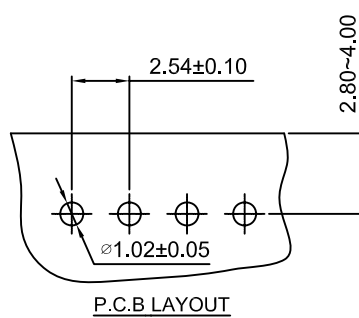
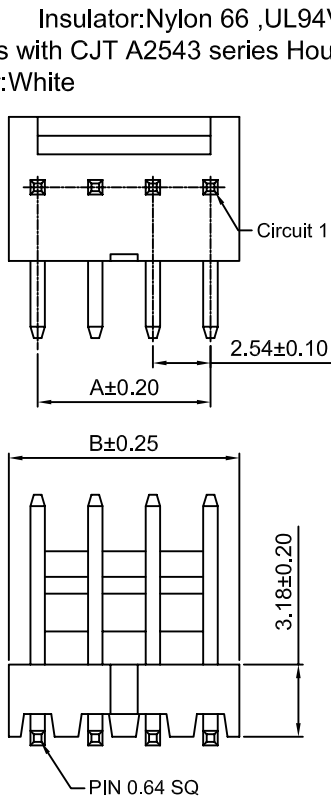
Unit: mm

## A2543WRD-XP

2.54mm Pitch 90° Wafer

### Reference Informations:

- \*Material: Pin: Brass/Tin over Nickel  
Insulator: Nylon 66 ,UL94V-0
- \*Mates with CJT A2543 series Housing
- \*Color: White



### Ordering Information & Dimensions:

PART NO.	Dimensions	
	A	B
2P	2.54	5.08
3P	5.08	7.62
4P	7.62	10.16
5P	10.16	12.70
6P	12.70	15.24
7P	15.24	17.78
8P	17.78	20.32
9P	20.32	22.86
10P	22.86	25.40
11P	25.40	27.94
12P	27.94	30.48
13P	30.48	33.02
14P	33.02	35.56
15P	35.56	38.10
16P	38.10	40.64
17P	40.64	43.18
18P	43.18	45.72
19P	45.72	48.26
20P	48.26	50.80

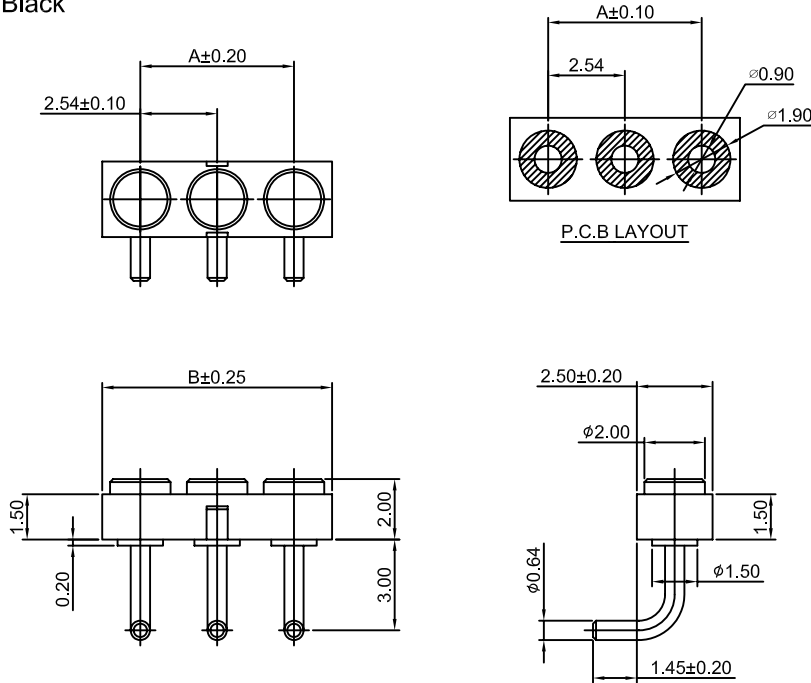
Unit: mm

## A2543WRE-XP

2.54mm Pitch 90° Wafer

### Reference Informations:

- \*Material:Pin:Brass/Gold over Nickel  
Insulator:Nylon 66 ,UL94V-0
- \*Mates with CJT A2543 series Housing
- \*Color:Black



### Ordering Information & Dimensions:

PART NO.	Dimensions	
	A	B
2P	2.54	5.06
3P	5.08	7.60
4P	7.62	10.14
5P	10.16	12.68
6P	12.70	15.22
7P	15.24	17.76
8P	17.78	20.30
9P	20.32	22.84
10P	22.86	25.38
11P	25.40	27.92
12P	27.94	30.46
13P	30.48	33.00
14P	33.02	35.54
15P	35.56	38.08
16P	38.10	40.62
17P	40.64	43.16
18P	43.18	45.70
19P	45.72	48.24
20P	48.26	50.78

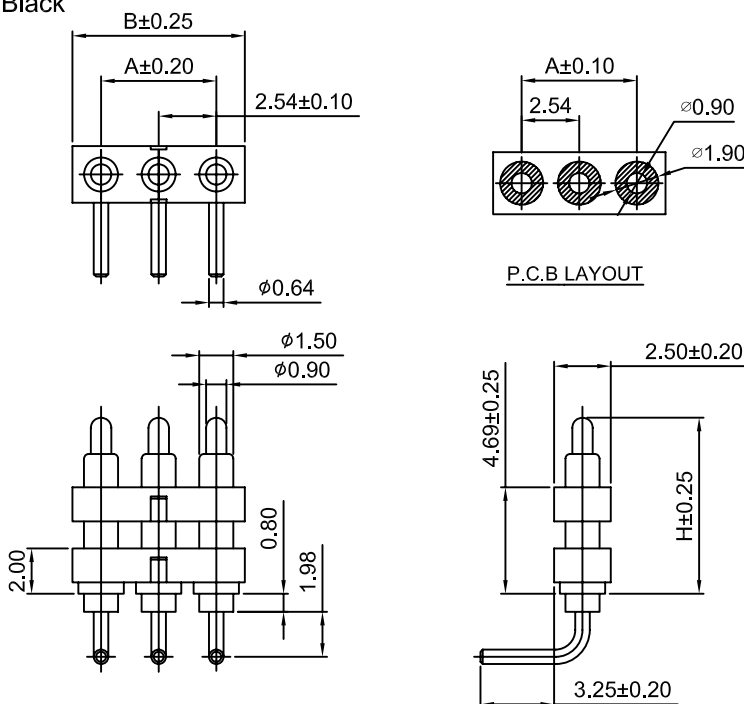
Unit: mm

## A2543WREA-XP

2.54mm Pitch 90° Wafer

### Reference Informations:

- \*Material:Pin:Brass/Gold over Nickel  
Insulator:Nylon 66 ,UL94V-0
- \*Mates with CJT A2543 series Housing
- \*Color:Black



Ordering Information:  
A2543WREA-XP - \*\*  
1 2

- 1.Part No.
- 2.Size(H):  
(Blank): 7.76mm  
H64: 6.36mm  
H66: 6.56mm  
H67: 6.76mm

### Ordering Information & Dimensions:

PART NO.	Dimensions	
	A	B
2P	2.54	5.06
3P	5.08	7.60
4P	7.62	10.14
5P	10.16	12.68
6P	12.70	15.22
7P	15.24	17.76
8P	17.78	20.30
9P	20.32	22.84
10P	22.86	25.38
11P	25.40	27.92
12P	27.94	30.46
13P	30.48	33.00
14P	33.02	35.54
15P	35.56	38.08
16P	38.10	40.62
17P	40.64	43.16
18P	43.18	45.70
19P	45.72	48.24
20P	48.26	50.78

Unit: mm

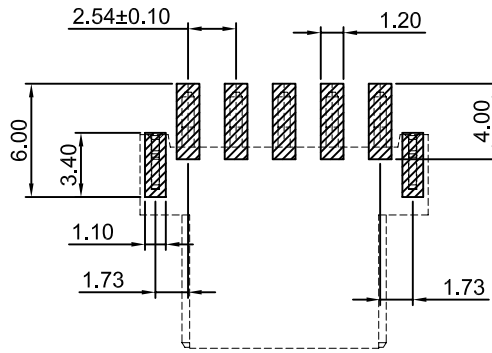
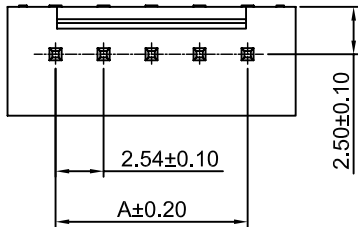


## A2543WR-S-XP

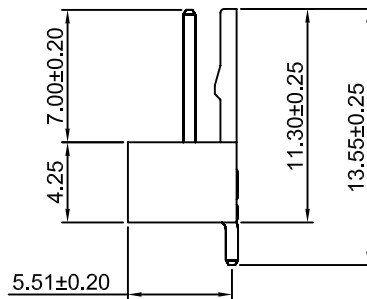
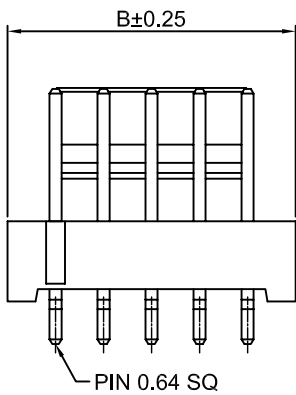
2.54mm Pitch 90° Wafer - SMT TYPE

### Reference Informations:

- \*Material: Pin: Brass/Tin over Nickel  
Insulator: PA9T, UL94V-0
- \*Mates with CJT A2543 series Housing
- \*Color: Natural



P.C.B LAYOUT



### Ordering Information & Dimensions:

PART NO.	Dimensions	
	A	B
2P	2.54	7.62
4P	7.62	12.70
5P	12.70	15.24

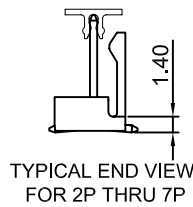
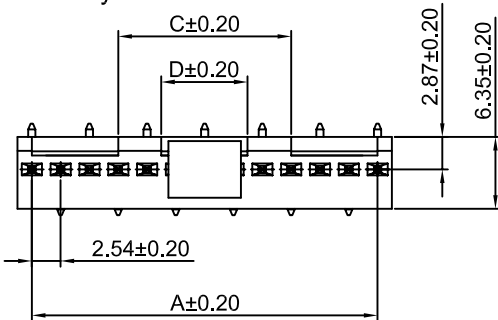
Unit: mm

## A2543WVB-S-XP

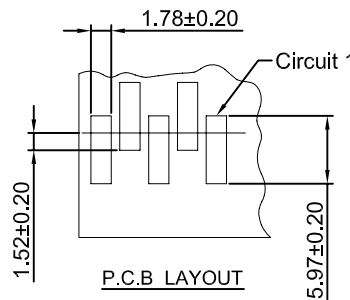
2.54mm pitch 180° Wafer - SMT TYPE

### Reference Informations:

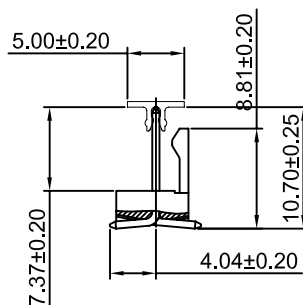
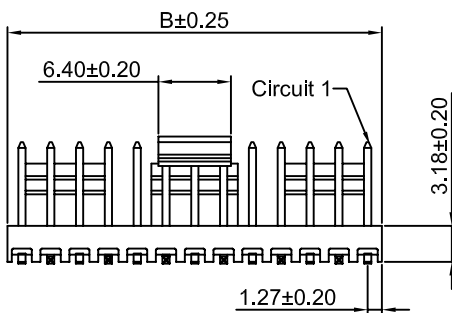
- \*Material: Pin: Brass/Tin over Nickel  
Insulator: LCP, UL94V-0
- \*Mates with CJT A2543 series Housing
- \*Color: Ivory



TYPICAL END VIEW FOR 2P THRU 7P



P.C.B LAYOUT



Ordering Information:  
A2543WVB-S-XP - \* - \*  
1 2 3

- Part No.
- Color:  
(blank) - Ivory  
BK - Black
- Finish:  
(blank) - Tin over Nickel  
G - Gold over Nickel

### Ordering Information & Dimensions:

PART NO.	Dimensions			
	A	B	C	D
2P	2.54	5.08	----	----
3P	5.08	7.62	----	----
4P	7.62	10.16	----	----
5P	10.16	12.70	----	----
6P	12.70	15.24	----	----
7P	15.24	17.78	----	----
8P	17.78	20.32	----	----
9P	20.32	22.86	2.54	----
10P	22.86	25.40	5.08	----
11P	25.40	27.94	7.62	----
12P	27.94	30.48	10.16	7.62
13P	30.48	33.02	12.70	7.62
14P	33.02	35.56	15.24	12.70
15P	35.56	38.10	17.78	12.70
16P	38.10	40.64	20.32	12.70
17P	40.64	43.18	22.86	12.70
18P	43.18	45.72	25.40	12.70

Unit: mm

## X-ON Electronics

Largest Supplier of Electrical and Electronic Components

*Click to view similar products for [Headers & Wire Housings](#) category:*

*Click to view products by [Changjiang](#) manufacturer:*

Other Similar products are found below :

[57102-F02-18ULF](#) [58102-G61-06LF](#) [0009485154](#) [009176003701906](#) [0050291907](#) [00-9021-0611-00-339](#) [02.125.8002.8](#) [609-3404](#) [61062-3](#)  
[622-0430](#) [622-3653LF](#) [63453-116](#) [636-1030](#) [636-1427](#) [636-3427](#) [636-4007](#) [641938-9](#) [644827-2](#) [65495-038](#) [65692-001LF](#) [65781-018](#)  
[65781-047](#) [65817-010LF](#) [65817-015LF](#) [66207-023LF](#) [67016-026LF](#) [67095-007LF](#) [68631-112](#) [68645-018](#) [68648-049](#) [699319-000](#)  
[70.362.1628.0](#) [70-4210](#) [70-4226B](#) [70-4853B](#) [707-5020](#) [707-5028](#) [71.350.2428.0](#) [71961-016LF](#) [733-134](#) [754199-000](#) [760-3052](#) [787-8014-00](#)  
[FCN-367T-T012/H](#) [80.063.4001.1](#) [800-90-001-10-001000](#) [800-90-010-10-002000](#) [801-43-002-10-013000](#) [801-43-006-10-002000](#)  
[803-41-018-10-001000](#)