

P.C.B LAYOUT
TOLERANCE:±0.05

Ordering Information:

A3963WV-XP - ** - ** - ** - **
1 2 3 4 5

1.Part NO.

2.Material:

(Blank): Nylon 66,UL94V-0(White)

GWT: Nylon 66,UL94V-0(Beige),IEC 60335-1,5th Edition
Glow Wire Capable.

3.Color:

(Blank): see section 2 Material

BK: Black BL: Blue PK:Pink

RD: Red OR:Orange GN:Green

YL:Yellow GY:Gray BR:Brown

VJ:Violet IV:Ivory LY:Lemon yellow

LE:Light Blue VY:Vivid yellow

4.Finish:

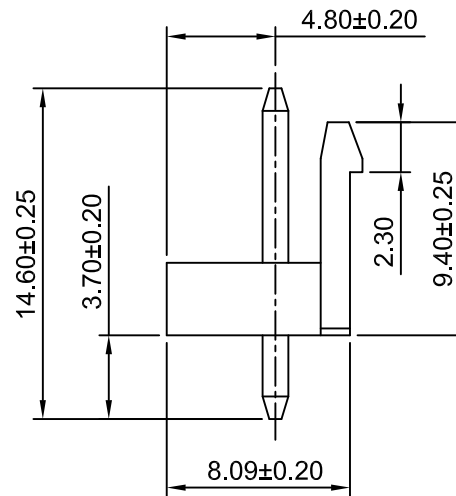
(Blank): Tin over Nickel

G: Gold over Nickel

5.Void position:

(Blank): Full positions

N*.*.*: Void position(select Arbitrary numbers)



SPECIFICATIONS:

Current Rating: 10A AC,DC(AWG #16)

Voltage Rating: 250V AC,DC

Temperature Range: -40°C ~ +105°C

Contact Resistance: 10mΩ Max

Insulation Resistance: 1000MΩ Min

Withstanding Voltage: 1500V AC/minute

Pin Material: Brass

Ordering Information & Dimensions

Part NO.	Dimensions(mm)	
	A	B
A3963WV-2P	3.96	7.92
A3963WV-3P	7.92	11.88
A3963WV-4P	11.88	15.84
A3963WV-5P	15.84	19.80
A3963WV-6P	19.80	23.76
A3963WV-7P	23.76	27.72
A3963WV-8P	27.72	31.68
A3963WV-9P	31.68	35.64
A3963WV-10P	35.64	39.60
A3963WV-11P	39.60	43.56
A3963WV-12P	43.56	47.52
A3963WV-13P	47.52	51.48
A3963WV-14P	51.48	55.44
A3963WV-15P	55.44	59.40

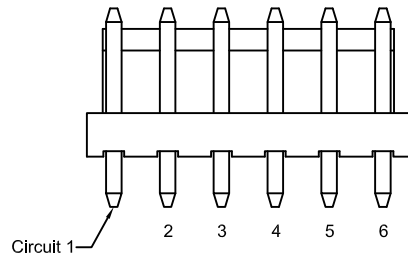
CJTconn CHANGJIANG CONNECTORS CO.,LTD.

Unit	Scale	Sheet	TITLE
mm	3:1	1 of 2	3.96mm PITCH VERTICAL WAFER
A4	CHANGE THE DRAWING	2022.08.09	
A3	ADD THE SIZE	2020.09.04	CHK'D
A2	CHANGE THE DRAWING	2019.06.28	Haisen Li
A1	CHANGE THE INFORMATION	2018.12.25	Diankui Wan
A0	NEW RELEASE	2005.05.10	Jack Yin
REV	DESCRIPTION	DATE	THIRD ANGLE PROJECTION

DRAWING NO.	REV
A3963WV-XP	A4

Style	Circuits	O=With circuit (post) X=Without circuit (post)														
		P1	P2	P3	P4	P5	P6	P7	P8	P9	P10	P11	P12	P13	P14	P15
N1	4P	X	O	O	O											
N1.3	4P	X	O	X	O											
N2	4P	O	X	O	O											
N2.3	4P	O	X	X	O											
N2.4	4P	O	X	O	X											
N3	4P	O	O	X	O											
N2	5P	O	X	O	O	O										
N2.3.4	5P	O	X	X	X	O										
N2.3.5	5P	O	X	X	O	X										
N3	5P	O	O	X	O	O										
N3.4	5P	O	O	X	X	O										
N4	5P	O	O	O	X	O										
N1.3.4.5	6P	X	O	X	X	X	O									
N1.3.5	6P	X	O	X	O	X	O									
N2	6P	O	X	O	O	O	O									
N2.4	6P	O	X	O	X	O	O									
N2.3.5	6P	O	X	X	O	X	O									
N2.4.5	6P	O	X	O	X	X	O									
N2.4.6	6P	O	X	O	X	O	X									
N3.4	6P	O	O	X	X	O	O									
N3.5	6P	O	O	X	O	X	O									
N5	6P	O	O	O	O	X	O									
N2	7P	O	X	O	O	O	O	O								
N2.3.5.6	7P	O	X	X	O	X	X	O								
N2.5	7P	O	X	O	O	X	O	O								
N2.6	7P	O	X	O	O	O	X	O								
N3.4.6	7P	O	O	X	X	O	X	O								
N6	7P	O	O	O	O	O	X	O								
N1.3.5.7	8P	X	O	X	O	X	O	X	O							
N2	8P	O	X	O	O	O	O	O	O							
N2.3.5.7	8P	O	X	X	O	X	O	X	O							
N2.3.4.5.7	8P	O	X	X	X	X	O	X	O							
N2.4	8P	O	X	O	X	O	O	O	O							
N2.4.5	8P	O	X	O	X	X	O	O	O							

Style	Circuits	O=With circuit (post) X=Without circuit (post)														
		P1	P2	P3	P4	P5	P6	P7	P8	P9	P10	P11	P12	P13	P14	P15
N2.4.5.6	8P	O	X	O	X	X	X	O	O							
N2.4.5.7	8P	O	X	O	X	X	O	X	O							
N2.4.6	8P	O	X	O	X	O	X	O	O							
N2.4.6.7	8P	O	X	O	X	O	X	X	O							
N2.4.6.8	8P	O	X	O	X	O	X	O	X							
N2.4.7	8P	O	X	O	X	O	O	X	O							
N2.5	8P	O	X	O	O	X	O	O	O							
N2.5.7	8P	O	X	O	O	X	O	X	O							
N3.4.5.7	8P	O	O	X	X	X	O	X	O							
N3.5.7	8P	O	O	X	O	X	O	X	O							
N3.6	8P	O	O	X	O	O	X	O	O							
N3.6.7	8P	O	O	X	O	O	X	X	O							
N3.7	8P	O	O	X	O	O	O	X	O							
N5.7	8P	O	O	O	O	X	O	X	O							
N6	8P	O	O	O	O	O	X	O	O							
N7	8P	O	O	O	O	O	O	X	O							
N2.4.6	9P	O	X	O	X	O	X	O	O	O						
N2.6.8	9P	O	X	O	O	O	X	O	X	O						
N2.4.6.7.8	9P	O	X	O	X	O	X	X	X	O						
N4.6.8	9P	O	O	O	X	O	X	O	X	O						
N8	9P	O	O	O	O	O	O	O	X	O						
N2.3.5.6.8.9	10P	O	X	X	O	X	X	O	X	X	O					
N2.4.6.9	10P	O	X	O	X	O	X	O	O	X	O					
N3.5.7.9	10P	O	O	X	O	X	O	X	O	X	O					
N5	10P	O	O	O	O	X	O	O	O	O	O					
N9	10P	O	O	O	O	O	O	O	O	X	O					
N3.6.8.10	11P	O	O	X	O	O	X	O	X	O	X	O				
N4.6.8.10	11P	O	O	O	X	O	X	O	X	O	X	O				
N10	11P	O	O	O	O	O	O	O	O	O	X	O				
N11	12P	O	O	O	O	O	O	O	O	O	O	X	O			
N12	13P	O	O	O	O	O	O	O	O	O	O	O	X	O		
N13	14P	O	O	O	O	O	O	O	O	O	O	O	O	X	O	
N14	15P	O	O	O	O	O	O	O	O	O	O	O	O	O	X	



A4	CHANGE THE DRAWING	2022.08.09
A3	ADD THE SIZE	2020.09.04
A2	CHANGE THE DRAWING	2019.06.28
A1	CHANGE THE INFORMATION	2018.12.25
A0	NEW RELEASE	2005.05.10
REV	DESCRIPTION	DATE

CJTconn CHANGJIANG CONNECTORS CO.,LTD.

Unit	Scale	Sheet	TITLE
mm	2:1	2 of 2	3.96mm PITCH VERTICAL WAFER
DRAWN	CHK'D	APPR	
Haisen Li	Diankui Wan	Jack Yin	DRAWING NO.
General Tolerances			THIRD ANGLE PROJECTION
x.xx±0.25 x.xxx±0.20 x.xxxx±0.15 ANGLES ±1°			REV
			A4

A3963WV-XP

X-ON Electronics

Largest Supplier of Electrical and Electronic Components

Click to view similar products for [Headers & Wire Housings](#) category:

Click to view products by [Changjiang](#) manufacturer:

Other Similar products are found below :

[57102-F02-18ULF](#) [58102-G61-06LF](#) [0009485154](#) [009176003701906](#) [0050291907](#) [00-9021-0611-00-339](#) [02.125.8002.8](#) [609-3404](#) [61062-3](#)
[622-0430](#) [622-3653LF](#) [63453-116](#) [636-1030](#) [636-1427](#) [636-3427](#) [636-4007](#) [641938-9](#) [644827-2](#) [65495-038](#) [65692-001LF](#) [65781-018](#)
[65781-047](#) [65817-010LF](#) [65817-015LF](#) [66207-023LF](#) [67016-026LF](#) [67095-007LF](#) [68631-112](#) [68645-018](#) [68648-049](#) [699319-000](#)
[70.362.1628.0](#) [70-4210](#) [70-4226B](#) [70-4853B](#) [707-5020](#) [707-5028](#) [71.350.2428.0](#) [71961-016LF](#) [733-134](#) [754199-000](#) [760-3052](#) [787-8014-00](#)
[FCN-367T-T012/H](#) [80.063.4001.1](#) [800-90-001-10-001000](#) [800-90-010-10-002000](#) [801-43-002-10-013000](#) [801-43-006-10-002000](#)
[803-41-018-10-001000](#)