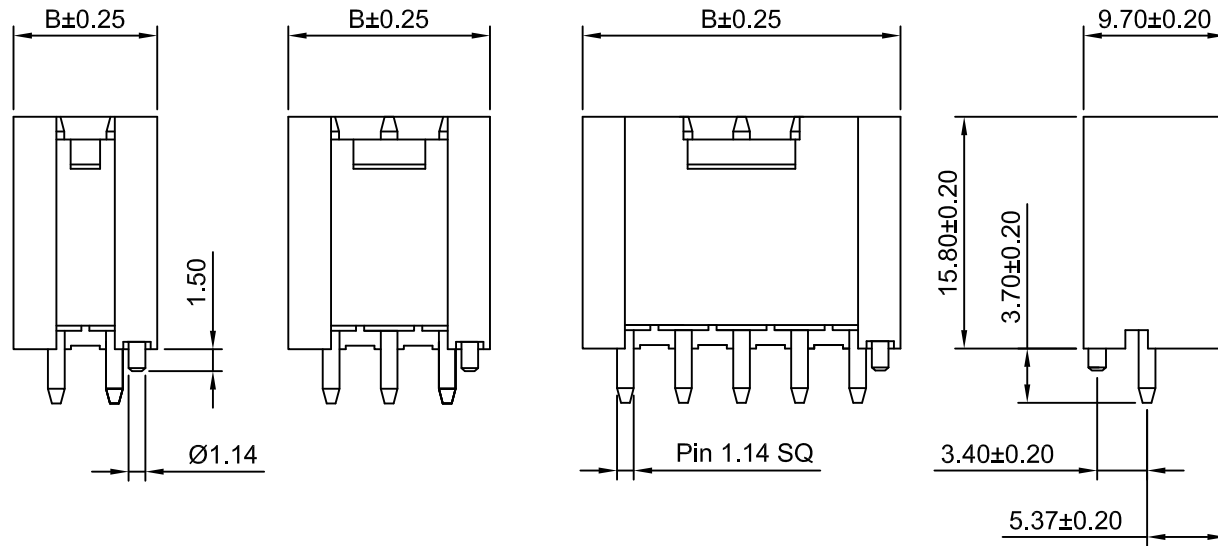


2P

3P

4~15P



Pin 1.14 SQ

Ordering Information:

A3963WVD-F-XP-H - *** - *** - *** - ***
 1 2 3 4 5

1.Part NO.

2.Material:

(Blank): PBT,UL94V-0(White)

GWT: Nylon 66,UL94V-0(Beige),IEC 60335-1,5th Edition
 Glow Wire Capable.

46: Nylon 46,UL94V-0(Beige)

6T: Nylon 6T,UL94V-0(Beige)

3.Color:

(Blank): White

BK: Black

YL: Yellow

RD: Red

OR: Orange

BL: Blue

PK: Pink

GN: Green

GY: Gray

4.Finish:

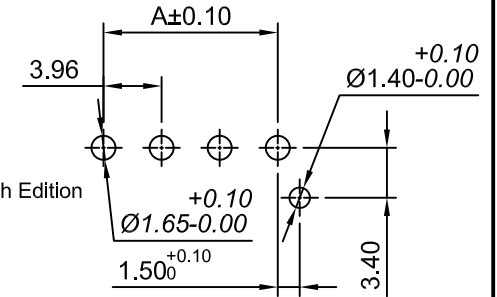
(Blank): Tin over Nickel

G: Gold over Nickel

5.Void position:

(Blank): Full positions

N*.*: Void position(select Arbitrary numbers)



P.C.B LAYOUT
TOLERANCE:±0.05

SPECIFICATIONS:

Current Rating: 10A AC,DC(AWG #16)

Voltage Rating: 250V AC,DC

Temperature Range: -40°C ~ +105°C

Contact Resistance: 10mΩ Max

Insulation Resistance: 1000MΩ Min

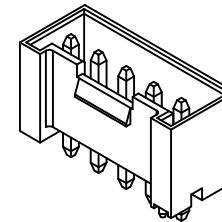
Withstanding Voltage: 1500V AC/minute

Pin Material: Brass/Tin over Nickel

Material: PBT+30%GF,UL94V-0(White)

Ordering Information & Dimensions

Part NO.	Dimensions(mm)	
	A	B
A3963WVD-F-2P-H	3.96	9.80
A3963WVD-F-3P-H	7.92	13.76
A3963WVD-F-4P-H	11.88	17.72
A3963WVD-F-5P-H	15.84	21.68
A3963WVD-F-6P-H	19.80	25.64
A3963WVD-F-7P-H	23.76	29.60
A3963WVD-F-8P-H	27.72	33.56
A3963WVD-F-9P-H	31.68	37.52
A3963WVD-F-10P-H	35.64	41.48
A3963WVD-F-11P-H	39.60	45.44
A3963WVD-F-12P-H	43.56	49.40
A3963WVD-F-13P-H	47.52	53.36
A3963WVD-F-14P-H	51.48	57.32
A3963WVD-F-15P-H	55.44	61.28



CHANGJIANG CONNECTORS CO.,LTD.

Unit	Scale	Sheet
mm	2:1	1 of 1
DRWN	CHK'D	APPR
Dengchun Yi	Diankui Wan	Jack Yin

TITLE
3.96mm PITCH
VERTICAL DIP HEADER

REV	DESCRIPTION	DATE
A2	MODIFY DRAWING	2021.08.14
A1	UPDATE THE SIZE	2017.04.20
A0	NEW RELEASE	2005.05.24

General Tolerances
 x.x±0.25
 x.xx±0.20
 x.xxx±0.15
 ANGLES ±1°



DRAWING NO.	REV
A3963WVD-F-XP-H	A2

X-ON Electronics

Largest Supplier of Electrical and Electronic Components

Click to view similar products for [Headers & Wire Housings](#) category:

Click to view products by [Changjiang](#) manufacturer:

Other Similar products are found below :

[0015917161](#) [0022155065](#) [57102-F02-18ULF](#) [58102-G61-06LF](#) [582553-1](#) [01.001.5753.1](#) [0050291907](#) [02.125.8002.8](#) [609-3404](#) [61062-3](#)
[CSU011177004](#) [622-0430](#) [622-3653LF](#) [63453-116](#) [636-1030](#) [636-1427](#) [636-3427](#) [636-4007](#) [641938-9](#) [65495-038](#) [65692-001LF](#) [65781-018](#)
[65781-047](#) [65817-010LF](#) [65817-015LF](#) [67095-007LF](#) [67601157](#) [68631-112](#) [68645-018](#) [699319-000](#) [70.362.1628.0](#) [70-4210](#) [70-4226B](#) [70-](#)
[4853B](#) [71.350.2428.0](#) [733-134](#) [733-162](#) [760-3052](#) [MHR-64-VUAL](#) [80.063.4001.1](#) [800-90-001-10-001000](#) [801-43-002-10-013000](#)
[801-43-006-10-002000](#) [803-43-024-10-001000](#) [803-93-012-10-001000](#) [8-1437020-4](#) [819-22-004-30-001101](#) [820-22-006-30-001101](#)
[820-22-008-30-001101](#) [821-22-002-10-001101](#)