



## TO-92 Plastic-Encapsulate Transistors

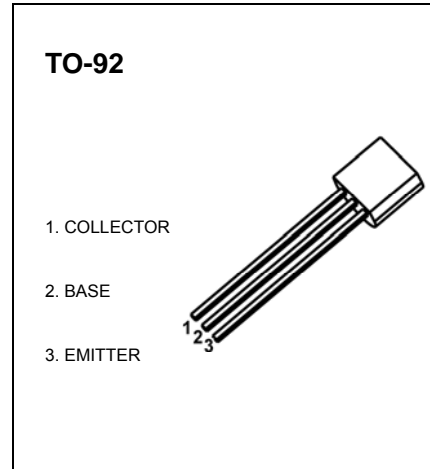
### BC546/BC547/BC548 TRANSISTOR (NPN)

#### FEATURES

- High Voltage
- Complement to BC556,BC557,BC558

#### MAXIMUM RATINGS (T<sub>a</sub>=25°C unless otherwise noted)

Symbol	Parameter	Value	Unit
V <sub>CBO</sub>	Collector-Base Voltage	BC546 80 BC547 50 BC548 30	V
	Collector-Emitter Voltage	BC546 65 BC547 45 BC548 30	V
	Emitter-Base Voltage	6	V
I <sub>C</sub>	Collector Current -Continuous	100	mA
P <sub>D</sub>	Total Device Dissipation	625	mW
T <sub>J</sub>	Junction Temperature	150	°C
T <sub>stg</sub>	Storage Temperature	-55-150	°C



#### ELECTRICAL CHARACTERISTICS (T<sub>a</sub>=25°C unless otherwise specified)

Parameter	Symbol	Test conditions	Min	Max	Unit
Collector-base breakdown voltage	BC546 BC547 BC548	V <sub>CBO</sub>	I <sub>C</sub> = 100μA , I <sub>E</sub> =0	80 50 30	V
Collector-emitter breakdown voltage	BC546 BC547 BC548	V <sub>CEO</sub>	I <sub>C</sub> = 1mA , I <sub>B</sub> =0	65 45 30	V
Emitter-base breakdown voltage	BC546 BC547 BC548	V <sub>EBO</sub>	I <sub>E</sub> = 10μA, I <sub>C</sub> =0	6	V
Collector cut-off current	BC546 BC547 BC548	I <sub>CBO</sub>	V <sub>CB</sub> = 70V, I <sub>E</sub> =0 V <sub>CB</sub> = 50 V, I <sub>E</sub> =0 V <sub>CB</sub> = 30V, I <sub>E</sub> =0	0.1	μA
Collector cut-off current	BC546 BC547 BC548	I <sub>CEO</sub>	V <sub>CE</sub> = 60 V, I <sub>B</sub> =0 V <sub>CE</sub> = 45 V, I <sub>B</sub> =0 V <sub>CE</sub> = 30 V, I <sub>B</sub> =0	0.1	μA
Emitter cut-off current	BC546 BC547 BC548	I <sub>EBO</sub>	V <sub>EB</sub> = 5V, I <sub>C</sub> =0	0.1	μA
DC current gain	BC546 BC547 BC548 BC546A/BC547A/BC548A BC546B/BC547B/BC548B BC546C/BC547C/BC548C	h <sub>FE</sub>	V <sub>CE</sub> =5V, I <sub>C</sub> = 2mA	110 110 110 110 200 420	800 800 800 220 450 800
Collector-emitter saturation voltage		V <sub>CE(sat)</sub>	I <sub>C</sub> =100mA, I <sub>B</sub> = 5mA	0.3	V
Base-emitter saturation voltage		V <sub>BE(sat)</sub>	I <sub>C</sub> = 100mA, I <sub>B</sub> =5mA	1.1	V
Transition frequency		f <sub>T</sub>	V <sub>CE</sub> = 5V, I <sub>C</sub> = 10mA f = 100MHz	150	MHz

## X-ON Electronics

Largest Supplier of Electrical and Electronic Components

*Click to view similar products for [Bipolar Transistors - BJT category](#):*

*Click to view products by [Changjiang manufacturer](#):*

Other Similar products are found below :

[619691C](#) [MCH4017-TL-H](#) [MMBT-2369-TR](#) [BC546/116](#) [BC557/116](#) [BSW67A](#) [NJVMJD148T4G](#) [NTE123AP-10](#) [NTE153MCP](#) [NTE16](#)  
[NTE195A](#) [NTE92](#) [2N4401-A](#) [2N6728](#) [2SA1419T-TD-H](#) [2SA2126-E](#) [2SB1204S-TL-E](#) [2SC2712S-GR,LF](#) [2SC4731T-AY](#) [FJPF5304DTU](#)  
[2N2907A](#) [2N3904-NS](#) [2N5769](#) [2SB1324-TD-E](#) [2SC2412KT146S](#) [2SC3332T](#) [2SC3902S](#) [2SC5231C8-TL-E](#) [2SD1685F](#) [CPH6501-TL-E](#)  
[MCH4021-TL-E](#) [MJE340](#) [Jantx2N5416](#) [US6T6TR](#) [NJL0281DG](#) [732314D](#) [CPH3121-TL-E](#) [CPH6021-TL-H](#) [873787E](#) [IMZ2AT108](#)  
[UMX21NTR](#) [MCH6102-TL-E](#) [NJL0302DG](#) [TTA1452B,S4X\(S](#) [2N3879](#) [NTE13](#) [NTE26](#) [NTE282](#) [NTE323](#) [NTE350](#)