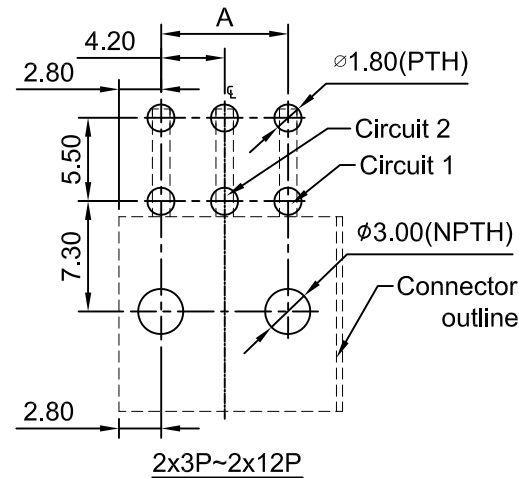


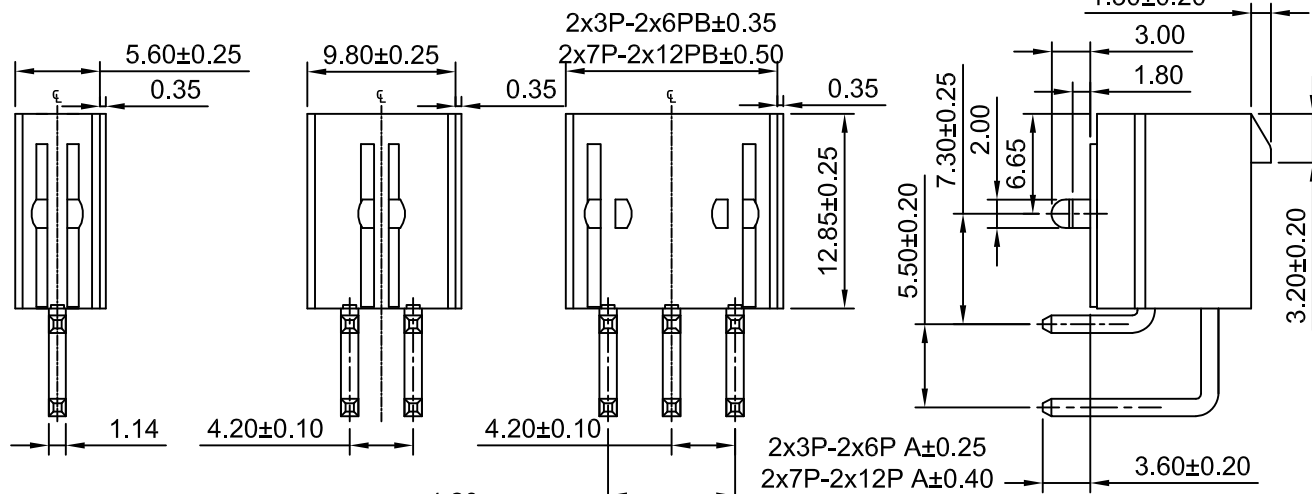
Ordering Information:

C4201WR-F-2xXP - *** - *** - ***

- 1.Part NO.
- 2.Material:
 (Blank): Nylon 66,UL94V-2(Nature)
 V0: Nylon 66,UL94V-0(White)
 GW1: Nylon 66,UL94V-0(Beige),IEC60335-1,5th Edition
 Glow Wire Capable.
 46: Nylon 46,UL94V-0(Beige)
 9T: Nylon 9T,UL94V-0(Beige)
 LCP: LCP,UL94V-0(Beige)
- 3.Color:
 (Blank): see section 2 Material
 BK: Black RD: Red YL: Yellow
 BL: Blue GN: Green
- 4.Finish:
 (Blank): Tin over Nickel
 G: Gold over Nickel(Au:1u")
 G3: Gold over Nickel(Au:3u")
 G15: Gold over Nickel(Au:15u")
 G30: Gold over Nickel(Au:30u")



P.C.B LAYOUT (TOP VIEW)
TOLERANCE:±0.05

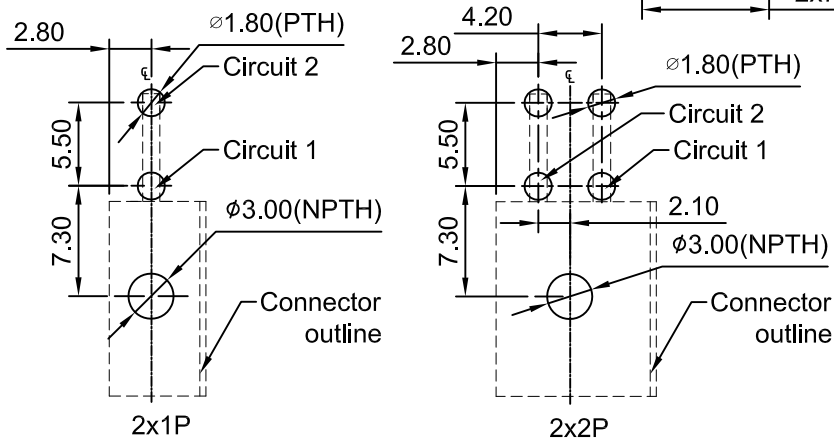


SPECIFICATIONS:

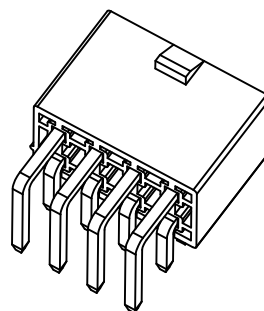
Current Rating: 9A AC,DC
 Voltage Rating: 600V AC,DC
 Temperature Range: -40°C ~ +105°C
 Contact Resistance: 10mΩ Max
 Insulation Resistance: 1000MΩ Min
 Withstanding Voltage: 1500V AC/minute
 Pin Material: Brass

Ordering Information & Dimensions

Circuits	Dimensions(mm)		Circuits	Dimensions(mm)	
	A	B		A	B
2X1P	—	5.60	2X7P	25.20	30.80
2X2P	4.20	9.80	2X8P	29.40	35.00
2X3P	8.40	14.00	2X9P	33.60	39.20
2X4P	12.60	18.20	2X10P	37.80	43.40
2X5P	16.80	22.40	2X11P	42.00	47.60
2X6P	21.00	26.60	2X12P	46.20	51.80



P.C.B LAYOUT (TOP VIEW)
TOLERANCE:±0.05



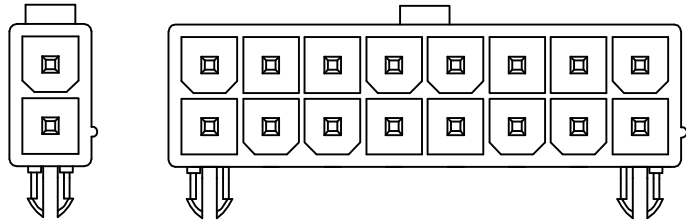
A3	CHANGE THE DRAWING	2022.03.08
A2	CHANGE THE DRAWING	2021.12.02
A1	CHANGE THE DRAWING	2021.07.28
A0	NEW RELEASE	2020.12.04
REV	DESCRIPTION	DATE

CJT CONN

CHANGJIANG CONNECTORS CO.,LTD.

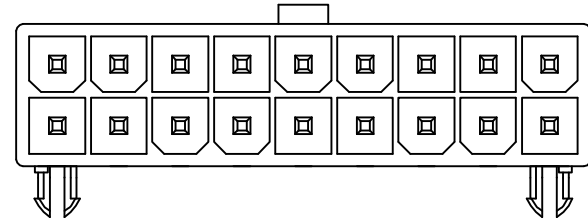
Unit	Scale	Sheet	TITLE	
mm	2:1	1 of 2	4.20mm PITCH	
DRWN	CHK'D	APPR	90° DUAL ROW WAFER WITH FOOT	
Wenmin Luo	Diankui Wan	Jack Yin	-SPECIAL TYPE	
General Tolerances			THIRD ANGLE PROJECTION	DRAWING NO.
x.xx±0.25 x.xxx±0.20 x.xxxx±0.15 ANGLES ±1°				C4201WR-F-2xXP
				REV A3

2X1P

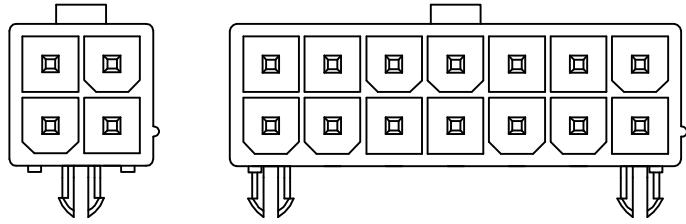


2X8P

2X9P

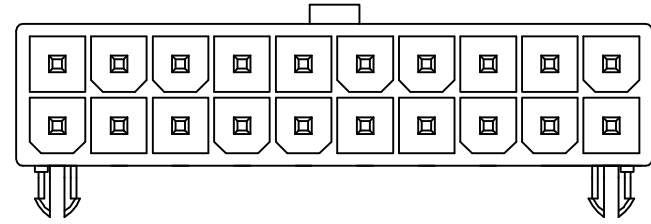


2X2P

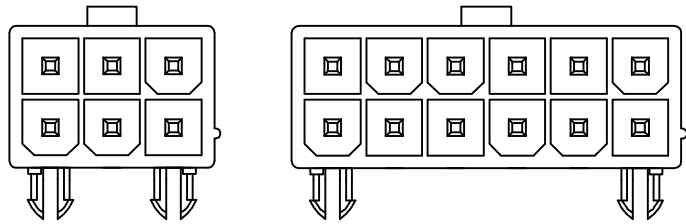


2X7P

2X10P

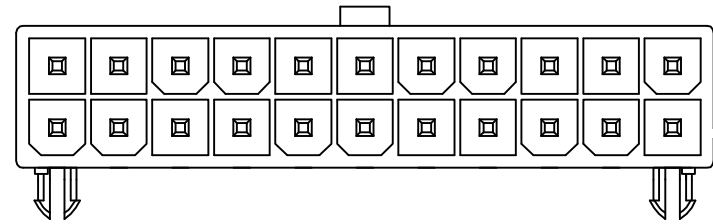


2X3P

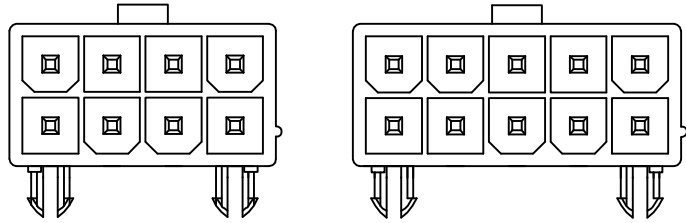


2X6P

2X11P

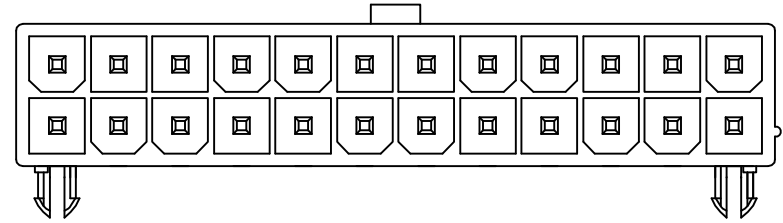


2X4P



2X5P

2X12P



CJTconn CHANGJIANG CONNECTORS CO.,LTD.

Unit	Scale	Sheet	TITLE
mm	2:1	2 of 2	
DRWN	CHK'D	APPR	90° DUAL ROW WAFER WITH FOOT -SPECIAL TYPE
WenMn Luo	Dlankul Wan	Jack Yin	
General Tolerances		THIRD ANGLE PROJECTION	DRAWING NO.
x.x±0.25 x.xx±0.20 x.xxx±0.15 ANGLES ±1°			
A3	CHANGE THE DRAWING	2022.03.08	C4201WR-F-2xXP
A2	CHANGE THE DRAWING	2021.12.02	
A1	CHANGE THE DRAWING	2021.07.28	REV
A0	NEW RELEASE	2020.12.04	
REV	DESCRIPTION	DATE	A3

X-ON Electronics

Largest Supplier of Electrical and Electronic Components

Click to view similar products for [Headers & Wire Housings](#) category:

Click to view products by [Changjiang](#) manufacturer:

Other Similar products are found below :

[57102-F02-18ULF](#) [58102-G61-06LF](#) [0009485154](#) [009176003701906](#) [0050291907](#) [00-9021-0611-00-339](#) [02.125.8002.8](#) [609-3404](#) [61062-3](#)
[622-0430](#) [622-3653LF](#) [63453-116](#) [636-1030](#) [636-1427](#) [636-3427](#) [636-4007](#) [641938-9](#) [644827-2](#) [65495-038](#) [65692-001LF](#) [65781-018](#)
[65781-047](#) [65817-010LF](#) [65817-015LF](#) [66207-023LF](#) [67016-026LF](#) [67095-007LF](#) [68631-112](#) [68645-018](#) [68648-049](#) [699319-000](#)
[70.362.1628.0](#) [70-4210](#) [70-4226B](#) [70-4853B](#) [707-5020](#) [707-5028](#) [71.350.2428.0](#) [71961-016LF](#) [733-134](#) [754199-000](#) [760-3052](#) [787-8014-00](#)
[FCN-367T-T012/H](#) [80.063.4001.1](#) [800-90-001-10-001000](#) [800-90-010-10-002000](#) [801-43-002-10-013000](#) [801-43-006-10-002000](#)
[803-41-018-10-001000](#)