

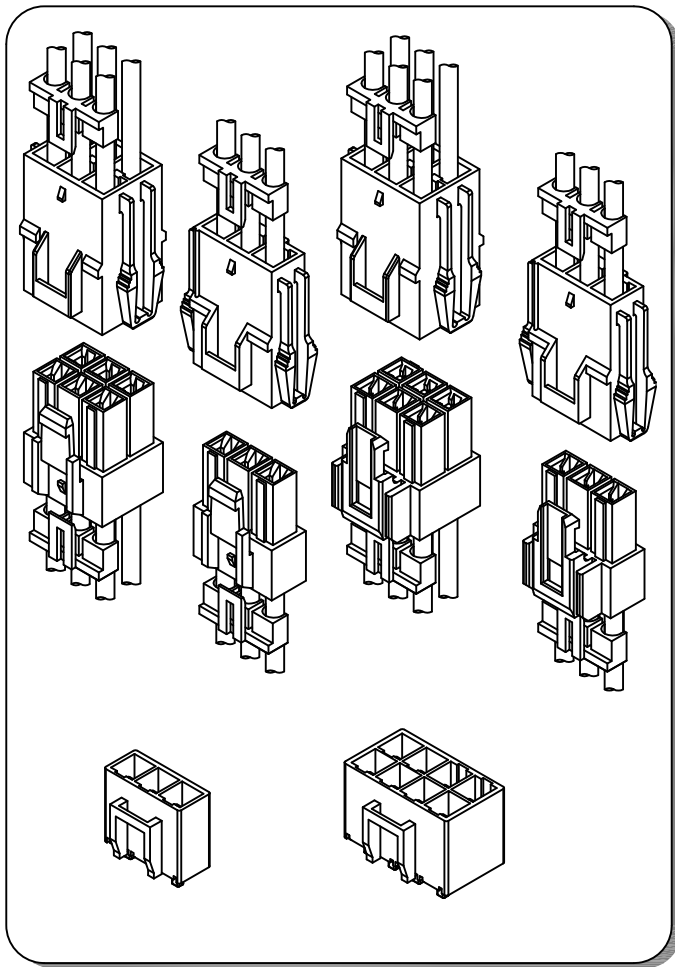


C6201 SERIES 6.20mm pitch wire to wire and wire to board connector

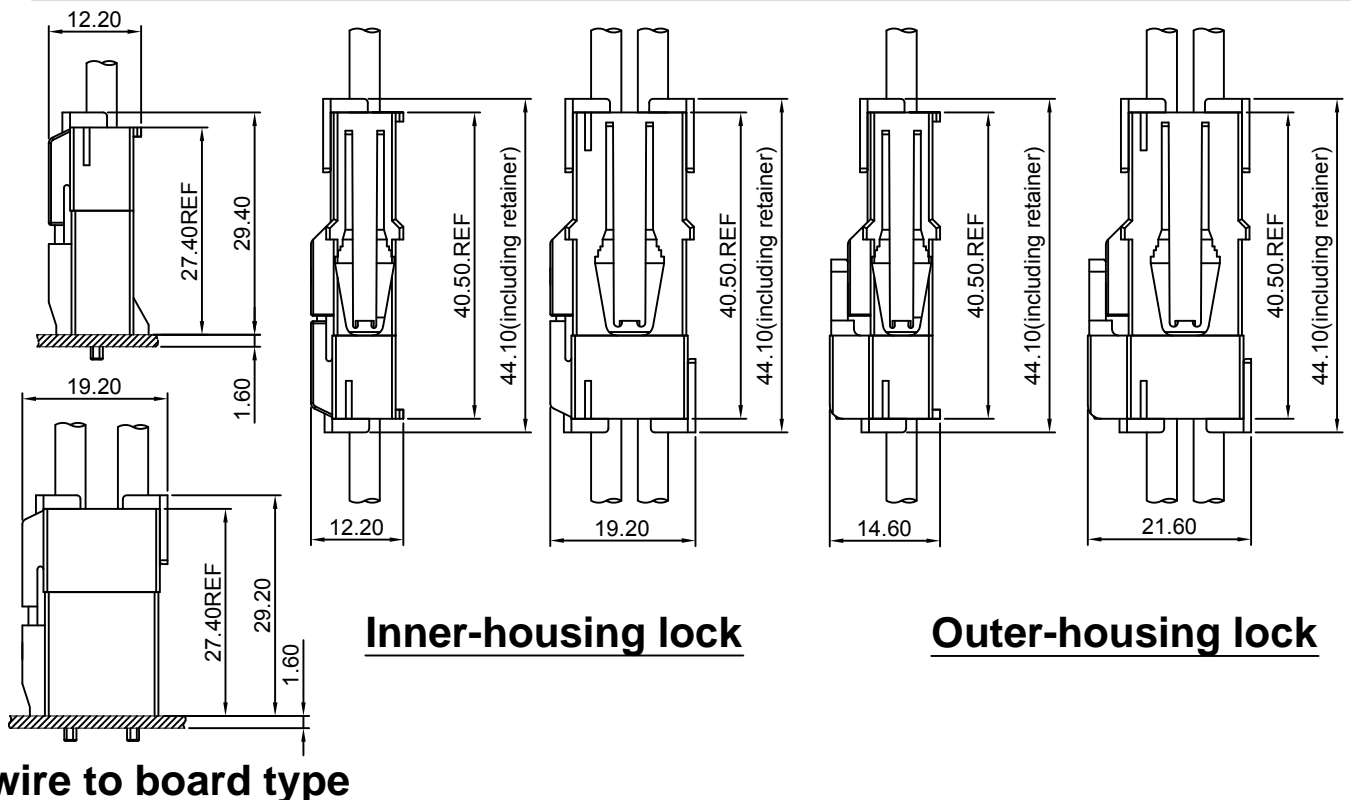
Specifications

- Current rating:23A AC,DC
- Voltage rating:600V AC,DC
- Temperature range:-40°C~+105°C
- Contact resistance:7mΩ Max.
- Insulation resistance:1000MΩ Min.
- Withstanding voltage:2000V AC/minute
- *Compliant with RoHS and REACH*
- *Meet the HF/Halogen Free,GWT/Glow wire Test (IEC60335-1) request,need to customize*
- *Contact CJT for details*

Standards

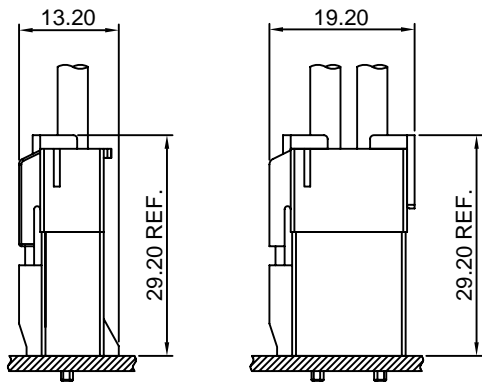


Assembly layout

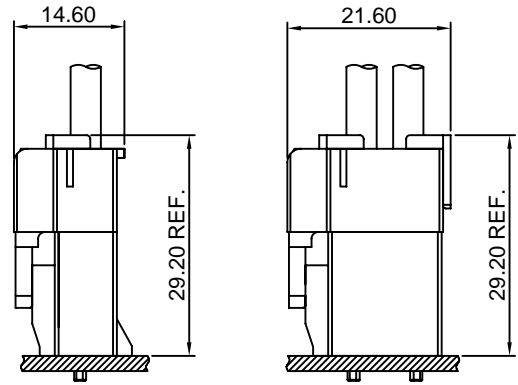




C6201 SERIES 6.20mm pitch wire to wire and wire to board connector

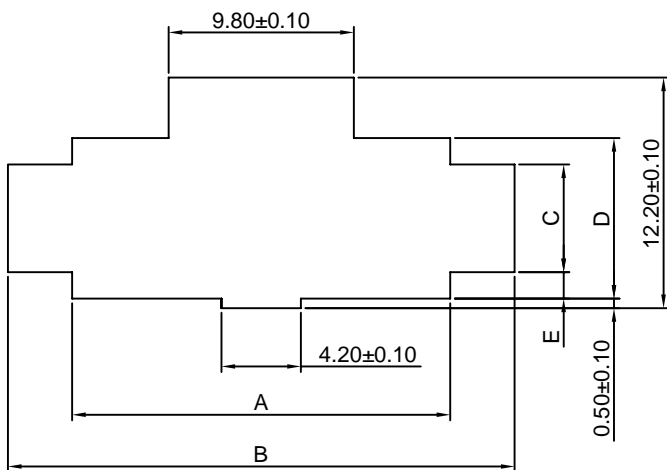


Inner-housing lock

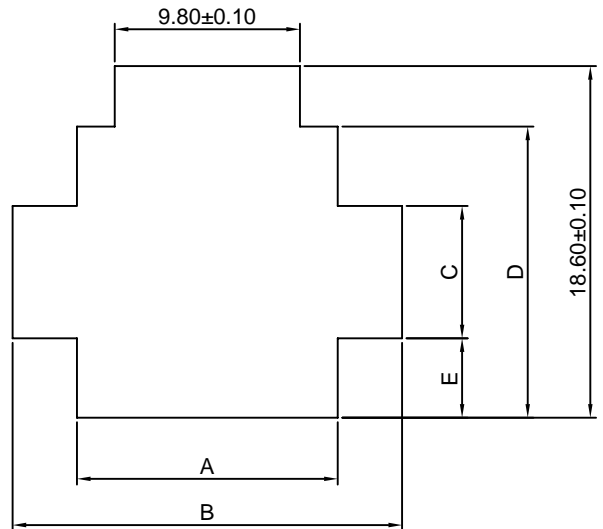


Outer-housing lock

Panel hole layout



Shape I



Shape II

PART NO.	Panel hole shape	Panel hole Dimensions					applicable panel thickness (mm)
		A	B	C	D	E	
C6201HM-2P	I	13.80	20.60	5.70	8.50	1.40	0.5-2.0
C6201HM-3P	I	20.00	26.80	5.70	8.50	1.40	
C6201HM-4P	I	26.20	33.00	5.70	8.50	1.40	
C6201HM-2X2P	II	13.80	20.60	7.00	15.40	4.20	
C6201HM-2X3P	II	20.00	26.80	7.00	15.40	4.20	
C6201HM-2X4P	II	26.20	33.00	7.00	15.40	4.20	
C6201HM-2X6P	II	38.90	45.40	7.00	15.40	4.20	

Note:1.Punch holes in the panel according to the sketch and table shown above.Burrs must be removed
 2.The strength of the panel must be considered when punching two or more holes.
 3.The connector must be inserted from the same side as the hole is punched



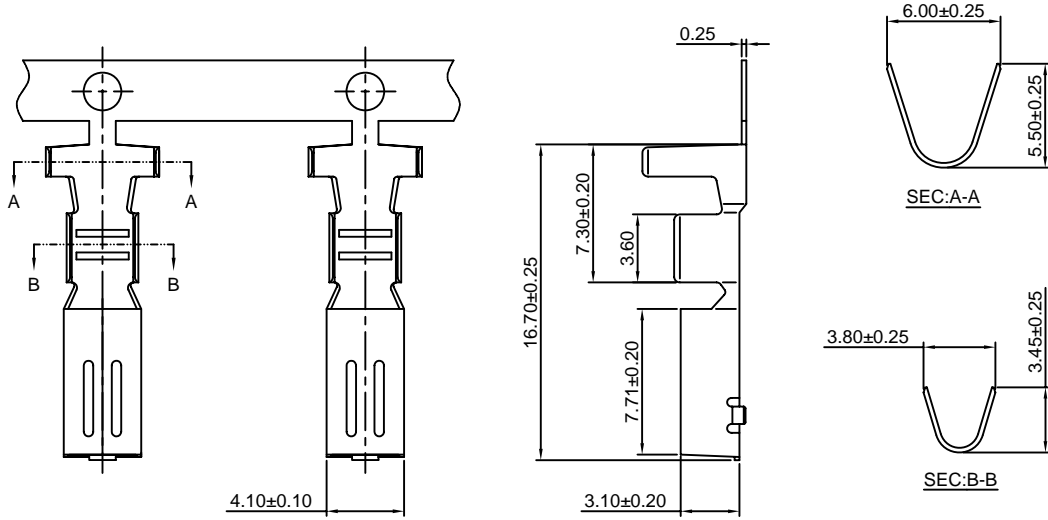
C6201 SERIES 6.20mm pitch wire to wire and wire to board connector

C6201F-T

6.20mm pitch Crimp Terminal

Reference Informations:

*Used in CJT C6201HF,HFA series Housing



Ordering information & Specifications:

Unit:mm

Part NO.	Wire Range	Insulation O.D.	Material	Finish	Qty/reel
C6201F-TP	AWG#14-#20	4.10mm(max)	Phosphor Bronze	Tin over Nickel	2,000 PCS
C6201F-GP	AWG#14-#20	4.10mm(max)	Phosphor Bronze	Gold over Nickel	2,000 PCS

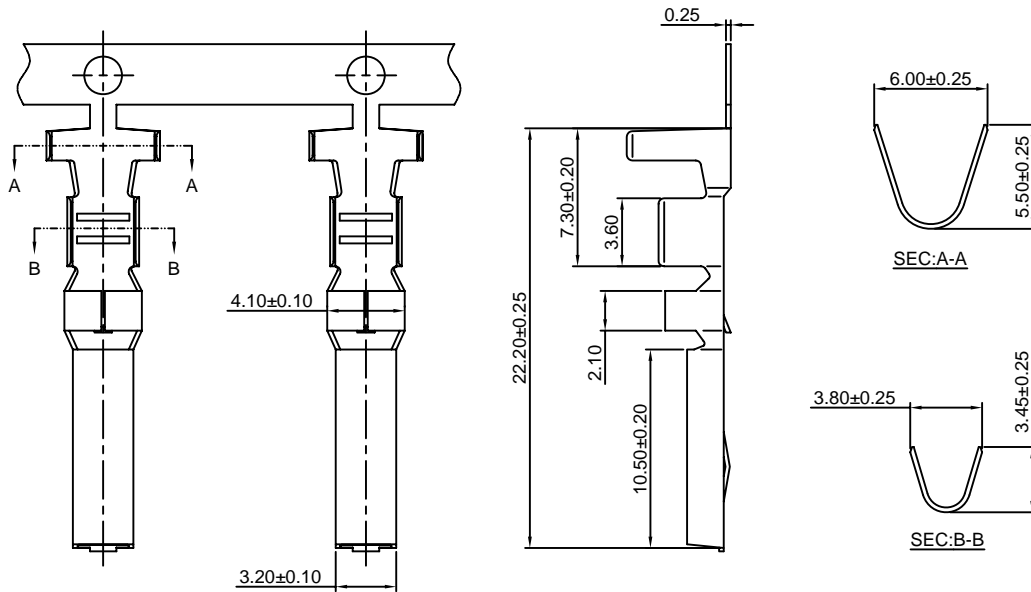
Optional Gold plating available but MOQ requested

C6201M-T

6.20mm pitch Crimp Terminal

Reference Informations:

*Used in CJT C6201HM,HMA series Housing



Ordering information & Specifications:

Unit:mm

Part NO.	Wire Range	Insulation O.D.	Material	Finish	Qty/reel
C6201M-TP	AWG#14-#20	4.10mm(max)	Phosphor Bronze	Tin over Nickel	2,000 PCS
C6201M-GP	AWG#14-#20	4.10mm(max)	Phosphor Bronze	Gold over Nickel	2,000 PCS

Optional Gold plating available but MOQ requested



C6201 SERIES 6.20mm pitch wire to wire and wire to board connector

C6201H

6.20mm Pitch Housing

Reference Informations:

- *Material:Housing:Nylon 66,UL94V-0
Retainer:Nylon 66,UL94V-0
- *C6201HM(Suitable Terminal: C6201M-T)
- *C6201HF(Suitable Terminal: C6201F-T)
- *Color:White

Ordering Information:
C6201HF/HFA-XP - ***
1 2

- 1.Part No.
2.Material:
(blank):Nylon 66,UL94V-0/White
V2:Nylon 66,UL94V-2/Natural
GWT:Nylon 66,UL94V-0,GWT 750°C

Ordering Information:
C6201HM/HMA-XP - ***
1 2

- 1.Part No.
2.Material:
(blank):Nylon 66,UL94V-0/White
V2:Nylon 66,UL94V-2/Natural
GWT:Nylon 66,UL94V-0,GWT 750°C

Ordering Information:
C6201S-XP - **
1 2

- 1.Part No.
2.Color:
(blank):Blue
IV:Ivory

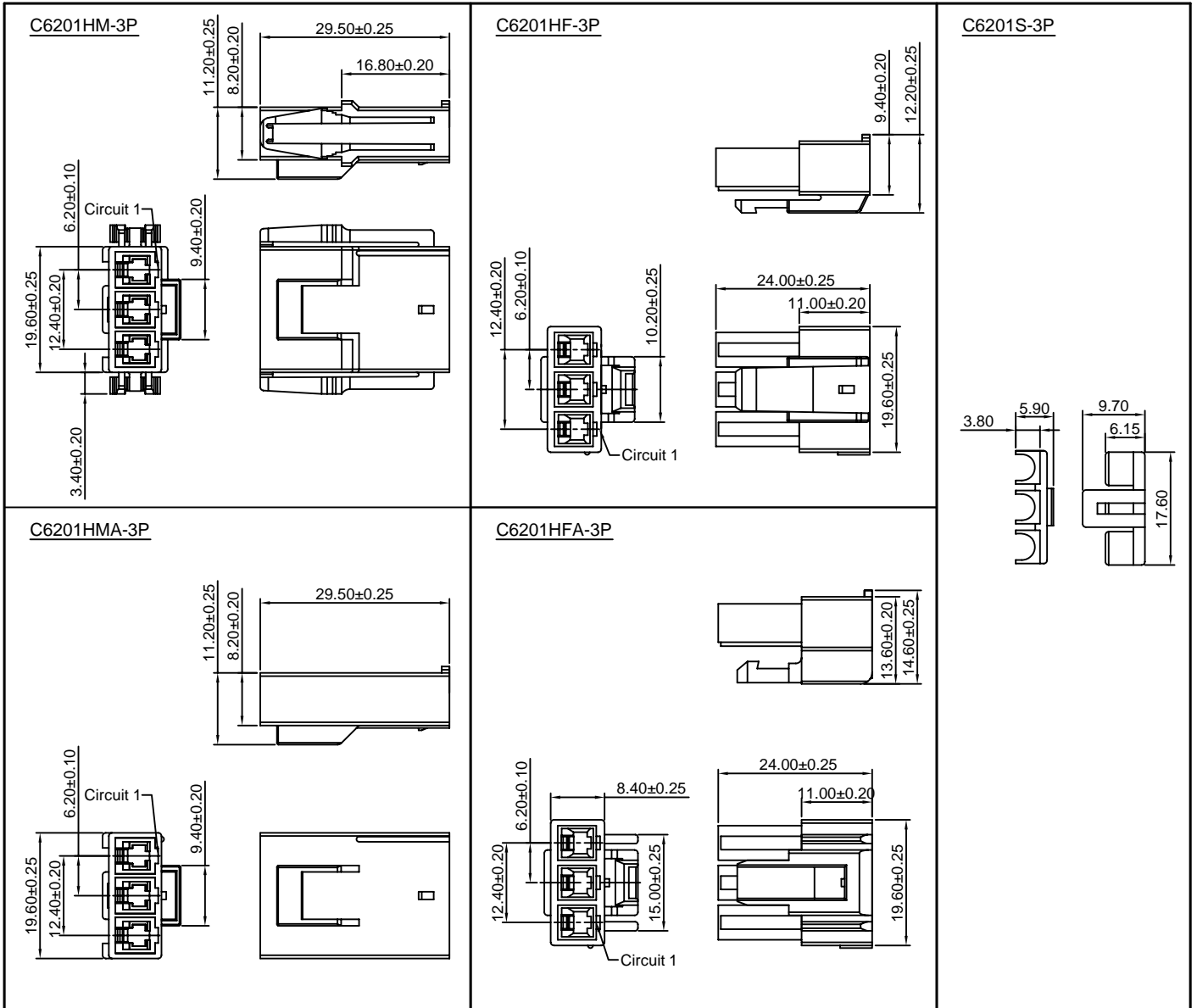
C6201HM<HMA>	C6201HF<HFA>	Retainer
<p><u>C6201HM-1P</u></p>	<p><u>C6201HF-1P</u></p>	<p><u>C6201S-1P</u></p>
<p><u>C6201HM-2P</u></p>	<p><u>C6201HF-2P</u></p>	<p><u>C6201S-2P</u></p>
<p><u>C6201HMA-2P</u></p>	<p><u>C6201HFA-2P</u></p>	



C6201 SERIES 6.20mm pitch wire to wire and wire to board connector

C6201H

6.20mm Pitch Housing

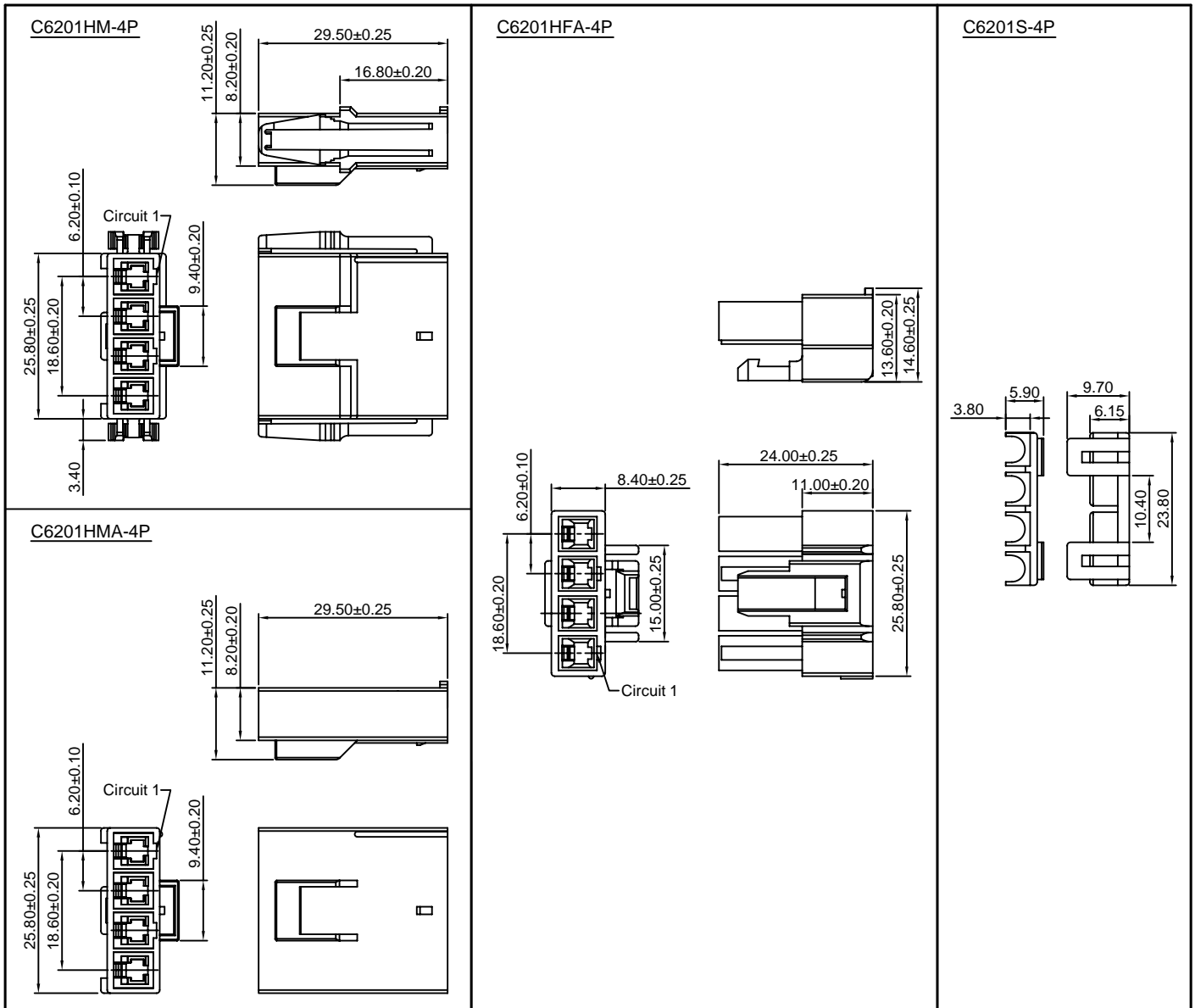




C6201 SERIES 6.20mm pitch wire to wire and wire to board connector

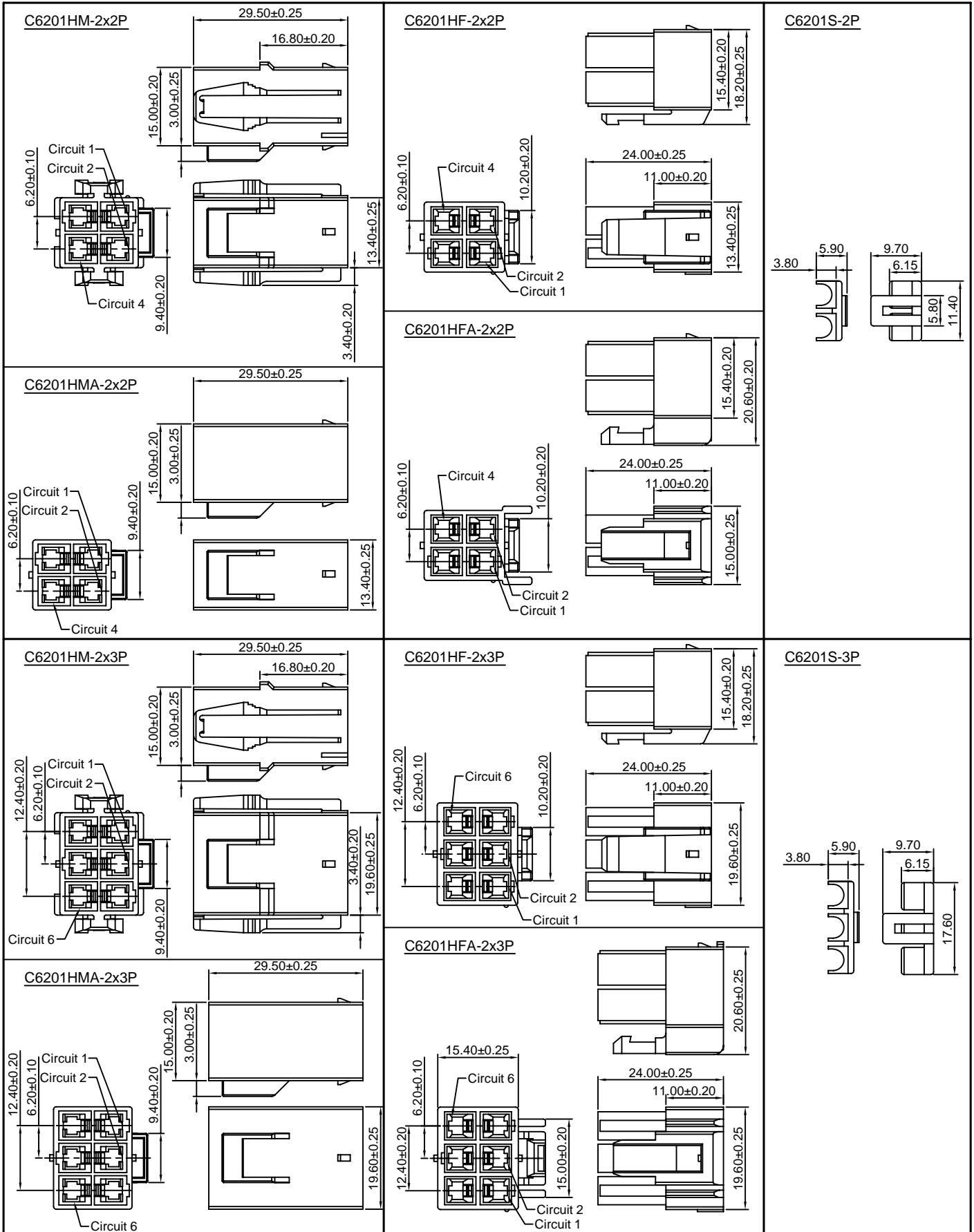
C6201H

6.20mm Pitch Housing



C6201H

6.20mm Pitch Housing

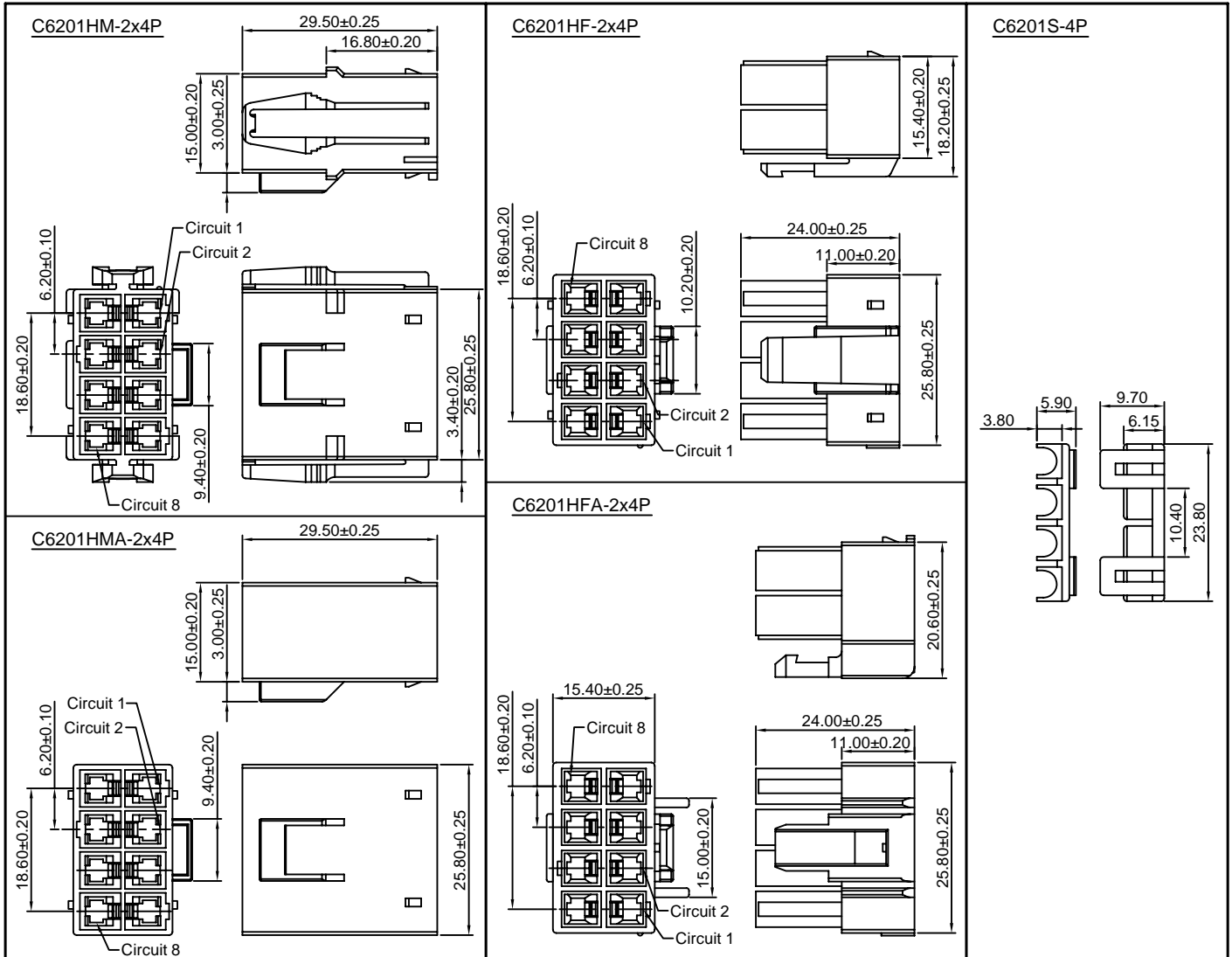




C6201 SERIES 6.20mm pitch wire to wire and wire to board connector

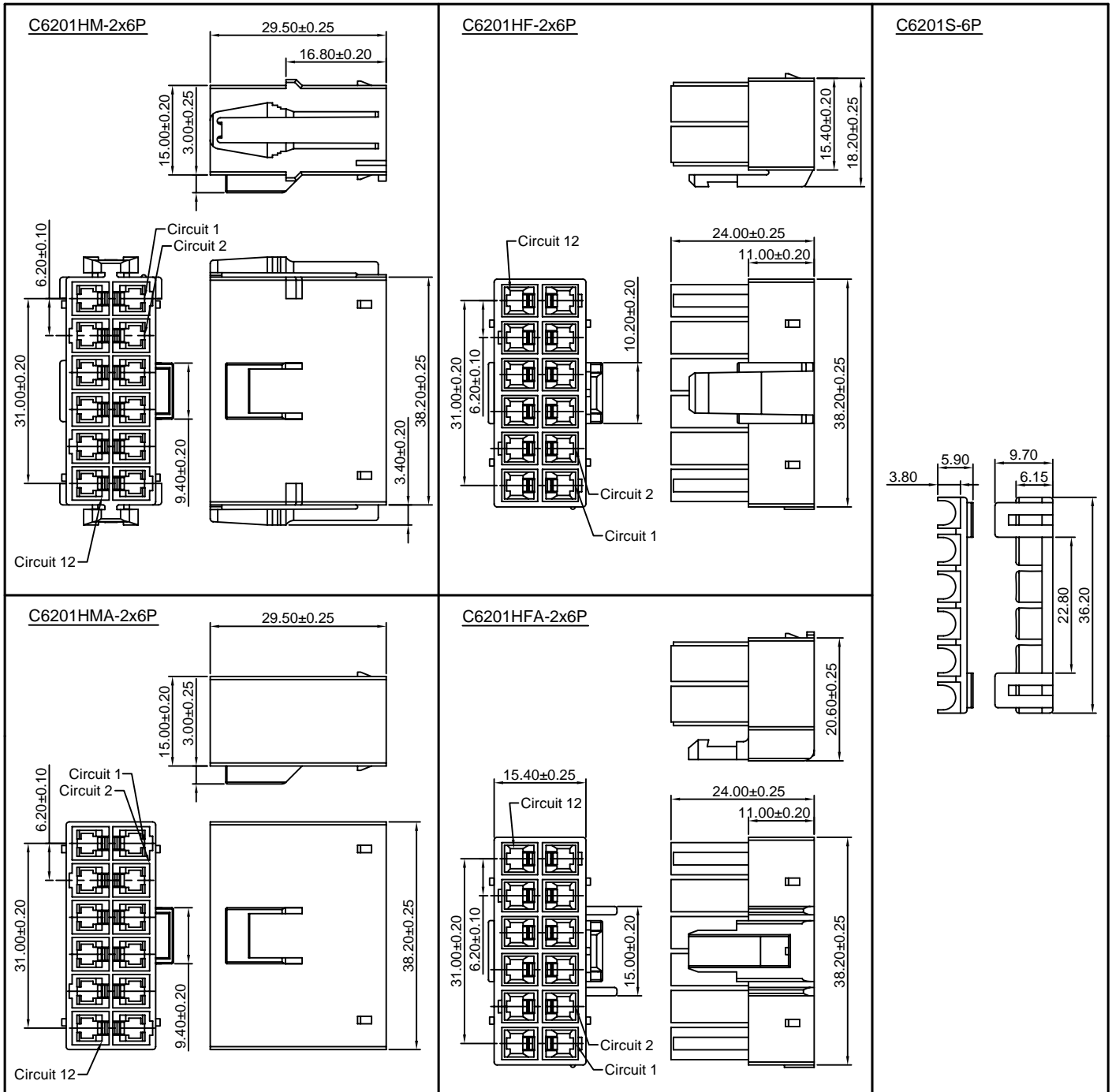
C6201H

6.20mm Pitch Housing



C6201H

6.20mm Pitch Housing





C6201 SERIES 6.20mm pitch wire to wire and wire to board connector

C6201WV-XP

6.20mm pitch 180° Single Row Wafer

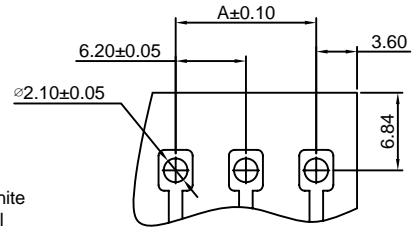
Reference Informations:

- *Material: Pin: Brass/Tin over Nickel
Insulator: Nylon 66, UL94V-0
- *Mates with CJT C6201HF, HFA-XP series Housing
- *Color: White

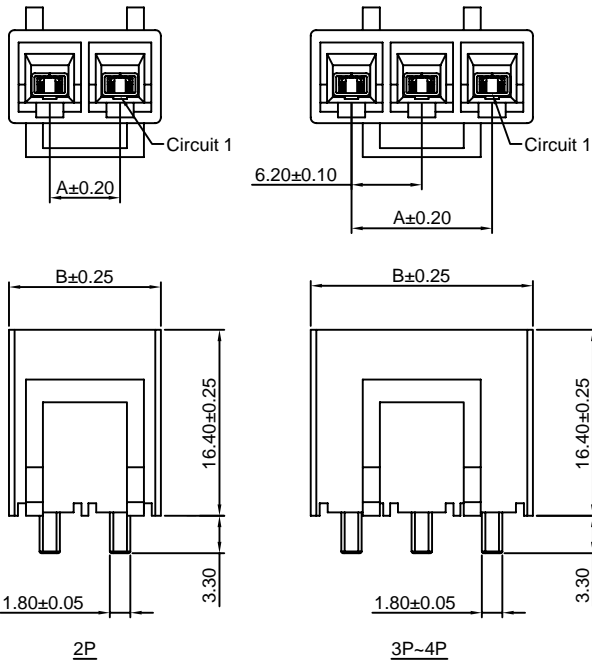
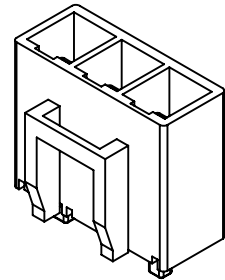
Ordering Information:

C6201WV-XP - *** - **
1 2 3

1. Part No.
2. Material:
(blank): Nylon 66, UL94V-0/White
V2: Nylon 66, UL94V-2/Natural
GWT: Nylon 66, UL94V-0, GWT 750°C
3. Finish:
(blank): Tin over Nickel
G: Gold over Nickel



P.C.B LAYOUT



Ordering Information & Dimensions:

PART NO.	Dimensions	
	A	B
2P	6.20	13.40
3P	12.40	19.60
4P	18.60	25.80

Unit: mm

C6201WV-2xXP

6.20mm pitch 180° Dual Row Wafer

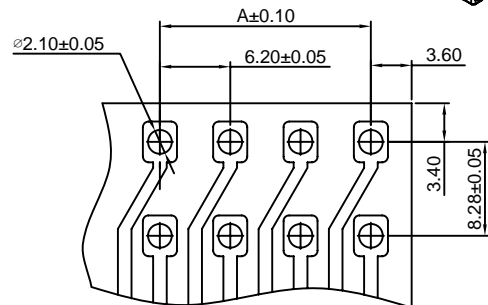
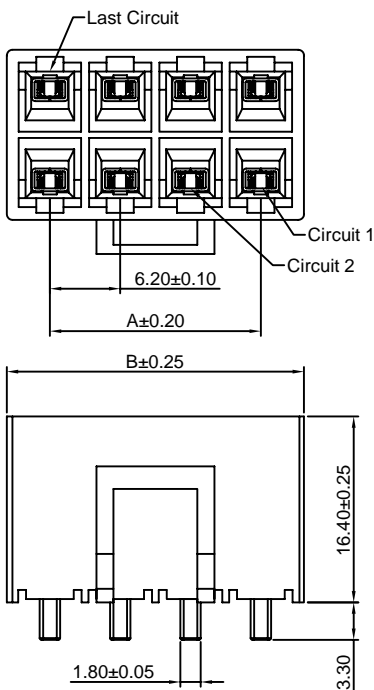
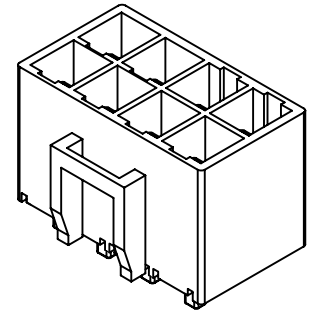
Reference Informations:

- *Material: Pin: Brass/Tin over Nickel
Insulator: Nylon 66, UL94V-0
- *Mates with CJT C6201HF, HFA-2xXP series Housing
- *Color: White

Ordering Information:

C6201WV-2xXP - *** - **
1 2 3

1. Part No.
2. Material:
(blank): Nylon 66, UL94V-0/White
V2: Nylon 66, UL94V-2/Natural
GWT: Nylon 66, UL94V-0, GWT 750°C
3. Finish:
(blank): Tin over Nickel
G: Gold over Nickel



P.C.B LAYOUT

Ordering Information & Dimensions:

PART NO.	Dimensions	
	A	B
2x2P	6.20	13.40
2x3P	12.40	19.60
2x4P	18.60	25.80
2x6P	31.00	38.20

Unit: mm



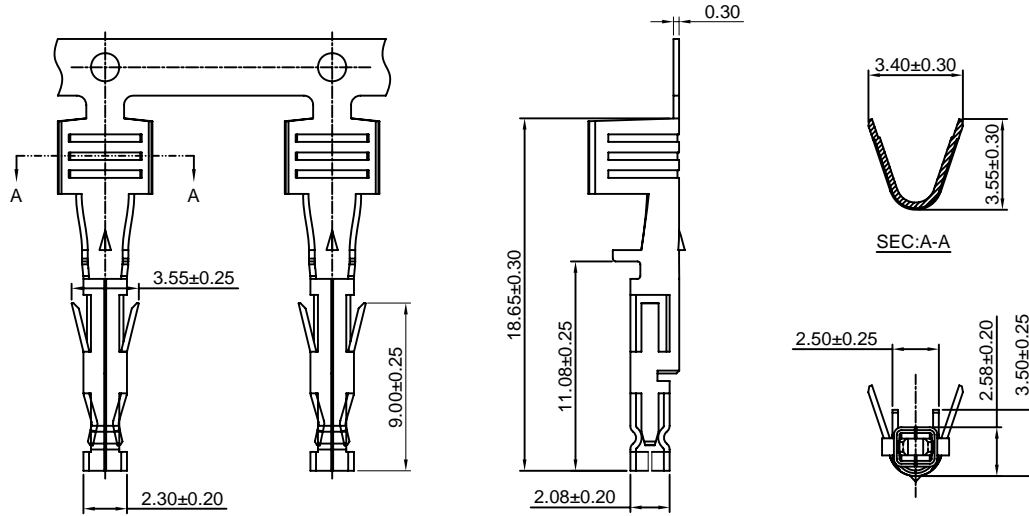
C6201 SERIES 6.20mm pitch wire to wire and wire to board connector

C6201F-TCA

5.70mm pitch Crimp Terminal

Reference Informations:

*Used in CJT C6201HFB-2xXP series Housing



Ordering information & Specifications:

Unit:mm

Part NO.	Wire Range	Insulation O.D.	Material	Finish	Qty/reel
C6201FB-TCA	AWG#14-#16	3.75mm(max)	Brass	Tin over Nickel	2,000 PCS
C6201FP-TCA	AWG#14-#16	3.75mm(max)	Phosphor Bronze	Tin over Nickel	2,000 PCS
C6201FB-GCA	AWG#14-#16	3.75mm(max)	Brass	Gold over Nickel	2,000 PCS
C6201FP-GCA	AWG#14-#16	3.75mm(max)	Phosphor Bronze	Gold over Nickel	2,000 PCS

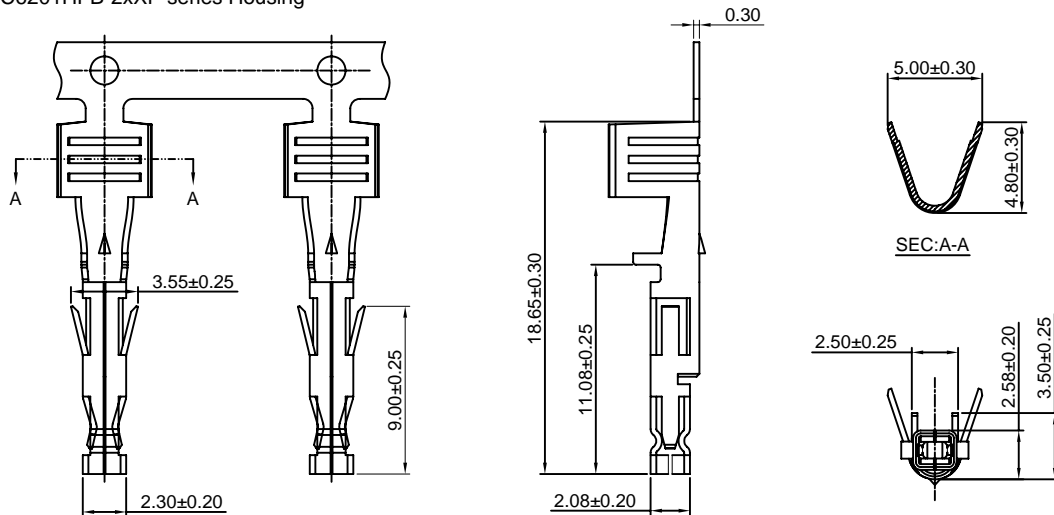
Optional Gold plating available but MOQ requested

C6201F-TCA-H

5.70mm pitch Crimp Terminal

Reference Informations:

*Used in CJT C6201HFB-2xXP series Housing



Ordering information & Specifications:

Unit:mm

Part NO.	Wire Range	Insulation O.D.	Material	Finish	Qty/reel
C6201FB-TCA-H	AWG#12	4.35mm(max)	Brass	Tin over Nickel	2,000 PCS
C6201FP-TCA-H	AWG#12	4.35mm(max)	Phosphor Bronze	Tin over Nickel	2,000 PCS
C6201FB-GCA-H	AWG#12	4.35mm(max)	Brass	Gold over Nickel	2,000 PCS
C6201FP-GCA-H	AWG#12	4.35mm(max)	Phosphor Bronze	Gold over Nickel	2,000 PCS

Optional Gold plating available but MOQ requested



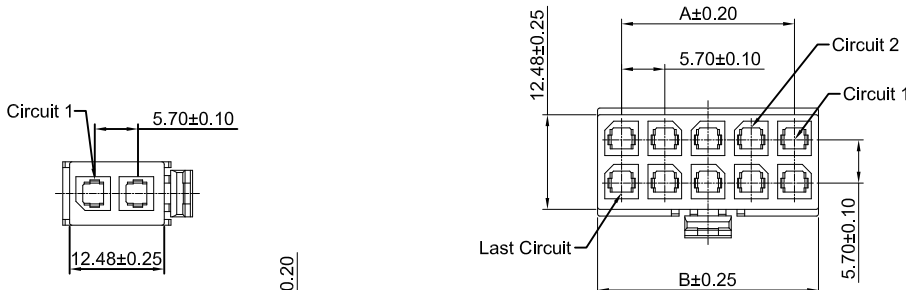
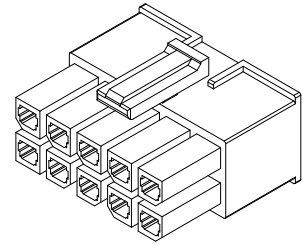
C6201 SERIES 6.20mm pitch wire to wire and wire to board connector

C6201HFB-2xXP

5.70mm pitch Dual Row Housing

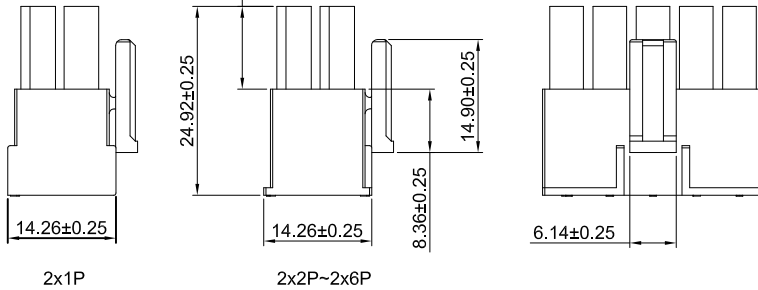
Reference Informations:

- *Material:Nylon 66,UL94V-0
- *Suitable CJT C6201F-TCA-(H) series Terminal
- *Mates with CJT C6201WVB-F,WRB-F-2xXP series Housing
- *Color:Black



Ordering Information:
C6201HFB-2xXP - ***
1 2

- 1.Part No.
- 2.Material:
(blank):Nylon 66,UL94V-0
GWT:Nylon 66,UL94V-0,GWT 750°C



Ordering Information & Dimensions:

PART NO.	Dimensions	
	A	B
2x1P	-----	8.35
2x2P	5.70	12.05
2x3P	11.40	17.75
2x4P	17.10	23.45
2x5P	22.80	29.15
2x6P	28.50	34.85

Unit: mm

C6201WVB-F-2xXP

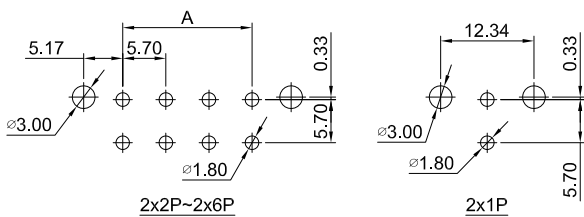
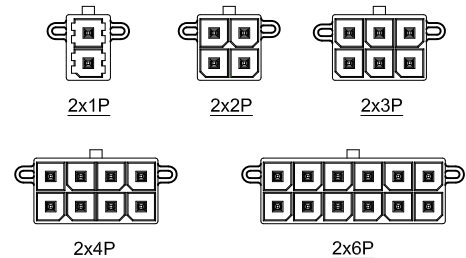
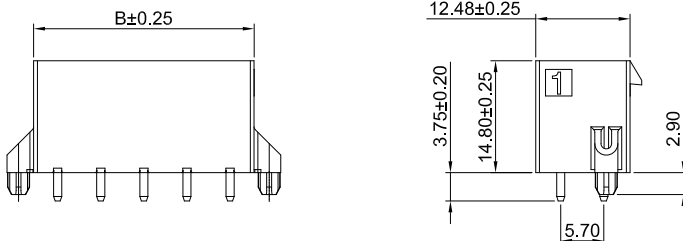
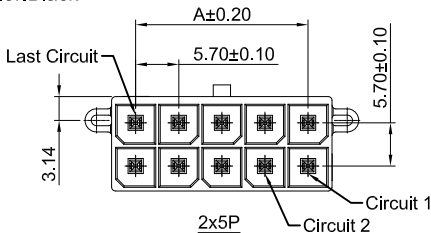
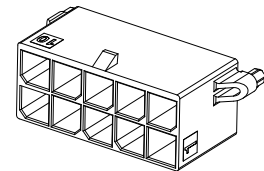
5.70mm pitch 180° Dual Row Wafer

Reference Informations:

- *Material:Pin:Brass/Tin over Nickel
Insulator:LCP,UL94V-0
- *Mates with CJT C6201HFB-2xXP series Housing
- *Color:Black

Ordering Information:
C6201WVB-F-2xXP - *** - **
1 2 3

- 1.Part No.
- 2.Material:
(blank):LCP,UL94V-0
GWT:LCP,UL94V-0,GWT 750°C
- 3.Finish:
(blank):Tin over Nickel
G:Gold over Nickel



P.C.B LAYOUT

Ordering Information & Dimensions:

PART NO.	Dimensions	
	A	B
2x1P	-----	8.35
2x2P	5.70	12.05
2x3P	11.40	17.75
2x4P	17.10	23.45
2x5P	22.80	29.15
2x6P	28.50	34.85

Unit: mm



C6201 SERIES 6.20mm pitch wire to wire and wire to board connector

C6201WRB-F-2xXP

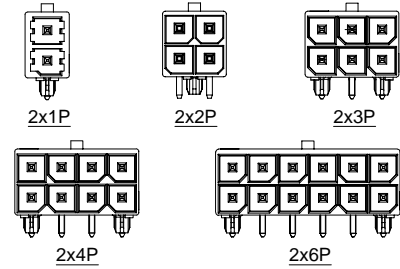
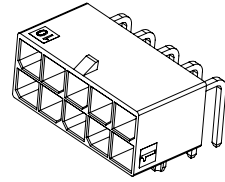
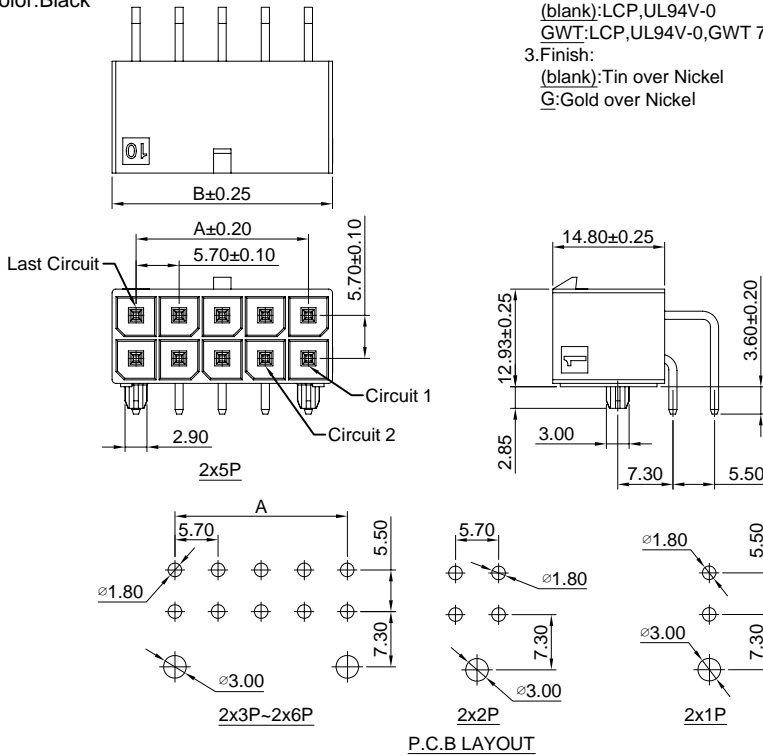
5.70mm pitch 90° Dual Row Wafer

Reference Informations:

- *Material:Pin:Brass/Tin over Nickel
Insulator:LCP,UL94V-0
- *Mates with CJT C6201HFB-2xXP series Housing
- *Color:Black

Ordering Information:

- C6201WRB-F-2xXP - *** - **
- | | | |
|---|---|---|
| 1 | 2 | 3 |
|---|---|---|
- Part No.
 - Material:
(blank):LCP,UL94V-0
GWT:LCP,UL94V-0,GWT 750°C
 - Finish:
(blank):Tin over Nickel
G:Gold over Nickel



Ordering Information & Dimensions:

PART NO.	Dimensions	
	A	B
2x1P	-----	8.35
2x2P	5.70	12.05
2x3P	11.40	17.75
2x4P	17.10	23.45
2x5P	22.80	29.15
2x6P	28.50	34.85

Unit: mm

C6201WVC-XP

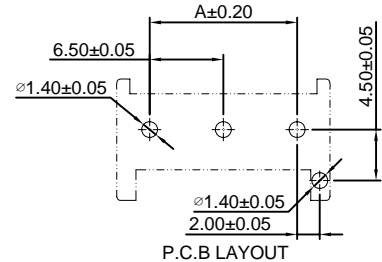
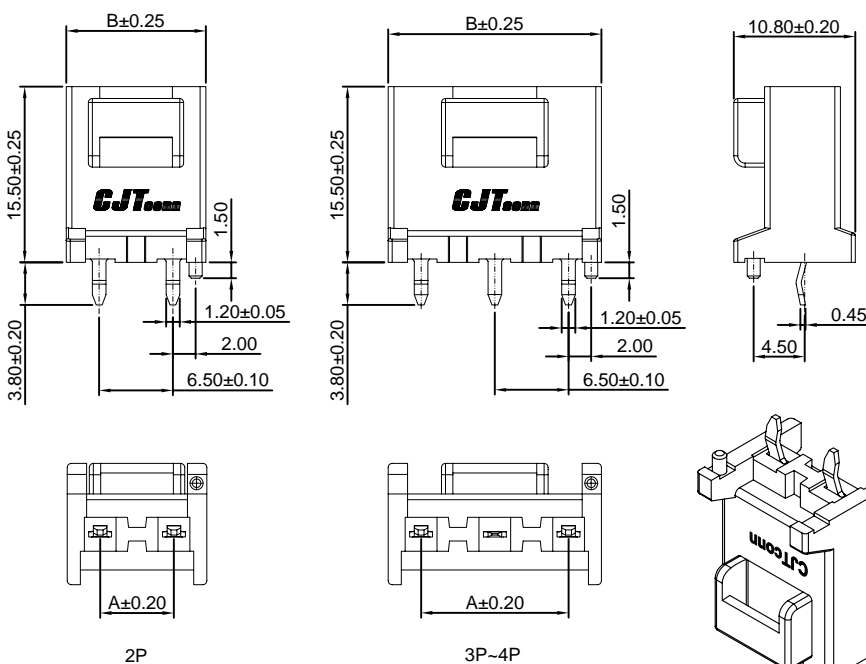
6.50mm pitch 180° Single Row Wafer

Reference Informations:

- *Material:Pin:Brass/Tin over Nickel
Insulator:Nylon 66+GF,UL94V-0
- *Color:Ivory

Ordering Information:

- C6201WVC-XP - *** - ** - **
- | | | | |
|---|---|---|---|
| 1 | 2 | 3 | 4 |
|---|---|---|---|
- Part No.
 - Material:
(blank):Nylon 66+GF,UL94V-0/Ivory
PBT:PBT+GF,UL94V-0/White
GWT:Nylon 66,UL94V-0,GWT 750°C/Ivory
 - Color:
(blank):Ivory
RD:Red
BK:Black
BL:Blue
YL:Yellow
GN:Green
 - Finish:
(blank):Tin over Nickel
G:Gold over Nickel



Ordering Information & Dimensions:

PART NO.	Dimensions	
	A	B
2P	6.50	12.30
3P	13.00	18.80
4P	19.50	25.30

Unit: mm



C6201 SERIES 6.20mm pitch wire to wire and wire to board connector

C6201WVC-2xXP

6.50mm pitch 180° Dual Row Wafer

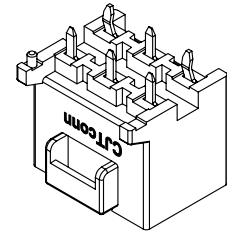
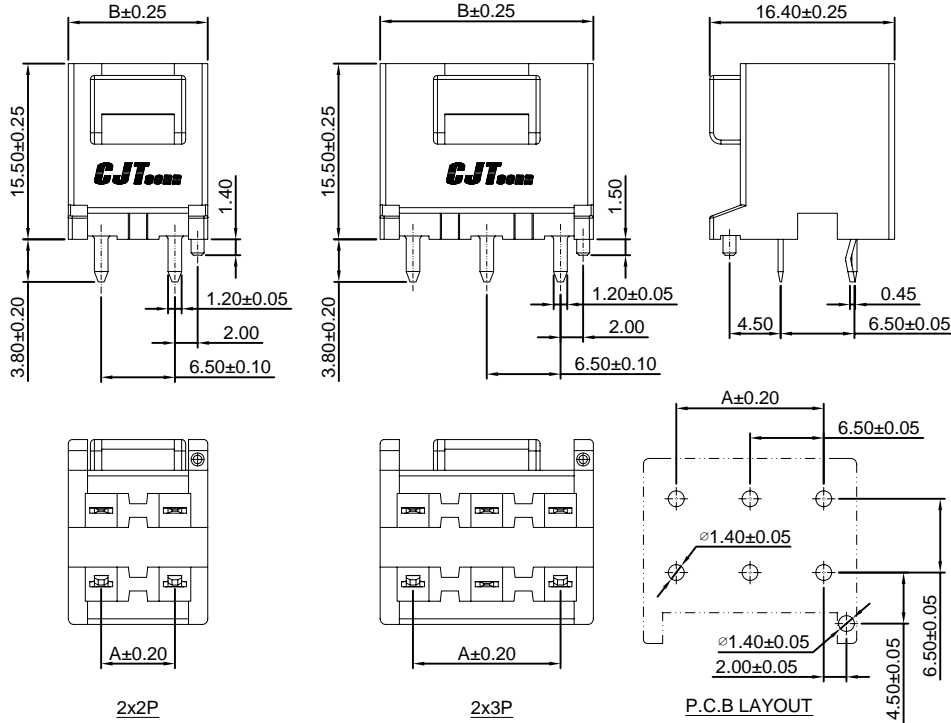
Reference Informations:

- *Material: Pin: Brass/Tin over Nickel
Insulator: Nylon 66+GF, UL94V-0
- *Color: Ivory

Ordering Information:

C6201WVC-2xXP - *** - ** - **
1 2 3 4

- Part No.
- Material:
(blank): Nylon 66+GF, UL94V-0/Ivory
PBT: PBT+GF, UL94V-0/White
GWT: Nylon 66, UL94V-0, GWT 750°C/Ivory
- Color:
(blank): Ivory
RD: Red
BK: Black
BL: Blue
YL: Yellow
GN: Green
- Finish:
(blank): Tin over Nickel
G: Gold over Nickel



Ordering Information & Dimensions:

PART NO.	Dimensions	
	A	B
2x2P	6.50	12.30
2x3P	13.00	18.80

Unit: mm

X-ON Electronics

Largest Supplier of Electrical and Electronic Components

Click to view similar products for [Headers & Wire Housings](#) category:

Click to view products by [Changjiang](#) manufacturer:

Other Similar products are found below :

[95000-104TRLF](#) [10135584-644402LF](#) [DF62W-EP2022PCA](#) [95000-106TRLF](#) [DF62W-2022SCA](#) [DF62W-EP2022PC](#) [2203348](#) [DF62W-2022SC](#) [1084018](#) [1029039](#) [1084017](#) [802-10-012-10-002000](#) [1112640](#) [1112639](#) [891-007-9SS-BST1T](#) [000-34000](#) [0008550134](#) [0009482033](#) [0009507031](#) [57102-F02-18ULF](#) [57102-S06-03LF](#) [57202-S52-04LF](#) [PCN6-15S-2.5E](#) [0039019024](#) [58102-G61-06LF](#) [582553-1](#) [0009485154](#) [0009508121](#) [0022285053](#) [0050291907](#) [018731A](#) [LY20-4P-DT1-P1E-BR](#) [02.125.8002.8](#) [60101931](#) [60598-1 \(Cut Strip\)](#) [M1625-3R/100](#) [61062-3](#) [61082-181009](#) [CSU011177004](#) [636-1427](#) [638009-1](#) [641938-9](#) [641991-4](#) [644168-1](#) [644827-2](#) [647662-1](#) [65039-019ELF](#) [65692-001LF](#) [65781-018](#) [65781-047](#)