



TO-92 Encapsulate Three-terminal Voltage Regulators

CJ78L12 Three-terminal positive voltage regulator

FEATURES

Maximum output current

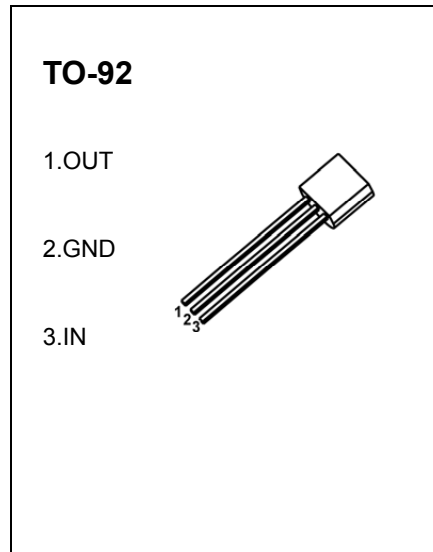
I_{OM} : 0.1A

Output voltage

V_o : 12V

Continuous total dissipation

P_D : 0.625W



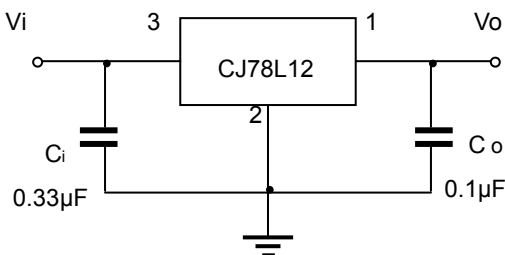
ABSOLUTE MAXIMUM RATINGS (Operating temperature range applies unless otherwise specified)

Parameter	Symbol	Value	Unit
Input Voltage	V_i	35	V
Operating Junction Temperature Range	T_{OPR}	0~+150	°C
Storage Temperature Range	T_{STG}	-55~+150	°C

ELECTRICAL CHARACTERISTICS AT SPECIFIED VIRTUAL JUNCTION TEMPERATURE ($V_i=19V, I_o=40mA, C_i=0.33\mu F, C_o=0.1\mu F$, unless otherwise specified)

Parameter	Symbol	Test conditions	Min	Typ	Max	Unit	
Output voltage	V_o	$25^\circ C$	11.5	12	12.5	V	
		0-125°C	$14V \leq V_i \leq 27V, I_o=1mA-40mA$	11.4	12	12.6	V
			$I_o=1mA-70mA$	11.4	12	12.6	V
Load Regulation	ΔV_o	$I_o=1mA-100mA$	$25^\circ C$		22	100	mV
		$I_o=1mA-40mA$	$25^\circ C$		13	50	mV
Line regulation	ΔV_o	$14.5V \leq V_i \leq 27V$	$25^\circ C$		55	250	mV
		$16V \leq V_i \leq 27V$	$25^\circ C$		49	200	mV
Quiescent Current	I_q		$25^\circ C$		4.3	6.5	mA
Quiescent Current Change	ΔI_q	$16V \leq V_i \leq 27V$	0-125°C			1.5	mA
	ΔI_q	$1mA \leq I_o \leq 40mA$	0-125°C			0.1	mA
Output Noise Voltage	V_N	$10Hz \leq f \leq 100KHz$	$25^\circ C$		70		uV
Ripple Rejection	RR	$15V \leq V_i \leq 25V, f=120Hz$	0-125°C	37	42		dB
Dropout Voltage	V_d		$25^\circ C$		1.7		V

TYPICAL APPLICATION



Note : Bypass capacitors are recommended for optimum stability and transient response and should be located as close as possible to the regulators.

X-ON Electronics

Largest Supplier of Electrical and Electronic Components

Click to view similar products for [Linear Voltage Regulators](#) category:

Click to view products by [Changjiang](#) manufacturer:

Other Similar products are found below :

[LV56831P-E](#) [LV5684PVD-XH](#) [MCDTSA6-2R](#) [L7815ACV-DG](#) [PQ3DZ53U](#) [LV56801P-E](#) [TLE42794G](#) [L78L05CZ/1SX](#) [L78LR05DL-MA-E](#) [636416C](#) [714954EB](#) [BA033LBSG2-TR](#) [LV5680P-E](#) [L78M15CV-DG](#) [TLS202B1MBV33HTSA1](#) [L79M05T-E](#) [TLS202A1MBVHTSA1](#) [L78LR05D-MA-E](#) [NCV317MBTG](#) [NTE7227](#) [LV5680NPVC-XH](#) [LT1054CN8](#) [MP2018GZD-5-Z](#) [MP2018GZD-33-Z](#) [MIC5281-3.3YMM](#) [RT9078-28GQZ](#) [MC78L06BP-AP](#) [TA48LS05F\(TE85L,F\)](#) [TC47BR5003ECT](#) [TCR2LN12,LF\(S](#) [TCR2LN28,LF\(S](#) [TCR2LN30,LF\(S](#) [TCR3DF295,LM\(CT](#) [TCR3DF40,LM\(CT](#) [BA178M20CP-E2](#) [L78M12ABDT](#) [LR645N3-G-P003](#) [LR645N3-G-P013](#) [ZXTR2005P5-13](#) [SCD7812BTG](#) [TCR3DF335,LM\(CT](#) [TLE42994E V33](#) [ZXTR2008K-13](#) [ZXTR2005K-13](#) [L88R05DL-E](#) [ADP3300ARTZ-2.7RL7](#) [LM120K-15/883](#) [IFX54441LDVXUMA1](#) [LM317D2T-TR](#) [LM350T/NOPB](#)