

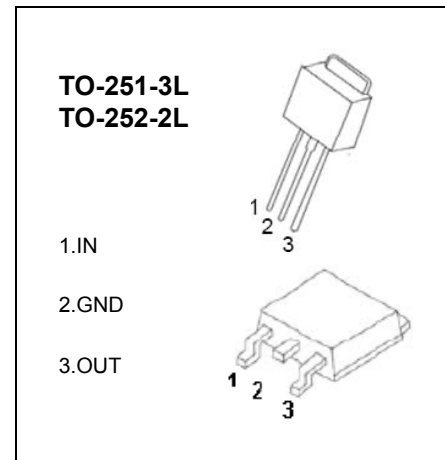


TO-251-3L/TO-252-2L Plastic-Encapsulate Regulators

CJ78M12 Three-terminal positive voltage regulator

FEATURES

- Maximum Output current I_{OM} : 0.5 A
- Output voltage V_O : 12V
- Continuous total dissipation
 - P_D : 1.25 W ($T_a = 25^\circ\text{C}$)
 - 15 W ($T_c = 25^\circ\text{C}$)



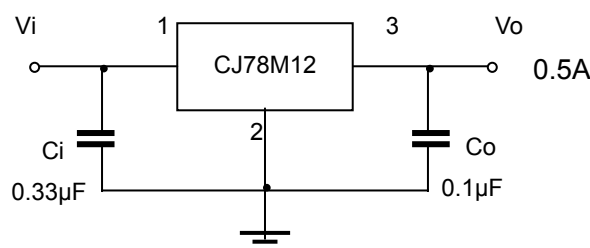
ABSOLUTE MAXIMUM RATINGS (Operating temperature range applies unless otherwise specified)

Parameter	Symbol	Value	Unit
Input Voltage	V_i	35	V
Operating Junction Temperature Range	T_{OPR}	0-+125	$^\circ\text{C}$
Storage Temperature Range	T_{STG}	-65-+150	$^\circ\text{C}$

ELECTRICAL CHARACTERISTICS ($V_i=19\text{V}, I_o=350\text{mA}, C_i=0.33\mu\text{F}, C_o=0.1\mu\text{F}$, unless otherwise specified)

Parameter	Symbol	Test conditions	Min	Typ	Max	Unit	
Output Voltage	V_o		25 $^\circ\text{C}$	11.5	12	12.5	V
		$14.5 \leq V_i \leq 27\text{V}, I_o=5\text{mA}-350\text{mA}$ $P_o \leq 1.25\text{W}$	0-125 $^\circ\text{C}$	11.4	12	12.6	V
Load Regulation	ΔV_o	$I_o=5\text{mA}-500\text{mA}$	25 $^\circ\text{C}$		25	240	mV
		$I_o=5\text{mA}-200\text{mA}$	25 $^\circ\text{C}$		10	120	mV
Line Regulation	ΔV_o	$14.5\text{V} \leq V_i \leq 30\text{V}, I_o=200\text{mA}$	25 $^\circ\text{C}$		10	100	mV
		$16\text{V} \leq V_i \leq 30\text{V}, I_o=200\text{mA}$	25 $^\circ\text{C}$		3	50	mV
Quiescent Current	I_q		25 $^\circ\text{C}$		4.6	6	mA
Quiescent Current Change	ΔI_q	$14.5\text{V} \leq V_i \leq 30\text{V}, I_o=200\text{mA}$	0-125 $^\circ\text{C}$			0.8	mA
	ΔI_q	$5\text{mA} \leq I_o \leq 350\text{mA}$	0-125 $^\circ\text{C}$			0.5	mA
Output Noise Voltage	V_N	$10\text{Hz} \leq f \leq 100\text{KHz}$	25 $^\circ\text{C}$		75		μV
Ripple Rejection	RR	$15 \leq V_i \leq 25\text{V}, f=120\text{Hz}, I_o=300\text{mA}$	0-125 $^\circ\text{C}$	55	80		dB
Dropout Voltage	V_d	$I_o=350\text{mA}$	25 $^\circ\text{C}$		2		V
Short Circuit Current	I_{sc}	$V_i=19\text{V}$	25 $^\circ\text{C}$		240		mA
Peak Current	I_{pk}		25 $^\circ\text{C}$		0.7		A

TYPICAL APPLICATION



X-ON Electronics

Largest Supplier of Electrical and Electronic Components

Click to view similar products for [Linear Voltage Regulators](#) category:

Click to view products by [Changjiang](#) manufacturer:

Other Similar products are found below :

[LV56831P-E](#) [LV5684PVD-XH](#) [MCDTSA6-2R](#) [L7815ACV-DG](#) [PQ3DZ53U](#) [LV56801P-E](#) [TLE42794G](#) [L78L05CZ/1SX](#) [L78LR05DL-MA-E](#) [636416C](#) [714954EB](#) [BA033LBSG2-TR](#) [LV5680P-E](#) [L78M15CV-DG](#) [TLS202B1MBV33HTSA1](#) [L79M05T-E](#) [TLS202A1MBVHTSA1](#) [L78LR05D-MA-E](#) [NCV317MBTG](#) [NTE7227](#) [LV5680NPVC-XH](#) [LT1054CN8](#) [MP2018GZD-5-Z](#) [MP2018GZD-33-Z](#) [MIC5281-3.3YMM](#) [RT9078-28GQZ](#) [MC78L06BP-AP](#) [TA48LS05F\(TE85L,F\)](#) [TC47BR5003ECT](#) [TCR2LN12,LF\(S](#) [TCR2LN28,LF\(S](#) [TCR2LN30,LF\(S](#) [TCR3DF295,LM\(CT](#) [TCR3DF40,LM\(CT](#) [BA178M20CP-E2](#) [L78M05TL-TL-E](#) [L78M12ABDT](#) [LR645N3-G-P003](#) [LR645N3-G-P013](#) [ZXTR2005P5-13](#) [SCD7812BTG](#) [TCR3DF335,LM\(CT](#) [TLE42994E V33](#) [ZXTR2008K-13](#) [ZXTR2005K-13](#) [L88R05DL-E](#) [ADP3300ARTZ-2.7RL7](#) [LM120K-15/883](#) [IFX54441LDVXUMA1](#) [LM317D2T-TR](#)