

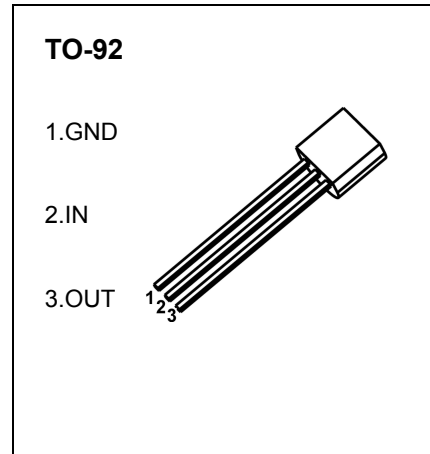


TO-92 Encapsulate Three-terminal voltage regulators

CJ79L09 Three-terminal negative voltage regulator

FEATURES

- Maximum output current
 $I_{OM}: 0.1\text{ A}$
- Output voltage
 $V_O: -9\text{ V}$
- Continuous total dissipation
 $P_D: 0.625\text{ W}$



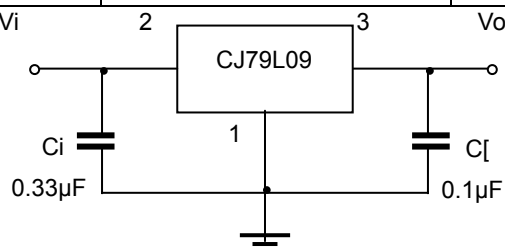
ABSOLUTE MAXIMUM RATINGS (Operating temperature range applies unless otherwise specified)

Parameter	Symbol	Value	Unit
Input Voltage	V_I	-30	V
Operating Junction Temperature Range	T_{OPR}	0—+150	°C
Storage Temperature Range	T_{STG}	-55—+150	°C

ELECTRICAL CHARACTERISTICS AT SPECIFIED VIRTUAL JUNCTION TEMPERATURE ($V_i=-16\text{V}, I_o=40\text{mA}, C_i=0.33\mu\text{F}, C_o=0.1\mu\text{F}$, unless otherwise specified)

Parameter	Symbol	Test conditions	Min	Typ	Max	Unit	
Output Voltage	V_o	25°C	-8.64	-9.0	-9.36	V	
		0-125°C	$-12\text{V} \leq V_i \leq -24\text{V}, I_o=1\text{mA}-40\text{mA}$	-8.55	-9.0	-9.45	V
			$I_o=1\text{mA}-70\text{mA}$	-8.55	-9.0	-9.45	V
Load Regulation	ΔV_o	$I_o=1\text{mA}-100\text{mA}$	25°C	19	90	mV	
		$I_o=1\text{mA}-40\text{mA}$	25°C	11	40	mV	
Line Regulation	ΔV_o	$-12\text{V} \leq V_i \leq -24\text{V}$	25°C	45	175	mV	
		$-13\text{V} \leq V_i \leq -24\text{V}$	25°C	40	125	mV	
Quiescent Current	I_q	25°C		4.1	6.0	mA	
Quiescent Current Change	ΔI_q	$-13\text{V} \leq V_i \leq -24\text{V}$	0-125°C		1.5	mA	
	ΔI_q	$1\text{mA} \leq V_i \leq 40\text{mA}$	0-125°C		0.1	mA	
Output Noise Voltage	V_N	10Hz≤f≤100KHz	25°C	58		V	
Ripple Rejection	RR	$-15\text{V} \leq V_i \leq -24\text{V}, f=120\text{Hz}$	0-125°C	45		dB	
Dropout Voltage	V_d	25°C		1.7		V	

TYPICAL APPLICATION



Note: Bypass capacitors are recommended for optimum stability and transient response and should be located as close as possible to the regulators

X-ON Electronics

Largest Supplier of Electrical and Electronic Components

Click to view similar products for [Linear Voltage Regulators](#) category:

Click to view products by [Changjiang](#) manufacturer:

Other Similar products are found below :

[LV56831P-E](#) [LV5684PVD-XH](#) [MCDTSA6-2R](#) [L7815ACV-DG](#) [PQ3DZ53U](#) [LV56801P-E](#) [TLE42794G](#) [L78L05CZ/1SX](#) [L78LR05DL-MA-E](#) [636416C](#) [714954EB](#) [BA033LBSG2-TR](#) [LV5680P-E](#) [L78M15CV-DG](#) [TLS202B1MBV33HTSA1](#) [L79M05T-E](#) [TLS202A1MBVHTSA1](#) [L78LR05D-MA-E](#) [NCV317MBTG](#) [NTE7227](#) [LV5680NPVC-XH](#) [LT1054CN8](#) [MP2018GZD-5-Z](#) [MP2018GZD-33-Z](#) [MIC5281-3.3YMM](#) [RT9078-28GQZ](#) [MC78L06BP-AP](#) [TA48LS05F\(TE85L,F\)](#) [TC47BR5003ECT](#) [TCR2LN12,LF\(S](#) [TCR2LN28,LF\(S](#) [TCR2LN30,LF\(S](#) [TCR3DF295,LM\(CT](#) [TCR3DF40,LM\(CT](#) [BA178M20CP-E2](#) [L78M12ABDT](#) [LR645N3-G-P003](#) [LR645N3-G-P013](#) [ZXTR2005P5-13](#) [SCD7812BTG](#) [TCR3DF335,LM\(CT](#) [TLE42994E V33](#) [ZXTR2008K-13](#) [ZXTR2005K-13](#) [L88R05DL-E](#) [ADP3300ARTZ-2.7RL7](#) [LM120K-15/883](#) [IFX54441LDVXUMA1](#) [LM317D2T-TR](#) [LM350T/NOPB](#)