

## Wire Wound SMD Power Inductors – FNR Series

Operating temperature range:  
-40 °C~+125 °C (Including self-heating)



### FEATURES

- Magnetic-resin shielded construction reduces buzz noise to ultra-low levels
- Metallization on ferrite core results in excellent shock resistance and damage-free durability
- Closed magnetic circuit design reduces leakage flux and Electro Magnetic Interference (EMI)
- 30% higher current rating than conventional inductors of equal size
- Takes up less PCB real estate and save more power

### 特征

- 磁性膠水塗敷結構極大減少了蜂鳴聲
- 在磁芯上金屬化電極，抗跌落沖擊強，經久耐用
- 閉合磁路結構設計，漏磁少，抗 EMI 能力強
- 電流特性較同等尺寸傳統電感高出30%以上
- 省空間，更省電

### APPLICATIONS

- Smart phone, smart TV, set top box, notebook
- Car navigation systems, telecomm base stations
- VR, AR
- LED lighting
- SSD, Bluetooth, Wi-Fi module
- NB-IOT, Bluetooth headset, Smartspeakers

### 用途

- 智能手機，智能電視，機頂盒，筆記本電腦
- 汽車導航系統，通信設備
- 虛擬現實，增強現實
- LED 照明
- 固態硬盤、藍牙、WIFI 模塊
- 物聯網模塊、藍牙耳機、智能音箱

### PRODUCT IDENTIFICATION

| ① FNR                              |  | ② 3015                        |  | ③ S |  | ④ 1R0 |  | ⑤ M |  | ⑥ T |  | ⑦ □□□ |  |
|------------------------------------|--|-------------------------------|--|-----|--|-------|--|-----|--|-----|--|-------|--|
| ① Type                             |  |                               |  |     |  |       |  |     |  |     |  |       |  |
| FNR                                |  | Wire Wound SMD Power Inductor |  |     |  |       |  |     |  |     |  |       |  |
| ③ Feature Type                     |  |                               |  |     |  |       |  |     |  |     |  |       |  |
| S                                  |  | Standard                      |  |     |  |       |  |     |  |     |  |       |  |
| ④ Nominal Inductance               |  |                               |  |     |  |       |  |     |  |     |  |       |  |
| Example                            |  | Nominal Value                 |  |     |  |       |  |     |  |     |  |       |  |
| 1R0                                |  | 1.0μH                         |  |     |  |       |  |     |  |     |  |       |  |
| 100                                |  | 10μH                          |  |     |  |       |  |     |  |     |  |       |  |
| ⑤ Inductance Tolerance             |  |                               |  |     |  |       |  |     |  |     |  |       |  |
| K                                  |  | ±10%                          |  |     |  |       |  |     |  |     |  |       |  |
| M                                  |  | ±20%                          |  |     |  |       |  |     |  |     |  |       |  |
| N                                  |  | ±30%                          |  |     |  |       |  |     |  |     |  |       |  |
| ⑥ Packing                          |  |                               |  |     |  |       |  |     |  |     |  |       |  |
| T                                  |  | Tape Carrier Package          |  |     |  |       |  |     |  |     |  |       |  |
| ⑦ Design Code                      |  |                               |  |     |  |       |  |     |  |     |  |       |  |
| □□□                                |  | Standard product is blank     |  |     |  |       |  |     |  |     |  |       |  |
| ② External Dimensions (L×W×H) [mm] |  |                               |  |     |  |       |  |     |  |     |  |       |  |
| 252010                             |  | 2.5×2.0×1.0                   |  |     |  |       |  |     |  |     |  |       |  |
| 252012                             |  | 2.5×2.0×1.2                   |  |     |  |       |  |     |  |     |  |       |  |
| 3010                               |  | 3.0×3.0×1.0                   |  |     |  |       |  |     |  |     |  |       |  |
| 3012                               |  | 3.0×3.0×1.2                   |  |     |  |       |  |     |  |     |  |       |  |
| 3015                               |  | 3.0×3.0×1.5                   |  |     |  |       |  |     |  |     |  |       |  |
| 3021                               |  | 3.0×3.0×2.1                   |  |     |  |       |  |     |  |     |  |       |  |
| 4010                               |  | 4.0×4.0×1.0                   |  |     |  |       |  |     |  |     |  |       |  |
| 4012                               |  | 4.0×4.0×1.2                   |  |     |  |       |  |     |  |     |  |       |  |
| 4015                               |  | 4.0×4.0×1.5                   |  |     |  |       |  |     |  |     |  |       |  |
| 4018                               |  | 4.0×4.0×1.8                   |  |     |  |       |  |     |  |     |  |       |  |
| 4020                               |  | 4.0×4.0×2.0                   |  |     |  |       |  |     |  |     |  |       |  |
| 4026                               |  | 4.0×4.0×2.6                   |  |     |  |       |  |     |  |     |  |       |  |
| 4030                               |  | 4.0×4.0×3.0                   |  |     |  |       |  |     |  |     |  |       |  |
| 5012                               |  | 5.0×5.0×1.2                   |  |     |  |       |  |     |  |     |  |       |  |
| 5015                               |  | 5.0×5.0×1.5                   |  |     |  |       |  |     |  |     |  |       |  |
| 5020                               |  | 5.0×5.0×2.0                   |  |     |  |       |  |     |  |     |  |       |  |
| 5030                               |  | 5.0×5.0×3.0                   |  |     |  |       |  |     |  |     |  |       |  |
| 5040                               |  | 5.0×5.0×4.0                   |  |     |  |       |  |     |  |     |  |       |  |
| 5045                               |  | 5.0×5.0×4.5                   |  |     |  |       |  |     |  |     |  |       |  |
| 6020                               |  | 6.0×6.0×2.0                   |  |     |  |       |  |     |  |     |  |       |  |
| 6028                               |  | 6.0×6.0×2.8                   |  |     |  |       |  |     |  |     |  |       |  |
| 6040                               |  | 6.0×6.0×4.0                   |  |     |  |       |  |     |  |     |  |       |  |
| 6045                               |  | 6.0×6.0×4.5                   |  |     |  |       |  |     |  |     |  |       |  |
| 8040                               |  | 8.0×8.0×4.0                   |  |     |  |       |  |     |  |     |  |       |  |
| 8050                               |  | 8.0×8.0×5.0                   |  |     |  |       |  |     |  |     |  |       |  |
| 8065                               |  | 8.0×8.0×6.5                   |  |     |  |       |  |     |  |     |  |       |  |

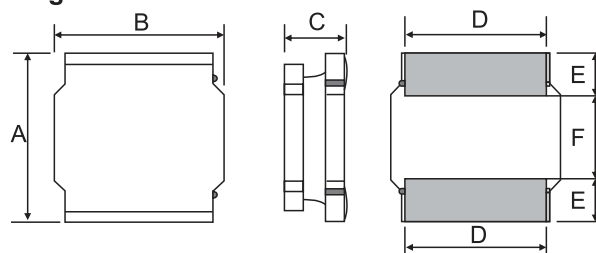
Specifications subject to change without notice. Please check our website for latest informations.

## SHAPE AND DIMENSIONS

Fig.1

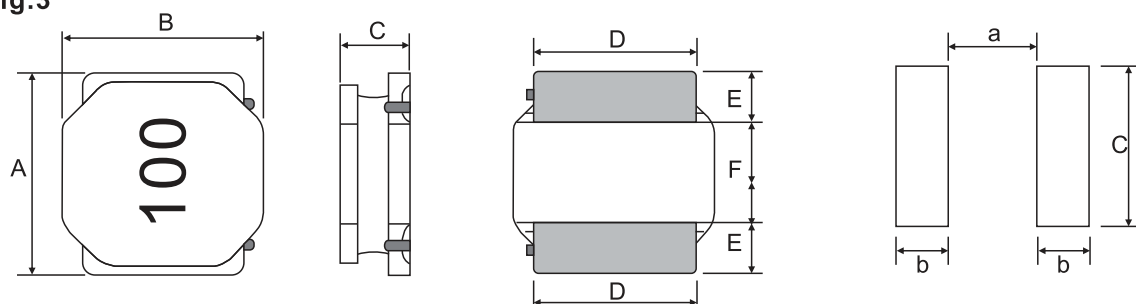


Fig.2



Recommended Land Pattern

Fig.3



Unit: mm

| Series     | Shape | A       | B       | C        | D       | E        | F        | A Typ. | B Typ. | C Typ. |
|------------|-------|---------|---------|----------|---------|----------|----------|--------|--------|--------|
| FNR252010S | Fig.1 | 2.5±0.1 | 2.0±0.1 | 1.0Max.  | 2.0±0.2 | 0.80±0.2 | 0.80±0.2 | 0.80   | 0.85   | 2.0    |
| FNR252012S | Fig.1 | 2.5±0.1 | 2.0±0.1 | 1.2Max.  | 2.0±0.2 | 0.80±0.2 | 0.80±0.2 | 0.80   | 0.85   | 2.0    |
| FNR3010S   | Fig.2 | 3.0±0.2 | 3.0±0.2 | 1.0Max.  | 2.5±0.2 | 0.75±0.2 | 1.5±0.2  | 1.5    | 0.8    | 2.7    |
| FNR3012S   | Fig.2 | 3.0±0.2 | 3.0±0.2 | 1.2Max.  | 2.5±0.2 | 0.75±0.2 | 1.5±0.2  | 1.5    | 0.8    | 2.7    |
| FNR3015S   | Fig.2 | 3.0±0.2 | 3.0±0.2 | 1.5Max.  | 2.5±0.2 | 0.75±0.2 | 1.5±0.2  | 1.5    | 0.8    | 2.7    |
| FNR3021S   | Fig.2 | 3.0±0.2 | 3.0±0.2 | 2.35Max. | 2.5±0.2 | 0.75±0.2 | 1.5±0.2  | 1.5    | 0.8    | 2.7    |
| FNR4010S   | Fig.2 | 4.0±0.2 | 4.0±0.2 | 1.0Max.  | 3.3±0.2 | 0.95±0.2 | 2.1±0.2  | 1.9    | 1.1    | 3.7    |
| FNR4012S   | Fig.2 | 4.0±0.2 | 4.0±0.2 | 1.2Max.  | 3.3±0.2 | 0.95±0.2 | 2.1±0.2  | 1.9    | 1.1    | 3.7    |
| FNR4015S   | Fig.2 | 4.0±0.2 | 4.0±0.2 | 1.65Max. | 3.3±0.2 | 0.95±0.2 | 2.1±0.2  | 1.9    | 1.1    | 3.7    |
| FNR4018S   | Fig.2 | 4.0±0.2 | 4.0±0.2 | 1.8Max.  | 3.3±0.2 | 0.95±0.2 | 2.1±0.2  | 1.9    | 1.1    | 3.7    |
| FNR4020S   | Fig.2 | 4.0±0.2 | 4.0±0.2 | 2.0Max.  | 3.3±0.2 | 0.95±0.2 | 2.1±0.2  | 1.9    | 1.1    | 3.7    |
| FNR4026S   | Fig.2 | 4.0±0.2 | 4.0±0.2 | 2.6Max.  | 3.3±0.2 | 0.95±0.2 | 2.1±0.2  | 1.9    | 1.1    | 3.7    |
| FNR4030S   | Fig.2 | 4.0±0.2 | 4.0±0.2 | 3.0Max.  | 3.3±0.2 | 0.95±0.2 | 2.1±0.2  | 1.9    | 1.1    | 3.7    |
| FNR5012S   | Fig.3 | 5.0±0.2 | 5.0±0.2 | 1.2Max.  | 4.0±0.2 | 1.25±0.2 | 2.5±0.2  | 2.3    | 1.4    | 4.2    |
| FNR5015S   | Fig.3 | 5.0±0.2 | 5.0±0.2 | 1.5Max.  | 4.0±0.2 | 1.25±0.2 | 2.5±0.2  | 2.3    | 1.4    | 4.2    |
| FNR5020S   | Fig.3 | 5.0±0.2 | 5.0±0.2 | 2.0Max.  | 4.0±0.2 | 1.25±0.2 | 2.5±0.2  | 2.3    | 1.4    | 4.2    |
| FNR5030S   | Fig.3 | 5.0±0.2 | 5.0±0.2 | 3.0Max.  | 4.0±0.2 | 1.25±0.2 | 2.5±0.2  | 2.3    | 1.4    | 4.2    |
| FNR5040S   | Fig.3 | 5.0±0.2 | 5.0±0.2 | 4.0Max.  | 4.0±0.2 | 1.25±0.2 | 2.5±0.2  | 2.3    | 1.4    | 4.2    |
| FNR5045S   | Fig.3 | 5.0±0.2 | 5.0±0.2 | 4.5Max.  | 4.0±0.2 | 1.25±0.2 | 2.5±0.2  | 2.3    | 1.4    | 4.2    |
| FNR6020S   | Fig.2 | 6.0±0.3 | 6.0±0.3 | 2.0Max.  | 4.9±0.3 | 1.55±0.3 | 2.9±0.3  | 2.8    | 1.7    | 5.7    |
| FNR6028S   | Fig.2 | 6.0±0.3 | 6.0±0.3 | 2.8Max.  | 4.9±0.3 | 1.55±0.3 | 2.9±0.3  | 2.8    | 1.7    | 5.7    |
| FNR6040S   | Fig.2 | 6.0±0.3 | 6.0±0.3 | 4.0Max.  | 4.9±0.3 | 1.55±0.3 | 2.9±0.3  | 2.8    | 1.7    | 5.7    |
| FNR6045S   | Fig.2 | 6.0±0.3 | 6.0±0.3 | 4.5Max.  | 4.9±0.3 | 1.55±0.3 | 2.9±0.3  | 2.8    | 1.7    | 5.7    |
| FNR8040S   | Fig.2 | 8.0±0.3 | 8.0±0.3 | 4.2Max.  | 6.3±0.3 | 2.00±0.3 | 4.0±0.3  | 3.8    | 2.2    | 7.5    |
| FNR8050S   | Fig.3 | 8.0±0.3 | 8.0±0.3 | 5.0Max.  | 6.3±0.3 | 2.00±0.3 | 4.0±0.3  | 3.8    | 2.2    | 7.5    |
| FNR8065S   | Fig.3 | 8.0±0.3 | 8.0±0.3 | 6.5Max.  | 6.3±0.3 | 2.00±0.3 | 4.0±0.3  | 3.8    | 2.2    | 7.5    |

※\*1: All products are printed with Marking except the 252010S, 252012S, 3010S, 3012S, 3015S and 3021S series.

## SPECIFICATIONS

### FNR252010S Series

| Part Number     | Inductance | DC Resistance |       | Self-resonant Frequency | Saturation Current*3 |      | Heat Rating Current*4 |      |
|-----------------|------------|---------------|-------|-------------------------|----------------------|------|-----------------------|------|
|                 | @100kHz,1V | Max.          | Typ.  | Min.                    | Max.                 | Typ. | Max.                  | Typ. |
| Units           | μH         | Ω             |       | MHz                     | A                    |      | A                     |      |
| Symbol          | L          | DCR           |       | S.R.F                   | Isat                 |      | Irms                  |      |
| FNR252010SR47NT | 0.47±30%   | 0.056         | 0.047 | 206                     | 2.50                 | 3.35 | 2.35                  | 2.56 |
| FNR252010SR56NT | 0.56±30%   | 0.072         | 0.060 | 160                     | 2.90                 | 3.20 | 2.00                  | 2.18 |
| FNR252010SR68NT | 0.68±30%   | 0.074         | 0.062 | 129                     | 2.20                 | 2.75 | 2.00                  | 2.18 |
| FNR252010S1R0NT | 1.0±30%    | 0.108         | 0.090 | 100                     | 1.85                 | 2.20 | 1.65                  | 1.80 |
| FNR252010S1R5NT | 1.5±30%    | 0.182         | 0.152 | 81                      | 1.80                 | 2.10 | 1.30                  | 1.42 |
| FNR252010S2R2NT | 2.2±30%    | 0.209         | 0.174 | 61                      | 1.20                 | 1.60 | 1.20                  | 1.31 |
| FNR252010S3R3MT | 3.3±20%    | 0.328         | 0.273 | 47                      | 1.05                 | 1.30 | 0.90                  | 0.98 |
| FNR252010S4R7MT | 4.7±20%    | 0.563         | 0.469 | 42                      | 0.95                 | 1.15 | 0.70                  | 0.76 |
| FNR252010S5R6MT | 5.6±20%    | 0.563         | 0.469 | 35                      | 0.80                 | 0.95 | 0.73                  | 0.80 |
| FNR252010S6R8MT | 6.8±20%    | 0.896         | 0.747 | 31                      | 0.78                 | 0.92 | 0.59                  | 0.64 |
| FNR252010S100MT | 10±20%     | 1.092         | 0.910 | 27                      | 0.65                 | 0.78 | 0.50                  | 0.55 |

### FNR252012S Series

| Part Number     | Inductance | DC Resistance |       | Self-resonant Frequency | Saturation Current*3 |      | Heat Rating Current*4 |      |
|-----------------|------------|---------------|-------|-------------------------|----------------------|------|-----------------------|------|
|                 | @100kHz,1V | Max.          | Typ.  | Min.                    | Max.                 | Typ. | Max.                  | Typ. |
| Units           | μH         | Ω             |       | MHz                     | A                    |      | A                     |      |
| Symbol          | L          | DCR           |       | S.R.F                   | Isat                 |      | Irms                  |      |
| FNR252012SR47NT | 0.47±30%   | 0.061         | 0.047 | 160                     | 3.82                 | 4.27 | 2.15                  | 2.34 |
| FNR252012SR68NT | 0.68±30%   | 0.074         | 0.057 | 140                     | 3.28                 | 3.68 | 1.95                  | 2.13 |
| FNR252012S1R0NT | 1.0±30%    | 0.090         | 0.069 | 110                     | 2.59                 | 2.90 | 1.93                  | 2.10 |
| FNR252012S1R2NT | 1.2±30%    | 0.129         | 0.099 | 100                     | 2.38                 | 2.67 | 1.46                  | 1.59 |
| FNR252012S1R5MT | 1.5±20%    | 0.147         | 0.113 | 97                      | 2.24                 | 2.51 | 1.40                  | 1.53 |
| FNR252012S2R2MT | 2.2±20%    | 0.216         | 0.166 | 69                      | 1.85                 | 2.07 | 1.15                  | 1.25 |
| FNR252012S2R7MT | 2.7±20%    | 0.239         | 0.184 | 63                      | 1.72                 | 1.92 | 1.09                  | 1.19 |
| FNR252012S3R3MT | 3.3±20%    | 0.264         | 0.203 | 62                      | 1.61                 | 1.80 | 1.04                  | 1.13 |
| FNR252012S3R6MT | 3.6±20%    | 0.348         | 0.268 | 53                      | 1.46                 | 1.64 | 0.90                  | 0.98 |
| FNR252012S4R3MT | 4.3±20%    | 0.377         | 0.290 | 51                      | 1.37                 | 1.53 | 0.87                  | 0.95 |
| FNR252012S4R7MT | 4.7±20%    | 0.377         | 0.290 | 47                      | 1.12                 | 1.25 | 0.84                  | 0.92 |
| FNR252012S5R1MT | 5.1±20%    | 0.500         | 0.385 | 44                      | 1.23                 | 1.37 | 0.75                  | 0.82 |
| FNR252012S5R6MT | 5.6±20%    | 0.538         | 0.414 | 38                      | 1.11                 | 1.25 | 0.73                  | 0.80 |
| FNR252012S6R2MT | 6.2±20%    | 0.542         | 0.417 | 38                      | 1.03                 | 1.16 | 0.73                  | 0.80 |
| FNR252012S6R8MT | 6.8±20%    | 0.581         | 0.447 | 38                      | 0.98                 | 1.09 | 0.69                  | 0.75 |
| FNR252012S7R5MT | 7.5±20%    | 0.611         | 0.470 | 35                      | 0.97                 | 1.09 | 0.68                  | 0.74 |
| FNR252012S8R2MT | 8.2±20%    | 0.658         | 0.506 | 36                      | 0.98                 | 1.10 | 0.65                  | 0.71 |
| FNR252012S9R1MT | 9.1±20%    | 0.690         | 0.531 | 34                      | 0.91                 | 1.02 | 0.62                  | 0.68 |
| FNR252012S100MT | 10±20%     | 0.690         | 0.531 | 34                      | 0.79                 | 0.88 | 0.62                  | 0.68 |
| FNR252012S120MT | 12±20%     | 1.075         | 0.827 | 28                      | 0.78                 | 0.88 | 0.51                  | 0.56 |
| FNR252012S150MT | 15±20%     | 1.591         | 1.224 | 25                      | 0.68                 | 0.77 | 0.42                  | 0.46 |
| FNR252012S220MT | 22±20%     | 1.976         | 1.520 | 20                      | 0.53                 | 0.59 | 0.38                  | 0.41 |

## SPECIFICATIONS

### FNR3010S Series

| Part Number   | Inductance | DC Resistance |       | Self-resonant Frequency | Saturation Current*3 |      | Heat Rating Current*4 |      |
|---------------|------------|---------------|-------|-------------------------|----------------------|------|-----------------------|------|
|               | @100kHz,1V | Max.          | Typ.  | Min.                    | Max.                 | Typ. | Max.                  | Typ. |
| Units         | $\mu$ H    | $\Omega$      |       | MHz                     | A                    |      | A                     |      |
| Symbol        | L          | DCR           |       | S.R.F                   | Isat                 |      | Irms                  |      |
| FNR3010S1R0NT | 1.0±30%    | 0.085         | 0.065 | 180                     | 1.40                 | 2.10 | 1.45                  | 1.80 |
| FNR3010S1R2NT | 1.2±30%    | 0.085         | 0.065 | 137                     | 1.25                 | 1.70 | 1.45                  | 1.80 |
| FNR3010S1R5NT | 1.5±30%    | 0.104         | 0.080 | 120                     | 1.27                 | 1.70 | 1.30                  | 1.60 |
| FNR3010S2R2NT | 2.2±30%    | 0.143         | 0.110 | 100                     | 1.15                 | 1.50 | 1.09                  | 1.40 |
| FNR3010S2R7NT | 2.7±30%    | 0.169         | 0.130 | 90                      | 1.00                 | 1.20 | 1.02                  | 1.40 |
| FNR3010S3R3NT | 3.3±30%    | 0.189         | 0.145 | 74                      | 0.97                 | 1.20 | 0.96                  | 1.20 |
| FNR3010S3R6MT | 3.6±20%    | 0.215         | 0.165 | 67                      | 0.95                 | 1.20 | 0.90                  | 1.10 |
| FNR3010S4R7MT | 4.7±20%    | 0.293         | 0.225 | 59                      | 0.75                 | 1.05 | 0.77                  | 1.10 |
| FNR3010S5R6MT | 5.6±20%    | 0.322         | 0.248 | 40                      | 0.58                 | 0.65 | 0.70                  | 1.05 |
| FNR3010S6R8MT | 6.8±20%    | 0.397         | 0.305 | 42                      | 0.55                 | 0.72 | 0.66                  | 0.96 |
| FNR3010S8R2MT | 8.2±20%    | 0.520         | 0.400 | 23                      | 0.55                 | 0.70 | 0.58                  | 0.70 |
| FNR3010S100MT | 10±20%     | 0.520         | 0.400 | 39                      | 0.55                 | 0.75 | 0.58                  | 0.70 |
| FNR3010S120MT | 12±20%     | 0.657         | 0.505 | 36                      | 0.43                 | 0.65 | 0.52                  | 0.67 |
| FNR3010S150MT | 15±20%     | 0.793         | 0.610 | 30                      | 0.42                 | 0.57 | 0.47                  | 0.57 |
| FNR3010S220MT | 22±20%     | 1.209         | 0.930 | 28                      | 0.35                 | 0.48 | 0.38                  | 0.52 |
| FNR3010S270MT | 27±20%     | 1.404         | 1.080 | 25                      | 0.30                 | 0.45 | 0.35                  | 0.50 |
| FNR3010S330MT | 33±20%     | 2.015         | 1.550 | 18                      | 0.29                 | 0.42 | 0.30                  | 0.55 |
| FNR3010S390MT | 39±20%     | 2.275         | 1.750 | 18                      | 0.28                 | 0.38 | 0.28                  | 0.53 |
| FNR3010S430MT | 43±20%     | 2.340         | 1.800 | 18                      | 0.23                 | 0.36 | 0.27                  | 0.52 |
| FNR3010S470MT | 47±20%     | 2.535         | 1.950 | 18                      | 0.22                 | 0.35 | 0.26                  | 0.52 |
| FNR3010S510MT | 51±20%     | 2.860         | 2.200 | 18                      | 0.21                 | 0.33 | 0.25                  | 0.48 |
| FNR3010S560MT | 56±20%     | 3.016         | 2.320 | 16                      | 0.21                 | 0.28 | 0.24                  | 0.35 |

### FNR3012S Series

| Part Number   | Inductance | DC Resistance |       | Self-resonant Frequency | Saturation Current*3 |      | Heat Rating Current*4 |      |
|---------------|------------|---------------|-------|-------------------------|----------------------|------|-----------------------|------|
|               | @100kHz,1V | Max.          | Typ.  | Min.                    | Max.                 | Typ. | Max.                  | Typ. |
| Units         | $\mu$ H    | $\Omega$      |       | MHz                     | A                    |      | A                     |      |
| Symbol        | L          | DCR           |       | S.R.F                   | Isat                 |      | Irms                  |      |
| FNR3012SR22NT | 0.22±30%   | 0.022         | 0.017 | 321                     | 5.30                 | 6.00 | 3.00                  | 3.30 |
| FNR3012SR82NT | 0.82±30%   | 0.039         | 0.030 | 180                     | 2.05                 | 2.80 | 2.47                  | 3.00 |
| FNR3012S1R0NT | 1.0±30%    | 0.052         | 0.040 | 120                     | 1.87                 | 2.80 | 2.20                  | 2.70 |
| FNR3012S1R2NT | 1.2±30%    | 0.059         | 0.045 | 120                     | 2.22                 | 2.50 | 2.01                  | 2.20 |
| FNR3012S1R5NT | 1.5±30%    | 0.059         | 0.045 | 110                     | 1.62                 | 1.90 | 2.01                  | 2.20 |
| FNR3012S1R8NT | 1.8±30%    | 0.082         | 0.063 | 90                      | 1.30                 | 1.90 | 1.65                  | 1.80 |
| FNR3012S2R2NT | 2.2±30%    | 0.098         | 0.075 | 84                      | 1.20                 | 1.90 | 1.55                  | 1.70 |
| FNR3012S2R4NT | 2.4±30%    | 0.088         | 0.068 | 100                     | 1.15                 | 1.50 | 1.60                  | 1.70 |
| FNR3012S2R7NT | 2.7±30%    | 0.110         | 0.085 | 65                      | 1.14                 | 1.50 | 1.48                  | 1.50 |
| FNR3012S3R3MT | 3.3±20%    | 0.130         | 0.100 | 64                      | 1.05                 | 1.50 | 1.36                  | 1.40 |
| FNR3012S3R6MT | 3.6±20%    | 0.130         | 0.100 | 36                      | 1.05                 | 1.50 | 1.36                  | 1.40 |
| FNR3012S3R9MT | 3.9±20%    | 0.189         | 0.145 | 61                      | 1.00                 | 1.30 | 1.24                  | 1.30 |
| FNR3012S4R7MT | 4.7±20%    | 0.156         | 0.120 | 61                      | 0.90                 | 1.00 | 1.24                  | 1.30 |
| FNR3012S5R6MT | 5.6±20%    | 0.226         | 0.174 | 61                      | 0.80                 | 1.10 | 1.13                  | 1.24 |
| FNR3012S6R8MT | 6.8±20%    | 0.247         | 0.190 | 61                      | 0.75                 | 0.90 | 0.98                  | 1.10 |
| FNR3012S100MT | 10±20%     | 0.345         | 0.265 | 42                      | 0.60                 | 0.88 | 0.83                  | 0.90 |
| FNR3012S120MT | 12±20%     | 0.449         | 0.345 | 32                      | 0.48                 | 0.67 | 0.73                  | 0.84 |
| FNR3012S150MT | 15±20%     | 0.468         | 0.360 | 27                      | 0.45                 | 0.62 | 0.71                  | 0.77 |
| FNR3012S180MT | 18±20%     | 0.709         | 0.545 | 25                      | 0.43                 | 0.59 | 0.58                  | 0.65 |

## SPECIFICATIONS

### FNR3012S Series

| Part Number   | Inductance  | DC Resistance |       | Self-resonant Frequency | Saturation Current*3 |      | Heat Rating Current*4 |      |
|---------------|-------------|---------------|-------|-------------------------|----------------------|------|-----------------------|------|
|               | @100kHz, 1V | Max.          | Typ.  | Min.                    | Max.                 | Typ. | Max.                  | Typ. |
| Units         | μH          | Ω             |       | MHz                     | A                    |      | A                     |      |
| Symbol        | L           | DCR           |       | S.R.F                   | Isat                 |      | Irms                  |      |
| FNR3012S220MT | 22±20%      | 0.839         | 0.645 | 23                      | 0.42                 | 0.52 | 0.53                  | 0.59 |
| FNR3012S270MT | 27±20%      | 1.131         | 0.870 | 21                      | 0.35                 | 0.48 | 0.47                  | 0.51 |
| FNR3012S330MT | 33±20%      | 1.138         | 0.875 | 18                      | 0.36                 | 0.46 | 0.46                  | 0.50 |
| FNR3012S360MT | 36±20%      | 1.235         | 0.950 | 18                      | 0.34                 | 0.44 | 0.44                  | 0.48 |
| FNR3012S390MT | 39±20%      | 1.729         | 1.330 | 18                      | 0.30                 | 0.39 | 0.37                  | 0.41 |
| FNR3012S470MT | 47±20%      | 1.885         | 1.450 | 14                      | 0.27                 | 0.35 | 0.35                  | 0.40 |
| FNR3012S560MT | 56±20%      | 1.794         | 1.380 | 9                       | 0.26                 | 0.33 | 0.28                  | 0.40 |
| FNR3012S680MT | 68±20%      | 2.171         | 1.670 | 7                       | 0.24                 | 0.29 | 0.33                  | 0.37 |
| FNR3012S820MT | 82±20%      | 3.302         | 2.540 | 7                       | 0.17                 | 0.27 | 0.27                  | 0.31 |
| FNR3012S101MT | 100±20%     | 3.718         | 2.860 | 5                       | 0.21                 | 0.23 | 0.25                  | 0.29 |

### FNR3015S Series

| Part Number   | Inductance  | DC Resistance |       | Self-resonant Frequency | Saturation Current*3 |      | Heat Rating Current*4 |      |
|---------------|-------------|---------------|-------|-------------------------|----------------------|------|-----------------------|------|
|               | @100kHz, 1V | Max.          | Typ.  | Min.                    | Max.                 | Typ. | Max.                  | Typ. |
| Units         | μH          | Ω             |       | MHz                     | A                    |      | A                     |      |
| Symbol        | L           | DCR           |       | S.R.F                   | Isat                 |      | Irms                  |      |
| FNR3015SR50NT | 0.5±30%     | 0.039         | 0.030 | 162                     | 3.90                 | 4.20 | 2.60                  | 2.80 |
| FNR3015S1R0NT | 1.0±30%     | 0.039         | 0.030 | 150                     | 2.32                 | 2.80 | 2.35                  | 2.50 |
| FNR3015S1R2NT | 1.2±30%     | 0.052         | 0.040 | 110                     | 2.21                 | 3.10 | 1.95                  | 2.30 |
| FNR3015S1R5NT | 1.5±30%     | 0.065         | 0.050 | 100                     | 2.30                 | 2.70 | 1.70                  | 2.20 |
| FNR3015S1R8NT | 1.8±30%     | 0.065         | 0.050 | 92                      | 1.75                 | 2.20 | 1.70                  | 2.20 |
| FNR3015S2R2NT | 2.2±30%     | 0.078         | 0.060 | 86                      | 1.60                 | 2.00 | 1.60                  | 2.00 |
| FNR3015S2R7NT | 2.7±30%     | 0.098         | 0.075 | 64                      | 1.52                 | 1.90 | 1.43                  | 1.90 |
| FNR3015S3R3MT | 3.3±20%     | 0.104         | 0.080 | 68                      | 1.32                 | 1.81 | 1.36                  | 1.60 |
| FNR3015S3R6MT | 3.6±20%     | 0.137         | 0.105 | 59                      | 1.28                 | 1.60 | 1.20                  | 1.50 |
| FNR3015S3R9MT | 3.9±20%     | 0.137         | 0.105 | 47                      | 1.20                 | 1.40 | 1.20                  | 1.50 |
| FNR3015S4R3MT | 4.3±20%     | 0.150         | 0.115 | 53                      | 1.20                 | 1.40 | 1.14                  | 1.30 |
| FNR3015S4R7MT | 4.7±20%     | 0.163         | 0.125 | 46                      | 1.10                 | 1.40 | 1.09                  | 1.30 |
| FNR3015S5R1MT | 5.1±20%     | 0.173         | 0.133 | 49                      | 1.00                 | 1.20 | 1.05                  | 1.20 |
| FNR3015S6R2MT | 6.2±20%     | 0.254         | 0.195 | 46                      | 1.00                 | 1.20 | 0.86                  | 1.00 |
| FNR3015S6R8MT | 6.8±20%     | 0.260         | 0.200 | 39                      | 0.85                 | 1.10 | 0.85                  | 1.10 |
| FNR3015S100MT | 10±20%      | 0.325         | 0.250 | 41                      | 0.72                 | 0.92 | 0.77                  | 0.90 |
| FNR3015S120MT | 12±20%      | 0.416         | 0.320 | 32                      | 0.70                 | 0.90 | 0.68                  | 0.89 |
| FNR3015S150MT | 15±20%      | 0.455         | 0.350 | 30                      | 0.66                 | 0.88 | 0.65                  | 0.72 |
| FNR3015S180MT | 18±20%      | 0.559         | 0.430 | 23                      | 0.56                 | 0.72 | 0.59                  | 0.72 |
| FNR3015S220MT | 22±20%      | 0.598         | 0.460 | 23                      | 0.52                 | 0.68 | 0.57                  | 0.69 |
| FNR3015S270MT | 27±20%      | 0.949         | 0.730 | 22                      | 0.48                 | 0.56 | 0.45                  | 0.56 |
| FNR3015S330MT | 33±20%      | 1.066         | 0.820 | 20                      | 0.44                 | 0.53 | 0.43                  | 0.51 |
| FNR3015S390MT | 39±20%      | 1.294         | 0.995 | 14                      | 0.41                 | 0.55 | 0.39                  | 0.44 |
| FNR3015S430MT | 43±20%      | 1.378         | 1.060 | 16                      | 0.37                 | 0.43 | 0.37                  | 0.48 |
| FNR3015S470MT | 47±20%      | 1.625         | 1.250 | 14                      | 0.35                 | 0.43 | 0.35                  | 0.44 |
| FNR3015S560MT | 56±20%      | 1.664         | 1.280 | 13                      | 0.33                 | 0.42 | 0.34                  | 0.41 |
| FNR3015S620MT | 62±20%      | 2.093         | 1.610 | 13                      | 0.30                 | 0.40 | 0.30                  | 0.41 |
| FNR3015S680MT | 68±20%      | 3.510         | 2.700 | 11                      | 0.28                 | 0.37 | 0.23                  | 0.31 |
| FNR3015S101MT | 100±20%     | 4.043         | 3.110 | 6.3                     | 0.23                 | 0.25 | 0.21                  | 0.25 |
| FNR3015S151MT | 150±20%     | 4.940         | 3.800 | 4.7                     | 0.18                 | 0.22 | 0.19                  | 0.23 |

## SPECIFICATIONS

### FNR3021S Series

| Part Number   | Inductance    | DC Resistance |       | Self-resonant Frequency | Saturation Current*3 |      | Heat Rating Current*4 |      |
|---------------|---------------|---------------|-------|-------------------------|----------------------|------|-----------------------|------|
|               | @100kHz,0.25V | Max.          | Typ.  | Min.                    | Max.                 | Typ. | Max.                  | Typ. |
| Units         | μH            | Ω             |       | MHz                     | A                    |      | A                     |      |
| Symbol        | L             | DCR           |       | S.R.F                   | Isat                 |      | Irms                  |      |
| FNR3021S1R0NT | 1.0±30%       | 0.056         | 0.043 | 135                     | 4.00                 | 6.00 | 2.00                  | 2.30 |
| FNR3021S1R2NT | 1.2±30%       | 0.060         | 0.047 | 99                      | 3.80                 | 4.10 | 1.95                  | 2.25 |
| FNR3021S1R5NT | 1.5±30%       | 0.061         | 0.047 | 90                      | 3.90                 | 4.20 | 2.00                  | 2.20 |
| FNR3021S2R2NT | 2.2±30%       | 0.091         | 0.070 | 75                      | 3.20                 | 3.70 | 1.85                  | 2.00 |
| FNR3021S3R3MT | 3.3±20%       | 0.120         | 0.092 | 61                      | 2.70                 | 3.00 | 1.50                  | 1.68 |
| FNR3021S4R7MT | 4.7±20%       | 0.156         | 0.120 | 44                      | 2.20                 | 2.70 | 1.20                  | 1.35 |
| FNR3021S6R8MT | 6.8±20%       | 0.208         | 0.160 | 35                      | 2.00                 | 2.40 | 1.00                  | 1.20 |
| FNR3021S100MT | 10±20%        | 0.312         | 0.240 | 37                      | 1.40                 | 1.80 | 0.93                  | 1.10 |
| FNR3021S220MT | 22±20%        | 0.689         | 0.530 | 21                      | 1.00                 | 1.20 | 0.55                  | 0.61 |
| FNR3021S470MT | 47±20%        | 1.300         | 1.000 | 13                      | 0.70                 | 0.88 | 0.40                  | 0.45 |
| FNR3021S151MT | 150±20%       | 5.200         | 4.000 | 4                       | 0.40                 | 0.49 | 0.16                  | 0.18 |

### FNR4010S Series

| Part Number   | Inductance | DC Resistance |       | Self-resonant Frequency | Saturation Current*3 |      | Heat Rating Current*4 |      |
|---------------|------------|---------------|-------|-------------------------|----------------------|------|-----------------------|------|
|               | @100kHz,1V | Max.          | Typ.  | Min.                    | Max.                 | Typ. | Max.                  | Typ. |
| Units         | μH         | Ω             |       | MHz                     | A                    |      | A                     |      |
| Symbol        | L          | DCR           |       | S.R.F                   | Isat                 |      | Irms                  |      |
| FNR4010S1R0NT | 1.0±30%    | 0.067         | 0.056 | 116                     | 2.00                 | 2.30 | 1.90                  | 2.40 |
| FNR4010S1R5NT | 1.5±30%    | 0.084         | 0.070 | 94                      | 1.68                 | 2.00 | 1.70                  | 2.00 |
| FNR4010S2R2MT | 2.2±20%    | 0.102         | 0.085 | 73                      | 1.20                 | 1.50 | 1.50                  | 2.00 |
| FNR4010S3R3MT | 3.3±20%    | 0.120         | 0.100 | 58                      | 1.10                 | 1.40 | 1.40                  | 1.80 |
| FNR4010S4R7MT | 4.7±20%    | 0.168         | 0.140 | 47                      | 0.95                 | 1.10 | 1.20                  | 1.50 |
| FNR4010S6R8MT | 6.8±20%    | 0.240         | 0.200 | 38                      | 0.80                 | 0.95 | 1.00                  | 1.20 |
| FNR4010S100MT | 10±20%     | 0.360         | 0.300 | 31                      | 0.62                 | 0.75 | 0.75                  | 1.00 |
| FNR4010S150MT | 15±20%     | 0.516         | 0.430 | 24                      | 0.54                 | 0.61 | 0.60                  | 0.85 |
| FNR4010S220MT | 22±20%     | 0.684         | 0.570 | 19                      | 0.45                 | 0.52 | 0.50                  | 0.75 |

### FNR4012S Series

| Part Number   | Inductance | DC Resistance |       | Self-resonant Frequency | Saturation Current*3 |      | Heat Rating Current*4 |      |
|---------------|------------|---------------|-------|-------------------------|----------------------|------|-----------------------|------|
|               | @100kHz,1V | Max.          | Typ.  | Min.                    | Max.                 | Typ. | Max.                  | Typ. |
| Units         | μH         | Ω             |       | MHz                     | A                    |      | A                     |      |
| Symbol        | L          | DCR           |       | S.R.F                   | Isat                 |      | Irms                  |      |
| FNR4012SR82NT | 0.82±30%   | 0.065         | 0.050 | 150                     | 3.02                 | 3.30 | 1.65                  | 2.50 |
| FNR4012S1R0NT | 1.0±30%    | 0.065         | 0.050 | 120                     | 2.61                 | 3.20 | 1.65                  | 2.50 |
| FNR4012S1R5NT | 1.5±30%    | 0.085         | 0.065 | 90                      | 2.10                 | 2.70 | 1.46                  | 2.20 |
| FNR4012S1R8NT | 1.8±30%    | 0.104         | 0.080 | 88                      | 2.12                 | 2.60 | 1.32                  | 1.90 |
| FNR4012S2R2NT | 2.2±30%    | 0.104         | 0.080 | 74                      | 1.76                 | 2.30 | 1.32                  | 1.90 |
| FNR4012S2R7NT | 2.7±30%    | 0.117         | 0.090 | 71                      | 1.90                 | 2.30 | 1.25                  | 1.70 |
| FNR4012S3R3NT | 3.3±30%    | 0.143         | 0.110 | 60                      | 1.72                 | 2.10 | 1.12                  | 1.60 |
| FNR4012S3R6NT | 3.6±30%    | 0.143         | 0.110 | 57                      | 1.20                 | 1.70 | 1.12                  | 1.60 |



## SPECIFICATIONS

### FNR4012S Series

| Part Number   | Inductance  | DC Resistance |       | Self-resonant Frequency | Saturation Current*3 |      | Heat Rating Current*4 |      |
|---------------|-------------|---------------|-------|-------------------------|----------------------|------|-----------------------|------|
|               | @100kHz, 1V | Max.          | Typ.  | Min.                    | Max.                 | Typ. | Max.                  | Typ. |
| Units         | μH          | Ω             |       | MHz                     | A                    |      | A                     |      |
| Symbol        | L           | DCR           |       | S.R.F                   | Isat                 |      | Irms                  |      |
| FNR4012S4R3NT | 4.3±30%     | 0.182         | 0.140 | 54                      | 1.58                 | 1.70 | 1.00                  | 1.50 |
| FNR4012S4R7NT | 4.7±30%     | 0.163         | 0.125 | 50                      | 1.15                 | 1.80 | 1.05                  | 1.50 |
| FNR4012S5R1NT | 5.1±30%     | 0.201         | 0.155 | 50                      | 1.55                 | 1.60 | 0.95                  | 1.50 |
| FNR4012S5R6NT | 5.6±30%     | 0.182         | 0.140 | 42                      | 1.00                 | 1.60 | 1.00                  | 1.20 |
| FNR4012S6R8MT | 6.8±20%     | 0.257         | 0.198 | 40                      | 0.85                 | 1.40 | 0.84                  | 1.20 |
| FNR4012S100MT | 10±20%      | 0.345         | 0.265 | 33                      | 0.80                 | 1.10 | 0.77                  | 1.00 |
| FNR4012S120MT | 12±20%      | 0.377         | 0.290 | 32                      | 0.66                 | 1.00 | 0.70                  | 0.95 |
| FNR4012S150MT | 15±20%      | 0.442         | 0.340 | 25                      | 0.56                 | 0.80 | 0.64                  | 0.85 |
| FNR4012S180MT | 18±20%      | 0.611         | 0.470 | 23                      | 0.55                 | 0.75 | 0.55                  | 0.80 |
| FNR4012S220MT | 22±20%      | 0.763         | 0.587 | 20                      | 0.46                 | 0.70 | 0.49                  | 0.75 |
| FNR4012S270MT | 27±20%      | 0.936         | 0.720 | 18                      | 0.50                 | 0.70 | 0.45                  | 0.60 |
| FNR4012S330MT | 33±20%      | 1.053         | 0.810 | 17                      | 0.42                 | 0.60 | 0.42                  | 0.58 |
| FNR4012S360MT | 36±20%      | 1.170         | 0.900 | 14                      | 0.40                 | 0.50 | 0.40                  | 0.56 |
| FNR4012S390MT | 39±20%      | 1.430         | 1.100 | 16                      | 0.55                 | 0.66 | 0.37                  | 0.50 |
| FNR4012S470MT | 47±20%      | 1.430         | 1.100 | 12                      | 0.35                 | 0.50 | 0.37                  | 0.50 |
| FNR4012S560MT | 56±20%      | 1.625         | 1.250 | 11                      | 0.33                 | 0.45 | 0.33                  | 0.46 |
| FNR4012S680MT | 68±20%      | 2.535         | 1.950 | 11                      | 0.38                 | 0.45 | 0.27                  | 0.45 |
| FNR4012S820MT | 82±20%      | 2.782         | 2.140 | 11                      | 0.28                 | 0.40 | 0.26                  | 0.36 |
| FNR4012S101MT | 100±20%     | 2.873         | 2.210 | 9.4                     | 0.25                 | 0.30 | 0.25                  | 0.35 |

### FNR4015S Series

| Part Number   | Inductance     | DC Resistance |       | Self-resonant Frequency | Saturation Current*3 |      | Heat Rating Current*4 |      |
|---------------|----------------|---------------|-------|-------------------------|----------------------|------|-----------------------|------|
|               | @100kHz, 0.25V | Max.          | Typ.  | Min.                    | Max.                 | Typ. | Max.                  | Typ. |
| Units         | μH             | Ω             |       | MHz                     | A                    |      | A                     |      |
| Symbol        | L              | DCR           |       | S.R.F                   | Isat                 |      | Irms                  |      |
| FNR4015S1R0NT | 1.0±30%        | 0.046         | 0.035 | 108                     | 3.30                 | 4.40 | 2.50                  | 2.80 |
| FNR4015S1R5NT | 1.5±30%        | 0.052         | 0.040 | 81                      | 2.70                 | 3.50 | 2.20                  | 2.50 |
| FNR4015S2R2MT | 2.2±20%        | 0.069         | 0.053 | 67                      | 2.10                 | 3.00 | 2.00                  | 2.20 |
| FNR4015S3R3MT | 3.3±20%        | 0.098         | 0.075 | 54                      | 1.90                 | 2.60 | 1.80                  | 2.00 |
| FNR4015S4R7MT | 4.7±20%        | 0.130         | 0.100 | 45                      | 1.45                 | 2.10 | 1.35                  | 1.50 |
| FNR4015S6R8MT | 6.8±20%        | 0.176         | 0.135 | 36                      | 1.30                 | 1.60 | 1.20                  | 1.35 |
| FNR4015S100MT | 10±20%         | 0.260         | 0.200 | 30                      | 1.10                 | 1.36 | 1.00                  | 1.12 |
| FNR4015S150MT | 15±20%         | 0.390         | 0.300 | 23                      | 0.90                 | 1.10 | 0.85                  | 0.96 |
| FNR4015S220MT | 22±20%         | 0.520         | 0.400 | 18                      | 0.72                 | 0.90 | 0.68                  | 0.76 |
| FNR4015S330MT | 33±20%         | 0.858         | 0.660 | 14                      | 0.63                 | 0.76 | 0.58                  | 0.65 |
| FNR4015S470MT | 47±20%         | 1.270         | 0.975 | 11                      | 0.55                 | 0.63 | 0.45                  | 0.50 |
| FNR4015S680MT | 68±20%         | 2.080         | 1.600 | 10                      | 0.50                 | 0.58 | 0.42                  | 0.47 |

## SPECIFICATIONS

### FNR4018S Series

| Part Number   | Inductance | DC Resistance |       | Self-resonant Frequency | Saturation Current*3 |      | Heat Rating Current*4 |      |
|---------------|------------|---------------|-------|-------------------------|----------------------|------|-----------------------|------|
|               | @100kHz,1V | Max.          | Typ.  | Min.                    | Max.                 | Typ. | Max.                  | Typ. |
| Units         | μH         | Ω             |       | MHz                     | A                    |      | A                     |      |
| Symbol        | L          | DCR           |       | S.R.F                   | Isat                 |      | Irms                  |      |
| FNR4018SR47NT | 0.47±30%   | 0.018         | 0.014 | 155                     | 4.30                 | 5.20 | 4.00                  | 4.50 |
| FNR4018SR68NT | 0.68±30%   | 0.026         | 0.020 | 128                     | 4.90                 | 5.60 | 3.30                  | 3.80 |
| FNR4018S1R0NT | 1.0±30%    | 0.033         | 0.025 | 80                      | 4.80                 | 5.20 | 2.00                  | 3.30 |
| FNR4018S1R5NT | 1.5±30%    | 0.039         | 0.030 | 65                      | 3.35                 | 4.00 | 1.80                  | 3.20 |
| FNR4018S1R8NT | 1.8±30%    | 0.044         | 0.034 | 54                      | 3.00                 | 3.40 | 2.00                  | 2.80 |
| FNR4018S2R2MT | 2.2±20%    | 0.059         | 0.045 | 52                      | 2.70                 | 3.20 | 1.65                  | 2.60 |
| FNR4018S3R3MT | 3.3±20%    | 0.091         | 0.070 | 44                      | 2.45                 | 2.90 | 1.23                  | 2.10 |
| FNR4018S4R7MT | 4.7±20%    | 0.117         | 0.090 | 34                      | 1.70                 | 2.20 | 1.20                  | 1.80 |
| FNR4018S6R8MT | 6.8±20%    | 0.143         | 0.110 | 29                      | 1.45                 | 2.00 | 1.06                  | 1.50 |
| FNR4018S100MT | 10±20%     | 0.234         | 0.180 | 24                      | 1.30                 | 1.60 | 0.84                  | 1.20 |
| FNR4018S150MT | 15±20%     | 0.325         | 0.250 | 19                      | 0.94                 | 1.10 | 0.65                  | 1.00 |
| FNR4018S220MT | 22±20%     | 0.468         | 0.360 | 16                      | 0.80                 | 0.88 | 0.59                  | 0.85 |
| FNR4018S270MT | 27±20%     | 0.611         | 0.470 | 27                      | 0.47                 | 0.62 | 0.52                  | 0.90 |
| FNR4018S330MT | 33±20%     | 0.689         | 0.530 | 12                      | 0.56                 | 0.75 | 0.49                  | 0.72 |
| FNR4018S470MT | 47±20%     | 0.845         | 0.650 | 10                      | 0.57                 | 0.70 | 0.42                  | 0.65 |
| FNR4018S680MT | 68±20%     | 1.300         | 1.000 | 8.3                     | 0.47                 | 0.51 | 0.32                  | 0.52 |
| FNR4018S101MT | 100±20%    | 2.275         | 1.750 | 6.5                     | 0.40                 | 0.44 | 0.25                  | 0.41 |
| FNR4018S151MT | 150±20%    | 3.250         | 2.500 | 5.5                     | 0.31                 | 0.34 | 0.22                  | 0.36 |
| FNR4018S221MT | 220±20%    | 5.200         | 4.000 | 4                       | 0.27                 | 0.30 | 0.17                  | 0.27 |

### FNR4020S Series

| Part Number   | Inductance | DC Resistance |       | Self-resonant Frequency | Saturation Current*3 |      | Heat Rating Current*4 |      |
|---------------|------------|---------------|-------|-------------------------|----------------------|------|-----------------------|------|
|               | @100kHz,1V | Max.          | Typ.  | Min.                    | Max.                 | Typ. | Max.                  | Typ. |
| Units         | μH         | Ω             |       | MHz                     | A                    |      | A                     |      |
| Symbol        | L          | DCR           |       | S.R.F                   | Isat                 |      | Irms                  |      |
| FNR4020SR24MT | 0.24±20%   | 0.014         | 0.011 | 283                     | 10.5                 | 12.5 | 4.50                  | 5.20 |
| FNR4020SR33NT | 0.33±30%   | 0.016         | 0.013 | 223                     | 7.50                 | 8.50 | 3.30                  | 4.90 |
| FNR4020SR47NT | 0.47±30%   | 0.029         | 0.022 | 160                     | 7.00                 | 7.50 | 3.30                  | 3.70 |
| FNR4020SR68NT | 0.68±30%   | 0.036         | 0.028 | 120                     | 6.40                 | 6.60 | 2.80                  | 3.30 |
| FNR4020S1R0NT | 1.0±30%    | 0.038         | 0.029 | 75                      | 4.78                 | 5.20 | 2.15                  | 3.20 |
| FNR4020S1R2NT | 1.2±30%    | 0.038         | 0.029 | 72                      | 5.10                 | 5.60 | 2.15                  | 3.20 |
| FNR4020S1R5NT | 1.5±30%    | 0.046         | 0.035 | 71                      | 4.45                 | 4.90 | 1.98                  | 3.00 |
| FNR4020S2R2NT | 2.2±30%    | 0.052         | 0.040 | 49                      | 3.40                 | 3.70 | 1.85                  | 2.80 |
| FNR4020S3R3MT | 3.3±20%    | 0.091         | 0.070 | 44                      | 3.20                 | 3.50 | 1.40                  | 2.50 |
| FNR4020S3R6MT | 3.6±20%    | 0.072         | 0.055 | 49                      | 2.80                 | 3.00 | 1.54                  | 2.50 |
| FNR4020S4R7MT | 4.7±20%    | 0.098         | 0.075 | 42                      | 2.35                 | 2.50 | 1.34                  | 2.00 |
| FNR4020S5R1MT | 5.1±20%    | 0.111         | 0.085 | 42                      | 2.30                 | 2.50 | 1.27                  | 1.80 |
| FNR4020S5R6MT | 5.6±20%    | 0.117         | 0.090 | 30                      | 2.20                 | 2.40 | 1.22                  | 1.80 |
| FNR4020S6R2MT | 6.2±20%    | 0.150         | 0.115 | 36                      | 2.15                 | 2.30 | 1.08                  | 1.60 |
| FNR4020S6R8MT | 6.8±20%    | 0.163         | 0.125 | 33                      | 2.20                 | 2.40 | 1.04                  | 1.60 |
| FNR4020S7R5MT | 7.5±20%    | 0.150         | 0.115 | 30                      | 1.85                 | 2.00 | 1.08                  | 1.50 |
| FNR4020S8R2MT | 8.2±20%    | 0.163         | 0.125 | 27                      | 1.75                 | 1.90 | 1.04                  | 1.40 |
| FNR4020S100MT | 10±20%     | 0.215         | 0.165 | 26                      | 1.60                 | 1.70 | 0.90                  | 1.20 |
| FNR4020S120MT | 12±20%     | 0.228         | 0.175 | 26                      | 1.50                 | 1.60 | 0.88                  | 1.20 |
| FNR4020S150MT | 15±20%     | 0.299         | 0.230 | 24                      | 1.35                 | 1.50 | 0.77                  | 1.10 |
| FNR4020S220MT | 22±20%     | 0.455         | 0.350 | 15                      | 1.05                 | 1.10 | 0.62                  | 0.87 |
| FNR4020S270MT | 27±20%     | 0.709         | 0.545 | 14                      | 1.02                 | 1.10 | 0.50                  | 0.70 |



## SPECIFICATIONS

### FNR4020S Series

| Part Number   | Inductance  | DC Resistance |       | Self-resonant Frequency | Saturation Current*3 |      | Heat Rating Current*4 |      |
|---------------|-------------|---------------|-------|-------------------------|----------------------|------|-----------------------|------|
|               | @100kHz, 1V | Max.          | Typ.  | Min.                    | Max.                 | Typ. | Max.                  | Typ. |
| Units         | μH          | Ω             |       | MHz                     | A                    |      | A                     |      |
| Symbol        | L           | DCR           |       | S.R.F                   | Isat                 |      | Irms                  |      |
| FNR4020S330MT | 33±20%      | 0.715         | 0.550 | 11                      | 0.85                 | 0.93 | 0.49                  | 0.68 |
| FNR4020S390MT | 39±20%      | 0.845         | 0.650 | 11                      | 0.82                 | 0.90 | 0.46                  | 0.64 |
| FNR4020S430MT | 43±20%      | 0.858         | 0.660 | 10                      | 0.77                 | 0.85 | 0.45                  | 0.63 |
| FNR4020S470MT | 47±20%      | 0.923         | 0.710 | 10                      | 0.74                 | 0.81 | 0.44                  | 0.61 |
| FNR4020S510MT | 51±20%      | 0.975         | 0.750 | 10                      | 0.70                 | 0.77 | 0.42                  | 0.59 |
| FNR4020S560MT | 56±20%      | 1.040         | 0.800 | 10                      | 0.66                 | 0.72 | 0.41                  | 0.57 |
| FNR4020S620MT | 62±20%      | 1.170         | 0.900 | 9.6                     | 0.65                 | 0.71 | 0.39                  | 0.52 |
| FNR4020S680MT | 68±20%      | 1.380         | 1.060 | 7.7                     | 0.61                 | 0.67 | 0.36                  | 0.50 |
| FNR4020S750MT | 75±20%      | 1.510         | 1.160 | 7.7                     | 0.70                 | 0.77 | 0.35                  | 0.49 |
| FNR4020S820MT | 82±20%      | 1.520         | 1.170 | 7.2                     | 0.50                 | 0.55 | 0.34                  | 0.47 |
| FNR4020S101MT | 100±20%     | 2.020         | 1.550 | 6.3                     | 0.48                 | 0.53 | 0.31                  | 0.43 |

### FNR4026S Series

| Part Number   | Inductance  | DC Resistance |       | Self-resonant Frequency | Saturation Current*3 |      | Heat Rating Current*4 |      |
|---------------|-------------|---------------|-------|-------------------------|----------------------|------|-----------------------|------|
|               | @100kHz, 1V | Max.          | Typ.  | Min.                    | Max.                 | Typ. | Max.                  | Typ. |
| Units         | μH          | Ω             |       | MHz                     | A                    |      | A                     |      |
| Symbol        | L           | DCR           |       | S.R.F                   | Isat                 |      | Irms                  |      |
| FNR4026S1R0NT | 1.0±30%     | 0.031         | 0.024 | 151                     | 3.30                 | 3.80 | 3.00                  | 3.30 |
| FNR4026S1R2NT | 1.2±30%     | 0.039         | 0.030 | 120                     | 3.10                 | 3.40 | 2.30                  | 3.30 |
| FNR4026S1R5NT | 1.5±30%     | 0.039         | 0.030 | 100                     | 2.40                 | 2.90 | 2.30                  | 3.10 |
| FNR4026S2R2MT | 2.2±20%     | 0.052         | 0.040 | 96                      | 2.10                 | 2.40 | 2.00                  | 3.80 |
| FNR4026S3R3MT | 3.3±20%     | 0.065         | 0.050 | 58                      | 1.80                 | 2.00 | 1.70                  | 2.50 |
| FNR4026S4R7MT | 4.7±20%     | 0.072         | 0.055 | 46                      | 1.45                 | 1.70 | 1.60                  | 2.30 |
| FNR4026S6R8MT | 6.8±20%     | 0.085         | 0.065 | 33                      | 1.30                 | 1.50 | 1.50                  | 2.00 |
| FNR4026S100MT | 10±20%      | 0.110         | 0.085 | 26                      | 1.00                 | 1.20 | 1.30                  | 1.90 |
| FNR4026S150MT | 15±20%      | 0.143         | 0.110 | 19                      | 0.90                 | 1.00 | 1.10                  | 1.50 |
| FNR4026S220MT | 22±20%      | 0.214         | 0.165 | 13                      | 0.60                 | 0.80 | 0.90                  | 1.40 |
| FNR4026S330MT | 33±20%      | 0.351         | 0.270 | 9                       | 0.55                 | 0.65 | 0.70                  | 1.00 |
| FNR4026S470MT | 47±20%      | 0.390         | 0.300 | 6                       | 0.40                 | 0.55 | 0.65                  | 0.90 |

### FNR4030S Series

| Part Number   | Inductance  | DC Resistance |       | Self-resonant Frequency | Saturation Current*3 |      | Heat Rating Current*4 |      |
|---------------|-------------|---------------|-------|-------------------------|----------------------|------|-----------------------|------|
|               | @100kHz, 1V | Max.          | Typ.  | Min.                    | Max.                 | Typ. | Max.                  | Typ. |
| Units         | μH          | Ω             |       | MHz                     | A                    |      | A                     |      |
| Symbol        | L           | DCR           |       | S.R.F                   | Isat                 |      | Irms                  |      |
| FNR4030SR68NT | 0.68±30%    | 0.013         | 0.010 | 130                     | 6.80                 | 8.00 | 4.56                  | 5.10 |
| FNR4030SR91NT | 0.91±30%    | 0.017         | 0.013 | 100                     | 6.25                 | 6.80 | 4.15                  | 4.70 |
| FNR4030S1R0NT | 1.0±30%     | 0.018         | 0.014 | 70                      | 5.26                 | 5.70 | 4.15                  | 4.70 |
| FNR4030S1R2NT | 1.2±30%     | 0.020         | 0.015 | 80                      | 5.80                 | 6.30 | 3.82                  | 4.20 |
| FNR4030S1R5NT | 1.5±30%     | 0.026         | 0.020 | 62                      | 4.84                 | 5.30 | 3.34                  | 3.60 |
| FNR4030S1R8NT | 1.8±30%     | 0.033         | 0.025 | 60                      | 5.40                 | 5.80 | 3.20                  | 3.30 |
| FNR4030S2R2NT | 2.2±30%     | 0.039         | 0.030 | 52                      | 4.90                 | 5.80 | 2.95                  | 3.20 |
| FNR4030S3R3MT | 3.3±20%     | 0.052         | 0.040 | 38                      | 3.30                 | 3.60 | 2.40                  | 2.60 |
| FNR4030S3R6MT | 3.6±20%     | 0.052         | 0.040 | 37                      | 3.00                 | 3.50 | 2.40                  | 2.60 |
| FNR4030S3R9MT | 3.9±20%     | 0.074         | 0.057 | 32                      | 3.00                 | 3.30 | 2.10                  | 2.30 |

## SPECIFICATIONS

### FNR4030S Series

| Part Number   | Inductance | DC Resistance |       | Self-resonant Frequency | Saturation Current*3 |      | Heat Rating Current*4 |      |
|---------------|------------|---------------|-------|-------------------------|----------------------|------|-----------------------|------|
|               | @100kHz,1V | Max.          | Typ.  | Min.                    | Max.                 | Typ. | Max.                  | Typ. |
| Units         | μH         | Ω             |       | MHz                     | A                    |      | A                     |      |
| Symbol        | L          | DCR           |       | S.R.F                   | Isat                 |      | Irms                  |      |
| FNR4030S4R3MT | 4.3±20%    | 0.072         | 0.055 | 37                      | 2.95                 | 3.20 | 2.10                  | 2.30 |
| FNR4030S4R7MT | 4.7±20%    | 0.078         | 0.060 | 31                      | 2.90                 | 3.20 | 2.00                  | 2.30 |
| FNR4030S5R6MT | 5.6±20%    | 0.085         | 0.065 | 30                      | 2.60                 | 2.80 | 1.95                  | 2.10 |
| FNR4030S6R8MT | 6.8±20%    | 0.117         | 0.090 | 24                      | 2.75                 | 3.00 | 1.60                  | 1.70 |
| FNR4030S7R5MT | 7.5±20%    | 0.110         | 0.085 | 26                      | 2.20                 | 2.40 | 1.65                  | 1.80 |
| FNR4030S8R2MT | 8.2±20%    | 0.117         | 0.090 | 26                      | 2.10                 | 2.30 | 1.60                  | 1.70 |
| FNR4030S100MT | 10±20%     | 0.130         | 0.100 | 21                      | 1.95                 | 2.40 | 1.50                  | 1.60 |
| FNR4030S120MT | 12±20%     | 0.175         | 0.135 | 18                      | 1.70                 | 1.80 | 1.30                  | 1.40 |
| FNR4030S150MT | 15±20%     | 0.247         | 0.190 | 16                      | 1.65                 | 1.80 | 1.11                  | 1.20 |
| FNR4030S180MT | 18±20%     | 0.260         | 0.200 | 10                      | 1.40                 | 1.50 | 1.10                  | 1.20 |
| FNR4030S220MT | 22±20%     | 0.292         | 0.225 | 10                      | 1.30                 | 1.40 | 1.00                  | 1.20 |
| FNR4030S270MT | 27±20%     | 0.338         | 0.260 | 10                      | 1.15                 | 1.35 | 0.90                  | 1.05 |
| FNR4030S330MT | 33±20%     | 0.429         | 0.330 | 10                      | 1.10                 | 1.20 | 0.84                  | 0.92 |
| FNR4030S360MT | 36±20%     | 0.436         | 0.335 | 9.8                     | 1.05                 | 1.10 | 0.83                  | 0.91 |
| FNR4030S390MT | 39±20%     | 0.566         | 0.435 | 10                      | 1.03                 | 1.10 | 0.73                  | 0.80 |
| FNR4030S470MT | 47±20%     | 0.579         | 0.445 | 8.4                     | 0.95                 | 1.00 | 0.72                  | 0.80 |
| FNR4030S510MT | 51±20%     | 0.611         | 0.470 | 8.4                     | 0.90                 | 1.13 | 0.70                  | 0.80 |
| FNR4030S560MT | 56±20%     | 0.722         | 0.555 | 8.4                     | 0.85                 | 0.94 | 0.65                  | 0.71 |
| FNR4030S620MT | 62±20%     | 0.761         | 0.585 | 7                       | 0.80                 | 0.99 | 0.63                  | 0.70 |
| FNR4030S680MT | 68±20%     | 1.128         | 0.868 | 7                       | 0.72                 | 0.80 | 0.52                  | 0.57 |
| FNR4030S750MT | 75±20%     | 1.326         | 1.020 | 6.3                     | 0.70                 | 0.88 | 0.48                  | 0.53 |
| FNR4030S820MT | 82±20%     | 1.378         | 1.060 | 5.6                     | 0.66                 | 0.72 | 0.47                  | 0.52 |
| FNR4030S910MT | 91±20%     | 1.430         | 1.100 | 5.6                     | 0.65                 | 0.71 | 0.46                  | 0.50 |
| FNR4030S101MT | 100±20%    | 1.495         | 1.150 | 5.6                     | 0.60                 | 0.73 | 0.45                  | 0.49 |
| FNR4030S121MT | 120±20%    | 1.755         | 1.350 | 5.4                     | 0.55                 | 0.60 | 0.42                  | 0.46 |
| FNR4030S151MT | 150±20%    | 2.340         | 1.800 | 4                       | 0.50                 | 0.55 | 0.30                  | 0.35 |
| FNR4030S221MT | 220±20%    | 3.250         | 2.500 | 4.2                     | 0.40                 | 0.50 | 0.35                  | 0.40 |
| FNR4030S331MT | 330±20%    | 5.200         | 4.000 | 6.8                     | 0.30                 | 0.40 | 0.25                  | 0.26 |
| FNR4030S471KT | 470±10%    | 9.360         | 7.200 | 2                       | 0.30                 | 0.35 | 0.20                  | 0.23 |
| FNR4030S501MT | 500±20%    | 9.027         | 6.944 | 2                       | 0.28                 | 0.30 | 0.15                  | 0.20 |
| FNR4030S681MT | 680±20%    | 9.854         | 7.580 | 1.2                     | 0.19                 | 0.20 | 0.14                  | 0.18 |

### FNR5012S Series

| Part Number   | Inductance | DC Resistance |       | Self-resonant Frequency | Saturation Current*3 |      | Heat Rating Current*4 |      |
|---------------|------------|---------------|-------|-------------------------|----------------------|------|-----------------------|------|
|               | @100kHz,1V | Max.          | Typ.  | Min.                    | Max.                 | Typ. | Max.                  | Typ. |
| Units         | μH         | Ω             |       | MHz                     | A                    |      | A                     |      |
| Symbol        | L          | DCR           |       | S.R.F                   | Isat                 |      | Irms                  |      |
| FNR5012SR22NT | 0.22±30%   | 0.034         | 0.028 | 315                     | 8.10                 | 9.30 | 3.00                  | 3.30 |
| FNR5012S1R0NT | 1.0±30%    | 0.068         | 0.057 | 103                     | 4.40                 | 4.70 | 2.00                  | 2.40 |
| FNR5012S1R5NT | 1.5±30%    | 0.086         | 0.072 | 68                      | 3.70                 | 3.80 | 1.90                  | 2.20 |
| FNR5012S2R2NT | 2.2±30%    | 0.108         | 0.090 | 50                      | 3.10                 | 3.20 | 1.70                  | 2.00 |
| FNR5012S3R3NT | 3.3±30%    | 0.151         | 0.126 | 34                      | 2.40                 | 2.60 | 1.40                  | 1.70 |
| FNR5012S4R7NT | 4.7±30%    | 0.197         | 0.164 | 31                      | 2.20                 | 2.30 | 1.30                  | 1.50 |
| FNR5012S6R8MT | 6.8±20%    | 0.294         | 0.245 | 22                      | 1.70                 | 1.90 | 1.00                  | 1.20 |
| FNR5012S100MT | 10±20%     | 0.413         | 0.344 | 17                      | 1.40                 | 1.50 | 0.85                  | 1.00 |
| FNR5012S150MT | 15±20%     | 0.523         | 0.436 | 13                      | 1.20                 | 1.30 | 0.80                  | 0.92 |
| FNR5012S220MT | 22±20%     | 0.858         | 0.780 | 16                      | 0.88                 | 0.98 | 0.60                  | 0.68 |

## SPECIFICATIONS

### FNR5015S Series

| Part Number   | Inductance    | DC Resistance |       | Self-resonant Frequency | Saturation Current*3 |      | Heat Rating Current*4 |      |
|---------------|---------------|---------------|-------|-------------------------|----------------------|------|-----------------------|------|
|               | @100kHz,0.25V | Max.          | Typ.  | Min.                    | Max.                 | Typ. | Max.                  | Typ. |
| Units         | μH            | Ω             |       | MHz                     | A                    |      | A                     |      |
| Symbol        | L             | DCR           |       | S.R.F                   | Isat                 |      | Irms                  |      |
| FNR5015SR22NT | 0.22±30%      | 0.026         | 0.020 | 284                     | 7.60                 | 9.60 | 3.50                  | 4.00 |
| FNR5015SR68NT | 0.68±30%      | 0.036         | 0.028 | 108                     | 6.00                 | 6.60 | 2.90                  | 3.20 |
| FNR5015S1R0NT | 1.0±30%       | 0.046         | 0.035 | 93                      | 4.50                 | 5.00 | 2.80                  | 3.10 |
| FNR5015S1R5NT | 1.5±30%       | 0.065         | 0.050 | 62                      | 3.50                 | 4.60 | 2.50                  | 2.80 |
| FNR5015S2R2NT | 2.2±30%       | 0.085         | 0.065 | 45                      | 3.00                 | 3.80 | 2.20                  | 2.50 |
| FNR5015S3R3NT | 3.3±30%       | 0.104         | 0.080 | 31                      | 2.50                 | 3.00 | 1.90                  | 2.10 |
| FNR5015S4R7NT | 4.7±30%       | 0.130         | 0.100 | 28                      | 2.10                 | 2.80 | 1.60                  | 1.80 |
| FNR5015S6R8MT | 6.8±20%       | 0.195         | 0.150 | 20                      | 1.65                 | 2.10 | 1.40                  | 1.60 |
| FNR5015S100MT | 10±20%        | 0.260         | 0.200 | 15                      | 1.45                 | 1.60 | 1.20                  | 1.35 |
| FNR5015S150MT | 15±20%        | 0.416         | 0.320 | 12                      | 1.20                 | 1.20 | 0.85                  | 0.96 |
| FNR5015S220MT | 22±20%        | 0.585         | 0.450 | 15                      | 1.00                 | 1.20 | 0.75                  | 0.85 |
| FNR5015S330MT | 33±20%        | 1.010         | 0.780 | 9                       | 0.95                 | 1.10 | 0.58                  | 0.65 |
| FNR5015S470MT | 47±20%        | 1.560         | 1.200 | 6                       | 0.88                 | 0.95 | 0.40                  | 0.45 |
| FNR5015S680MT | 68±20%        | 2.470         | 1.900 | 5                       | 0.72                 | 0.80 | 0.35                  | 0.39 |

### FNR5020S Series

| Part Number   | Inductance | DC Resistance |       | Self-resonant Frequency | Saturation Current*3 |       | Heat Rating Current*4 |      |
|---------------|------------|---------------|-------|-------------------------|----------------------|-------|-----------------------|------|
|               | @100kHz,1V | Max.          | Typ.  | Min.                    | Max.                 | Typ.  | Max.                  | Typ. |
| Units         | μH         | Ω             |       | MHz                     | A                    |       | A                     |      |
| Symbol        | L          | DCR           |       | S.R.F                   | Isat                 |       | Irms                  |      |
| FNR5020SR22NT | 0.22±30%   | 0.011         | 0.009 | 280                     | 9.00                 | 12.00 | 5.30                  | 6.00 |
| FNR5020SR24NT | 0.24±30%   | 0.011         | 0.009 | 248                     | 8.00                 | 10.00 | 5.30                  | 6.00 |
| FNR5020SR47NT | 0.47±30%   | 0.017         | 0.013 | 160                     | 6.15                 | 6.70  | 4.60                  | 5.00 |
| FNR5020SR56NT | 0.56±30%   | 0.022         | 0.017 | 137                     | 8.50                 | 9.60  | 3.80                  | 4.20 |
| FNR5020SR68NT | 0.68±30%   | 0.022         | 0.017 | 120                     | 5.50                 | 6.00  | 4.00                  | 4.40 |
| FNR5020SR75NT | 0.75±30%   | 0.022         | 0.017 | 117                     | 5.50                 | 6.00  | 4.00                  | 4.40 |
| FNR5020S1R0NT | 1.0±30%    | 0.026         | 0.020 | 114                     | 4.10                 | 5.00  | 3.80                  | 4.10 |
| FNR5020S1R2NT | 1.2±30%    | 0.029         | 0.022 | 83                      | 4.50                 | 4.90  | 3.55                  | 3.90 |
| FNR5020S1R5NT | 1.5±30%    | 0.034         | 0.026 | 68                      | 4.10                 | 4.50  | 3.20                  | 3.50 |
| FNR5020S2R2NT | 2.2±30%    | 0.042         | 0.032 | 57                      | 3.20                 | 4.00  | 2.90                  | 3.10 |
| FNR5020S2R7NT | 2.7±30%    | 0.049         | 0.038 | 52                      | 2.90                 | 3.50  | 2.70                  | 2.90 |
| FNR5020S3R0NT | 3.0±30%    | 0.049         | 0.038 | 49                      | 2.55                 | 2.80  | 2.70                  | 2.90 |
| FNR5020S3R3NT | 3.3±30%    | 0.056         | 0.043 | 46                      | 2.55                 | 3.00  | 2.50                  | 2.70 |
| FNR5020S3R6NT | 3.6±30%    | 0.056         | 0.043 | 43                      | 2.80                 | 3.00  | 2.50                  | 2.70 |
| FNR5020S3R9NT | 3.9±30%    | 0.056         | 0.043 | 40                      | 2.30                 | 2.80  | 2.50                  | 2.70 |
| FNR5020S4R3MT | 4.3±20%    | 0.074         | 0.057 | 37                      | 2.50                 | 3.00  | 2.20                  | 2.40 |
| FNR5020S4R7MT | 4.7±20%    | 0.074         | 0.057 | 37                      | 2.50                 | 2.70  | 2.20                  | 2.40 |
| FNR5020S5R1MT | 5.1±20%    | 0.083         | 0.064 | 32                      | 2.25                 | 2.60  | 2.05                  | 2.20 |
| FNR5020S5R6MT | 5.6±20%    | 0.083         | 0.064 | 32                      | 2.30                 | 2.50  | 2.05                  | 2.20 |
| FNR5020S6R8MT | 6.8±20%    | 0.108         | 0.083 | 30                      | 2.05                 | 2.20  | 1.80                  | 1.90 |

## SPECIFICATIONS

### FNR5020S Series

| Part Number   | Inductance | DC Resistance |       | Self-resonant Frequency | Saturation Current*3 |      | Heat Rating Current*4 |      |
|---------------|------------|---------------|-------|-------------------------|----------------------|------|-----------------------|------|
|               | @100kHz,1V | Max.          | Typ.  | Min.                    | Max.                 | Typ. | Max.                  | Typ. |
| Units         | μH         | Ω             |       | MHz                     | A                    |      | A                     |      |
| Symbol        | L          | DCR           |       | S.R.F                   | Isat                 |      | Irms                  |      |
| FNR5020S7R5MT | 7.5±20%    | 0.117         | 0.090 | 26                      | 1.85                 | 2.00 | 1.75                  | 1.90 |
| FNR5020S8R2MT | 8.2±20%    | 0.127         | 0.098 | 26                      | 1.85                 | 2.00 | 1.65                  | 1.80 |
| FNR5020S9R1MT | 9.1±20%    | 0.143         | 0.110 | 24                      | 1.70                 | 1.80 | 1.55                  | 1.70 |
| FNR5020S100MT | 10±20%     | 0.143         | 0.110 | 24                      | 1.70                 | 1.80 | 1.55                  | 1.70 |
| FNR5020S120MT | 12±20%     | 0.182         | 0.140 | 22                      | 1.50                 | 1.60 | 1.40                  | 1.50 |
| FNR5020S150MT | 15±20%     | 0.215         | 0.165 | 20                      | 1.35                 | 1.40 | 1.25                  | 1.30 |
| FNR5020S180MT | 18±20%     | 0.260         | 0.200 | 16                      | 1.25                 | 1.30 | 1.15                  | 1.20 |
| FNR5020S220MT | 22±20%     | 0.294         | 0.226 | 14                      | 1.15                 | 1.20 | 1.10                  | 1.20 |
| FNR5020S330MT | 33±20%     | 0.507         | 0.390 | 10                      | 0.92                 | 1.00 | 0.90                  | 0.99 |
| FNR5020S470MT | 47±20%     | 0.680         | 0.523 | 7                       | 0.77                 | 0.84 | 0.77                  | 0.84 |
| FNR5020S560MT | 56±20%     | 0.819         | 0.630 | 6                       | 0.77                 | 0.84 | 0.70                  | 0.77 |
| FNR5020S680MT | 68±20%     | 0.962         | 0.740 | 6                       | 0.65                 | 0.70 | 0.64                  | 0.70 |
| FNR5020S820MT | 82±20%     | 1.158         | 0.965 | 6                       | 0.65                 | 0.75 | 0.50                  | 0.60 |
| FNR5020S101MT | 100±20%    | 1.430         | 1.100 | 6                       | 0.53                 | 0.58 | 0.53                  | 0.58 |
| FNR5020S121MT | 120±20%    | 1.755         | 1.350 | 6                       | 0.42                 | 0.53 | 0.40                  | 0.50 |
| FNR5020S201MT | 200±20%    | 2.600         | 2.000 | 4.5                     | 0.30                 | 0.33 | 0.40                  | 0.45 |

### FNR5030S Series

| Part Number   | Inductance    | DC Resistance |       | Self-resonant Frequency | Saturation Current*3 |      | Heat Rating Current*4 |      |
|---------------|---------------|---------------|-------|-------------------------|----------------------|------|-----------------------|------|
|               | @100kHz,0.25V | Max.          | Typ.  | Min.                    | Max.                 | Typ. | Max.                  | Typ. |
| Units         | μH            | Ω             |       | MHz                     | A                    |      | A                     |      |
| Symbol        | L             | DCR           |       | S.R.F                   | Isat                 |      | Irms                  |      |
| FNR5030SR47NT | 0.47±30%      | 0.013         | 0.010 | 144                     | 9.00                 | 11.0 | 5.00                  | 5.60 |
| FNR5030S1R0NT | 1.0±30%       | 0.020         | 0.015 | 103                     | 6.65                 | 7.80 | 4.00                  | 4.50 |
| FNR5030S1R5NT | 1.5±30%       | 0.021         | 0.016 | 61                      | 4.80                 | 6.00 | 3.90                  | 4.36 |
| FNR5030S2R2MT | 2.2±20%       | 0.030         | 0.023 | 52                      | 4.20                 | 5.00 | 3.50                  | 3.95 |
| FNR5030S3R3MT | 3.3±20%       | 0.039         | 0.030 | 42                      | 3.60                 | 4.60 | 3.00                  | 3.40 |
| FNR5030S4R7MT | 4.7±20%       | 0.046         | 0.035 | 33                      | 3.10                 | 3.50 | 2.60                  | 2.90 |
| FNR5030S6R8MT | 6.8±20%       | 0.068         | 0.052 | 27                      | 2.50                 | 3.00 | 2.30                  | 2.60 |
| FNR5030S100MT | 10±20%        | 0.091         | 0.070 | 22                      | 1.90                 | 2.30 | 1.70                  | 1.90 |
| FNR5030S150MT | 15±20%        | 0.163         | 0.125 | 18                      | 1.60                 | 1.80 | 1.40                  | 1.60 |
| FNR5030S220MT | 22±20%        | 0.234         | 0.180 | 13                      | 1.40                 | 1.50 | 1.05                  | 1.20 |
| FNR5030S270MT | 27±20%        | 0.247         | 0.190 | 10                      | 1.30                 | 1.40 | 0.90                  | 1.00 |
| FNR5030S330MT | 33±20%        | 0.293         | 0.225 | 9                       | 1.15                 | 1.30 | 0.80                  | 0.90 |
| FNR5030S470MT | 47±20%        | 0.423         | 0.325 | 6                       | 0.95                 | 1.10 | 0.70                  | 0.78 |
| FNR5030S560MT | 56±20%        | 0.546         | 0.420 | 5                       | 0.89                 | 0.92 | 0.65                  | 0.70 |
| FNR5030S680MT | 68±20%        | 0.618         | 0.475 | 5                       | 0.85                 | 0.90 | 0.60                  | 0.76 |
| FNR5030S101MT | 100±20%       | 0.936         | 0.720 | 5                       | 0.58                 | 0.70 | 0.59                  | 0.75 |
| FNR5030S151MT | 150±20%       | 1.370         | 1.050 | 3                       | 0.56                 | 0.68 | 0.55                  | 0.60 |
| FNR5030S221MT | 220±20%       | 1.690         | 1.300 | 3                       | 0.50                 | 0.60 | 0.45                  | 0.51 |

## SPECIFICATIONS

### FNR5040S Series

| Part Number   | Inductance  | DC Resistance |       | Self-resonant Frequency | Saturation Current*3 |       | Heat Rating Current*4 |       |
|---------------|-------------|---------------|-------|-------------------------|----------------------|-------|-----------------------|-------|
|               | @100kHz, 1V | Max.          | Typ.  | Min.                    | Max.                 | Typ.  | Max.                  | Typ.  |
| Units         | μH          | Ω             |       | MHz                     | A                    |       | A                     |       |
| Symbol        | L           | DCR           |       | S.R.F                   | Isat                 |       | Irms                  |       |
| FNR5040SR22MT | 0.22±20%    | 0.008         | 0.006 | 289                     | 18.00                | 20.00 | 6.50                  | 7.50  |
| FNR5040SR24NT | 0.24±30%    | 0.008         | 0.006 | 251                     | 15.70                | 18.00 | 6.40                  | 7.40  |
| FNR5040SR47MT | 0.47±20%    | 0.009         | 0.007 | 171                     | 10.00                | 11.50 | 6.60                  | 7.60  |
| FNR5040S1R0NT | 1.0±30%     | 0.016         | 0.012 | 117                     | 7.35                 | 8.00  | 4.90                  | 5.00  |
| FNR5040S1R2NT | 1.2±30%     | 0.021         | 0.016 | 110                     | 6.50                 | 7.00  | 4.15                  | 4.25  |
| FNR5040S1R5NT | 1.5±30%     | 0.020         | 0.015 | 86                      | 6.30                 | 6.80  | 4.30                  | 4.85  |
| FNR5040S1R8MT | 1.8±20%     | 0.021         | 0.016 | 55                      | 5.50                 | 6.05  | 4.15                  | 4.30  |
| FNR5040S2R2NT | 2.2±30%     | 0.025         | 0.019 | 50                      | 4.90                 | 5.50  | 3.80                  | 4.20  |
| FNR5040S2R7NT | 2.7±30%     | 0.029         | 0.022 | 37                      | 4.30                 | 4.80  | 3.60                  | 4.00  |
| FNR5040S3R0NT | 3.0±30%     | 0.029         | 0.022 | 37                      | 4.15                 | 4.60  | 3.60                  | 4.00  |
| FNR5040S3R3NT | 3.3±30%     | 0.031         | 0.024 | 32                      | 3.95                 | 4.45  | 3.40                  | 3.90  |
| FNR5040S3R6MT | 3.6±20%     | 0.034         | 0.026 | 30                      | 3.80                 | 4.40  | 3.30                  | 3.70  |
| FNR5040S3R9NT | 3.9±30%     | 0.035         | 0.027 | 29                      | 3.55                 | 4.00  | 3.20                  | 3.70  |
| FNR5040S4R7NT | 4.7±30%     | 0.039         | 0.030 | 28                      | 3.50                 | 3.80  | 3.00                  | 3.30  |
| FNR5040S5R6MT | 5.6±20%     | 0.046         | 0.035 | 27                      | 3.00                 | 3.70  | 2.80                  | 3.10  |
| FNR5040S6R8MT | 6.8±20%     | 0.056         | 0.043 | 21                      | 2.90                 | 3.40  | 2.50                  | 2.80  |
| FNR5040S8R2MT | 8.2±20%     | 0.062         | 0.048 | 20                      | 2.70                 | 2.90  | 2.30                  | 2.60  |
| FNR5040S100MT | 10±20%      | 0.083         | 0.064 | 18                      | 2.35                 | 2.70  | 2.10                  | 2.35  |
| FNR5040S120MT | 12±20%      | 0.100         | 0.077 | 14                      | 2.2                  | 2.5   | 2.0                   | 2.1   |
| FNR5040S150MT | 15±20%      | 0.112         | 0.086 | 13                      | 2.00                 | 2.20  | 2.00                  | 2.05  |
| FNR5040S180MT | 18±20%      | 0.155         | 0.119 | 12                      | 1.70                 | 2.00  | 1.45                  | 1.65  |
| FNR5040S220MT | 22±20%      | 0.168         | 0.129 | 11                      | 1.60                 | 1.80  | 1.50                  | 1.60  |
| FNR5040S270MT | 27±20%      | 0.244         | 0.188 | 9.8                     | 1.52                 | 1.75  | 1.10                  | 1.25  |
| FNR5040S330MT | 33±20%      | 0.244         | 0.188 | 9                       | 1.30                 | 1.45  | 1.20                  | 1.35  |
| FNR5040S470MT | 47±20%      | 0.354         | 0.272 | 7                       | 1.10                 | 1.20  | 1.00                  | 1.15  |
| FNR5040S510MT | 51±20%      | 0.494         | 0.380 | 6                       | 1.00                 | 1.20  | 1.00                  | 1.10  |
| FNR5040S560MT | 56±20%      | 0.494         | 0.380 | 6                       | 1.05                 | 1.20  | 0.80                  | 0.90  |
| FNR5040S680MT | 68±20%      | 0.520         | 0.400 | 6                       | 0.90                 | 1.00  | 0.80                  | 0.90  |
| FNR5040S750MT | 75±20%      | 0.585         | 0.450 | 6                       | 0.85                 | 0.95  | 0.72                  | 0.80  |
| FNR5040S101MT | 100±20%     | 0.728         | 0.560 | 5                       | 0.75                 | 0.85  | 0.70                  | 0.78  |
| FNR5040S151MT | 150±20%     | 0.975         | 0.750 | 3.7                     | 0.65                 | 0.67  | 0.60                  | 0.70  |
| FNR5040S221MT | 220±20%     | 1.820         | 1.400 | 3.0                     | 0.48                 | 0.55  | 0.40                  | 0.50  |
| FNR5040S301MT | 300±20%     | 2.600         | 2.000 | 2.7                     | 0.50                 | 0.58  | 0.35                  | 0.40  |
| FNR5040S331MT | 330±20%     | 2.730         | 2.100 | 2.7                     | 0.42                 | 0.47  | 0.40                  | 0.50  |
| FNR5040S471MT | 470±20%     | 3.900         | 3.000 | 2.7                     | 0.37                 | 0.43  | 0.35                  | 0.40  |
| FNR5040S561MT | 560±20%     | 4.920         | 3.780 | 1.3                     | 0.31                 | 0.36  | 0.31                  | 0.35  |
| FNR5040S681MT | 680±20%     | 5.070         | 3.900 | 1.3                     | 0.30                 | 0.35  | 0.25                  | 0.30  |
| FNR5040S102MT | 1000±20%    | 7.800         | 6.000 | 1.3                     | 0.21                 | 0.25  | 0.20                  | 0.23  |
| FNR5040S332MT | 3300±20%    | 25.20         | 21.00 | 0.9                     | 0.140                | 0.150 | 0.100                 | 0.120 |
| FNR5040S392MT | 3900±20%    | 30.55         | 23.50 | 0.8                     | 0.125                | 0.150 | 0.100                 | 0.115 |
| FNR5040S472MT | 4700±20%    | 45.50         | 35.00 | 0.6                     | 0.110                | 0.130 | 0.080                 | 0.100 |
| FNR5040S502MT | 5000±20%    | 43.16         | 35.97 | 0.49                    | 0.110                | 0.130 | 0.085                 | 0.098 |
| FNR5040S562MT | 5600±20%    | 50.70         | 39.00 | 0.49                    | 0.105                | 0.120 | 0.080                 | 0.092 |
| FNR5040S682MT | 6800±20%    | 55.90         | 43.00 | 0.38                    | 0.090                | 0.110 | 0.075                 | 0.086 |
| FNR5040S822MT | 8200±20%    | 55.90         | 43.00 | 0.38                    | 0.070                | 0.085 | 0.075                 | 0.086 |
| FNR5040S103MT | 10000±20%   | 58.50         | 45.00 | 0.32                    | 0.065                | 0.075 | 0.075                 | 0.086 |

## SPECIFICATIONS

### FNR5045S Series

| Part Number   | Inductance | DC Resistance |       | Self-resonant Frequency | Saturation Current*3 |      | Heat Rating Current*4 |      |
|---------------|------------|---------------|-------|-------------------------|----------------------|------|-----------------------|------|
|               | @100kHz,1V | Max.          | Typ.  | Min.                    | Max.                 | Typ. | Max.                  | Typ. |
| Units         | μH         | Ω             |       | MHz                     | A                    |      | A                     |      |
| Symbol        | L          | DCR           |       | S.R.F                   | Isat                 |      | Irms                  |      |
| FNR5045S2R2MT | 2.2±20%    | 0.029         | 0.022 | 50                      | 6.40                 | 7.20 | 4.70                  | 5.40 |
| FNR5045S100MT | 10±20%     | 0.079         | 0.061 | 17                      | 3.20                 | 3.70 | 2.50                  | 2.90 |
| FNR5045S220MT | 22±20%     | 0.163         | 0.125 | 10                      | 2.00                 | 2.35 | 1.55                  | 1.80 |

### FNR6020S Series

| Part Number   | Inductance | DC Resistance |       | Self-resonant Frequency | Saturation Current*3 |      | Heat Rating Current*4 |      |
|---------------|------------|---------------|-------|-------------------------|----------------------|------|-----------------------|------|
|               | @100kHz,1V | Max.          | Typ.  | Min.                    | Max.                 | Typ. | Max.                  | Typ. |
| Units         | μH         | Ω             |       | MHz                     | A                    |      | A                     |      |
| Symbol        | L          | DCR           |       | S.R.F                   | Isat                 |      | Irms                  |      |
| FNR6020SR50NT | 0.50±30%   | 0.018         | 0.014 | 120                     | 4.50                 | 6.00 | 4.00                  | 5.00 |
| FNR6020SR68NT | 0.68±30%   | 0.022         | 0.017 | 115                     | 6.55                 | 7.80 | 3.80                  | 4.80 |
| FNR6020SR82NT | 0.82±30%   | 0.022         | 0.017 | 110                     | 5.30                 | 6.30 | 3.80                  | 4.80 |
| FNR6020S1R0NT | 1.0±30%    | 0.020         | 0.020 | 100                     | 4.15                 | 5.00 | 3.50                  | 4.40 |
| FNR6020S1R2NT | 1.2±30%    | 0.029         | 0.022 | 88                      | 5.90                 | 7.00 | 3.20                  | 4.00 |
| FNR6020S1R5NT | 1.5±30%    | 0.029         | 0.022 | 79                      | 4.25                 | 5.10 | 3.20                  | 4.00 |
| FNR6020S1R8NT | 1.8±30%    | 0.036         | 0.028 | 68                      | 4.85                 | 5.80 | 2.75                  | 3.50 |
| FNR6020S2R0NT | 2.0±30%    | 0.046         | 0.035 | 65                      | 4.10                 | 4.90 | 2.60                  | 3.30 |
| FNR6020S2R2NT | 2.2±30%    | 0.036         | 0.028 | 61                      | 3.75                 | 4.50 | 2.75                  | 3.50 |
| FNR6020S2R7NT | 2.7±30%    | 0.046         | 0.035 | 56                      | 3.90                 | 4.60 | 2.60                  | 3.30 |
| FNR6020S3R3NT | 3.3±30%    | 0.046         | 0.035 | 51                      | 3.15                 | 3.70 | 2.60                  | 3.30 |
| FNR6020S3R9NT | 3.9±30%    | 0.064         | 0.049 | 45                      | 3.25                 | 3.90 | 2.10                  | 2.60 |
| FNR6020S4R3NT | 4.3±30%    | 0.064         | 0.049 | 44                      | 2.70                 | 3.20 | 2.10                  | 2.60 |
| FNR6020S4R7NT | 4.7±30%    | 0.075         | 0.058 | 41                      | 3.00                 | 3.60 | 2.00                  | 2.50 |
| FNR6020S5R6NT | 5.6±30%    | 0.075         | 0.058 | 36                      | 2.40                 | 2.90 | 1.90                  | 2.40 |
| FNR6020S6R2NT | 6.2±30%    | 0.103         | 0.079 | 31                      | 2.30                 | 2.70 | 1.80                  | 2.30 |
| FNR6020S6R8NT | 6.8±30%    | 0.103         | 0.079 | 31                      | 2.20                 | 2.60 | 1.80                  | 2.30 |
| FNR6020S8R2NT | 8.2±30%    | 0.137         | 0.105 | 27                      | 2.10                 | 2.50 | 1.40                  | 1.80 |
| FNR6020S100MT | 10±20%     | 0.137         | 0.105 | 27                      | 1.75                 | 2.10 | 1.40                  | 1.80 |
| FNR6020S120MT | 12±20%     | 0.156         | 0.120 | 25                      | 1.45                 | 1.70 | 1.30                  | 1.60 |
| FNR6020S150MT | 15±20%     | 0.189         | 0.145 | 21                      | 1.20                 | 1.40 | 1.20                  | 1.50 |
| FNR6020S180MT | 18±20%     | 0.234         | 0.180 | 18                      | 1.20                 | 1.40 | 1.08                  | 1.40 |
| FNR6020S220MT | 22±20%     | 0.265         | 0.204 | 16                      | 1.05                 | 1.20 | 1.00                  | 1.30 |
| FNR6020S330MT | 33±20%     | 0.390         | 0.300 | 11                      | 0.95                 | 1.10 | 0.84                  | 1.05 |
| FNR6020S470MT | 47±20%     | 0.559         | 0.430 | 10                      | 0.70                 | 0.90 | 0.80                  | 0.90 |
| FNR6020S331MT | 330±20%    | 3.419         | 2.630 | 3                       | 0.27                 | 0.33 | 0.33                  | 0.39 |

### FNR6028S Series

| Part Number   | Inductance | DC Resistance |       | Self-resonant Frequency | Saturation Current*3 |      | Heat Rating Current*4 |      |
|---------------|------------|---------------|-------|-------------------------|----------------------|------|-----------------------|------|
|               | @100kHz,1V | Max.          | Typ.  | Min.                    | Max.                 | Typ. | Max.                  | Typ. |
| Units         | μH         | Ω             |       | MHz                     | A                    |      | A                     |      |
| Symbol        | L          | DCR           |       | S.R.F                   | Isat                 |      | Irms                  |      |
| FNR6028SR82NT | 0.82±30%   | 0.016         | 0.012 | 97                      | 6.50                 | 9.00 | 5.20                  | 6.00 |
| FNR6028S1R0NT | 1.0±30%    | 0.013         | 0.010 | 70                      | 5.75                 | 7.00 | 5.20                  | 5.70 |
| FNR6028S1R2NT | 1.2±30%    | 0.017         | 0.013 | 69                      | 6.40                 | 7.50 | 4.58                  | 5.00 |
| FNR6028S1R5NT | 1.5±30%    | 0.017         | 0.013 | 65                      | 6.00                 | 6.60 | 4.58                  | 5.00 |
| FNR6028S2R2NT | 2.2±30%    | 0.026         | 0.020 | 48                      | 5.10                 | 5.60 | 3.75                  | 4.10 |
| FNR6028S2R7NT | 2.7±30%    | 0.026         | 0.020 | 48                      | 3.80                 | 4.10 | 3.75                  | 4.10 |

Specifications subject to change without notice. Please check our website for latest informations.



## SPECIFICATIONS

### FNR6028S Series

| Part Number   | Inductance  | DC Resistance |       | Self-resonant Frequency | Saturation Current*3 |      | Heat Rating Current*4 |      |
|---------------|-------------|---------------|-------|-------------------------|----------------------|------|-----------------------|------|
|               | @100kHz, 1V | Max.          | Typ.  | Min.                    | Max.                 | Typ. | Max.                  | Typ. |
| Units         | μH          | Ω             |       | MHz                     | A                    |      | A                     |      |
| Symbol        | L           | DCR           |       | S.R.F                   | Isat                 |      | Irms                  |      |
| FNR6028S3R3NT | 3.3±30%     | 0.033         | 0.025 | 41                      | 4.15                 | 4.50 | 3.48                  | 3.80 |
| FNR6028S4R7NT | 4.7±30%     | 0.039         | 0.030 | 35                      | 3.00                 | 3.30 | 3.08                  | 3.40 |
| FNR6028S5R1NT | 5.1±30%     | 0.056         | 0.043 | 32                      | 3.20                 | 3.50 | 2.60                  | 2.80 |
| FNR6028S6R2MT | 6.2±20%     | 0.061         | 0.047 | 30                      | 3.05                 | 3.30 | 2.40                  | 2.60 |
| FNR6028S6R8MT | 6.8±20%     | 0.061         | 0.047 | 27                      | 2.60                 | 3.00 | 2.40                  | 2.60 |
| FNR6028S8R2MT | 8.2±20%     | 0.072         | 0.055 | 24                      | 2.30                 | 2.50 | 2.25                  | 2.50 |
| FNR6028S9R1MT | 9.1±20%     | 0.096         | 0.074 | 24                      | 2.55                 | 2.80 | 2.15                  | 2.40 |
| FNR6028S100MT | 10±20%      | 0.094         | 0.072 | 23                      | 2.04                 | 2.50 | 1.95                  | 2.40 |
| FNR6028S120MT | 12±20%      | 0.104         | 0.080 | 18                      | 1.80                 | 2.00 | 1.85                  | 2.00 |
| FNR6028S150MT | 15±20%      | 0.163         | 0.125 | 18                      | 1.75                 | 1.90 | 1.45                  | 1.60 |
| FNR6028S180MT | 18±20%      | 0.156         | 0.120 | 15                      | 1.52                 | 1.80 | 1.45                  | 1.60 |
| FNR6028S220MT | 22±20%      | 0.182         | 0.140 | 14                      | 1.45                 | 1.80 | 1.40                  | 1.60 |
| FNR6028S270MT | 27±20%      | 0.202         | 0.155 | 13                      | 1.50                 | 1.60 | 1.32                  | 1.40 |
| FNR6028S330MT | 33±20%      | 0.241         | 0.185 | 12                      | 1.35                 | 1.50 | 1.22                  | 1.30 |
| FNR6028S360MT | 36±20%      | 0.280         | 0.215 | 11                      | 1.25                 | 1.40 | 1.13                  | 1.20 |
| FNR6028S390MT | 39±20%      | 0.293         | 0.225 | 11                      | 1.25                 | 1.40 | 1.10                  | 1.20 |
| FNR6028S470MT | 47±20%      | 0.410         | 0.315 | 9.5                     | 1.15                 | 1.30 | 1.06                  | 1.10 |
| FNR6028S560MT | 56±20%      | 0.449         | 0.345 | 8.2                     | 1.05                 | 1.20 | 0.89                  | 1.00 |
| FNR6028S680MT | 68±20%      | 0.468         | 0.360 | 7.7                     | 0.80                 | 0.95 | 0.86                  | 0.95 |
| FNR6028S750MT | 75±20%      | 0.533         | 0.410 | 7.7                     | 0.90                 | 0.99 | 0.81                  | 0.90 |
| FNR6028S820MT | 82±20%      | 0.650         | 0.500 | 7.7                     | 0.80                 | 0.88 | 0.70                  | 0.77 |
| FNR6028S101MT | 100±20%     | 0.650         | 0.500 | 7.1                     | 0.65                 | 0.71 | 0.70                  | 0.77 |
| FNR6028S401MT | 400±20%     | 2.808         | 2.160 | 2.8                     | 0.30                 | 0.33 | 0.40                  | 0.45 |
| FNR6028S102MT | 1000±20%    | 7.540         | 5.800 | 1.5                     | 0.18                 | 0.22 | 0.23                  | 0.26 |

### FNR6040S Series

| Part Number   | Inductance  | DC Resistance |       | Self-resonant Frequency | Saturation Current*3 |      | Heat Rating Current*4 |      |
|---------------|-------------|---------------|-------|-------------------------|----------------------|------|-----------------------|------|
|               | @100kHz, 1V | Max.          | Typ.  | Min.                    | Max.                 | Typ. | Max.                  | Typ. |
| Units         | μH          | Ω             |       | MHz                     | A                    |      | A                     |      |
| Symbol        | L           | DCR           |       | S.R.F                   | Isat                 |      | Irms                  |      |
| FNR6040S1R0MT | 1.0±20%     | 0.010         | 0.008 | 97                      | 7.85                 | 9.05 | 6.30                  | 7.20 |
| FNR6040S100MT | 10±20%      | 0.062         | 0.048 | 16                      | 3.20                 | 3.50 | 2.45                  | 2.80 |
| FNR6040S120MT | 12±20%      | 0.075         | 0.058 | 14                      | 2.80                 | 3.25 | 2.20                  | 2.55 |
| FNR6040S150MT | 15±20%      | 0.088         | 0.068 | 13                      | 2.50                 | 3.00 | 2.05                  | 2.35 |
| FNR6040S220MT | 22±20%      | 0.116         | 0.089 | 10                      | 2.05                 | 2.50 | 1.80                  | 2.05 |
| FNR6040S330MT | 33±20%      | 0.178         | 0.137 | 9.9                     | 1.65                 | 2.00 | 1.45                  | 1.65 |
| FNR6040S680MT | 68±20%      | 0.370         | 0.285 | 5.6                     | 1.15                 | 1.40 | 0.95                  | 1.10 |
| FNR6040S471MT | 470±20%     | 2.500         | 1.790 | 2.0                     | 0.42                 | 0.50 | 0.47                  | 0.55 |

## SPECIFICATIONS

### FNR6045S Series

| Part Number   | Inductance | DC Resistance |       | Self-resonant Frequency | Saturation Current*3 |       | Heat Rating Current*4 |      |
|---------------|------------|---------------|-------|-------------------------|----------------------|-------|-----------------------|------|
|               | @100kHz,1V | Max.          | Typ.  | Min.                    | Max.                 | Typ.  | Max.                  | Typ. |
| Units         | μH         | Ω             |       | MHz                     | A                    |       | A                     |      |
| Symbol        | L          | DCR           |       | S.R.F                   | Isat                 |       | Irms                  |      |
| FNR6045SR47NT | 0.47±30%   | 0.008         | 0.006 | 155                     | 15.00                | 16.50 | 6.50                  | 6.60 |
| FNR6045SR56NT | 0.56±30%   | 0.008         | 0.006 | 142                     | 14.00                | 15.00 | 6.50                  | 7.50 |
| FNR6045SR68NT | 0.68±30%   | 0.008         | 0.006 | 99                      | 11.00                | 12.00 | 5.70                  | 6.50 |
| FNR6045SR82NT | 0.82±30%   | 0.010         | 0.008 | 140                     | 10.35                | 11.00 | 5.90                  | 6.50 |
| FNR6045S1R0NT | 1.0±30%    | 0.014         | 0.011 | 100                     | 9.85                 | 10.00 | 5.14                  | 5.60 |
| FNR6045S1R2NT | 1.2±30%    | 0.013         | 0.010 | 100                     | 8.35                 | 9.10  | 5.40                  | 5.90 |
| FNR6045S1R3NT | 1.3±30%    | 0.013         | 0.010 | 100                     | 8.35                 | 9.10  | 5.40                  | 5.90 |
| FNR6045S1R5NT | 1.5±30%    | 0.016         | 0.012 | 65                      | 8.80                 | 9.70  | 4.95                  | 5.40 |
| FNR6045S1R8NT | 1.8±30%    | 0.016         | 0.012 | 74                      | 7.60                 | 8.40  | 4.95                  | 5.40 |
| FNR6045S2R2NT | 2.2±30%    | 0.018         | 0.014 | 52                      | 6.75                 | 7.40  | 4.60                  | 5.00 |
| FNR6045S2R3NT | 2.3±30%    | 0.027         | 0.021 | 60                      | 6.00                 | 6.60  | 3.50                  | 3.80 |
| FNR6045S2R7NT | 2.7±30%    | 0.020         | 0.015 | 38                      | 5.75                 | 6.30  | 4.30                  | 4.70 |
| FNR6045S3R0NT | 3.0±30%    | 0.026         | 0.020 | 35                      | 5.60                 | 6.20  | 3.80                  | 4.20 |
| FNR6045S3R3NT | 3.3±30%    | 0.027         | 0.021 | 32                      | 5.90                 | 6.20  | 3.70                  | 4.00 |
| FNR6045S3R6NT | 3.6±30%    | 0.027         | 0.021 | 28                      | 5.25                 | 5.70  | 3.70                  | 4.00 |
| FNR6045S4R3MT | 4.3±20%    | 0.030         | 0.023 | 23                      | 4.45                 | 4.90  | 3.50                  | 3.80 |
| FNR6045S4R5MT | 4.5±20%    | 0.034         | 0.026 | 24                      | 4.97                 | 5.50  | 3.30                  | 3.60 |
| FNR6045S4R7MT | 4.7±20%    | 0.034         | 0.026 | 24                      | 4.97                 | 5.50  | 3.30                  | 3.60 |
| FNR6045S5R1MT | 5.1±20%    | 0.034         | 0.026 | 23                      | 4.40                 | 4.80  | 3.30                  | 3.60 |
| FNR6045S5R6MT | 5.6±20%    | 0.038         | 0.029 | 23                      | 4.15                 | 4.60  | 3.15                  | 3.40 |
| FNR6045S6R2MT | 6.2±20%    | 0.040         | 0.031 | 26                      | 4.43                 | 4.80  | 3.00                  | 3.30 |
| FNR6045S6R3MT | 6.3±20%    | 0.040         | 0.031 | 26                      | 4.43                 | 4.70  | 3.00                  | 3.30 |
| FNR6045S6R8MT | 6.8±20%    | 0.040         | 0.031 | 20                      | 3.90                 | 4.30  | 3.00                  | 3.30 |
| FNR6045S7R5MT | 7.5±20%    | 0.044         | 0.034 | 18                      | 3.50                 | 3.80  | 2.90                  | 3.20 |
| FNR6045S8R2MT | 8.2±20%    | 0.056         | 0.043 | 21                      | 3.90                 | 4.30  | 2.60                  | 2.80 |
| FNR6045S9R1MT | 9.1±20%    | 0.056         | 0.043 | 17                      | 3.35                 | 3.70  | 2.60                  | 2.80 |
| FNR6045S100MT | 10±20%     | 0.062         | 0.048 | 15                      | 3.20                 | 3.50  | 2.45                  | 2.70 |
| FNR6045S120MT | 12±20%     | 0.075         | 0.058 | 13                      | 2.80                 | 3.00  | 2.20                  | 2.40 |
| FNR6045S150MT | 15±20%     | 0.088         | 0.068 | 12                      | 2.50                 | 2.70  | 2.05                  | 2.20 |
| FNR6045S180MT | 18±20%     | 0.105         | 0.081 | 10                      | 2.20                 | 2.40  | 1.85                  | 2.00 |
| FNR6045S220MT | 22±20%     | 0.116         | 0.089 | 10                      | 2.05                 | 2.20  | 1.80                  | 2.00 |
| FNR6045S270MT | 27±20%     | 0.133         | 0.102 | 9.2                     | 1.90                 | 2.10  | 1.65                  | 1.80 |
| FNR6045S300MT | 30±20%     | 0.172         | 0.132 | 7.8                     | 1.70                 | 1.80  | 1.50                  | 1.60 |
| FNR6045S330MT | 33±20%     | 0.178         | 0.137 | 7.8                     | 1.65                 | 1.80  | 1.45                  | 1.60 |
| FNR6045S360MT | 36±20%     | 0.225         | 0.173 | 7.8                     | 1.62                 | 1.80  | 1.40                  | 1.50 |
| FNR6045S390MT | 39±20%     | 0.234         | 0.180 | 7.8                     | 1.50                 | 1.60  | 1.25                  | 1.40 |
| FNR6045S430MT | 43±20%     | 0.260         | 0.200 | 7.7                     | 1.63                 | 1.80  | 1.20                  | 1.30 |
| FNR6045S470MT | 47±20%     | 0.260         | 0.200 | 6.4                     | 1.40                 | 1.50  | 1.20                  | 1.30 |
| FNR6045S510MT | 51±20%     | 0.269         | 0.207 | 6.4                     | 1.35                 | 1.50  | 1.15                  | 1.20 |
| FNR6045S560MT | 56±20%     | 0.287         | 0.221 | 6.4                     | 1.30                 | 1.40  | 1.10                  | 1.20 |
| FNR6045S620MT | 62±20%     | 0.306         | 0.235 | 6.4                     | 1.25                 | 1.40  | 1.10                  | 1.20 |
| FNR6045S680MT | 68±20%     | 0.376         | 0.289 | 6.4                     | 1.20                 | 1.30  | 1.00                  | 1.10 |
| FNR6045S750MT | 75±20%     | 0.397         | 0.305 | 5                       | 1.15                 | 1.20  | 0.95                  | 1.00 |
| FNR6045S820MT | 82±20%     | 0.443         | 0.341 | 4.9                     | 1.05                 | 1.10  | 0.90                  | 0.99 |
| FNR6045S910MT | 91±20%     | 0.467         | 0.359 | 4.9                     | 1.00                 | 1.10  | 0.85                  | 0.94 |
| FNR6045S101MT | 100±20%    | 0.563         | 0.433 | 4.2                     | 0.95                 | 1.00  | 0.80                  | 0.88 |
| FNR6045S121MT | 120±20%    | 0.629         | 0.484 | 4.2                     | 0.85                 | 0.94  | 0.77                  | 0.85 |
| FNR6045S151MT | 150±20%    | 0.754         | 0.580 | 4.2                     | 0.80                 | 0.88  | 0.70                  | 0.77 |
| FNR6045S221MT | 220±20%    | 1.084         | 0.834 | 3.5                     | 0.70                 | 0.77  | 0.59                  | 0.65 |

Specifications subject to change without notice. Please check our website for latest informations.

## SPECIFICATIONS

### FNR6045S Series

| Part Number   | Inductance  | DC Resistance |       | Self-resonant Frequency | Saturation Current*3 |      | Heat Rating Current*4 |      |
|---------------|-------------|---------------|-------|-------------------------|----------------------|------|-----------------------|------|
|               | @100kHz, 1V | Max.          | Typ.  | Min.                    | Max.                 | Typ. | Max.                  | Typ. |
| Units         | μH          | Ω             |       | MHz                     | A                    |      | A                     |      |
| Symbol        | L           | DCR           |       | S.R.F                   | Isat                 |      | Irms                  |      |
| FNR6045S331MT | 330±20%     | 1.651         | 1.270 | 2.8                     | 0.57                 | 0.63 | 0.57                  | 0.63 |
| FNR6045S471MT | 470±20%     | 2.340         | 1.800 | 2.0                     | 0.50                 | 0.56 | 0.42                  | 0.48 |
| FNR6045S681MT | 680±20%     | 3.250         | 2.500 | 1.7                     | 0.42                 | 0.46 | 0.33                  | 0.38 |
| FNR6045S102MT | 1000±20%    | 5.850         | 4.500 | 0.5                     | 0.30                 | 0.35 | 0.30                  | 0.35 |
| FNR6045S152MT | 1500±20%    | 8.450         | 6.500 | 0.8                     | 0.24                 | 0.27 | 0.21                  | 0.24 |
| FNR6045S222KT | 2200±10%    | 12.48         | 10.40 | 0.9                     | 0.20                 | 0.23 | 0.17                  | 0.20 |
| FNR6045S332KT | 3300±10%    | 15.96         | 13.30 | 0.7                     | 0.17                 | 0.20 | 0.15                  | 0.17 |
| FNR6045S472KT | 4700±10%    | 23.70         | 19.75 | 0.6                     | 0.15                 | 0.17 | 0.12                  | 0.14 |
| FNR6045S682KT | 6800±10%    | 40.20         | 33.50 | 0.5                     | 0.12                 | 0.14 | 0.09                  | 0.11 |
| FNR6045S103KT | 10000±10%   | 46.68         | 38.90 | 0.4                     | 0.10                 | 0.12 | 0.08                  | 0.10 |
| FNR6045S123KT | 12000±10%   | 74.40         | 62.00 | 0.4                     | 0.09                 | 0.11 | 0.07                  | 0.08 |
| FNR6045S153KT | 15000±10%   | 84.00         | 70.00 | 0.4                     | 0.09                 | 0.10 | 0.06                  | 0.07 |

### FNR8040S Series

| Part Number   | Inductance  | DC Resistance |       | Self-resonant Frequency | Saturation Current*3 |       | Heat Rating Current*4 |      |
|---------------|-------------|---------------|-------|-------------------------|----------------------|-------|-----------------------|------|
|               | @100kHz, 1V | Max.          | Typ.  | Min.                    | Max.                 | Typ.  | Max.                  | Typ. |
| Units         | μH          | Ω             |       | MHz                     | A                    |       | A                     |      |
| Symbol        | L           | DCR           |       | S.R.F                   | Isat                 |       | Irms                  |      |
| FNR8040SR82NT | 0.82±30%    | 0.010         | 0.008 | 94                      | 13.80                | 16.00 | 6.30                  | 6.90 |
| FNR8040S1R0NT | 1.0±30%     | 0.010         | 0.008 | 89                      | 9.85                 | 14.00 | 6.30                  | 6.90 |
| FNR8040S1R2NT | 1.2±30%     | 0.013         | 0.010 | 59                      | 10.00                | 14.00 | 5.65                  | 6.20 |
| FNR8040S1R5NT | 1.5±30%     | 0.013         | 0.010 | 67                      | 8.15                 | 11.00 | 5.65                  | 6.20 |
| FNR8040S2R0NT | 2.0±30%     | 0.016         | 0.012 | 43                      | 9.25                 | 10.00 | 5.15                  | 5.60 |
| FNR8040S2R2NT | 2.2±30%     | 0.016         | 0.012 | 41                      | 7.10                 | 8.00  | 5.15                  | 5.60 |
| FNR8040S3R0NT | 3.0±30%     | 0.018         | 0.014 | 32                      | 6.10                 | 7.00  | 4.70                  | 5.20 |
| FNR8040S3R3NT | 3.3±30%     | 0.022         | 0.017 | 27                      | 6.50                 | 7.00  | 4.40                  | 4.80 |
| FNR8040S3R6NT | 3.6±30%     | 0.022         | 0.017 | 30                      | 7.52                 | 8.50  | 4.35                  | 4.80 |
| FNR8040S3R9NT | 3.9±30%     | 0.022         | 0.017 | 26                      | 5.75                 | 6.50  | 4.35                  | 4.80 |
| FNR8040S4R7NT | 4.7±30%     | 0.025         | 0.019 | 24                      | 5.90                 | 6.50  | 4.10                  | 4.50 |
| FNR8040S5R1NT | 5.1±30%     | 0.025         | 0.019 | 22                      | 4.70                 | 5.40  | 4.05                  | 4.40 |
| FNR8040S5R6NT | 5.6±30%     | 0.027         | 0.021 | 24                      | 6.00                 | 6.90  | 3.85                  | 4.20 |
| FNR8040S6R2NT | 6.2±30%     | 0.027         | 0.021 | 20                      | 4.45                 | 5.10  | 3.85                  | 4.20 |
| FNR8040S6R8MT | 6.8±20%     | 0.031         | 0.024 | 20                      | 4.55                 | 5.20  | 3.60                  | 4.00 |
| FNR8040S8R2MT | 8.2±20%     | 0.034         | 0.026 | 17                      | 4.20                 | 4.80  | 3.45                  | 3.80 |
| FNR8040S100MT | 10±20%      | 0.038         | 0.029 | 15                      | 3.60                 | 4.10  | 3.30                  | 3.60 |
| FNR8040S120MT | 12±20%      | 0.053         | 0.041 | 13                      | 3.50                 | 4.00  | 2.80                  | 3.00 |
| FNR8040S150MT | 15±20%      | 0.061         | 0.047 | 12                      | 2.95                 | 3.40  | 2.60                  | 2.80 |
| FNR8040S180MT | 18±20%      | 0.069         | 0.053 | 11                      | 2.70                 | 3.10  | 2.40                  | 2.60 |
| FNR8040S220MT | 22±20%      | 0.090         | 0.069 | 9.5                     | 2.40                 | 2.70  | 2.10                  | 2.30 |
| FNR8040S270MT | 27±20%      | 0.101         | 0.078 | 9.2                     | 2.15                 | 2.50  | 2.00                  | 2.20 |
| FNR8040S330MT | 33±20%      | 0.126         | 0.097 | 7.8                     | 2.05                 | 2.40  | 1.80                  | 2.00 |
| FNR8040S360MT | 36±20%      | 0.133         | 0.102 | 7.8                     | 2.00                 | 2.30  | 1.75                  | 1.90 |
| FNR8040S390MT | 39±20%      | 0.139         | 0.107 | 7.8                     | 1.95                 | 2.20  | 1.70                  | 1.90 |
| FNR8040S430MT | 43±20%      | 0.147         | 0.113 | 7.8                     | 1.90                 | 2.20  | 1.65                  | 1.80 |
| FNR8040S470MT | 47±20%      | 0.177         | 0.136 | 6.4                     | 1.75                 | 2.00  | 1.55                  | 1.70 |
| FNR8040S510MT | 51±20%      | 0.185         | 0.142 | 6.4                     | 1.70                 | 1.90  | 1.50                  | 1.60 |

## SPECIFICATIONS

### FNR8040S Series

| Part Number   | Inductance | DC Resistance |       | Self-resonant Frequency | Saturation Current*3 |      | Heat Rating Current*4 |      |
|---------------|------------|---------------|-------|-------------------------|----------------------|------|-----------------------|------|
|               | @100kHz,1V | Max.          | Typ.  | Min.                    | Max.                 | Typ. | Max.                  | Typ. |
| Units         | μH         | Ω             |       | MHz                     | A                    |      | A                     |      |
| Symbol        | L          | DCR           |       | S.R.F                   | Isat                 |      | Irms                  |      |
| FNR8040S620MT | 62±20%     | 0.237         | 0.182 | 6.4                     | 1.50                 | 1.60 | 1.30                  | 1.40 |
| FNR8040S680MT | 68±20%     | 0.255         | 0.196 | 4.9                     | 1.45                 | 1.60 | 1.25                  | 1.40 |
| FNR8040S750MT | 75±20%     | 0.274         | 0.211 | 4.9                     | 1.35                 | 1.50 | 1.20                  | 1.30 |
| FNR8040S820MT | 82±20%     | 0.293         | 0.225 | 5.9                     | 1.30                 | 1.40 | 1.15                  | 1.20 |
| FNR8040S910MT | 91±20%     | 0.354         | 0.272 | 4.9                     | 1.20                 | 1.30 | 1.05                  | 1.10 |
| FNR8040S101MT | 100±20%    | 0.377         | 0.290 | 4.2                     | 1.15                 | 1.30 | 1.00                  | 1.10 |
| FNR8040S121MT | 120±20%    | 0.434         | 0.334 | 3.5                     | 1.05                 | 1.10 | 0.95                  | 1.00 |
| FNR8040S151MT | 150±20%    | 0.533         | 0.410 | 3.5                     | 1.10                 | 1.20 | 0.85                  | 0.94 |
| FNR8040S181MT | 180±20%    | 0.676         | 0.520 | 3.5                     | 0.95                 | 1.15 | 0.83                  | 0.92 |
| FNR8040S221MT | 220±20%    | 0.779         | 0.599 | 3.5                     | 0.85                 | 0.94 | 0.80                  | 0.88 |
| FNR8040S331MT | 330±20%    | 1.156         | 0.889 | 2.8                     | 0.68                 | 0.75 | 0.64                  | 0.70 |
| FNR8040S471MT | 470±20%    | 1.625         | 1.260 | 2.1                     | 0.60                 | 0.70 | 0.50                  | 0.60 |
| FNR8040S681MT | 680±20%    | 2.652         | 2.040 | 1.7                     | 0.50                 | 0.60 | 0.45                  | 0.50 |
| FNR8040S102MT | 1000±20%   | 3.640         | 2.800 | 1.4                     | 0.40                 | 0.50 | 0.35                  | 0.40 |
| FNR8040S152MT | 1500±20%   | 6.500         | 5.000 | 1.0                     | 0.32                 | 0.38 | 0.26                  | 0.27 |

### FNR8050S Series

| Part Number    | Inductance | DC Resistance |       | Self-resonant Frequency | Saturation Current*3 |      | Heat Rating Current*4 |      |
|----------------|------------|---------------|-------|-------------------------|----------------------|------|-----------------------|------|
|                | @100kHz,1V | Max.          | Typ.  | Min.                    | Max.                 | Typ. | Max.                  | Typ. |
| Units          | μH         | Ω             |       | MHz                     | A                    |      | A                     |      |
| Symbol         | L          | DCR           |       | S.R.F                   | Isat                 |      | Irms                  |      |
| FNR8050S102MT  | 1000±20%   | 2.52          | 2.10  | 1.5                     | 0.32                 | 0.35 | 0.33                  | 0.35 |
| FNR8050S103MT* | 10000±20%  | 22.80         | 19.00 | 0.35                    | 0.09                 | 0.10 | 0.11                  | 0.13 |

\*The test frequency of FNR8050S103MT is 1KHz.

### FNR8065S Series

| Part Number   | Inductance | DC Resistance |       | Self-resonant Frequency | Saturation Current*3 |       | Heat Rating Current*4 |      |
|---------------|------------|---------------|-------|-------------------------|----------------------|-------|-----------------------|------|
|               | @100kHz,1V | Max.          | Typ.  | Min.                    | Max.                 | Typ.  | Max.                  | Typ. |
| Units         | μH         | Ω             |       | MHz                     | A                    |       | A                     |      |
| Symbol        | L          | DCR           |       | S.R.F                   | Isat                 |       | Irms                  |      |
| FNR8065S1R0MT | 1.0±20%    | 0.011         | 0.008 | 96                      | 20.0                 | 22.0  | 7.00                  | 8.00 |
| FNR8065S3R3MT | 3.3±20%    | 0.018         | 0.015 | 27                      | 9.50                 | 10.00 | 5.10                  | 5.90 |
| FNR8065S4R7MT | 4.7±20%    | 0.022         | 0.018 | 18                      | 8.50                 | 9.50  | 4.70                  | 5.40 |
| FNR8065S5R6MT | 5.6±20%    | 0.026         | 0.022 | 17                      | 8.00                 | 9.00  | 4.50                  | 5.20 |
| FNR8065S6R8MT | 6.8±20%    | 0.026         | 0.022 | 16                      | 7.50                 | 8.00  | 4.50                  | 5.20 |
| FNR8065S8R2MT | 8.2±20%    | 0.031         | 0.026 | 15                      | 7.00                 | 7.70  | 4.20                  | 4.80 |
| FNR8065S100MT | 10±20%     | 0.044         | 0.037 | 13                      | 8.00                 | 8.90  | 3.20                  | 3.70 |
| FNR8065S220MT | 22±20%     | 0.065         | 0.054 | 8                       | 4.30                 | 4.80  | 2.85                  | 3.30 |
| FNR8065S431MT | 430±20%    | 1.200         | 1.000 | 1.5                     | 0.95                 | 1.05  | 0.61                  | 0.69 |
| FNR8065S102MT | 1000±20%   | 2.820         | 2.350 | 1.1                     | 0.65                 | 0.73  | 0.40                  | 0.45 |
| FNR8065S152MT | 1500±20%   | 4.380         | 3.650 | 0.7                     | 0.54                 | 0.60  | 0.32                  | 0.37 |
| FNR8065S222MT | 2200±20%   | 6.000         | 5.000 | 0.7                     | 0.45                 | 0.51  | 0.27                  | 0.31 |
| FNR8065S332MT | 3300±20%   | 8.760         | 7.300 | 0.7                     | 0.36                 | 0.40  | 0.23                  | 0.26 |

## SPECIFICATIONS

### FNR8065S Series

| Part Number   | Inductance      | DC Resistance |       | Self-resonant Frequency | Saturation Current*3 |      | Heat Rating Current*4 |      |
|---------------|-----------------|---------------|-------|-------------------------|----------------------|------|-----------------------|------|
|               | @100kHz, 1V     | Max.          | Typ.  | Min.                    | Max.                 | Typ. | Max.                  | Typ. |
| Units         | $\mu\text{H}$   | $\Omega$      |       | MHz                     | A                    |      | A                     |      |
| Symbol        | L               | DCR           |       | S.R.F                   | Isat                 |      | Irms                  |      |
| FNR8065S472MT | 4700 $\pm$ 20%  | 14.58         | 12.15 | 0.4                     | 0.29                 | 0.33 | 0.18                  | 0.20 |
| FNR8065S682MT | 6800 $\pm$ 20%  | 22.44         | 18.70 | 0.4                     | 0.26                 | 0.29 | 0.14                  | 0.16 |
| FNR8065S103MT | 10000 $\pm$ 20% | 27.36         | 22.80 | 0.4                     | 0.20                 | 0.23 | 0.13                  | 0.15 |

※1: All test data is referenced to 20°C ambient;

※2: Rated current: Isat or Irms, whichever is smaller;

※\*3: Isat: DC current at which the inductance drops approximate 30% from its value without current;

※\*4: Irms: DC current that causes the temperature rise ( $\Delta T = 40^\circ\text{C}$ ) from 20°C ambient.

## TYPICAL ELECTRICAL CHARACTERISTICS

### FNR252010S Series

Temperature vs. DC Current Characteristics



Inductance vs. DC Current Characteristics



### FNR252012S Series

Temperature vs. DC Current Characteristics



Inductance vs. DC Current Characteristics



## X-ON Electronics

Largest Supplier of Electrical and Electronic Components

*Click to view similar products for [Fixed Inductors](#) category:*

*Click to view products by [Changjiang Microelectronics](#) manufacturer:*

Other Similar products are found below :

[CR32NP-100KC](#) [CR32NP-151KC](#) [CR32NP-180KC](#) [CR32NP-181KC](#) [CR32NP-1R5MC](#) [CR32NP-390KC](#) [CR32NP-3R9MC](#) [CR32NP-680KC](#) [CR32NP-820KC](#) [CR32NP-8R2MC](#) [CR43NP-390KC](#) [CR43NP-560KC](#) [CR43NP-680KC](#) [CR54NP-181KC](#) [CR54NP-470LC](#) [CR54NP-820KC](#) [CR54NP-8R5MC](#) [70F224AI](#) [MGDQ4-00004-P](#) [MHL1ECTTP18NJ](#) [MHQ1005P10NJ](#) [MHQ1005P1N0S](#) [MHQ1005P2N4S](#) [MHQ1005P3N6S](#) [MHQ1005P5N1S](#) [MHQ1005P8N2J](#) [PE-51506NL](#) [PE-53601NL](#) [PE-53602NL](#) [PE-53630NL](#) [PE-53824SNLT](#) [PE-92100NL](#) [PG0434.801NLT](#) [PG0936.113NLT](#) [9220-20](#) [9310-16](#) [PM06-2N7](#) [PM06-39NJ](#) [A01TK](#) [1206CS-471XJ](#) [HC2LP-R47-R](#) [HC2-R47-R](#) [HC3-2R2-R](#) [HCF1305-3R3-R](#) [1206CS-151XG](#) [RCH664NP-140L](#) [RCH664NP-4R7M](#) [RCH8011NP-221L](#) [RCP1317NP-332L](#) [RCP1317NP-391L](#)