

Wire Wound SMD Power Inductors – FNR Series

Operating temperature range:
-40 °C~+125 °C (Including self-heating)



FEATURES

- Magnetic-resin shielded construction reduces buzz noise to ultra-low levels
- Metallization on ferrite core results in excellent shock resistance and damage-free durability
- Closed magnetic circuit design reduces leakage flux and Electro Magnetic Interference (EMI)
- 30% higher current rating than conventional inductors of equal size
- Takes up less PCB real estate and save more power

特征

- 磁性膠水塗敷結構極大減少了蜂鳴聲
- 在磁芯上金屬化電極，抗跌落沖擊強，經久耐用
- 閉合磁路結構設計，漏磁少，抗 EMI 能力強
- 電流特性較同等尺寸傳統電感高出30%以上
- 省空間，更省電

APPLICATIONS

- Smart phone, smart TV, set top box, notebook
- Car navigation systems, telecomm base stations
- VR, AR
- LED lighting
- SSD, Bluetooth, Wi-Fi module
- NB-IOT, Bluetooth headset, Smartspeakers

用途

- 智能手機，智能電視，機頂盒，筆記本電腦
- 汽車導航系統，通信設備
- 虛擬現實，增強現實
- LED 照明
- 固態硬盤、藍牙、WIFI 模塊
- 物聯網模塊、藍牙耳機、智能音箱

PRODUCT IDENTIFICATION

| ① FNR | | ② 3015 | | ③ S | | ④ 1R0 | | ⑤ M | | ⑥ T | | ⑦ □□□ | |
|----------------------|-------------------------------|----------------------------------|-------------|------------------------|-------------|--------------|-------------|------------|---------------------------|------------|-------------|--------------|-------------|
| Type | | External Dimensions (L×W×H) [mm] | | | | | | | | | | | |
| FNR | Wire Wound SMD Power Inductor | 252010 | 2.5×2.0×1.0 | 252012 | 2.5×2.0×1.2 | 3010 | 3.0×3.0×1.0 | 3012 | 3.0×3.0×1.2 | 3015 | 3.0×3.0×1.5 | 3021 | 3.0×3.0×2.1 |
| ③ Feature Type | | 4010 | 4.0×4.0×1.0 | ⑤ Inductance Tolerance | | 4012 | 4.0×4.0×1.2 | K | ±10% | 4015 | 4.0×4.0×1.5 | 4018 | 4.0×4.0×1.8 |
| S | Standard | 4020 | 4.0×4.0×2.0 | M | ±20% | 4026 | 4.0×4.0×2.6 | N | ±30% | 4030 | 4.0×4.0×3.0 | 5012 | 5.0×5.0×1.2 |
| ④ Nominal Inductance | | 5015 | 5.0×5.0×1.5 | ⑥ Packing | | 5020 | 5.0×5.0×2.0 | T | Tape Carrier Package | 5030 | 5.0×5.0×3.0 | 5040 | 5.0×5.0×4.0 |
| Example | Nominal Value | 5045 | 5.0×5.0×4.5 | ⑦ Design Code | | 6020 | 6.0×6.0×2.0 | □□□ | Standard product is blank | 6028 | 6.0×6.0×2.8 | 6040 | 6.0×6.0×4.0 |
| 1R0 | 1.0μH | 6045 | 6.0×6.0×4.5 | | | | | | | | | | |
| 100 | 10μH | 8040 | 8.0×8.0×4.0 | | | | | | | | | | |
| | | 8050 | 8.0×8.0×5.0 | | | | | | | | | | |
| | | 8065 | 8.0×8.0×6.5 | | | | | | | | | | |

Specifications subject to change without notice. Please check our website for latest informations.

SHAPE AND DIMENSIONS

Fig.1

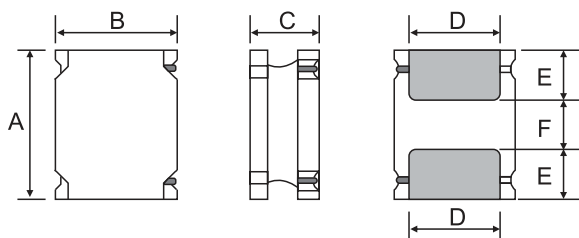
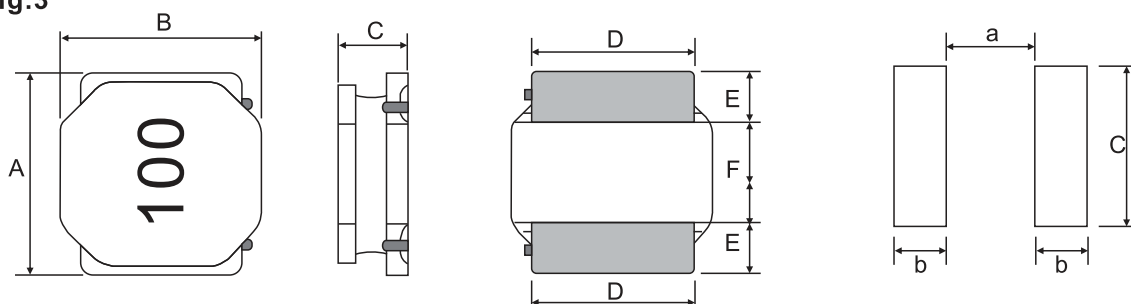


Fig.2



Recommended Land Pattern

Fig.3



Unit: mm

| Series | Shape | A | B | C | D | E | F | A Typ. | B Typ. | C Typ. |
|------------|-------|---------|---------|----------|---------|----------|----------|--------|--------|--------|
| FNR252010S | Fig.1 | 2.5±0.1 | 2.0±0.1 | 1.0Max. | 2.0±0.2 | 0.80±0.2 | 0.80±0.2 | 0.80 | 0.85 | 2.0 |
| FNR252012S | Fig.1 | 2.5±0.1 | 2.0±0.1 | 1.2Max. | 2.0±0.2 | 0.80±0.2 | 0.80±0.2 | 0.80 | 0.85 | 2.0 |
| FNR3010S | Fig.2 | 3.0±0.2 | 3.0±0.2 | 1.0Max. | 2.5±0.2 | 0.75±0.2 | 1.5±0.2 | 1.5 | 0.8 | 2.7 |
| FNR3012S | Fig.2 | 3.0±0.2 | 3.0±0.2 | 1.2Max. | 2.5±0.2 | 0.75±0.2 | 1.5±0.2 | 1.5 | 0.8 | 2.7 |
| FNR3015S | Fig.2 | 3.0±0.2 | 3.0±0.2 | 1.5Max. | 2.5±0.2 | 0.75±0.2 | 1.5±0.2 | 1.5 | 0.8 | 2.7 |
| FNR3021S | Fig.2 | 3.0±0.2 | 3.0±0.2 | 2.35Max. | 2.5±0.2 | 0.75±0.2 | 1.5±0.2 | 1.5 | 0.8 | 2.7 |
| FNR4010S | Fig.2 | 4.0±0.2 | 4.0±0.2 | 1.0Max. | 3.3±0.2 | 0.95±0.2 | 2.1±0.2 | 1.9 | 1.1 | 3.7 |
| FNR4012S | Fig.2 | 4.0±0.2 | 4.0±0.2 | 1.2Max. | 3.3±0.2 | 0.95±0.2 | 2.1±0.2 | 1.9 | 1.1 | 3.7 |
| FNR4015S | Fig.2 | 4.0±0.2 | 4.0±0.2 | 1.65Max. | 3.3±0.2 | 0.95±0.2 | 2.1±0.2 | 1.9 | 1.1 | 3.7 |
| FNR4018S | Fig.2 | 4.0±0.2 | 4.0±0.2 | 1.8Max. | 3.3±0.2 | 0.95±0.2 | 2.1±0.2 | 1.9 | 1.1 | 3.7 |
| FNR4020S | Fig.2 | 4.0±0.2 | 4.0±0.2 | 2.0Max. | 3.3±0.2 | 0.95±0.2 | 2.1±0.2 | 1.9 | 1.1 | 3.7 |
| FNR4026S | Fig.2 | 4.0±0.2 | 4.0±0.2 | 2.6Max. | 3.3±0.2 | 0.95±0.2 | 2.1±0.2 | 1.9 | 1.1 | 3.7 |
| FNR4030S | Fig.2 | 4.0±0.2 | 4.0±0.2 | 3.0Max. | 3.3±0.2 | 0.95±0.2 | 2.1±0.2 | 1.9 | 1.1 | 3.7 |
| FNR5012S | Fig.3 | 5.0±0.2 | 5.0±0.2 | 1.2Max. | 4.0±0.2 | 1.25±0.2 | 2.5±0.2 | 2.3 | 1.4 | 4.2 |
| FNR5015S | Fig.3 | 5.0±0.2 | 5.0±0.2 | 1.5Max. | 4.0±0.2 | 1.25±0.2 | 2.5±0.2 | 2.3 | 1.4 | 4.2 |
| FNR5020S | Fig.3 | 5.0±0.2 | 5.0±0.2 | 2.0Max. | 4.0±0.2 | 1.25±0.2 | 2.5±0.2 | 2.3 | 1.4 | 4.2 |
| FNR5030S | Fig.3 | 5.0±0.2 | 5.0±0.2 | 3.0Max. | 4.0±0.2 | 1.25±0.2 | 2.5±0.2 | 2.3 | 1.4 | 4.2 |
| FNR5040S | Fig.3 | 5.0±0.2 | 5.0±0.2 | 4.0Max. | 4.0±0.2 | 1.25±0.2 | 2.5±0.2 | 2.3 | 1.4 | 4.2 |
| FNR5045S | Fig.3 | 5.0±0.2 | 5.0±0.2 | 4.5Max. | 4.0±0.2 | 1.25±0.2 | 2.5±0.2 | 2.3 | 1.4 | 4.2 |
| FNR6020S | Fig.2 | 6.0±0.3 | 6.0±0.3 | 2.0Max. | 4.9±0.3 | 1.55±0.3 | 2.9±0.3 | 2.8 | 1.7 | 5.7 |
| FNR6028S | Fig.2 | 6.0±0.3 | 6.0±0.3 | 2.8Max. | 4.9±0.3 | 1.55±0.3 | 2.9±0.3 | 2.8 | 1.7 | 5.7 |
| FNR6040S | Fig.2 | 6.0±0.3 | 6.0±0.3 | 4.0Max. | 4.9±0.3 | 1.55±0.3 | 2.9±0.3 | 2.8 | 1.7 | 5.7 |
| FNR6045S | Fig.2 | 6.0±0.3 | 6.0±0.3 | 4.5Max. | 4.9±0.3 | 1.55±0.3 | 2.9±0.3 | 2.8 | 1.7 | 5.7 |
| FNR8040S | Fig.2 | 8.0±0.3 | 8.0±0.3 | 4.2Max. | 6.3±0.3 | 2.00±0.3 | 4.0±0.3 | 3.8 | 2.2 | 7.5 |
| FNR8050S | Fig.3 | 8.0±0.3 | 8.0±0.3 | 5.0Max. | 6.3±0.3 | 2.00±0.3 | 4.0±0.3 | 3.8 | 2.2 | 7.5 |
| FNR8065S | Fig.3 | 8.0±0.3 | 8.0±0.3 | 6.5Max. | 6.3±0.3 | 2.00±0.3 | 4.0±0.3 | 3.8 | 2.2 | 7.5 |

※*1: All products are printed with Marking except the 252010S, 252012S, 3010S, 3012S, 3015S and 3021S series.

SPECIFICATIONS

FNR252010S Series

| Part Number | Inductance | DC Resistance | | Self-resonant Frequency | Saturation Current*3 | | Heat Rating Current*4 | |
|-----------------|------------|---------------|-------|-------------------------|----------------------|------|-----------------------|------|
| | @100kHz,1V | Max. | Typ. | Min. | Max. | Typ. | Max. | Typ. |
| Units | μH | Ω | | MHz | A | | A | |
| Symbol | L | DCR | | S.R.F | Isat | | Irms | |
| FNR252010SR47NT | 0.47±30% | 0.056 | 0.047 | 206 | 2.50 | 3.35 | 2.35 | 2.56 |
| FNR252010SR56NT | 0.56±30% | 0.072 | 0.060 | 160 | 2.90 | 3.20 | 2.00 | 2.18 |
| FNR252010SR68NT | 0.68±30% | 0.074 | 0.062 | 129 | 2.20 | 2.75 | 2.00 | 2.18 |
| FNR252010S1R0NT | 1.0±30% | 0.108 | 0.090 | 100 | 1.85 | 2.20 | 1.65 | 1.80 |
| FNR252010S1R5NT | 1.5±30% | 0.182 | 0.152 | 81 | 1.80 | 2.10 | 1.30 | 1.42 |
| FNR252010S2R2NT | 2.2±30% | 0.209 | 0.174 | 61 | 1.20 | 1.60 | 1.20 | 1.31 |
| FNR252010S3R3MT | 3.3±20% | 0.328 | 0.273 | 47 | 1.05 | 1.30 | 0.90 | 0.98 |
| FNR252010S4R7MT | 4.7±20% | 0.563 | 0.469 | 42 | 0.95 | 1.15 | 0.70 | 0.76 |
| FNR252010S5R6MT | 5.6±20% | 0.563 | 0.469 | 35 | 0.80 | 0.95 | 0.73 | 0.80 |
| FNR252010S6R8MT | 6.8±20% | 0.896 | 0.747 | 31 | 0.78 | 0.92 | 0.59 | 0.64 |
| FNR252010S100MT | 10±20% | 1.092 | 0.910 | 27 | 0.65 | 0.78 | 0.50 | 0.55 |

FNR252012S Series

| Part Number | Inductance | DC Resistance | | Self-resonant Frequency | Saturation Current*3 | | Heat Rating Current*4 | |
|-----------------|------------|---------------|-------|-------------------------|----------------------|------|-----------------------|------|
| | @100kHz,1V | Max. | Typ. | Min. | Max. | Typ. | Max. | Typ. |
| Units | μH | Ω | | MHz | A | | A | |
| Symbol | L | DCR | | S.R.F | Isat | | Irms | |
| FNR252012SR47NT | 0.47±30% | 0.061 | 0.047 | 160 | 3.82 | 4.27 | 2.15 | 2.34 |
| FNR252012SR68NT | 0.68±30% | 0.074 | 0.057 | 140 | 3.28 | 3.68 | 1.95 | 2.13 |
| FNR252012S1R0NT | 1.0±30% | 0.090 | 0.069 | 110 | 2.59 | 2.90 | 1.93 | 2.10 |
| FNR252012S1R2NT | 1.2±30% | 0.129 | 0.099 | 100 | 2.38 | 2.67 | 1.46 | 1.59 |
| FNR252012S1R5MT | 1.5±20% | 0.147 | 0.113 | 97 | 2.24 | 2.51 | 1.40 | 1.53 |
| FNR252012S2R2MT | 2.2±20% | 0.216 | 0.166 | 69 | 1.85 | 2.07 | 1.15 | 1.25 |
| FNR252012S2R7MT | 2.7±20% | 0.239 | 0.184 | 63 | 1.72 | 1.92 | 1.09 | 1.19 |
| FNR252012S3R3MT | 3.3±20% | 0.264 | 0.203 | 62 | 1.61 | 1.80 | 1.04 | 1.13 |
| FNR252012S3R6MT | 3.6±20% | 0.348 | 0.268 | 53 | 1.46 | 1.64 | 0.90 | 0.98 |
| FNR252012S4R3MT | 4.3±20% | 0.377 | 0.290 | 51 | 1.37 | 1.53 | 0.87 | 0.95 |
| FNR252012S4R7MT | 4.7±20% | 0.377 | 0.290 | 47 | 1.12 | 1.25 | 0.84 | 0.92 |
| FNR252012S5R1MT | 5.1±20% | 0.500 | 0.385 | 44 | 1.23 | 1.37 | 0.75 | 0.82 |
| FNR252012S5R6MT | 5.6±20% | 0.538 | 0.414 | 38 | 1.11 | 1.25 | 0.73 | 0.80 |
| FNR252012S6R2MT | 6.2±20% | 0.542 | 0.417 | 38 | 1.03 | 1.16 | 0.73 | 0.80 |
| FNR252012S6R8MT | 6.8±20% | 0.581 | 0.447 | 38 | 0.98 | 1.09 | 0.69 | 0.75 |
| FNR252012S7R5MT | 7.5±20% | 0.611 | 0.470 | 35 | 0.97 | 1.09 | 0.68 | 0.74 |
| FNR252012S8R2MT | 8.2±20% | 0.658 | 0.506 | 36 | 0.98 | 1.10 | 0.65 | 0.71 |
| FNR252012S9R1MT | 9.1±20% | 0.690 | 0.531 | 34 | 0.91 | 1.02 | 0.62 | 0.68 |
| FNR252012S100MT | 10±20% | 0.690 | 0.531 | 34 | 0.79 | 0.88 | 0.62 | 0.68 |
| FNR252012S120MT | 12±20% | 1.075 | 0.827 | 28 | 0.78 | 0.88 | 0.51 | 0.56 |
| FNR252012S150MT | 15±20% | 1.591 | 1.224 | 25 | 0.68 | 0.77 | 0.42 | 0.46 |
| FNR252012S220MT | 22±20% | 1.976 | 1.520 | 20 | 0.53 | 0.59 | 0.38 | 0.41 |

SPECIFICATIONS

FNR3010S Series

| Part Number | Inductance | DC Resistance | | Self-resonant Frequency | Saturation Current*3 | | Heat Rating Current*4 | |
|---------------|------------|---------------|-------|-------------------------|----------------------|------|-----------------------|------|
| | @100kHz,1V | Max. | Typ. | Min. | Max. | Typ. | Max. | Typ. |
| Units | μH | Ω | | MHz | A | | A | |
| Symbol | L | DCR | | S.R.F | Isat | | Irms | |
| FNR3010S1R0NT | 1.0±30% | 0.085 | 0.065 | 180 | 1.40 | 2.10 | 1.45 | 1.80 |
| FNR3010S1R2NT | 1.2±30% | 0.085 | 0.065 | 137 | 1.25 | 1.70 | 1.45 | 1.80 |
| FNR3010S1R5NT | 1.5±30% | 0.104 | 0.080 | 120 | 1.27 | 1.70 | 1.30 | 1.60 |
| FNR3010S2R2NT | 2.2±30% | 0.143 | 0.110 | 100 | 1.15 | 1.50 | 1.09 | 1.40 |
| FNR3010S2R7NT | 2.7±30% | 0.169 | 0.130 | 90 | 1.00 | 1.20 | 1.02 | 1.40 |
| FNR3010S3R3NT | 3.3±30% | 0.189 | 0.145 | 74 | 0.97 | 1.20 | 0.96 | 1.20 |
| FNR3010S3R6MT | 3.6±20% | 0.215 | 0.165 | 67 | 0.95 | 1.20 | 0.90 | 1.10 |
| FNR3010S4R7MT | 4.7±20% | 0.293 | 0.225 | 59 | 0.75 | 1.05 | 0.77 | 1.10 |
| FNR3010S5R6MT | 5.6±20% | 0.322 | 0.248 | 40 | 0.58 | 0.65 | 0.70 | 1.05 |
| FNR3010S6R8MT | 6.8±20% | 0.397 | 0.305 | 42 | 0.55 | 0.72 | 0.66 | 0.96 |
| FNR3010S8R2MT | 8.2±20% | 0.520 | 0.400 | 23 | 0.55 | 0.70 | 0.58 | 0.70 |
| FNR3010S100MT | 10±20% | 0.520 | 0.400 | 39 | 0.55 | 0.75 | 0.58 | 0.70 |
| FNR3010S120MT | 12±20% | 0.657 | 0.505 | 36 | 0.43 | 0.65 | 0.52 | 0.67 |
| FNR3010S150MT | 15±20% | 0.793 | 0.610 | 30 | 0.42 | 0.57 | 0.47 | 0.57 |
| FNR3010S220MT | 22±20% | 1.209 | 0.930 | 28 | 0.35 | 0.48 | 0.38 | 0.52 |
| FNR3010S270MT | 27±20% | 1.404 | 1.080 | 25 | 0.30 | 0.45 | 0.35 | 0.50 |
| FNR3010S330MT | 33±20% | 2.015 | 1.550 | 18 | 0.29 | 0.42 | 0.30 | 0.55 |
| FNR3010S390MT | 39±20% | 2.275 | 1.750 | 18 | 0.28 | 0.38 | 0.28 | 0.53 |
| FNR3010S430MT | 43±20% | 2.340 | 1.800 | 18 | 0.23 | 0.36 | 0.27 | 0.52 |
| FNR3010S470MT | 47±20% | 2.535 | 1.950 | 18 | 0.22 | 0.35 | 0.26 | 0.52 |
| FNR3010S510MT | 51±20% | 2.860 | 2.200 | 18 | 0.21 | 0.33 | 0.25 | 0.48 |
| FNR3010S560MT | 56±20% | 3.016 | 2.320 | 16 | 0.21 | 0.28 | 0.24 | 0.35 |

FNR3012S Series

| Part Number | Inductance | DC Resistance | | Self-resonant Frequency | Saturation Current*3 | | Heat Rating Current*4 | |
|---------------|------------|---------------|-------|-------------------------|----------------------|------|-----------------------|------|
| | @100kHz,1V | Max. | Typ. | Min. | Max. | Typ. | Max. | Typ. |
| Units | μH | Ω | | MHz | A | | A | |
| Symbol | L | DCR | | S.R.F | Isat | | Irms | |
| FNR3012SR22NT | 0.22±30% | 0.022 | 0.017 | 321 | 5.30 | 6.00 | 3.00 | 3.30 |
| FNR3012SR82NT | 0.82±30% | 0.039 | 0.030 | 180 | 2.05 | 2.80 | 2.47 | 3.00 |
| FNR3012S1R0NT | 1.0±30% | 0.052 | 0.040 | 120 | 1.87 | 2.80 | 2.20 | 2.70 |
| FNR3012S1R2NT | 1.2±30% | 0.059 | 0.045 | 120 | 2.22 | 2.50 | 2.01 | 2.20 |
| FNR3012S1R5NT | 1.5±30% | 0.059 | 0.045 | 110 | 1.62 | 1.90 | 2.01 | 2.20 |
| FNR3012S1R8NT | 1.8±30% | 0.082 | 0.063 | 90 | 1.30 | 1.90 | 1.65 | 1.80 |
| FNR3012S2R2NT | 2.2±30% | 0.098 | 0.075 | 84 | 1.20 | 1.90 | 1.55 | 1.70 |
| FNR3012S2R4NT | 2.4±30% | 0.088 | 0.068 | 100 | 1.15 | 1.50 | 1.60 | 1.70 |
| FNR3012S2R7NT | 2.7±30% | 0.110 | 0.085 | 65 | 1.14 | 1.50 | 1.48 | 1.50 |
| FNR3012S3R3MT | 3.3±20% | 0.130 | 0.100 | 64 | 1.05 | 1.50 | 1.36 | 1.40 |
| FNR3012S3R6MT | 3.6±20% | 0.130 | 0.100 | 36 | 1.05 | 1.50 | 1.36 | 1.40 |
| FNR3012S3R9MT | 3.9±20% | 0.189 | 0.145 | 61 | 1.00 | 1.30 | 1.24 | 1.30 |
| FNR3012S4R7MT | 4.7±20% | 0.156 | 0.120 | 61 | 0.90 | 1.00 | 1.24 | 1.30 |
| FNR3012S5R6MT | 5.6±20% | 0.226 | 0.174 | 61 | 0.80 | 1.10 | 1.13 | 1.24 |
| FNR3012S6R8MT | 6.8±20% | 0.247 | 0.190 | 61 | 0.75 | 0.90 | 0.98 | 1.10 |
| FNR3012S100MT | 10±20% | 0.345 | 0.265 | 42 | 0.60 | 0.88 | 0.83 | 0.90 |
| FNR3012S120MT | 12±20% | 0.449 | 0.345 | 32 | 0.48 | 0.67 | 0.73 | 0.84 |
| FNR3012S150MT | 15±20% | 0.468 | 0.360 | 27 | 0.45 | 0.62 | 0.71 | 0.77 |
| FNR3012S180MT | 18±20% | 0.709 | 0.545 | 25 | 0.43 | 0.59 | 0.58 | 0.65 |

SPECIFICATIONS

FNR3012S Series

| Part Number | Inductance | DC Resistance | | Self-resonant Frequency | Saturation Current*3 | | Heat Rating Current*4 | |
|---------------|-------------|---------------|-------|-------------------------|----------------------|------|-----------------------|------|
| | @100kHz, 1V | Max. | Typ. | Min. | Max. | Typ. | Max. | Typ. |
| Units | μH | Ω | | MHz | A | | A | |
| Symbol | L | DCR | | S.R.F | Isat | | Irms | |
| FNR3012S220MT | 22±20% | 0.839 | 0.645 | 23 | 0.42 | 0.52 | 0.53 | 0.59 |
| FNR3012S270MT | 27±20% | 1.131 | 0.870 | 21 | 0.35 | 0.48 | 0.47 | 0.51 |
| FNR3012S330MT | 33±20% | 1.138 | 0.875 | 18 | 0.36 | 0.46 | 0.46 | 0.50 |
| FNR3012S360MT | 36±20% | 1.235 | 0.950 | 18 | 0.34 | 0.44 | 0.44 | 0.48 |
| FNR3012S390MT | 39±20% | 1.729 | 1.330 | 18 | 0.30 | 0.39 | 0.37 | 0.41 |
| FNR3012S470MT | 47±20% | 1.885 | 1.450 | 14 | 0.27 | 0.35 | 0.35 | 0.40 |
| FNR3012S560MT | 56±20% | 1.794 | 1.380 | 9 | 0.26 | 0.33 | 0.28 | 0.40 |
| FNR3012S680MT | 68±20% | 2.171 | 1.670 | 7 | 0.24 | 0.29 | 0.33 | 0.37 |
| FNR3012S820MT | 82±20% | 3.302 | 2.540 | 7 | 0.17 | 0.27 | 0.27 | 0.31 |
| FNR3012S101MT | 100±20% | 3.718 | 2.860 | 5 | 0.21 | 0.23 | 0.25 | 0.29 |

FNR3015S Series

| Part Number | Inductance | DC Resistance | | Self-resonant Frequency | Saturation Current*3 | | Heat Rating Current*4 | |
|---------------|-------------|---------------|-------|-------------------------|----------------------|------|-----------------------|------|
| | @100kHz, 1V | Max. | Typ. | Min. | Max. | Typ. | Max. | Typ. |
| Units | μH | Ω | | MHz | A | | A | |
| Symbol | L | DCR | | S.R.F | Isat | | Irms | |
| FNR3015SR50NT | 0.5±30% | 0.039 | 0.030 | 162 | 3.90 | 4.20 | 2.60 | 2.80 |
| FNR3015S1R0NT | 1.0±30% | 0.039 | 0.030 | 150 | 2.32 | 2.80 | 2.35 | 2.50 |
| FNR3015S1R2NT | 1.2±30% | 0.052 | 0.040 | 110 | 2.21 | 3.10 | 1.95 | 2.30 |
| FNR3015S1R5NT | 1.5±30% | 0.065 | 0.050 | 100 | 2.30 | 2.70 | 1.70 | 2.20 |
| FNR3015S1R8NT | 1.8±30% | 0.065 | 0.050 | 92 | 1.75 | 2.20 | 1.70 | 2.20 |
| FNR3015S2R2NT | 2.2±30% | 0.078 | 0.060 | 86 | 1.60 | 2.00 | 1.60 | 2.00 |
| FNR3015S2R7NT | 2.7±30% | 0.098 | 0.075 | 64 | 1.52 | 1.90 | 1.43 | 1.90 |
| FNR3015S3R3MT | 3.3±20% | 0.104 | 0.080 | 68 | 1.32 | 1.81 | 1.36 | 1.60 |
| FNR3015S3R6MT | 3.6±20% | 0.137 | 0.105 | 59 | 1.28 | 1.60 | 1.20 | 1.50 |
| FNR3015S3R9MT | 3.9±20% | 0.137 | 0.105 | 47 | 1.20 | 1.40 | 1.20 | 1.50 |
| FNR3015S4R3MT | 4.3±20% | 0.150 | 0.115 | 53 | 1.20 | 1.40 | 1.14 | 1.30 |
| FNR3015S4R7MT | 4.7±20% | 0.163 | 0.125 | 46 | 1.10 | 1.40 | 1.09 | 1.30 |
| FNR3015S5R1MT | 5.1±20% | 0.173 | 0.133 | 49 | 1.00 | 1.20 | 1.05 | 1.20 |
| FNR3015S6R2MT | 6.2±20% | 0.254 | 0.195 | 46 | 1.00 | 1.20 | 0.86 | 1.00 |
| FNR3015S6R8MT | 6.8±20% | 0.260 | 0.200 | 39 | 0.85 | 1.10 | 0.85 | 1.10 |
| FNR3015S100MT | 10±20% | 0.325 | 0.250 | 41 | 0.72 | 0.92 | 0.77 | 0.90 |
| FNR3015S120MT | 12±20% | 0.416 | 0.320 | 32 | 0.70 | 0.90 | 0.68 | 0.89 |
| FNR3015S150MT | 15±20% | 0.455 | 0.350 | 30 | 0.66 | 0.88 | 0.65 | 0.72 |
| FNR3015S180MT | 18±20% | 0.559 | 0.430 | 23 | 0.56 | 0.72 | 0.59 | 0.72 |
| FNR3015S220MT | 22±20% | 0.598 | 0.460 | 23 | 0.52 | 0.68 | 0.57 | 0.69 |
| FNR3015S270MT | 27±20% | 0.949 | 0.730 | 22 | 0.48 | 0.56 | 0.45 | 0.56 |
| FNR3015S330MT | 33±20% | 1.066 | 0.820 | 20 | 0.44 | 0.53 | 0.43 | 0.51 |
| FNR3015S390MT | 39±20% | 1.294 | 0.995 | 14 | 0.41 | 0.55 | 0.39 | 0.44 |
| FNR3015S430MT | 43±20% | 1.378 | 1.060 | 16 | 0.37 | 0.43 | 0.37 | 0.48 |
| FNR3015S470MT | 47±20% | 1.625 | 1.250 | 14 | 0.35 | 0.43 | 0.35 | 0.44 |
| FNR3015S560MT | 56±20% | 1.664 | 1.280 | 13 | 0.33 | 0.42 | 0.34 | 0.41 |
| FNR3015S620MT | 62±20% | 2.093 | 1.610 | 13 | 0.30 | 0.40 | 0.30 | 0.41 |
| FNR3015S680MT | 68±20% | 3.510 | 2.700 | 11 | 0.28 | 0.37 | 0.23 | 0.31 |
| FNR3015S101MT | 100±20% | 4.043 | 3.110 | 6.3 | 0.23 | 0.25 | 0.21 | 0.25 |
| FNR3015S151MT | 150±20% | 4.940 | 3.800 | 4.7 | 0.18 | 0.22 | 0.19 | 0.23 |

SPECIFICATIONS

FNR3021S Series

| Part Number | Inductance | DC Resistance | | Self-resonant Frequency | Saturation Current*3 | | Heat Rating Current*4 | |
|---------------|---------------|---------------|-------|-------------------------|----------------------|------|-----------------------|------|
| | @100kHz,0.25V | Max. | Typ. | Min. | Max. | Typ. | Max. | Typ. |
| Units | μH | Ω | | MHz | A | | A | |
| Symbol | L | DCR | | S.R.F | Isat | | Irms | |
| FNR3021S1R0NT | 1.0±30% | 0.056 | 0.043 | 135 | 4.00 | 6.00 | 2.00 | 2.30 |
| FNR3021S1R2NT | 1.2±30% | 0.060 | 0.047 | 99 | 3.80 | 4.10 | 1.95 | 2.25 |
| FNR3021S1R5NT | 1.5±30% | 0.061 | 0.047 | 90 | 3.90 | 4.20 | 2.00 | 2.20 |
| FNR3021S2R2NT | 2.2±30% | 0.091 | 0.070 | 75 | 3.20 | 3.70 | 1.85 | 2.00 |
| FNR3021S3R3MT | 3.3±20% | 0.120 | 0.092 | 61 | 2.70 | 3.00 | 1.50 | 1.68 |
| FNR3021S4R7MT | 4.7±20% | 0.156 | 0.120 | 44 | 2.20 | 2.70 | 1.20 | 1.35 |
| FNR3021S6R8MT | 6.8±20% | 0.208 | 0.160 | 35 | 2.00 | 2.40 | 1.00 | 1.20 |
| FNR3021S100MT | 10±20% | 0.312 | 0.240 | 37 | 1.40 | 1.80 | 0.93 | 1.10 |
| FNR3021S220MT | 22±20% | 0.689 | 0.530 | 21 | 1.00 | 1.20 | 0.55 | 0.61 |
| FNR3021S470MT | 47±20% | 1.300 | 1.000 | 13 | 0.70 | 0.88 | 0.40 | 0.45 |
| FNR3021S151MT | 150±20% | 5.200 | 4.000 | 4 | 0.40 | 0.49 | 0.16 | 0.18 |

FNR4010S Series

| Part Number | Inductance | DC Resistance | | Self-resonant Frequency | Saturation Current*3 | | Heat Rating Current*4 | |
|---------------|------------|---------------|-------|-------------------------|----------------------|------|-----------------------|------|
| | @100kHz,1V | Max. | Typ. | Min. | Max. | Typ. | Max. | Typ. |
| Units | μH | Ω | | MHz | A | | A | |
| Symbol | L | DCR | | S.R.F | Isat | | Irms | |
| FNR4010S1R0NT | 1.0±30% | 0.067 | 0.056 | 116 | 2.00 | 2.30 | 1.90 | 2.40 |
| FNR4010S1R5NT | 1.5±30% | 0.084 | 0.070 | 94 | 1.68 | 2.00 | 1.70 | 2.00 |
| FNR4010S2R2MT | 2.2±20% | 0.102 | 0.085 | 73 | 1.20 | 1.50 | 1.50 | 2.00 |
| FNR4010S3R3MT | 3.3±20% | 0.120 | 0.100 | 58 | 1.10 | 1.40 | 1.40 | 1.80 |
| FNR4010S4R7MT | 4.7±20% | 0.168 | 0.140 | 47 | 0.95 | 1.10 | 1.20 | 1.50 |
| FNR4010S6R8MT | 6.8±20% | 0.240 | 0.200 | 38 | 0.80 | 0.95 | 1.00 | 1.20 |
| FNR4010S100MT | 10±20% | 0.360 | 0.300 | 31 | 0.62 | 0.75 | 0.75 | 1.00 |
| FNR4010S150MT | 15±20% | 0.516 | 0.430 | 24 | 0.54 | 0.61 | 0.60 | 0.85 |
| FNR4010S220MT | 22±20% | 0.684 | 0.570 | 19 | 0.45 | 0.52 | 0.50 | 0.75 |

FNR4012S Series

| Part Number | Inductance | DC Resistance | | Self-resonant Frequency | Saturation Current*3 | | Heat Rating Current*4 | |
|---------------|------------|---------------|-------|-------------------------|----------------------|------|-----------------------|------|
| | @100kHz,1V | Max. | Typ. | Min. | Max. | Typ. | Max. | Typ. |
| Units | μH | Ω | | MHz | A | | A | |
| Symbol | L | DCR | | S.R.F | Isat | | Irms | |
| FNR4012SR82NT | 0.82±30% | 0.065 | 0.050 | 150 | 3.02 | 3.30 | 1.65 | 2.50 |
| FNR4012S1R0NT | 1.0±30% | 0.065 | 0.050 | 120 | 2.61 | 3.20 | 1.65 | 2.50 |
| FNR4012S1R5NT | 1.5±30% | 0.085 | 0.065 | 90 | 2.10 | 2.70 | 1.46 | 2.20 |
| FNR4012S1R8NT | 1.8±30% | 0.104 | 0.080 | 88 | 2.12 | 2.60 | 1.32 | 1.90 |
| FNR4012S2R2NT | 2.2±30% | 0.104 | 0.080 | 74 | 1.76 | 2.30 | 1.32 | 1.90 |
| FNR4012S2R7NT | 2.7±30% | 0.117 | 0.090 | 71 | 1.90 | 2.30 | 1.25 | 1.70 |
| FNR4012S3R3NT | 3.3±30% | 0.143 | 0.110 | 60 | 1.72 | 2.10 | 1.12 | 1.60 |
| FNR4012S3R6NT | 3.6±30% | 0.143 | 0.110 | 57 | 1.20 | 1.70 | 1.12 | 1.60 |

SPECIFICATIONS

FNR4012S Series

| Part Number | Inductance | DC Resistance | | Self-resonant Frequency | Saturation Current*3 | | Heat Rating Current*4 | |
|---------------|-------------|---------------|-------|-------------------------|----------------------|------|-----------------------|------|
| | @100kHz, 1V | Max. | Typ. | Min. | Max. | Typ. | Max. | Typ. |
| Units | μH | Ω | | MHz | A | | A | |
| Symbol | L | DCR | | S.R.F | Isat | | Irms | |
| FNR4012S4R3NT | 4.3±30% | 0.182 | 0.140 | 54 | 1.58 | 1.70 | 1.00 | 1.50 |
| FNR4012S4R7NT | 4.7±30% | 0.163 | 0.125 | 50 | 1.15 | 1.80 | 1.05 | 1.50 |
| FNR4012S5R1NT | 5.1±30% | 0.201 | 0.155 | 50 | 1.55 | 1.60 | 0.95 | 1.50 |
| FNR4012S5R6NT | 5.6±30% | 0.182 | 0.140 | 42 | 1.00 | 1.60 | 1.00 | 1.20 |
| FNR4012S6R8MT | 6.8±20% | 0.257 | 0.198 | 40 | 0.85 | 1.40 | 0.84 | 1.20 |
| FNR4012S100MT | 10±20% | 0.345 | 0.265 | 33 | 0.80 | 1.10 | 0.77 | 1.00 |
| FNR4012S120MT | 12±20% | 0.377 | 0.290 | 32 | 0.66 | 1.00 | 0.70 | 0.95 |
| FNR4012S150MT | 15±20% | 0.442 | 0.340 | 25 | 0.56 | 0.80 | 0.64 | 0.85 |
| FNR4012S180MT | 18±20% | 0.611 | 0.470 | 23 | 0.55 | 0.75 | 0.55 | 0.80 |
| FNR4012S220MT | 22±20% | 0.763 | 0.587 | 20 | 0.46 | 0.70 | 0.49 | 0.75 |
| FNR4012S270MT | 27±20% | 0.936 | 0.720 | 18 | 0.50 | 0.70 | 0.45 | 0.60 |
| FNR4012S330MT | 33±20% | 1.053 | 0.810 | 17 | 0.42 | 0.60 | 0.42 | 0.58 |
| FNR4012S360MT | 36±20% | 1.170 | 0.900 | 14 | 0.40 | 0.50 | 0.40 | 0.56 |
| FNR4012S390MT | 39±20% | 1.430 | 1.100 | 16 | 0.55 | 0.66 | 0.37 | 0.50 |
| FNR4012S470MT | 47±20% | 1.430 | 1.100 | 12 | 0.35 | 0.50 | 0.37 | 0.50 |
| FNR4012S560MT | 56±20% | 1.625 | 1.250 | 11 | 0.33 | 0.45 | 0.33 | 0.46 |
| FNR4012S680MT | 68±20% | 2.535 | 1.950 | 11 | 0.38 | 0.45 | 0.27 | 0.45 |
| FNR4012S820MT | 82±20% | 2.782 | 2.140 | 11 | 0.28 | 0.40 | 0.26 | 0.36 |
| FNR4012S101MT | 100±20% | 2.873 | 2.210 | 9.4 | 0.25 | 0.30 | 0.25 | 0.35 |

FNR4015S Series

| Part Number | Inductance | DC Resistance | | Self-resonant Frequency | Saturation Current*3 | | Heat Rating Current*4 | |
|---------------|----------------|---------------|-------|-------------------------|----------------------|------|-----------------------|------|
| | @100kHz, 0.25V | Max. | Typ. | Min. | Max. | Typ. | Max. | Typ. |
| Units | μH | Ω | | MHz | A | | A | |
| Symbol | L | DCR | | S.R.F | Isat | | Irms | |
| FNR4015S1R0NT | 1.0±30% | 0.046 | 0.035 | 108 | 3.30 | 4.40 | 2.50 | 2.80 |
| FNR4015S1R5NT | 1.5±30% | 0.052 | 0.040 | 81 | 2.70 | 3.50 | 2.20 | 2.50 |
| FNR4015S2R2MT | 2.2±20% | 0.069 | 0.053 | 67 | 2.10 | 3.00 | 2.00 | 2.20 |
| FNR4015S3R3MT | 3.3±20% | 0.098 | 0.075 | 54 | 1.90 | 2.60 | 1.80 | 2.00 |
| FNR4015S4R7MT | 4.7±20% | 0.130 | 0.100 | 45 | 1.45 | 2.10 | 1.35 | 1.50 |
| FNR4015S6R8MT | 6.8±20% | 0.176 | 0.135 | 36 | 1.30 | 1.60 | 1.20 | 1.35 |
| FNR4015S100MT | 10±20% | 0.260 | 0.200 | 30 | 1.10 | 1.36 | 1.00 | 1.12 |
| FNR4015S150MT | 15±20% | 0.390 | 0.300 | 23 | 0.90 | 1.10 | 0.85 | 0.96 |
| FNR4015S220MT | 22±20% | 0.520 | 0.400 | 18 | 0.72 | 0.90 | 0.68 | 0.76 |
| FNR4015S330MT | 33±20% | 0.858 | 0.660 | 14 | 0.63 | 0.76 | 0.58 | 0.65 |
| FNR4015S470MT | 47±20% | 1.270 | 0.975 | 11 | 0.55 | 0.63 | 0.45 | 0.50 |
| FNR4015S680MT | 68±20% | 2.080 | 1.600 | 10 | 0.50 | 0.58 | 0.42 | 0.47 |

SPECIFICATIONS

FNR4018S Series

| Part Number | Inductance | DC Resistance | | Self-resonant Frequency | Saturation Current*3 | | Heat Rating Current*4 | |
|---------------|------------|---------------|-------|-------------------------|----------------------|------|-----------------------|------|
| | @100kHz,1V | Max. | Typ. | Min. | Max. | Typ. | Max. | Typ. |
| Units | μH | Ω | | MHz | A | | A | |
| Symbol | L | DCR | | S.R.F | Isat | | Irms | |
| FNR4018SR47NT | 0.47±30% | 0.018 | 0.014 | 155 | 4.30 | 5.20 | 4.00 | 4.50 |
| FNR4018SR68NT | 0.68±30% | 0.026 | 0.020 | 128 | 4.90 | 5.60 | 3.30 | 3.80 |
| FNR4018S1R0NT | 1.0±30% | 0.033 | 0.025 | 80 | 4.80 | 5.20 | 2.00 | 3.30 |
| FNR4018S1R5NT | 1.5±30% | 0.039 | 0.030 | 65 | 3.35 | 4.00 | 1.80 | 3.20 |
| FNR4018S1R8NT | 1.8±30% | 0.044 | 0.034 | 54 | 3.00 | 3.40 | 2.00 | 2.80 |
| FNR4018S2R2MT | 2.2±20% | 0.059 | 0.045 | 52 | 2.70 | 3.20 | 1.65 | 2.60 |
| FNR4018S3R3MT | 3.3±20% | 0.091 | 0.070 | 44 | 2.45 | 2.90 | 1.23 | 2.10 |
| FNR4018S4R7MT | 4.7±20% | 0.117 | 0.090 | 34 | 1.70 | 2.20 | 1.20 | 1.80 |
| FNR4018S6R8MT | 6.8±20% | 0.143 | 0.110 | 29 | 1.45 | 2.00 | 1.06 | 1.50 |
| FNR4018S100MT | 10±20% | 0.234 | 0.180 | 24 | 1.30 | 1.60 | 0.84 | 1.20 |
| FNR4018S150MT | 15±20% | 0.325 | 0.250 | 19 | 0.94 | 1.10 | 0.65 | 1.00 |
| FNR4018S220MT | 22±20% | 0.468 | 0.360 | 16 | 0.80 | 0.88 | 0.59 | 0.85 |
| FNR4018S270MT | 27±20% | 0.611 | 0.470 | 27 | 0.47 | 0.62 | 0.52 | 0.90 |
| FNR4018S330MT | 33±20% | 0.689 | 0.530 | 12 | 0.56 | 0.75 | 0.49 | 0.72 |
| FNR4018S470MT | 47±20% | 0.845 | 0.650 | 10 | 0.57 | 0.70 | 0.42 | 0.65 |
| FNR4018S680MT | 68±20% | 1.300 | 1.000 | 8.3 | 0.47 | 0.51 | 0.32 | 0.52 |
| FNR4018S101MT | 100±20% | 2.275 | 1.750 | 6.5 | 0.40 | 0.44 | 0.25 | 0.41 |
| FNR4018S151MT | 150±20% | 3.250 | 2.500 | 5.5 | 0.31 | 0.34 | 0.22 | 0.36 |
| FNR4018S221MT | 220±20% | 5.200 | 4.000 | 4 | 0.27 | 0.30 | 0.17 | 0.27 |

FNR4020S Series

| Part Number | Inductance | DC Resistance | | Self-resonant Frequency | Saturation Current*3 | | Heat Rating Current*4 | |
|---------------|------------|---------------|-------|-------------------------|----------------------|------|-----------------------|------|
| | @100kHz,1V | Max. | Typ. | Min. | Max. | Typ. | Max. | Typ. |
| Units | μH | Ω | | MHz | A | | A | |
| Symbol | L | DCR | | S.R.F | Isat | | Irms | |
| FNR4020SR24MT | 0.24±20% | 0.014 | 0.011 | 283 | 10.5 | 12.5 | 4.50 | 5.20 |
| FNR4020SR33NT | 0.33±30% | 0.016 | 0.013 | 223 | 7.50 | 8.50 | 3.30 | 4.90 |
| FNR4020SR47NT | 0.47±30% | 0.029 | 0.022 | 160 | 7.00 | 7.50 | 3.30 | 3.70 |
| FNR4020SR68NT | 0.68±30% | 0.036 | 0.028 | 120 | 6.40 | 6.60 | 2.80 | 3.30 |
| FNR4020S1R0NT | 1.0±30% | 0.038 | 0.029 | 75 | 4.78 | 5.20 | 2.15 | 3.20 |
| FNR4020S1R2NT | 1.2±30% | 0.038 | 0.029 | 72 | 5.10 | 5.60 | 2.15 | 3.20 |
| FNR4020S1R5NT | 1.5±30% | 0.046 | 0.035 | 71 | 4.45 | 4.90 | 1.98 | 3.00 |
| FNR4020S2R2NT | 2.2±30% | 0.052 | 0.040 | 49 | 3.40 | 3.70 | 1.85 | 2.80 |
| FNR4020S3R3MT | 3.3±20% | 0.091 | 0.070 | 44 | 3.20 | 3.50 | 1.40 | 2.50 |
| FNR4020S3R6MT | 3.6±20% | 0.072 | 0.055 | 49 | 2.80 | 3.00 | 1.54 | 2.50 |
| FNR4020S4R7MT | 4.7±20% | 0.098 | 0.075 | 42 | 2.35 | 2.50 | 1.34 | 2.00 |
| FNR4020S5R1MT | 5.1±20% | 0.111 | 0.085 | 42 | 2.30 | 2.50 | 1.27 | 1.80 |
| FNR4020S5R6MT | 5.6±20% | 0.117 | 0.090 | 30 | 2.20 | 2.40 | 1.22 | 1.80 |
| FNR4020S6R2MT | 6.2±20% | 0.150 | 0.115 | 36 | 2.15 | 2.30 | 1.08 | 1.60 |
| FNR4020S6R8MT | 6.8±20% | 0.163 | 0.125 | 33 | 2.20 | 2.40 | 1.04 | 1.60 |
| FNR4020S7R5MT | 7.5±20% | 0.150 | 0.115 | 30 | 1.85 | 2.00 | 1.08 | 1.50 |
| FNR4020S8R2MT | 8.2±20% | 0.163 | 0.125 | 27 | 1.75 | 1.90 | 1.04 | 1.40 |
| FNR4020S100MT | 10±20% | 0.215 | 0.165 | 26 | 1.60 | 1.70 | 0.90 | 1.20 |
| FNR4020S120MT | 12±20% | 0.228 | 0.175 | 26 | 1.50 | 1.60 | 0.88 | 1.20 |
| FNR4020S150MT | 15±20% | 0.299 | 0.230 | 24 | 1.35 | 1.50 | 0.77 | 1.10 |
| FNR4020S220MT | 22±20% | 0.455 | 0.350 | 15 | 1.05 | 1.10 | 0.62 | 0.87 |
| FNR4020S270MT | 27±20% | 0.709 | 0.545 | 14 | 1.02 | 1.10 | 0.50 | 0.70 |

SPECIFICATIONS

FNR4020S Series

| Part Number | Inductance | DC Resistance | | Self-resonant Frequency | Saturation Current*3 | | Heat Rating Current*4 | |
|---------------|-------------|---------------|-------|-------------------------|----------------------|------|-----------------------|------|
| | @100kHz, 1V | Max. | Typ. | Min. | Max. | Typ. | Max. | Typ. |
| Units | μH | Ω | | MHz | A | | A | |
| Symbol | L | DCR | | S.R.F | Isat | | Irms | |
| FNR4020S330MT | 33±20% | 0.715 | 0.550 | 11 | 0.85 | 0.93 | 0.49 | 0.68 |
| FNR4020S390MT | 39±20% | 0.845 | 0.650 | 11 | 0.82 | 0.90 | 0.46 | 0.64 |
| FNR4020S430MT | 43±20% | 0.858 | 0.660 | 10 | 0.77 | 0.85 | 0.45 | 0.63 |
| FNR4020S470MT | 47±20% | 0.923 | 0.710 | 10 | 0.74 | 0.81 | 0.44 | 0.61 |
| FNR4020S510MT | 51±20% | 0.975 | 0.750 | 10 | 0.70 | 0.77 | 0.42 | 0.59 |
| FNR4020S560MT | 56±20% | 1.040 | 0.800 | 10 | 0.66 | 0.72 | 0.41 | 0.57 |
| FNR4020S620MT | 62±20% | 1.170 | 0.900 | 9.6 | 0.65 | 0.71 | 0.39 | 0.52 |
| FNR4020S680MT | 68±20% | 1.380 | 1.060 | 7.7 | 0.61 | 0.67 | 0.36 | 0.50 |
| FNR4020S750MT | 75±20% | 1.510 | 1.160 | 7.7 | 0.70 | 0.77 | 0.35 | 0.49 |
| FNR4020S820MT | 82±20% | 1.520 | 1.170 | 7.2 | 0.50 | 0.55 | 0.34 | 0.47 |
| FNR4020S101MT | 100±20% | 2.020 | 1.550 | 6.3 | 0.48 | 0.53 | 0.31 | 0.43 |

FNR4026S Series

| Part Number | Inductance | DC Resistance | | Self-resonant Frequency | Saturation Current*3 | | Heat Rating Current*4 | |
|---------------|-------------|---------------|-------|-------------------------|----------------------|------|-----------------------|------|
| | @100kHz, 1V | Max. | Typ. | Min. | Max. | Typ. | Max. | Typ. |
| Units | μH | Ω | | MHz | A | | A | |
| Symbol | L | DCR | | S.R.F | Isat | | Irms | |
| FNR4026S1R0NT | 1.0±30% | 0.031 | 0.024 | 151 | 3.30 | 3.80 | 3.00 | 3.30 |
| FNR4026S1R2NT | 1.2±30% | 0.039 | 0.030 | 120 | 3.10 | 3.40 | 2.30 | 3.30 |
| FNR4026S1R5NT | 1.5±30% | 0.039 | 0.030 | 100 | 2.40 | 2.90 | 2.30 | 3.10 |
| FNR4026S2R2MT | 2.2±20% | 0.052 | 0.040 | 96 | 2.10 | 2.40 | 2.00 | 3.80 |
| FNR4026S3R3MT | 3.3±20% | 0.065 | 0.050 | 58 | 1.80 | 2.00 | 1.70 | 2.50 |
| FNR4026S4R7MT | 4.7±20% | 0.072 | 0.055 | 46 | 1.45 | 1.70 | 1.60 | 2.30 |
| FNR4026S6R8MT | 6.8±20% | 0.085 | 0.065 | 33 | 1.30 | 1.50 | 1.50 | 2.00 |
| FNR4026S100MT | 10±20% | 0.110 | 0.085 | 26 | 1.00 | 1.20 | 1.30 | 1.90 |
| FNR4026S150MT | 15±20% | 0.143 | 0.110 | 19 | 0.90 | 1.00 | 1.10 | 1.50 |
| FNR4026S220MT | 22±20% | 0.214 | 0.165 | 13 | 0.60 | 0.80 | 0.90 | 1.40 |
| FNR4026S330MT | 33±20% | 0.351 | 0.270 | 9 | 0.55 | 0.65 | 0.70 | 1.00 |
| FNR4026S470MT | 47±20% | 0.390 | 0.300 | 6 | 0.40 | 0.55 | 0.65 | 0.90 |

FNR4030S Series

| Part Number | Inductance | DC Resistance | | Self-resonant Frequency | Saturation Current*3 | | Heat Rating Current*4 | |
|---------------|-------------|---------------|-------|-------------------------|----------------------|------|-----------------------|------|
| | @100kHz, 1V | Max. | Typ. | Min. | Max. | Typ. | Max. | Typ. |
| Units | μH | Ω | | MHz | A | | A | |
| Symbol | L | DCR | | S.R.F | Isat | | Irms | |
| FNR4030SR68NT | 0.68±30% | 0.013 | 0.010 | 130 | 6.80 | 8.00 | 4.56 | 5.10 |
| FNR4030SR91NT | 0.91±30% | 0.017 | 0.013 | 100 | 6.25 | 6.80 | 4.15 | 4.70 |
| FNR4030S1R0NT | 1.0±30% | 0.018 | 0.014 | 70 | 5.26 | 5.70 | 4.15 | 4.70 |
| FNR4030S1R2NT | 1.2±30% | 0.020 | 0.015 | 80 | 5.80 | 6.30 | 3.82 | 4.20 |
| FNR4030S1R5NT | 1.5±30% | 0.026 | 0.020 | 62 | 4.84 | 5.30 | 3.34 | 3.60 |
| FNR4030S1R8NT | 1.8±30% | 0.033 | 0.025 | 60 | 5.40 | 5.80 | 3.20 | 3.30 |
| FNR4030S2R2NT | 2.2±30% | 0.039 | 0.030 | 52 | 4.90 | 5.80 | 2.95 | 3.20 |
| FNR4030S3R3MT | 3.3±20% | 0.052 | 0.040 | 38 | 3.30 | 3.60 | 2.40 | 2.60 |
| FNR4030S3R6MT | 3.6±20% | 0.052 | 0.040 | 37 | 3.00 | 3.50 | 2.40 | 2.60 |
| FNR4030S3R9MT | 3.9±20% | 0.074 | 0.057 | 32 | 3.00 | 3.30 | 2.10 | 2.30 |

SPECIFICATIONS

FNR4030S Series

| Part Number | Inductance | DC Resistance | | Self-resonant Frequency | Saturation Current*3 | | Heat Rating Current*4 | |
|---------------|------------|---------------|-------|-------------------------|----------------------|------|-----------------------|------|
| | @100kHz,1V | Max. | Typ. | Min. | Max. | Typ. | Max. | Typ. |
| Units | μH | Ω | | MHz | A | | A | |
| Symbol | L | DCR | | S.R.F | Isat | | Irms | |
| FNR4030S4R3MT | 4.3±20% | 0.072 | 0.055 | 37 | 2.95 | 3.20 | 2.10 | 2.30 |
| FNR4030S4R7MT | 4.7±20% | 0.078 | 0.060 | 31 | 2.90 | 3.20 | 2.00 | 2.30 |
| FNR4030S5R6MT | 5.6±20% | 0.085 | 0.065 | 30 | 2.60 | 2.80 | 1.95 | 2.10 |
| FNR4030S6R8MT | 6.8±20% | 0.117 | 0.090 | 24 | 2.75 | 3.00 | 1.60 | 1.70 |
| FNR4030S7R5MT | 7.5±20% | 0.110 | 0.085 | 26 | 2.20 | 2.40 | 1.65 | 1.80 |
| FNR4030S8R2MT | 8.2±20% | 0.117 | 0.090 | 26 | 2.10 | 2.30 | 1.60 | 1.70 |
| FNR4030S100MT | 10±20% | 0.130 | 0.100 | 21 | 1.95 | 2.40 | 1.50 | 1.60 |
| FNR4030S120MT | 12±20% | 0.175 | 0.135 | 18 | 1.70 | 1.80 | 1.30 | 1.40 |
| FNR4030S150MT | 15±20% | 0.247 | 0.190 | 16 | 1.65 | 1.80 | 1.11 | 1.20 |
| FNR4030S180MT | 18±20% | 0.260 | 0.200 | 10 | 1.40 | 1.50 | 1.10 | 1.20 |
| FNR4030S220MT | 22±20% | 0.292 | 0.225 | 10 | 1.30 | 1.40 | 1.00 | 1.20 |
| FNR4030S270MT | 27±20% | 0.338 | 0.260 | 10 | 1.15 | 1.35 | 0.90 | 1.05 |
| FNR4030S330MT | 33±20% | 0.429 | 0.330 | 10 | 1.10 | 1.20 | 0.84 | 0.92 |
| FNR4030S360MT | 36±20% | 0.436 | 0.335 | 9.8 | 1.05 | 1.10 | 0.83 | 0.91 |
| FNR4030S390MT | 39±20% | 0.566 | 0.435 | 10 | 1.03 | 1.10 | 0.73 | 0.80 |
| FNR4030S470MT | 47±20% | 0.579 | 0.445 | 8.4 | 0.95 | 1.00 | 0.72 | 0.80 |
| FNR4030S510MT | 51±20% | 0.611 | 0.470 | 8.4 | 0.90 | 1.13 | 0.70 | 0.80 |
| FNR4030S560MT | 56±20% | 0.722 | 0.555 | 8.4 | 0.85 | 0.94 | 0.65 | 0.71 |
| FNR4030S620MT | 62±20% | 0.761 | 0.585 | 7 | 0.80 | 0.99 | 0.63 | 0.70 |
| FNR4030S680MT | 68±20% | 1.128 | 0.868 | 7 | 0.72 | 0.80 | 0.52 | 0.57 |
| FNR4030S750MT | 75±20% | 1.326 | 1.020 | 6.3 | 0.70 | 0.88 | 0.48 | 0.53 |
| FNR4030S820MT | 82±20% | 1.378 | 1.060 | 5.6 | 0.66 | 0.72 | 0.47 | 0.52 |
| FNR4030S910MT | 91±20% | 1.430 | 1.100 | 5.6 | 0.65 | 0.71 | 0.46 | 0.50 |
| FNR4030S101MT | 100±20% | 1.495 | 1.150 | 5.6 | 0.60 | 0.73 | 0.45 | 0.49 |
| FNR4030S121MT | 120±20% | 1.755 | 1.350 | 5.4 | 0.55 | 0.60 | 0.42 | 0.46 |
| FNR4030S151MT | 150±20% | 2.340 | 1.800 | 4 | 0.50 | 0.55 | 0.30 | 0.35 |
| FNR4030S221MT | 220±20% | 3.250 | 2.500 | 4.2 | 0.40 | 0.50 | 0.35 | 0.40 |
| FNR4030S331MT | 330±20% | 5.200 | 4.000 | 6.8 | 0.30 | 0.40 | 0.25 | 0.26 |
| FNR4030S471KT | 470±10% | 9.360 | 7.200 | 2 | 0.30 | 0.35 | 0.20 | 0.23 |
| FNR4030S501MT | 500±20% | 9.027 | 6.944 | 2 | 0.28 | 0.30 | 0.15 | 0.20 |
| FNR4030S681MT | 680±20% | 9.854 | 7.580 | 1.2 | 0.19 | 0.20 | 0.14 | 0.18 |

FNR5012S Series

| Part Number | Inductance | DC Resistance | | Self-resonant Frequency | Saturation Current*3 | | Heat Rating Current*4 | |
|---------------|------------|---------------|-------|-------------------------|----------------------|------|-----------------------|------|
| | @100kHz,1V | Max. | Typ. | Min. | Max. | Typ. | Max. | Typ. |
| Units | μH | Ω | | MHz | A | | A | |
| Symbol | L | DCR | | S.R.F | Isat | | Irms | |
| FNR5012SR22NT | 0.22±30% | 0.034 | 0.028 | 315 | 8.10 | 9.30 | 3.00 | 3.30 |
| FNR5012S1R0NT | 1.0±30% | 0.068 | 0.057 | 103 | 4.40 | 4.70 | 2.00 | 2.40 |
| FNR5012S1R5NT | 1.5±30% | 0.086 | 0.072 | 68 | 3.70 | 3.80 | 1.90 | 2.20 |
| FNR5012S2R2NT | 2.2±30% | 0.108 | 0.090 | 50 | 3.10 | 3.20 | 1.70 | 2.00 |
| FNR5012S3R3NT | 3.3±30% | 0.151 | 0.126 | 34 | 2.40 | 2.60 | 1.40 | 1.70 |
| FNR5012S4R7NT | 4.7±30% | 0.197 | 0.164 | 31 | 2.20 | 2.30 | 1.30 | 1.50 |
| FNR5012S6R8MT | 6.8±20% | 0.294 | 0.245 | 22 | 1.70 | 1.90 | 1.00 | 1.20 |
| FNR5012S100MT | 10±20% | 0.413 | 0.344 | 17 | 1.40 | 1.50 | 0.85 | 1.00 |
| FNR5012S150MT | 15±20% | 0.523 | 0.436 | 13 | 1.20 | 1.30 | 0.80 | 0.92 |
| FNR5012S220MT | 22±20% | 0.858 | 0.780 | 16 | 0.88 | 0.98 | 0.60 | 0.68 |

SPECIFICATIONS

FNR5015S Series

| Part Number | Inductance | DC Resistance | | Self-resonant Frequency | Saturation Current*3 | | Heat Rating Current*4 | |
|---------------|---------------|---------------|-------|-------------------------|----------------------|------|-----------------------|------|
| | @100kHz,0.25V | Max. | Typ. | Min. | Max. | Typ. | Max. | Typ. |
| Units | μH | Ω | | MHz | A | | A | |
| Symbol | L | DCR | | S.R.F | Isat | | Irms | |
| FNR5015SR22NT | 0.22±30% | 0.026 | 0.020 | 284 | 7.60 | 9.60 | 3.50 | 4.00 |
| FNR5015SR68NT | 0.68±30% | 0.036 | 0.028 | 108 | 6.00 | 6.60 | 2.90 | 3.20 |
| FNR5015S1R0NT | 1.0±30% | 0.046 | 0.035 | 93 | 4.50 | 5.00 | 2.80 | 3.10 |
| FNR5015S1R5NT | 1.5±30% | 0.065 | 0.050 | 62 | 3.50 | 4.60 | 2.50 | 2.80 |
| FNR5015S2R2NT | 2.2±30% | 0.085 | 0.065 | 45 | 3.00 | 3.80 | 2.20 | 2.50 |
| FNR5015S3R3NT | 3.3±30% | 0.104 | 0.080 | 31 | 2.50 | 3.00 | 1.90 | 2.10 |
| FNR5015S4R7NT | 4.7±30% | 0.130 | 0.100 | 28 | 2.10 | 2.80 | 1.60 | 1.80 |
| FNR5015S6R8MT | 6.8±20% | 0.195 | 0.150 | 20 | 1.65 | 2.10 | 1.40 | 1.60 |
| FNR5015S100MT | 10±20% | 0.260 | 0.200 | 15 | 1.45 | 1.60 | 1.20 | 1.35 |
| FNR5015S150MT | 15±20% | 0.416 | 0.320 | 12 | 1.20 | 1.20 | 0.85 | 0.96 |
| FNR5015S220MT | 22±20% | 0.585 | 0.450 | 15 | 1.00 | 1.20 | 0.75 | 0.85 |
| FNR5015S330MT | 33±20% | 1.010 | 0.780 | 9 | 0.95 | 1.10 | 0.58 | 0.65 |
| FNR5015S470MT | 47±20% | 1.560 | 1.200 | 6 | 0.88 | 0.95 | 0.40 | 0.45 |
| FNR5015S680MT | 68±20% | 2.470 | 1.900 | 5 | 0.72 | 0.80 | 0.35 | 0.39 |

FNR5020S Series

| Part Number | Inductance | DC Resistance | | Self-resonant Frequency | Saturation Current*3 | | Heat Rating Current*4 | |
|---------------|------------|---------------|-------|-------------------------|----------------------|-------|-----------------------|------|
| | @100kHz,1V | Max. | Typ. | Min. | Max. | Typ. | Max. | Typ. |
| Units | μH | Ω | | MHz | A | | A | |
| Symbol | L | DCR | | S.R.F | Isat | | Irms | |
| FNR5020SR22NT | 0.22±30% | 0.011 | 0.009 | 280 | 9.00 | 12.00 | 5.30 | 6.00 |
| FNR5020SR24NT | 0.24±30% | 0.011 | 0.009 | 248 | 8.00 | 10.00 | 5.30 | 6.00 |
| FNR5020SR47NT | 0.47±30% | 0.017 | 0.013 | 160 | 6.15 | 6.70 | 4.60 | 5.00 |
| FNR5020SR56NT | 0.56±30% | 0.022 | 0.017 | 137 | 8.50 | 9.60 | 3.80 | 4.20 |
| FNR5020SR68NT | 0.68±30% | 0.022 | 0.017 | 120 | 5.50 | 6.00 | 4.00 | 4.40 |
| FNR5020SR75NT | 0.75±30% | 0.022 | 0.017 | 117 | 5.50 | 6.00 | 4.00 | 4.40 |
| FNR5020S1R0NT | 1.0±30% | 0.026 | 0.020 | 114 | 4.10 | 5.00 | 3.80 | 4.10 |
| FNR5020S1R2NT | 1.2±30% | 0.029 | 0.022 | 83 | 4.50 | 4.90 | 3.55 | 3.90 |
| FNR5020S1R5NT | 1.5±30% | 0.034 | 0.026 | 68 | 4.10 | 4.50 | 3.20 | 3.50 |
| FNR5020S2R2NT | 2.2±30% | 0.042 | 0.032 | 57 | 3.20 | 4.00 | 2.90 | 3.10 |
| FNR5020S2R7NT | 2.7±30% | 0.049 | 0.038 | 52 | 2.90 | 3.50 | 2.70 | 2.90 |
| FNR5020S3R0NT | 3.0±30% | 0.049 | 0.038 | 49 | 2.55 | 2.80 | 2.70 | 2.90 |
| FNR5020S3R3NT | 3.3±30% | 0.056 | 0.043 | 46 | 2.55 | 3.00 | 2.50 | 2.70 |
| FNR5020S3R6NT | 3.6±30% | 0.056 | 0.043 | 43 | 2.80 | 3.00 | 2.50 | 2.70 |
| FNR5020S3R9NT | 3.9±30% | 0.056 | 0.043 | 40 | 2.30 | 2.80 | 2.50 | 2.70 |
| FNR5020S4R3MT | 4.3±20% | 0.074 | 0.057 | 37 | 2.50 | 3.00 | 2.20 | 2.40 |
| FNR5020S4R7MT | 4.7±20% | 0.074 | 0.057 | 37 | 2.50 | 2.70 | 2.20 | 2.40 |
| FNR5020S5R1MT | 5.1±20% | 0.083 | 0.064 | 32 | 2.25 | 2.60 | 2.05 | 2.20 |
| FNR5020S5R6MT | 5.6±20% | 0.083 | 0.064 | 32 | 2.30 | 2.50 | 2.05 | 2.20 |
| FNR5020S6R8MT | 6.8±20% | 0.108 | 0.083 | 30 | 2.05 | 2.20 | 1.80 | 1.90 |

SPECIFICATIONS

FNR5020S Series

| Part Number | Inductance | DC Resistance | | Self-resonant Frequency | Saturation Current*3 | | Heat Rating Current*4 | |
|---------------|------------|---------------|-------|-------------------------|----------------------|------|-----------------------|------|
| | @100kHz,1V | Max. | Typ. | Min. | Max. | Typ. | Max. | Typ. |
| Units | μH | Ω | | MHz | A | | A | |
| Symbol | L | DCR | | S.R.F | Isat | | Irms | |
| FNR5020S7R5MT | 7.5±20% | 0.117 | 0.090 | 26 | 1.85 | 2.00 | 1.75 | 1.90 |
| FNR5020S8R2MT | 8.2±20% | 0.127 | 0.098 | 26 | 1.85 | 2.00 | 1.65 | 1.80 |
| FNR5020S9R1MT | 9.1±20% | 0.143 | 0.110 | 24 | 1.70 | 1.80 | 1.55 | 1.70 |
| FNR5020S100MT | 10±20% | 0.143 | 0.110 | 24 | 1.70 | 1.80 | 1.55 | 1.70 |
| FNR5020S120MT | 12±20% | 0.182 | 0.140 | 22 | 1.50 | 1.60 | 1.40 | 1.50 |
| FNR5020S150MT | 15±20% | 0.215 | 0.165 | 20 | 1.35 | 1.40 | 1.25 | 1.30 |
| FNR5020S180MT | 18±20% | 0.260 | 0.200 | 16 | 1.25 | 1.30 | 1.15 | 1.20 |
| FNR5020S220MT | 22±20% | 0.294 | 0.226 | 14 | 1.15 | 1.20 | 1.10 | 1.20 |
| FNR5020S330MT | 33±20% | 0.507 | 0.390 | 10 | 0.92 | 1.00 | 0.90 | 0.99 |
| FNR5020S470MT | 47±20% | 0.680 | 0.523 | 7 | 0.77 | 0.84 | 0.77 | 0.84 |
| FNR5020S560MT | 56±20% | 0.819 | 0.630 | 6 | 0.77 | 0.84 | 0.70 | 0.77 |
| FNR5020S680MT | 68±20% | 0.962 | 0.740 | 6 | 0.65 | 0.70 | 0.64 | 0.70 |
| FNR5020S820MT | 82±20% | 1.158 | 0.965 | 6 | 0.65 | 0.75 | 0.50 | 0.60 |
| FNR5020S101MT | 100±20% | 1.430 | 1.100 | 6 | 0.53 | 0.58 | 0.53 | 0.58 |
| FNR5020S121MT | 120±20% | 1.755 | 1.350 | 6 | 0.42 | 0.53 | 0.40 | 0.50 |
| FNR5020S201MT | 200±20% | 2.600 | 2.000 | 4.5 | 0.30 | 0.33 | 0.40 | 0.45 |

FNR5030S Series

| Part Number | Inductance | DC Resistance | | Self-resonant Frequency | Saturation Current*3 | | Heat Rating Current*4 | |
|---------------|---------------|---------------|-------|-------------------------|----------------------|------|-----------------------|------|
| | @100kHz,0.25V | Max. | Typ. | Min. | Max. | Typ. | Max. | Typ. |
| Units | μH | Ω | | MHz | A | | A | |
| Symbol | L | DCR | | S.R.F | Isat | | Irms | |
| FNR5030SR47NT | 0.47±30% | 0.013 | 0.010 | 144 | 9.00 | 11.0 | 5.00 | 5.60 |
| FNR5030S1R0NT | 1.0±30% | 0.020 | 0.015 | 103 | 6.65 | 7.80 | 4.00 | 4.50 |
| FNR5030S1R5NT | 1.5±30% | 0.021 | 0.016 | 61 | 4.80 | 6.00 | 3.90 | 4.36 |
| FNR5030S2R2MT | 2.2±20% | 0.030 | 0.023 | 52 | 4.20 | 5.00 | 3.50 | 3.95 |
| FNR5030S3R3MT | 3.3±20% | 0.039 | 0.030 | 42 | 3.60 | 4.60 | 3.00 | 3.40 |
| FNR5030S4R7MT | 4.7±20% | 0.046 | 0.035 | 33 | 3.10 | 3.50 | 2.60 | 2.90 |
| FNR5030S6R8MT | 6.8±20% | 0.068 | 0.052 | 27 | 2.50 | 3.00 | 2.30 | 2.60 |
| FNR5030S100MT | 10±20% | 0.091 | 0.070 | 22 | 1.90 | 2.30 | 1.70 | 1.90 |
| FNR5030S150MT | 15±20% | 0.163 | 0.125 | 18 | 1.60 | 1.80 | 1.40 | 1.60 |
| FNR5030S220MT | 22±20% | 0.234 | 0.180 | 13 | 1.40 | 1.50 | 1.05 | 1.20 |
| FNR5030S270MT | 27±20% | 0.247 | 0.190 | 10 | 1.30 | 1.40 | 0.90 | 1.00 |
| FNR5030S330MT | 33±20% | 0.293 | 0.225 | 9 | 1.15 | 1.30 | 0.80 | 0.90 |
| FNR5030S470MT | 47±20% | 0.423 | 0.325 | 6 | 0.95 | 1.10 | 0.70 | 0.78 |
| FNR5030S560MT | 56±20% | 0.546 | 0.420 | 5 | 0.89 | 0.92 | 0.65 | 0.70 |
| FNR5030S680MT | 68±20% | 0.618 | 0.475 | 5 | 0.85 | 0.90 | 0.60 | 0.76 |
| FNR5030S101MT | 100±20% | 0.936 | 0.720 | 5 | 0.58 | 0.70 | 0.59 | 0.75 |
| FNR5030S151MT | 150±20% | 1.370 | 1.050 | 3 | 0.56 | 0.68 | 0.55 | 0.60 |
| FNR5030S221MT | 220±20% | 1.690 | 1.300 | 3 | 0.50 | 0.60 | 0.45 | 0.51 |

SPECIFICATIONS

FNR5040S Series

| Part Number | Inductance | DC Resistance | | Self-resonant Frequency | Saturation Current*3 | | Heat Rating Current*4 | |
|---------------|-------------|---------------|-------|-------------------------|----------------------|-------|-----------------------|-------|
| | @100kHz, 1V | Max. | Typ. | Min. | Max. | Typ. | Max. | Typ. |
| Units | μH | Ω | | MHz | A | | A | |
| Symbol | L | DCR | | S.R.F | Isat | | Irms | |
| FNR5040SR22MT | 0.22±20% | 0.008 | 0.006 | 289 | 18.00 | 20.00 | 6.50 | 7.50 |
| FNR5040SR24NT | 0.24±30% | 0.008 | 0.006 | 251 | 15.70 | 18.00 | 6.40 | 7.40 |
| FNR5040SR47MT | 0.47±20% | 0.009 | 0.007 | 171 | 10.00 | 11.50 | 6.60 | 7.60 |
| FNR5040S1R0NT | 1.0±30% | 0.016 | 0.012 | 117 | 7.35 | 8.00 | 4.90 | 5.00 |
| FNR5040S1R2NT | 1.2±30% | 0.021 | 0.016 | 110 | 6.50 | 7.00 | 4.15 | 4.25 |
| FNR5040S1R5NT | 1.5±30% | 0.020 | 0.015 | 86 | 6.30 | 6.80 | 4.30 | 4.85 |
| FNR5040S1R8MT | 1.8±20% | 0.021 | 0.016 | 55 | 5.50 | 6.05 | 4.15 | 4.30 |
| FNR5040S2R2NT | 2.2±30% | 0.025 | 0.019 | 50 | 4.90 | 5.50 | 3.80 | 4.20 |
| FNR5040S2R7NT | 2.7±30% | 0.029 | 0.022 | 37 | 4.30 | 4.80 | 3.60 | 4.00 |
| FNR5040S3R0NT | 3.0±30% | 0.029 | 0.022 | 37 | 4.15 | 4.60 | 3.60 | 4.00 |
| FNR5040S3R3NT | 3.3±30% | 0.031 | 0.024 | 32 | 3.95 | 4.45 | 3.40 | 3.90 |
| FNR5040S3R6MT | 3.6±20% | 0.034 | 0.026 | 30 | 3.80 | 4.40 | 3.30 | 3.70 |
| FNR5040S3R9NT | 3.9±30% | 0.035 | 0.027 | 29 | 3.55 | 4.00 | 3.20 | 3.70 |
| FNR5040S4R7NT | 4.7±30% | 0.039 | 0.030 | 28 | 3.50 | 3.80 | 3.00 | 3.30 |
| FNR5040S5R6MT | 5.6±20% | 0.046 | 0.035 | 27 | 3.00 | 3.70 | 2.80 | 3.10 |
| FNR5040S6R8MT | 6.8±20% | 0.056 | 0.043 | 21 | 2.90 | 3.40 | 2.50 | 2.80 |
| FNR5040S8R2MT | 8.2±20% | 0.062 | 0.048 | 20 | 2.70 | 2.90 | 2.30 | 2.60 |
| FNR5040S100MT | 10±20% | 0.083 | 0.064 | 18 | 2.35 | 2.70 | 2.10 | 2.35 |
| FNR5040S120MT | 12±20% | 0.100 | 0.077 | 14 | 2.2 | 2.5 | 2.0 | 2.1 |
| FNR5040S150MT | 15±20% | 0.112 | 0.086 | 13 | 2.00 | 2.20 | 2.00 | 2.05 |
| FNR5040S180MT | 18±20% | 0.155 | 0.119 | 12 | 1.70 | 2.00 | 1.45 | 1.65 |
| FNR5040S220MT | 22±20% | 0.168 | 0.129 | 11 | 1.60 | 1.80 | 1.50 | 1.60 |
| FNR5040S270MT | 27±20% | 0.244 | 0.188 | 9.8 | 1.52 | 1.75 | 1.10 | 1.25 |
| FNR5040S330MT | 33±20% | 0.244 | 0.188 | 9 | 1.30 | 1.45 | 1.20 | 1.35 |
| FNR5040S470MT | 47±20% | 0.354 | 0.272 | 7 | 1.10 | 1.20 | 1.00 | 1.15 |
| FNR5040S510MT | 51±20% | 0.494 | 0.380 | 6 | 1.00 | 1.20 | 1.00 | 1.10 |
| FNR5040S560MT | 56±20% | 0.494 | 0.380 | 6 | 1.05 | 1.20 | 0.80 | 0.90 |
| FNR5040S680MT | 68±20% | 0.520 | 0.400 | 6 | 0.90 | 1.00 | 0.80 | 0.90 |
| FNR5040S750MT | 75±20% | 0.585 | 0.450 | 6 | 0.85 | 0.95 | 0.72 | 0.80 |
| FNR5040S101MT | 100±20% | 0.728 | 0.560 | 5 | 0.75 | 0.85 | 0.70 | 0.78 |
| FNR5040S151MT | 150±20% | 0.975 | 0.750 | 3.7 | 0.65 | 0.67 | 0.60 | 0.70 |
| FNR5040S221MT | 220±20% | 1.820 | 1.400 | 3.0 | 0.48 | 0.55 | 0.40 | 0.50 |
| FNR5040S301MT | 300±20% | 2.600 | 2.000 | 2.7 | 0.50 | 0.58 | 0.35 | 0.40 |
| FNR5040S331MT | 330±20% | 2.730 | 2.100 | 2.7 | 0.42 | 0.47 | 0.40 | 0.50 |
| FNR5040S471MT | 470±20% | 3.900 | 3.000 | 2.7 | 0.37 | 0.43 | 0.35 | 0.40 |
| FNR5040S561MT | 560±20% | 4.920 | 3.780 | 1.3 | 0.31 | 0.36 | 0.31 | 0.35 |
| FNR5040S681MT | 680±20% | 5.070 | 3.900 | 1.3 | 0.30 | 0.35 | 0.25 | 0.30 |
| FNR5040S102MT | 1000±20% | 7.800 | 6.000 | 1.3 | 0.21 | 0.25 | 0.20 | 0.23 |
| FNR5040S332MT | 3300±20% | 25.20 | 21.00 | 0.9 | 0.140 | 0.150 | 0.100 | 0.120 |
| FNR5040S392MT | 3900±20% | 30.55 | 23.50 | 0.8 | 0.125 | 0.150 | 0.100 | 0.115 |
| FNR5040S472MT | 4700±20% | 45.50 | 35.00 | 0.6 | 0.110 | 0.130 | 0.080 | 0.100 |
| FNR5040S502MT | 5000±20% | 43.16 | 35.97 | 0.49 | 0.110 | 0.130 | 0.085 | 0.098 |
| FNR5040S562MT | 5600±20% | 50.70 | 39.00 | 0.49 | 0.105 | 0.120 | 0.080 | 0.092 |
| FNR5040S682MT | 6800±20% | 55.90 | 43.00 | 0.38 | 0.090 | 0.110 | 0.075 | 0.086 |
| FNR5040S822MT | 8200±20% | 55.90 | 43.00 | 0.38 | 0.070 | 0.085 | 0.075 | 0.086 |
| FNR5040S103MT | 10000±20% | 58.50 | 45.00 | 0.32 | 0.065 | 0.075 | 0.075 | 0.086 |

SPECIFICATIONS

FNR5045S Series

| Part Number | Inductance | DC Resistance | | Self-resonant Frequency | Saturation Current*3 | | Heat Rating Current*4 | |
|---------------|------------|---------------|-------|-------------------------|----------------------|------|-----------------------|------|
| | @100kHz,1V | Max. | Typ. | Min. | Max. | Typ. | Max. | Typ. |
| Units | μH | Ω | | MHz | A | | A | |
| Symbol | L | DCR | | S.R.F | Isat | | Irms | |
| FNR5045S2R2MT | 2.2±20% | 0.029 | 0.022 | 50 | 6.40 | 7.20 | 4.70 | 5.40 |
| FNR5045S100MT | 10±20% | 0.079 | 0.061 | 17 | 3.20 | 3.70 | 2.50 | 2.90 |
| FNR5045S220MT | 22±20% | 0.163 | 0.125 | 10 | 2.00 | 2.35 | 1.55 | 1.80 |

FNR6020S Series

| Part Number | Inductance | DC Resistance | | Self-resonant Frequency | Saturation Current*3 | | Heat Rating Current*4 | |
|---------------|------------|---------------|-------|-------------------------|----------------------|------|-----------------------|------|
| | @100kHz,1V | Max. | Typ. | Min. | Max. | Typ. | Max. | Typ. |
| Units | μH | Ω | | MHz | A | | A | |
| Symbol | L | DCR | | S.R.F | Isat | | Irms | |
| FNR6020SR50NT | 0.50±30% | 0.018 | 0.014 | 120 | 4.50 | 6.00 | 4.00 | 5.00 |
| FNR6020SR68NT | 0.68±30% | 0.022 | 0.017 | 115 | 6.55 | 7.80 | 3.80 | 4.80 |
| FNR6020SR82NT | 0.82±30% | 0.022 | 0.017 | 110 | 5.30 | 6.30 | 3.80 | 4.80 |
| FNR6020S1R0NT | 1.0±30% | 0.020 | 0.020 | 100 | 4.15 | 5.00 | 3.50 | 4.40 |
| FNR6020S1R2NT | 1.2±30% | 0.029 | 0.022 | 88 | 5.90 | 7.00 | 3.20 | 4.00 |
| FNR6020S1R5NT | 1.5±30% | 0.029 | 0.022 | 79 | 4.25 | 5.10 | 3.20 | 4.00 |
| FNR6020S1R8NT | 1.8±30% | 0.036 | 0.028 | 68 | 4.85 | 5.80 | 2.75 | 3.50 |
| FNR6020S2R0NT | 2.0±30% | 0.046 | 0.035 | 65 | 4.10 | 4.90 | 2.60 | 3.30 |
| FNR6020S2R2NT | 2.2±30% | 0.036 | 0.028 | 61 | 3.75 | 4.50 | 2.75 | 3.50 |
| FNR6020S2R7NT | 2.7±30% | 0.046 | 0.035 | 56 | 3.90 | 4.60 | 2.60 | 3.30 |
| FNR6020S3R3NT | 3.3±30% | 0.046 | 0.035 | 51 | 3.15 | 3.70 | 2.60 | 3.30 |
| FNR6020S3R9NT | 3.9±30% | 0.064 | 0.049 | 45 | 3.25 | 3.90 | 2.10 | 2.60 |
| FNR6020S4R3NT | 4.3±30% | 0.064 | 0.049 | 44 | 2.70 | 3.20 | 2.10 | 2.60 |
| FNR6020S4R7NT | 4.7±30% | 0.075 | 0.058 | 41 | 3.00 | 3.60 | 2.00 | 2.50 |
| FNR6020S5R6NT | 5.6±30% | 0.075 | 0.058 | 36 | 2.40 | 2.90 | 1.90 | 2.40 |
| FNR6020S6R2NT | 6.2±30% | 0.103 | 0.079 | 31 | 2.30 | 2.70 | 1.80 | 2.30 |
| FNR6020S6R8NT | 6.8±30% | 0.103 | 0.079 | 31 | 2.20 | 2.60 | 1.80 | 2.30 |
| FNR6020S8R2NT | 8.2±30% | 0.137 | 0.105 | 27 | 2.10 | 2.50 | 1.40 | 1.80 |
| FNR6020S100MT | 10±20% | 0.137 | 0.105 | 27 | 1.75 | 2.10 | 1.40 | 1.80 |
| FNR6020S120MT | 12±20% | 0.156 | 0.120 | 25 | 1.45 | 1.70 | 1.30 | 1.60 |
| FNR6020S150MT | 15±20% | 0.189 | 0.145 | 21 | 1.20 | 1.40 | 1.20 | 1.50 |
| FNR6020S180MT | 18±20% | 0.234 | 0.180 | 18 | 1.20 | 1.40 | 1.08 | 1.40 |
| FNR6020S220MT | 22±20% | 0.265 | 0.204 | 16 | 1.05 | 1.20 | 1.00 | 1.30 |
| FNR6020S330MT | 33±20% | 0.390 | 0.300 | 11 | 0.95 | 1.10 | 0.84 | 1.05 |
| FNR6020S470MT | 47±20% | 0.559 | 0.430 | 10 | 0.70 | 0.90 | 0.80 | 0.90 |
| FNR6020S331MT | 330±20% | 3.419 | 2.630 | 3 | 0.27 | 0.33 | 0.33 | 0.39 |

FNR6028S Series

| Part Number | Inductance | DC Resistance | | Self-resonant Frequency | Saturation Current*3 | | Heat Rating Current*4 | |
|---------------|------------|---------------|-------|-------------------------|----------------------|------|-----------------------|------|
| | @100kHz,1V | Max. | Typ. | Min. | Max. | Typ. | Max. | Typ. |
| Units | μH | Ω | | MHz | A | | A | |
| Symbol | L | DCR | | S.R.F | Isat | | Irms | |
| FNR6028SR82NT | 0.82±30% | 0.016 | 0.012 | 97 | 6.50 | 9.00 | 5.20 | 6.00 |
| FNR6028S1R0NT | 1.0±30% | 0.013 | 0.010 | 70 | 5.75 | 7.00 | 5.20 | 5.70 |
| FNR6028S1R2NT | 1.2±30% | 0.017 | 0.013 | 69 | 6.40 | 7.50 | 4.58 | 5.00 |
| FNR6028S1R5NT | 1.5±30% | 0.017 | 0.013 | 65 | 6.00 | 6.60 | 4.58 | 5.00 |
| FNR6028S2R2NT | 2.2±30% | 0.026 | 0.020 | 48 | 5.10 | 5.60 | 3.75 | 4.10 |
| FNR6028S2R7NT | 2.7±30% | 0.026 | 0.020 | 48 | 3.80 | 4.10 | 3.75 | 4.10 |

Specifications subject to change without notice. Please check our website for latest informations.

SPECIFICATIONS

FNR6028S Series

| Part Number | Inductance | DC Resistance | | Self-resonant Frequency | Saturation Current*3 | | Heat Rating Current*4 | |
|---------------|-------------|---------------|-------|-------------------------|----------------------|------|-----------------------|------|
| | @100kHz, 1V | Max. | Typ. | Min. | Max. | Typ. | Max. | Typ. |
| Units | μH | Ω | | MHz | A | | A | |
| Symbol | L | DCR | | S.R.F | Isat | | Irms | |
| FNR6028S3R3NT | 3.3±30% | 0.033 | 0.025 | 41 | 4.15 | 4.50 | 3.48 | 3.80 |
| FNR6028S4R7NT | 4.7±30% | 0.039 | 0.030 | 35 | 3.00 | 3.30 | 3.08 | 3.40 |
| FNR6028S5R1NT | 5.1±30% | 0.056 | 0.043 | 32 | 3.20 | 3.50 | 2.60 | 2.80 |
| FNR6028S6R2MT | 6.2±20% | 0.061 | 0.047 | 30 | 3.05 | 3.30 | 2.40 | 2.60 |
| FNR6028S6R8MT | 6.8±20% | 0.061 | 0.047 | 27 | 2.60 | 3.00 | 2.40 | 2.60 |
| FNR6028S8R2MT | 8.2±20% | 0.072 | 0.055 | 24 | 2.30 | 2.50 | 2.25 | 2.50 |
| FNR6028S9R1MT | 9.1±20% | 0.096 | 0.074 | 24 | 2.55 | 2.80 | 2.15 | 2.40 |
| FNR6028S100MT | 10±20% | 0.094 | 0.072 | 23 | 2.04 | 2.50 | 1.95 | 2.40 |
| FNR6028S120MT | 12±20% | 0.104 | 0.080 | 18 | 1.80 | 2.00 | 1.85 | 2.00 |
| FNR6028S150MT | 15±20% | 0.163 | 0.125 | 18 | 1.75 | 1.90 | 1.45 | 1.60 |
| FNR6028S180MT | 18±20% | 0.156 | 0.120 | 15 | 1.52 | 1.80 | 1.45 | 1.60 |
| FNR6028S220MT | 22±20% | 0.182 | 0.140 | 14 | 1.45 | 1.80 | 1.40 | 1.60 |
| FNR6028S270MT | 27±20% | 0.202 | 0.155 | 13 | 1.50 | 1.60 | 1.32 | 1.40 |
| FNR6028S330MT | 33±20% | 0.241 | 0.185 | 12 | 1.35 | 1.50 | 1.22 | 1.30 |
| FNR6028S360MT | 36±20% | 0.280 | 0.215 | 11 | 1.25 | 1.40 | 1.13 | 1.20 |
| FNR6028S390MT | 39±20% | 0.293 | 0.225 | 11 | 1.25 | 1.40 | 1.10 | 1.20 |
| FNR6028S470MT | 47±20% | 0.410 | 0.315 | 9.5 | 1.15 | 1.30 | 1.06 | 1.10 |
| FNR6028S560MT | 56±20% | 0.449 | 0.345 | 8.2 | 1.05 | 1.20 | 0.89 | 1.00 |
| FNR6028S680MT | 68±20% | 0.468 | 0.360 | 7.7 | 0.80 | 0.95 | 0.86 | 0.95 |
| FNR6028S750MT | 75±20% | 0.533 | 0.410 | 7.7 | 0.90 | 0.99 | 0.81 | 0.90 |
| FNR6028S820MT | 82±20% | 0.650 | 0.500 | 7.7 | 0.80 | 0.88 | 0.70 | 0.77 |
| FNR6028S101MT | 100±20% | 0.650 | 0.500 | 7.1 | 0.65 | 0.71 | 0.70 | 0.77 |
| FNR6028S401MT | 400±20% | 2.808 | 2.160 | 2.8 | 0.30 | 0.33 | 0.40 | 0.45 |
| FNR6028S102MT | 1000±20% | 7.540 | 5.800 | 1.5 | 0.18 | 0.22 | 0.23 | 0.26 |

FNR6040S Series

| Part Number | Inductance | DC Resistance | | Self-resonant Frequency | Saturation Current*3 | | Heat Rating Current*4 | |
|---------------|-------------|---------------|-------|-------------------------|----------------------|------|-----------------------|------|
| | @100kHz, 1V | Max. | Typ. | Min. | Max. | Typ. | Max. | Typ. |
| Units | μH | Ω | | MHz | A | | A | |
| Symbol | L | DCR | | S.R.F | Isat | | Irms | |
| FNR6040S1R0MT | 1.0±20% | 0.010 | 0.008 | 97 | 7.85 | 9.05 | 6.30 | 7.20 |
| FNR6040S100MT | 10±20% | 0.062 | 0.048 | 16 | 3.20 | 3.50 | 2.45 | 2.80 |
| FNR6040S120MT | 12±20% | 0.075 | 0.058 | 14 | 2.80 | 3.25 | 2.20 | 2.55 |
| FNR6040S150MT | 15±20% | 0.088 | 0.068 | 13 | 2.50 | 3.00 | 2.05 | 2.35 |
| FNR6040S220MT | 22±20% | 0.116 | 0.089 | 10 | 2.05 | 2.50 | 1.80 | 2.05 |
| FNR6040S330MT | 33±20% | 0.178 | 0.137 | 9.9 | 1.65 | 2.00 | 1.45 | 1.65 |
| FNR6040S680MT | 68±20% | 0.370 | 0.285 | 5.6 | 1.15 | 1.40 | 0.95 | 1.10 |
| FNR6040S471MT | 470±20% | 2.500 | 1.790 | 2.0 | 0.42 | 0.50 | 0.47 | 0.55 |

SPECIFICATIONS

FNR6045S Series

| Part Number | Inductance | DC Resistance | | Self-resonant Frequency | Saturation Current*3 | | Heat Rating Current*4 | |
|---------------|------------|---------------|-------|-------------------------|----------------------|-------|-----------------------|------|
| | @100kHz,1V | Max. | Typ. | Min. | Max. | Typ. | Max. | Typ. |
| Units | μH | Ω | | MHz | A | | A | |
| Symbol | L | DCR | | S.R.F | Isat | | Irms | |
| FNR6045SR47NT | 0.47±30% | 0.008 | 0.006 | 155 | 15.00 | 16.50 | 6.50 | 6.60 |
| FNR6045SR56NT | 0.56±30% | 0.008 | 0.006 | 142 | 14.00 | 15.00 | 6.50 | 7.50 |
| FNR6045SR68NT | 0.68±30% | 0.008 | 0.006 | 99 | 11.00 | 12.00 | 5.70 | 6.50 |
| FNR6045SR82NT | 0.82±30% | 0.010 | 0.008 | 140 | 10.35 | 11.00 | 5.90 | 6.50 |
| FNR6045S1R0NT | 1.0±30% | 0.014 | 0.011 | 100 | 9.85 | 10.00 | 5.14 | 5.60 |
| FNR6045S1R2NT | 1.2±30% | 0.013 | 0.010 | 100 | 8.35 | 9.10 | 5.40 | 5.90 |
| FNR6045S1R3NT | 1.3±30% | 0.013 | 0.010 | 100 | 8.35 | 9.10 | 5.40 | 5.90 |
| FNR6045S1R5NT | 1.5±30% | 0.016 | 0.012 | 65 | 8.80 | 9.70 | 4.95 | 5.40 |
| FNR6045S1R8NT | 1.8±30% | 0.016 | 0.012 | 74 | 7.60 | 8.40 | 4.95 | 5.40 |
| FNR6045S2R2NT | 2.2±30% | 0.018 | 0.014 | 52 | 6.75 | 7.40 | 4.60 | 5.00 |
| FNR6045S2R3NT | 2.3±30% | 0.027 | 0.021 | 60 | 6.00 | 6.60 | 3.50 | 3.80 |
| FNR6045S2R7NT | 2.7±30% | 0.020 | 0.015 | 38 | 5.75 | 6.30 | 4.30 | 4.70 |
| FNR6045S3R0NT | 3.0±30% | 0.026 | 0.020 | 35 | 5.60 | 6.20 | 3.80 | 4.20 |
| FNR6045S3R3NT | 3.3±30% | 0.027 | 0.021 | 32 | 5.90 | 6.20 | 3.70 | 4.00 |
| FNR6045S3R6NT | 3.6±30% | 0.027 | 0.021 | 28 | 5.25 | 5.70 | 3.70 | 4.00 |
| FNR6045S4R3MT | 4.3±20% | 0.030 | 0.023 | 23 | 4.45 | 4.90 | 3.50 | 3.80 |
| FNR6045S4R5MT | 4.5±20% | 0.034 | 0.026 | 24 | 4.97 | 5.50 | 3.30 | 3.60 |
| FNR6045S4R7MT | 4.7±20% | 0.034 | 0.026 | 24 | 4.97 | 5.50 | 3.30 | 3.60 |
| FNR6045S5R1MT | 5.1±20% | 0.034 | 0.026 | 23 | 4.40 | 4.80 | 3.30 | 3.60 |
| FNR6045S5R6MT | 5.6±20% | 0.038 | 0.029 | 23 | 4.15 | 4.60 | 3.15 | 3.40 |
| FNR6045S6R2MT | 6.2±20% | 0.040 | 0.031 | 26 | 4.43 | 4.80 | 3.00 | 3.30 |
| FNR6045S6R3MT | 6.3±20% | 0.040 | 0.031 | 26 | 4.43 | 4.70 | 3.00 | 3.30 |
| FNR6045S6R8MT | 6.8±20% | 0.040 | 0.031 | 20 | 3.90 | 4.30 | 3.00 | 3.30 |
| FNR6045S7R5MT | 7.5±20% | 0.044 | 0.034 | 18 | 3.50 | 3.80 | 2.90 | 3.20 |
| FNR6045S8R2MT | 8.2±20% | 0.056 | 0.043 | 21 | 3.90 | 4.30 | 2.60 | 2.80 |
| FNR6045S9R1MT | 9.1±20% | 0.056 | 0.043 | 17 | 3.35 | 3.70 | 2.60 | 2.80 |
| FNR6045S100MT | 10±20% | 0.062 | 0.048 | 15 | 3.20 | 3.50 | 2.45 | 2.70 |
| FNR6045S120MT | 12±20% | 0.075 | 0.058 | 13 | 2.80 | 3.00 | 2.20 | 2.40 |
| FNR6045S150MT | 15±20% | 0.088 | 0.068 | 12 | 2.50 | 2.70 | 2.05 | 2.20 |
| FNR6045S180MT | 18±20% | 0.105 | 0.081 | 10 | 2.20 | 2.40 | 1.85 | 2.00 |
| FNR6045S220MT | 22±20% | 0.116 | 0.089 | 10 | 2.05 | 2.20 | 1.80 | 2.00 |
| FNR6045S270MT | 27±20% | 0.133 | 0.102 | 9.2 | 1.90 | 2.10 | 1.65 | 1.80 |
| FNR6045S300MT | 30±20% | 0.172 | 0.132 | 7.8 | 1.70 | 1.80 | 1.50 | 1.60 |
| FNR6045S330MT | 33±20% | 0.178 | 0.137 | 7.8 | 1.65 | 1.80 | 1.45 | 1.60 |
| FNR6045S360MT | 36±20% | 0.225 | 0.173 | 7.8 | 1.62 | 1.80 | 1.40 | 1.50 |
| FNR6045S390MT | 39±20% | 0.234 | 0.180 | 7.8 | 1.50 | 1.60 | 1.25 | 1.40 |
| FNR6045S430MT | 43±20% | 0.260 | 0.200 | 7.7 | 1.63 | 1.80 | 1.20 | 1.30 |
| FNR6045S470MT | 47±20% | 0.260 | 0.200 | 6.4 | 1.40 | 1.50 | 1.20 | 1.30 |
| FNR6045S510MT | 51±20% | 0.269 | 0.207 | 6.4 | 1.35 | 1.50 | 1.15 | 1.20 |
| FNR6045S560MT | 56±20% | 0.287 | 0.221 | 6.4 | 1.30 | 1.40 | 1.10 | 1.20 |
| FNR6045S620MT | 62±20% | 0.306 | 0.235 | 6.4 | 1.25 | 1.40 | 1.10 | 1.20 |
| FNR6045S680MT | 68±20% | 0.376 | 0.289 | 6.4 | 1.20 | 1.30 | 1.00 | 1.10 |
| FNR6045S750MT | 75±20% | 0.397 | 0.305 | 5 | 1.15 | 1.20 | 0.95 | 1.00 |
| FNR6045S820MT | 82±20% | 0.443 | 0.341 | 4.9 | 1.05 | 1.10 | 0.90 | 0.99 |
| FNR6045S910MT | 91±20% | 0.467 | 0.359 | 4.9 | 1.00 | 1.10 | 0.85 | 0.94 |
| FNR6045S101MT | 100±20% | 0.563 | 0.433 | 4.2 | 0.95 | 1.00 | 0.80 | 0.88 |
| FNR6045S121MT | 120±20% | 0.629 | 0.484 | 4.2 | 0.85 | 0.94 | 0.77 | 0.85 |
| FNR6045S151MT | 150±20% | 0.754 | 0.580 | 4.2 | 0.80 | 0.88 | 0.70 | 0.77 |
| FNR6045S221MT | 220±20% | 1.084 | 0.834 | 3.5 | 0.70 | 0.77 | 0.59 | 0.65 |

Specifications subject to change without notice. Please check our website for latest informations.

SPECIFICATIONS

FNR6045S Series

| Part Number | Inductance | DC Resistance | | Self-resonant Frequency | Saturation Current*3 | | Heat Rating Current*4 | |
|---------------|-------------|---------------|-------|-------------------------|----------------------|------|-----------------------|------|
| | @100kHz, 1V | Max. | Typ. | Min. | Max. | Typ. | Max. | Typ. |
| Units | μH | Ω | | MHz | A | | A | |
| Symbol | L | DCR | | S.R.F | Isat | | Irms | |
| FNR6045S331MT | 330±20% | 1.651 | 1.270 | 2.8 | 0.57 | 0.63 | 0.57 | 0.63 |
| FNR6045S471MT | 470±20% | 2.340 | 1.800 | 2.0 | 0.50 | 0.56 | 0.42 | 0.48 |
| FNR6045S681MT | 680±20% | 3.250 | 2.500 | 1.7 | 0.42 | 0.46 | 0.33 | 0.38 |
| FNR6045S102MT | 1000±20% | 5.850 | 4.500 | 0.5 | 0.30 | 0.35 | 0.30 | 0.35 |
| FNR6045S152MT | 1500±20% | 8.450 | 6.500 | 0.8 | 0.24 | 0.27 | 0.21 | 0.24 |
| FNR6045S222KT | 2200±10% | 12.48 | 10.40 | 0.9 | 0.20 | 0.23 | 0.17 | 0.20 |
| FNR6045S332KT | 3300±10% | 15.96 | 13.30 | 0.7 | 0.17 | 0.20 | 0.15 | 0.17 |
| FNR6045S472KT | 4700±10% | 23.70 | 19.75 | 0.6 | 0.15 | 0.17 | 0.12 | 0.14 |
| FNR6045S682KT | 6800±10% | 40.20 | 33.50 | 0.5 | 0.12 | 0.14 | 0.09 | 0.11 |
| FNR6045S103KT | 10000±10% | 46.68 | 38.90 | 0.4 | 0.10 | 0.12 | 0.08 | 0.10 |
| FNR6045S123KT | 12000±10% | 74.40 | 62.00 | 0.4 | 0.09 | 0.11 | 0.07 | 0.08 |
| FNR6045S153KT | 15000±10% | 84.00 | 70.00 | 0.4 | 0.09 | 0.10 | 0.06 | 0.07 |

FNR8040S Series

| Part Number | Inductance | DC Resistance | | Self-resonant Frequency | Saturation Current*3 | | Heat Rating Current*4 | |
|---------------|-------------|---------------|-------|-------------------------|----------------------|-------|-----------------------|------|
| | @100kHz, 1V | Max. | Typ. | Min. | Max. | Typ. | Max. | Typ. |
| Units | μH | Ω | | MHz | A | | A | |
| Symbol | L | DCR | | S.R.F | Isat | | Irms | |
| FNR8040SR82NT | 0.82±30% | 0.010 | 0.008 | 94 | 13.80 | 16.00 | 6.30 | 6.90 |
| FNR8040S1R0NT | 1.0±30% | 0.010 | 0.008 | 89 | 9.85 | 14.00 | 6.30 | 6.90 |
| FNR8040S1R2NT | 1.2±30% | 0.013 | 0.010 | 59 | 10.00 | 14.00 | 5.65 | 6.20 |
| FNR8040S1R5NT | 1.5±30% | 0.013 | 0.010 | 67 | 8.15 | 11.00 | 5.65 | 6.20 |
| FNR8040S2R0NT | 2.0±30% | 0.016 | 0.012 | 43 | 9.25 | 10.00 | 5.15 | 5.60 |
| FNR8040S2R2NT | 2.2±30% | 0.016 | 0.012 | 41 | 7.10 | 8.00 | 5.15 | 5.60 |
| FNR8040S3R0NT | 3.0±30% | 0.018 | 0.014 | 32 | 6.10 | 7.00 | 4.70 | 5.20 |
| FNR8040S3R3NT | 3.3±30% | 0.022 | 0.017 | 27 | 6.50 | 7.00 | 4.40 | 4.80 |
| FNR8040S3R6NT | 3.6±30% | 0.022 | 0.017 | 30 | 7.52 | 8.50 | 4.35 | 4.80 |
| FNR8040S3R9NT | 3.9±30% | 0.022 | 0.017 | 26 | 5.75 | 6.50 | 4.35 | 4.80 |
| FNR8040S4R7NT | 4.7±30% | 0.025 | 0.019 | 24 | 5.90 | 6.50 | 4.10 | 4.50 |
| FNR8040S5R1NT | 5.1±30% | 0.025 | 0.019 | 22 | 4.70 | 5.40 | 4.05 | 4.40 |
| FNR8040S5R6NT | 5.6±30% | 0.027 | 0.021 | 24 | 6.00 | 6.90 | 3.85 | 4.20 |
| FNR8040S6R2NT | 6.2±30% | 0.027 | 0.021 | 20 | 4.45 | 5.10 | 3.85 | 4.20 |
| FNR8040S6R8MT | 6.8±20% | 0.031 | 0.024 | 20 | 4.55 | 5.20 | 3.60 | 4.00 |
| FNR8040S8R2MT | 8.2±20% | 0.034 | 0.026 | 17 | 4.20 | 4.80 | 3.45 | 3.80 |
| FNR8040S100MT | 10±20% | 0.038 | 0.029 | 15 | 3.60 | 4.10 | 3.30 | 3.60 |
| FNR8040S120MT | 12±20% | 0.053 | 0.041 | 13 | 3.50 | 4.00 | 2.80 | 3.00 |
| FNR8040S150MT | 15±20% | 0.061 | 0.047 | 12 | 2.95 | 3.40 | 2.60 | 2.80 |
| FNR8040S180MT | 18±20% | 0.069 | 0.053 | 11 | 2.70 | 3.10 | 2.40 | 2.60 |
| FNR8040S220MT | 22±20% | 0.090 | 0.069 | 9.5 | 2.40 | 2.70 | 2.10 | 2.30 |
| FNR8040S270MT | 27±20% | 0.101 | 0.078 | 9.2 | 2.15 | 2.50 | 2.00 | 2.20 |
| FNR8040S330MT | 33±20% | 0.126 | 0.097 | 7.8 | 2.05 | 2.40 | 1.80 | 2.00 |
| FNR8040S360MT | 36±20% | 0.133 | 0.102 | 7.8 | 2.00 | 2.30 | 1.75 | 1.90 |
| FNR8040S390MT | 39±20% | 0.139 | 0.107 | 7.8 | 1.95 | 2.20 | 1.70 | 1.90 |
| FNR8040S430MT | 43±20% | 0.147 | 0.113 | 7.8 | 1.90 | 2.20 | 1.65 | 1.80 |
| FNR8040S470MT | 47±20% | 0.177 | 0.136 | 6.4 | 1.75 | 2.00 | 1.55 | 1.70 |
| FNR8040S510MT | 51±20% | 0.185 | 0.142 | 6.4 | 1.70 | 1.90 | 1.50 | 1.60 |

SPECIFICATIONS

FNR8040S Series

| Part Number | Inductance | DC Resistance | | Self-resonant Frequency | Saturation Current*3 | | Heat Rating Current*4 | |
|---------------|------------|---------------|-------|-------------------------|----------------------|------|-----------------------|------|
| | @100kHz,1V | Max. | Typ. | Min. | Max. | Typ. | Max. | Typ. |
| Units | μH | Ω | | MHz | A | | A | |
| Symbol | L | DCR | | S.R.F | Isat | | Irms | |
| FNR8040S620MT | 62±20% | 0.237 | 0.182 | 6.4 | 1.50 | 1.60 | 1.30 | 1.40 |
| FNR8040S680MT | 68±20% | 0.255 | 0.196 | 4.9 | 1.45 | 1.60 | 1.25 | 1.40 |
| FNR8040S750MT | 75±20% | 0.274 | 0.211 | 4.9 | 1.35 | 1.50 | 1.20 | 1.30 |
| FNR8040S820MT | 82±20% | 0.293 | 0.225 | 5.9 | 1.30 | 1.40 | 1.15 | 1.20 |
| FNR8040S910MT | 91±20% | 0.354 | 0.272 | 4.9 | 1.20 | 1.30 | 1.05 | 1.10 |
| FNR8040S101MT | 100±20% | 0.377 | 0.290 | 4.2 | 1.15 | 1.30 | 1.00 | 1.10 |
| FNR8040S121MT | 120±20% | 0.434 | 0.334 | 3.5 | 1.05 | 1.10 | 0.95 | 1.00 |
| FNR8040S151MT | 150±20% | 0.533 | 0.410 | 3.5 | 1.10 | 1.20 | 0.85 | 0.94 |
| FNR8040S181MT | 180±20% | 0.676 | 0.520 | 3.5 | 0.95 | 1.15 | 0.83 | 0.92 |
| FNR8040S221MT | 220±20% | 0.779 | 0.599 | 3.5 | 0.85 | 0.94 | 0.80 | 0.88 |
| FNR8040S331MT | 330±20% | 1.156 | 0.889 | 2.8 | 0.68 | 0.75 | 0.64 | 0.70 |
| FNR8040S471MT | 470±20% | 1.625 | 1.260 | 2.1 | 0.60 | 0.70 | 0.50 | 0.60 |
| FNR8040S681MT | 680±20% | 2.652 | 2.040 | 1.7 | 0.50 | 0.60 | 0.45 | 0.50 |
| FNR8040S102MT | 1000±20% | 3.640 | 2.800 | 1.4 | 0.40 | 0.50 | 0.35 | 0.40 |
| FNR8040S152MT | 1500±20% | 6.500 | 5.000 | 1.0 | 0.32 | 0.38 | 0.26 | 0.27 |

FNR8050S Series

| Part Number | Inductance | DC Resistance | | Self-resonant Frequency | Saturation Current*3 | | Heat Rating Current*4 | |
|----------------|------------|---------------|-------|-------------------------|----------------------|------|-----------------------|------|
| | @100kHz,1V | Max. | Typ. | Min. | Max. | Typ. | Max. | Typ. |
| Units | μH | Ω | | MHz | A | | A | |
| Symbol | L | DCR | | S.R.F | Isat | | Irms | |
| FNR8050S102MT | 1000±20% | 2.52 | 2.10 | 1.5 | 0.32 | 0.35 | 0.33 | 0.35 |
| FNR8050S103MT* | 10000±20% | 22.80 | 19.00 | 0.35 | 0.09 | 0.10 | 0.11 | 0.13 |

*The test frequency of FNR8050S103MT is 1KHz.

FNR8065S Series

| Part Number | Inductance | DC Resistance | | Self-resonant Frequency | Saturation Current*3 | | Heat Rating Current*4 | |
|---------------|------------|---------------|-------|-------------------------|----------------------|-------|-----------------------|------|
| | @100kHz,1V | Max. | Typ. | Min. | Max. | Typ. | Max. | Typ. |
| Units | μH | Ω | | MHz | A | | A | |
| Symbol | L | DCR | | S.R.F | Isat | | Irms | |
| FNR8065S1R0MT | 1.0±20% | 0.011 | 0.008 | 96 | 20.0 | 22.0 | 7.00 | 8.00 |
| FNR8065S3R3MT | 3.3±20% | 0.018 | 0.015 | 27 | 9.50 | 10.00 | 5.10 | 5.90 |
| FNR8065S4R7MT | 4.7±20% | 0.022 | 0.018 | 18 | 8.50 | 9.50 | 4.70 | 5.40 |
| FNR8065S5R6MT | 5.6±20% | 0.026 | 0.022 | 17 | 8.00 | 9.00 | 4.50 | 5.20 |
| FNR8065S6R8MT | 6.8±20% | 0.026 | 0.022 | 16 | 7.50 | 8.00 | 4.50 | 5.20 |
| FNR8065S8R2MT | 8.2±20% | 0.031 | 0.026 | 15 | 7.00 | 7.70 | 4.20 | 4.80 |
| FNR8065S100MT | 10±20% | 0.044 | 0.037 | 13 | 8.00 | 8.90 | 3.20 | 3.70 |
| FNR8065S220MT | 22±20% | 0.065 | 0.054 | 8 | 4.30 | 4.80 | 2.85 | 3.30 |
| FNR8065S431MT | 430±20% | 1.200 | 1.000 | 1.5 | 0.95 | 1.05 | 0.61 | 0.69 |
| FNR8065S102MT | 1000±20% | 2.820 | 2.350 | 1.1 | 0.65 | 0.73 | 0.40 | 0.45 |
| FNR8065S152MT | 1500±20% | 4.380 | 3.650 | 0.7 | 0.54 | 0.60 | 0.32 | 0.37 |
| FNR8065S222MT | 2200±20% | 6.000 | 5.000 | 0.7 | 0.45 | 0.51 | 0.27 | 0.31 |
| FNR8065S332MT | 3300±20% | 8.760 | 7.300 | 0.7 | 0.36 | 0.40 | 0.23 | 0.26 |

SPECIFICATIONS

FNR8065S Series

| Part Number | Inductance | DC Resistance | | Self-resonant Frequency | Saturation Current*3 | | Heat Rating Current*4 | |
|---------------|-----------------|---------------|-------|-------------------------|----------------------|------|-----------------------|------|
| | @100kHz, 1V | Max. | Typ. | Min. | Max. | Typ. | Max. | Typ. |
| Units | μH | Ω | | MHz | A | | A | |
| Symbol | L | DCR | | S.R.F | Isat | | Irms | |
| FNR8065S472MT | 4700 \pm 20% | 14.58 | 12.15 | 0.4 | 0.29 | 0.33 | 0.18 | 0.20 |
| FNR8065S682MT | 6800 \pm 20% | 22.44 | 18.70 | 0.4 | 0.26 | 0.29 | 0.14 | 0.16 |
| FNR8065S103MT | 10000 \pm 20% | 27.36 | 22.80 | 0.4 | 0.20 | 0.23 | 0.13 | 0.15 |

※1: All test data is referenced to 20°C ambient;

※2: Rated current: Isat or Irms, whichever is smaller;

※*3: Isat: DC current at which the inductance drops approximate 30% from its value without current;

※*4: Irms: DC current that causes the temperature rise ($\Delta T = 40^\circ\text{C}$) from 20°C ambient.

TYPICAL ELECTRICAL CHARACTERISTICS

FNR252010S Series

Temperature vs. DC Current Characteristics



Inductance vs. DC Current Characteristics



FNR252012S Series

Temperature vs. DC Current Characteristics



Inductance vs. DC Current Characteristics



X-ON Electronics

Largest Supplier of Electrical and Electronic Components

Click to view similar products for [Fixed Inductors](#) category:

Click to view products by [Changjiang Microelectronics](#) manufacturer:

Other Similar products are found below :

[CR32NP-100KC](#) [CR32NP-151KC](#) [CR32NP-180KC](#) [CR32NP-181KC](#) [CR32NP-1R5MC](#) [CR32NP-390KC](#) [CR32NP-3R9MC](#) [CR32NP-680KC](#) [CR32NP-820KC](#) [CR32NP-8R2MC](#) [CR43NP-390KC](#) [CR43NP-560KC](#) [CR43NP-680KC](#) [CR54NP-181KC](#) [CR54NP-470LC](#) [CR54NP-820KC](#) [CR54NP-8R5MC](#) [70F224AI](#) [MGDQ4-00004-P](#) [MHL1ECTTP18NJ](#) [MHQ1005P10NJ](#) [MHQ1005P1N0S](#) [MHQ1005P2N4S](#) [MHQ1005P3N6S](#) [MHQ1005P5N1S](#) [MHQ1005P8N2J](#) [PE-51506NL](#) [PE-53601NL](#) [PE-53602NL](#) [PE-53630NL](#) [PE-53824SNLT](#) [PE-92100NL](#) [PG0434.801NLT](#) [PG0936.113NLT](#) [9220-20](#) [9310-16](#) [PM06-2N7](#) [PM06-39NJ](#) [A01TK](#) [1206CS-471XJ](#) [HC2LP-R47-R](#) [HC2-R47-R](#) [HC3-2R2-R](#) [HCF1305-3R3-R](#) [1206CS-151XG](#) [RCH664NP-140L](#) [RCH664NP-4R7M](#) [RCH8011NP-221L](#) [RCP1317NP-332L](#) [RCP1317NP-391L](#)