

Specification for Approval

| | |
|---------------|---------------------------------------|
| Customer | |
| Product Name | Wire Wound Molded SMD Power Inductors |
| Customer P/N: | |
| Cjiang P/N: | FXL series |

[New Released, Revised]

SPEC No.:

| | | |
|----------------------------|--|--|
| REMARK: | | |
| | | |
| Customer Approval Feedback | | |
| | | |

●深圳市长江微电科技有限公司

SZ CJIANG TECHNOLOGY CO.,LTD

ADD: 11F, International Science and Technology Building, Fuhong Road, Futian District, Shenzhen

Factory ADD:No. shanyang RD CJIANG Industrial Park HUAi'AN Section HUAi'AN City Jiangsu Province

TEL: 0755-82529562 FAX:0755-83977004

<http://www.CJING.COM.CN>

E-mail: BOND@Cjiang.com.cn; ann@cjiang.com.cn

深圳市长江微电科技有限公司
SZ CJIANG TECHNOLOGY CO.,LTD

Version change history

| Rev | Date | Description | APPROVED | CHECKED | DRAWN |
|------------|-------------------|-------------------------------|-----------------|----------------|----------------|
| 1.0 | 2023/11/17 | Document formulation | 徐舒霞 | 马月 | 朱小娟 |
| 2.0 | 2024/1/25 | Increase Isat/Irms Max | BOND | MIKO | MIKO |
| 3.0 | 2024/3/25 | Merge all sizes | BOND | XUETING | XUETING |

Caution :

All products listed in this specification are developed, designed and intended for use in general electronics equipment. The products are not designed or Warranted to meet the requirements of the applications listed below, whose performance and/or quality require especially high reliability, or whose failure, malfunction or trouble might directly cause damage to society, person, or property. Please understand that we are not responsible for any damage or liability caused by use of the products in any of the applications below. Please contact us for more details if you intend to use our products in the following applications.

1. Aircraft equipment.
2. Aerospace equipment.
3. Undersea equipment.
4. nuclear control equipment.
5. military equipment.
6. Power plant equipment.
7. Medical equipment.
8. Transportation equipment (automobiles, trains, ships,etc.)
9. Traffic signal equipment.
10. Disaster prevention / crime prevention equipment.
11. Data-processing equipment.
12. Applications of similar complexity or with reliability requirements comparable to the applications listed in the above.



introduction

- Halogen Free ,ROHS compliance
- High rated current
- 125°C maximum total temperature operation
- 4.75 x 4.45 x 1.2mm maximum surface mount package
- Low core loss
- Ultra low buzz noise due to molding construction



Applications

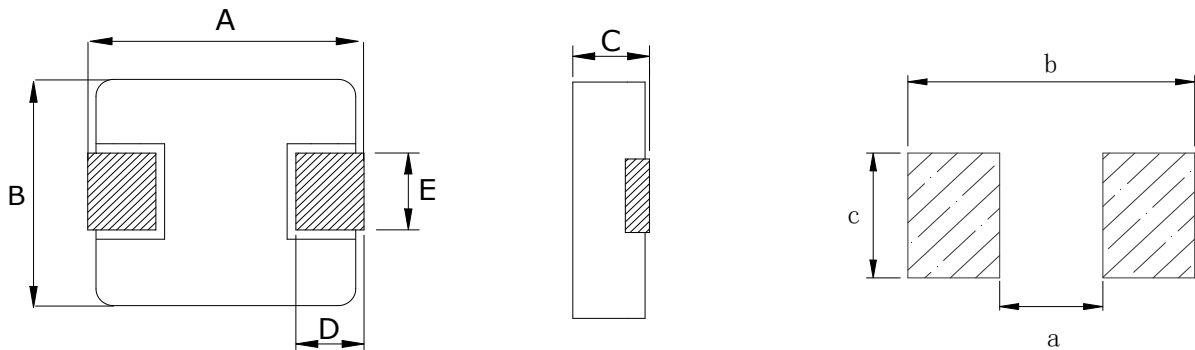
- Laptops and PCs
- Switch and servers
- Base stations
- DC/DC converters
- Battery powered devices
- SSD modules

Product Identification

FXL 0412 --1R5 - M
① ② ③ ④

- ① FXL ----- Series name
- ② 0412 ----- Dimension
- ③ 1R5 ----- Inductance Value (1R5 = 1.5 μ H)
- ④ M ----- Inductance Tolerance (M= \pm 20%)

Dimensions (unit:mm)



Recommend Land Pattern

深圳市长江微电科技有限公司
SZ CJIANG TECHNOLOGY CO.,LTD

| series | A | B | C | D | E | a typ | b typ | c typ |
|---------|------------|----------|----------|---------|-------------|-------|-------|-------|
| FXL0412 | 4.4±0.35 | 4.2±0.25 | 1.0±0.2 | 0.8±0.3 | 2.0±0.3 | 2.2 | 5.2 | 2.5 |
| FXL0420 | 4.4±0.35 | 4.2±0.25 | 1.8±0.2 | 0.8±0.3 | 2.0±0.3 | 2.2 | 5.2 | 2.5 |
| FXL0518 | 5.4±0.35 | 5.2±0.2 | 1.6±0.2 | 1.2±0.2 | 2.2±0.3 | 2.2 | 6 | 2.5 |
| FXL0530 | 5.4±0.35 | 5.2±0.2 | 2.8±0.2 | 1.2±0.2 | 2.2±0.3 | 2.2 | 6 | 2.5 |
| FXL0615 | 7.0±0.3 | 6.6±0.2 | 1.3±0.2 | 1.6±0.3 | 3.0±0.3 | 3.7 | 8.4 | 3.5 |
| FXL0618 | 7.0±0.3 | 6.6±0.2 | 1.6±0.2 | 1.6±0.3 | 3.0±0.3 | 3.7 | 8.4 | 3.5 |
| FXL0624 | 7.0±0.3 | 6.6±0.2 | 2.2±0.2 | 1.6±0.3 | 3.0±0.3 | 3.7 | 8.4 | 3.5 |
| FXL0630 | 7.0±0.3 | 6.6±0.2 | 2.8±0.2 | 1.6±0.3 | 3.0±0.3 | 3.7 | 8.4 | 3.5 |
| FXL0640 | 7.0±0.3 | 6.6±0.2 | 3.8±0.2 | 1.6±0.3 | 3.0±0.3 | 3.7 | 8.4 | 3.5 |
| FXL0650 | 7.0±0.3 | 6.6±0.2 | 4.8±0.2 | 1.6±0.3 | 3.0±0.3 | 3.7 | 8.4 | 3.5 |
| FXL0840 | 8.8±0.4 | 8.2±0.3 | 3.8±0.2 | 1.4±0.3 | 5.0±0.3 | 4 | 9.5 | 5.5 |
| FXL1030 | 11.5MAX | 10.0±0.3 | 2.8±0.2 | 2.0±0.5 | 3.0±0.5 | 5.4 | 13.6 | 4.1 |
| FXL1040 | 11.5MAX | 10.0±0.3 | 3.8±0.2 | 2.0±0.5 | 3.0±0.5 | 5.4 | 13.6 | 4.1 |
| FXL1050 | 11.5MAX | 10.0±0.3 | 4.8±0.2 | 2.0±0.5 | 3.0±0.5 | 5.4 | 13.6 | 4.1 |
| FXL1340 | 13.45±0.35 | 12.8±0.5 | 4.0MAX | 2.0±0.5 | See remarks | 8 | 14.5 | 5.5 |
| FXL1350 | 13.45±0.35 | 12.6±0.3 | 4.8±0.2 | 2.0±0.5 | See remarks | 8 | 14.5 | 5.5 |
| FXL1360 | 13.45±0.35 | 12.6±0.3 | 5.8±0.2 | 2.0±0.5 | See remarks | 8 | 14.5 | 5.5 |
| FXL1365 | 13.45±0.35 | 12.6±0.3 | 6.5MAX | 2.0±0.5 | 5.0±0.3 | 8 | 14.5 | 5.5 |
| FXL1770 | 17.15±0.35 | 17.15MAX | 7.0MAX | 2.5±0.5 | 12.0±0.3 | 11.2 | 18.2 | 12.8 |
| FXL2213 | 23.5±0.5 | 22.0±0.3 | 12.6±0.4 | 5.0±0.4 | 19.0±0.3 | 12.5 | 24 | 19.6 |

Remarks:

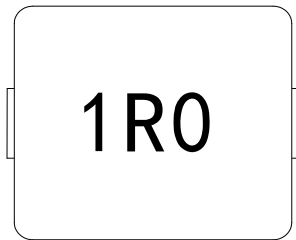
| series | E | Dimensions |
|---------|----------|---|
| FXL1340 | 3.85±0.5 | R22/R47 |
| | 5.0±0.3 | R68/R82/1R0/1R5/2R2/3R3/4R7/6R8/100/150/220 |
| FXL1350 | 3.85±0.5 | R22/R36/R50/R68/R82/1R0/1R5/2R2 |
| | 5.0±0.3 | 3R3/4R7/6R8/8R2/100/150/220/330/470 |
| FXL1360 | 3.85±0.5 | 1R0/2R2 |
| | 5.0±0.3 | 4R7/5R6/6R8/8R2/100/150/180/220/270/330/470/680/101/121/151 |

Marking

The inductor is marked with a 3-digit code

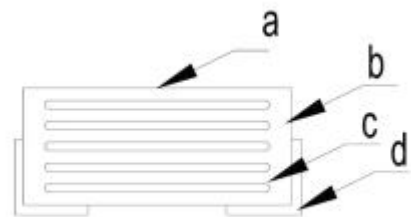
| Nominal Inductance | |
|--------------------|-------------------|
| Example | Nominal Value |
| 1R0 | 1.0 μH |
| 100 | 10 μH |
| 101 | 100 μH |

Note : Using Ink for marking



Structure and Components

| Symbol | Components | Material |
|--------|------------|--------------------------|
| a | MARKING | Ink (black) |
| b | CORE | Alloy Sponge Powder |
| c | WIRE | Polyurethane copper wire |
| d | Terminal | Copper plated with Sn |



深圳市长江微电科技有限公司
SZ CJIANG TECHNOLOGY CO.,LTD

Appendix A: Electrical Characteristics

FXL0412-XXX series

| Part No. | Inductance | DC Resistance | Saturation Current | Saturation Current | Heating Rating Current | Heating Rating Current |
|---------------|--------------------|---------------|--------------------|--------------------|------------------------|------------------------|
| | L0 (μH) | DCR (mΩ) | Isat (A) | Isat (A) | Irms (A) | Irms (A) |
| | ±20 %, 100 kHz, 1V | MAX. | MAX | TYP. | MAX | TYP. |
| FXL0412-R15-M | 0.15 | 9 | 12 | 15 | 6.8 | 7.5 |
| FXL0412-R22-M | 0.22 | 11 | 8.8 | 11 | 6.5 | 7 |
| FXL0412-R33-M | 0.33 | 19 | 6.7 | 8.4 | 5.7 | 6.5 |
| FXL0412-R47-M | 0.47 | 21 | 5.4 | 6.8 | 5.2 | 6 |
| FXL0412-R68-M | 0.68 | 36 | 4.8 | 6 | 4.2 | 4.7 |
| FXL0412-1R0-M | 1.0 | 47 | 4.4 | 5.5 | 3.8 | 4.5 |
| FXL0412-1R5-M | 1.5 | 75 | 3.2 | 4 | 2.7 | 3.25 |
| FXL0412-2R2-M | 2.2 | 83.5 | 2.4 | 3.5 | 2.2 | 2.75 |
| FXL0412-3R3-M | 3.3 | 165 | 2.38 | 3 | 1.77 | 2 |
| FXL0412-4R7-M | 4.7 | 195 | 1.80 | 2.8 | 1.45 | 1.8 |

FXL0420-XXX series

| Part No. | Inductance | DC Resistance | Saturation Current | Saturation Current | Heating Rating Current | Heating Rating Current |
|---------------|--------------------|---------------|--------------------|--------------------|------------------------|------------------------|
| | L0 (μH) | DCR (mΩ) | Isat (A) | Isat (A) | Irms (A) | Irms (A) |
| | ±20 %, 100 kHz, 1V | MAX. | MAX | TYP. | MAX | TYP. |
| FXL0420-R10-M | 0.1 | 4 | 17.6 | 22 | 11.2 | 13 |
| FXL0420-R22-M | 0.22 | 6.6 | 10 | 12.5 | 8.2 | 9.5 |
| FXL0420-R33-M | 0.33 | 11 | 9.6 | 12 | 8.6 | 10 |
| FXL0420-R47-M | 0.47 | 14 | 7.6 | 9.5 | 6.65 | 7.5 |
| FXL0420-R56-M | 0.56 | 16 | 7.2 | 10 | 6.1 | 7 |
| FXL0420-R68-M | 0.68 | 18 | 6.4 | 9 | 6.15 | 7 |
| FXL0420-1R0-M | 1.0 | 27 | 5.6 | 7 | 5.4 | 6 |
| FXL0420-1R2-M | 1.2 | 27 | 5.2 | 7 | 5.4 | 6 |
| FXL0420-1R5-M | 1.5 | 46 | 4.4 | 6 | 4.3 | 5 |
| FXL0420-2R2-M | 2.2 | 58 | 4.0 | 5 | 3.8 | 4.5 |
| FXL0420-3R3-M | 3.3 | 87 | 2.8 | 4 | 2.8 | 3.3 |
| FXL0420-4R7-M | 4.7 | 105 | 2.4 | 3 | 2.2 | 2.8 |
| FXL0420-6R8-M | 6.8 | 175 | 2.0 | 2.5 | 1.9 | 2.4 |
| FXL0420-100-M | 10 | 282 | 1.6 | 2.2 | 1.3 | 1.6 |
| FXL0420-220-M | 22 | 363 | 1.12 | 1.4 | 0.9 | 1.2 |

深圳市长江微电科技有限公司
SZ CJIANG TECHNOLOGY CO.,LTD

FXL0518-XXX series

| Part No. | Inductance | DC Resistance | Saturation Current | Saturation Current | Heating Rating Current | Heating Rating Current |
|---------------|--------------------|---------------|--------------------|--------------------|------------------------|------------------------|
| | L0 (μH) | DCR (mΩ) | Isat (A) | Isat (A) | Irms (A) | Irms (A) |
| | ±20 %, 100 kHz, 1V | MAX. | MAX | TYP. | MAX | TYP. |
| FXL0518-R47-M | 0.47 | 9 | 9.6 | 15.5 | 9.5 | 10.5 |
| FXL0518-R56-M | 0.56 | 10 | 8.8 | 15 | 8.2 | 9.5 |
| FXL0518-R68-M | 0.68 | 13.8 | 9.3 | 11.2 | 7.7 | 8.9 |
| FXL0518-1R0-M | 1.0 | 17 | 7.2 | 9 | 7.2 | 8 |
| FXL0518-1R5-M | 1.5 | 26 | 6.4 | 9 | 6.6 | 7.5 |
| FXL0518-2R2-M | 2.2 | 35 | 4.8 | 6.5 | 4.2 | 5 |
| FXL0518-3R3-M | 3.3 | 58 | 3.84 | 5 | 3.8 | 4.5 |
| FXL0518-4R7-M | 4.7 | 85 | 3.2 | 4 | 3.0 | 3.5 |
| FXL0518-6R8-M | 6.8 | 120 | 2.72 | 3.4 | 2.4 | 2.8 |
| FXL0518-100-M | 10 | 155 | 2 | 3 | 2.2 | 2.5 |

FXL0530-XXX series

| Part No. | Inductance | DC Resistance | Saturation Current | Saturation Current | Heating Rating Current | Heating Rating Current |
|---------------|--------------------|---------------|--------------------|--------------------|------------------------|------------------------|
| | L0 (μH) | DCR (mΩ) | Isat (A) | Isat (A) | Irms (A) | Irms (A) |
| | ±20 %, 100 kHz, 1V | MAX. | MAX | TYP. | MAX | TYP. |
| FXL0530-R10-M | 0.10 | 3 | 24 | 33 | 23 | 25 |
| FXL0530-R20-M | 0.20 | 3.9 | 11.6 | 14.5 | 13 | 14 |
| FXL0530-R33-M | 0.33 | 5.5 | 14.4 | 18 | 13.1 | 14 |
| FXL0530-R47-M | 0.47 | 8.5 | 9.6 | 12 | 10 | 11 |
| FXL0530-R68-M | 0.68 | 12 | 9.2 | 11.5 | 8.2 | 9.0 |
| FXL0530-1R0-M | 1.0 | 14 | 8 | 11 | 7.8 | 8.5 |
| FXL0530-1R2-M | 1.2 | 16 | 7.6 | 11 | 7.85 | 8.5 |
| FXL0530-1R5-M | 1.5 | 25 | 7.2 | 8.5 | 7.6 | 8.2 |
| FXL0530-2R2-M | 2.2 | 29 | 5.6 | 7.5 | 6.4 | 7.0 |
| FXL0530-3R3-M | 3.3 | 38 | 4.8 | 6.0 | 5 | 5.5 |
| FXL0530-4R7-M | 4.7 | 60 | 3.68 | 5 | 4 | 4.5 |
| FXL0530-6R8-M | 6.8 | 90 | 2.88 | 4 | 2.9 | 3.5 |
| FXL0530-100-M | 10 | 125 | 2.8 | 3.5 | 2.8 | 3.2 |
| FXL0530-150-M | 15 | 180 | 2.0 | 2.2 | 1.6 | 1.7 |
| FXL0530-220-M | 22 | 248 | 2.0 | 2.3 | 1.5 | 1.7 |

深圳市长江微电科技有限公司
SZ CJIANG TECHNOLOGY CO.,LTD

FXL0615-XXX series

| Part No. | Inductance | DC Resistance | Saturation Current | Saturation Current | Heating Rating Current | Heating Rating Current |
|---------------|--------------------|---------------|--------------------|--------------------|------------------------|------------------------|
| | L0 (μH) | DCR (mΩ) | Isat (A) | Isat (A) | Irms (A) | Irms (A) |
| | ±20 %, 100 kHz, 1V | MAX. | MAX | TYP. | MAX | TYP. |
| FXL0615-R47-M | 0.47 | 8.5 | 14.16 | 16 | 8.85 | 10 |
| FXL0615-R56-M | 0.56 | 11 | 12.38 | 14 | 7.96 | 9 |
| FXL0615-R68-M | 0.68 | 12 | 10.62 | 12 | 7.52 | 8.5 |
| FXL0615-R82-M | 0.82 | 17 | 8.85 | 10 | 7.08 | 8 |
| FXL0615-1R0-M | 1.0 | 21 | 7.96 | 9 | 5.3 | 6 |
| FXL0615-1R5-M | 1.5 | 45 | 6.2 | 7 | 3.4 | 4 |
| FXL0615-2R2-M | 2.2 | 54 | 6.19 | 7 | 3.36 | 3.8 |
| FXL0615-3R3-M | 3.3 | 63 | 4.87 | 5.5 | 3.1 | 3.5 |
| FXL0615-4R7-M | 4.7 | 85 | 4.42 | 5 | 2.83 | 3.2 |
| FXL0615-6R8-M | 6.8 | 135 | 3.54 | 4 | 2.21 | 2.5 |
| FXL0615-100-M | 10 | 175 | 2.65 | 3 | 1.77 | 2 |

FXL0618-XXX series

| Part No. | Inductance | DC Resistance | Saturation Current | Saturation Current | Heating Rating Current | Heating Rating Current |
|---------------|--------------------|---------------|--------------------|--------------------|------------------------|------------------------|
| | L0 (μH) | DCR (mΩ) | Isat (A) | Isat (A) | Irms (A) | Irms (A) |
| | ±20 %, 100 kHz, 1V | MAX. | MAX | TYP. | MAX | TYP. |
| FXL0618-R10-M | 0.1 | 2.3 | 30.4 | 38 | 23 | 25 |
| FXL0618-R22-M | 0.22 | 3.5 | 19.2 | 24 | 20 | 22 |
| FXL0618-R47-M | 0.47 | 8.4 | 16.0 | 18 | 10 | 11.5 |
| FXL0618-R68-M | 0.68 | 12 | 13.2 | 17 | 8.4 | 9.5 |
| FXL0618-1R0-M | 1.0 | 16 | 9.6 | 14 | 7.6 | 8.5 |
| FXL0618-1R5-M | 1.5 | 26 | 7.36 | 12 | 7.1 | 8.0 |
| FXL0618-2R2-M | 2.2 | 35 | 6.4 | 8 | 6.2 | 7 |
| FXL0618-3R3-M | 3.3 | 50 | 4.8 | 6.5 | 3.8 | 4.5 |
| FXL0618-4R7-M | 4.7 | 62 | 4.0 | 5 | 3.5 | 4 |
| FXL0618-6R8-M | 6.8 | 110 | 3.6 | 4.5 | 2.4 | 3.0 |
| FXL0618-100-M | 10 | 155 | 3.2 | 4 | 1.95 | 2.3 |
| FXL0618-220-M | 22 | 350 | 1.84 | 2.3 | 1.4 | 1.8 |

深圳市长江微电科技有限公司
SZ CJIANG TECHNOLOGY CO.,LTD

FXL0624-XXX series

| Part No. | Inductance | DC Resistance | Saturation Current | Saturation Current | Heating Rating Current | Heating Rating Current |
|---------------|--------------------|---------------|--------------------|--------------------|------------------------|------------------------|
| | L0 (μH) | DCR (mΩ) | Isat (A) | Isat (A) | Irms (A) | Irms (A) |
| | ±20 %, 100 kHz, 1V | MAX. | MAX | TYP. | MAX | TYP. |
| FXL0624-R22-M | 0.22 | 3 | 24 | 34 | 19 | 21 |
| FXL0624-R33-M | 0.33 | 4.1 | 19.6 | 24.5 | 16 | 18 |
| FXL0624-R47-M | 0.47 | 5.1 | 16 | 22 | 13.5 | 15 |
| FXL0624-R56-M | 0.56 | 6.5 | 13.6 | 17 | 11.5 | 13 |
| FXL0624-R68-M | 0.68 | 7 | 12.8 | 16 | 10.5 | 12 |
| FXL0624-1R0-M | 1.0 | 13.5 | 12.0 | 16 | 8 | 9 |
| FXL0624-1R5-M | 1.5 | 20 | 10.8 | 15 | 7 | 9 |
| FXL0624-2R2-M | 2.2 | 28 | 8 | 10 | 6.2 | 7 |
| FXL0624-3R3-M | 3.3 | 39 | 6.4 | 8 | 4.8 | 5.5 |
| FXL0624-4R7-M | 4.7 | 50 | 5.2 | 7.5 | 4.3 | 5 |
| FXL0624-6R8-M | 6.8 | 70 | 4.8 | 6 | 3.2 | 4 |
| FXL0624-100-M | 10 | 101 | 3.2 | 4 | 2.4 | 3.1 |
| FXL0624-150-M | 15 | 160 | 2.64 | 3.3 | 2.0 | 2.5 |
| FXL0624-220-M | 22 | 230 | 2.0 | 2.5 | 1.6 | 2 |

FXL0630-XXX series

| Part No. | Inductance | DC Resistance | Saturation Current | | Heating Rating Current | |
|---------------|--------------------|---------------|--------------------|-----|------------------------|------|
| | L0 (μH) | DCR (mΩ) | Isat (A) | | Irms (A) | |
| | ±20 %, 100 kHz, 1V | MAX. | Max | Typ | Max | Typ |
| FXL0630-R10-M | 0.1 | 0.99 | 48 | 60 | 35 | 40 |
| FXL0630-R15-M | 0.15 | 2.4 | 35 | 41 | 25 | 30 |
| FXL0630-R22-M | 0.22 | 3 | 32 | 34 | 21 | 24 |
| FXL0630-R24-M | 0.24 | 3.1 | 22.4 | 28 | 18.4 | 23 |
| FXL0630-R33-M | 0.33 | 3.5 | 22 | 25 | 20 | 21 |
| FXL0630-R47-M | 0.47 | 4.1 | 18 | 20 | 16 | 18 |
| FXL0630-R56-M | 0.56 | 4.5 | 16 | 18 | 15 | 16.5 |
| FXL0630-R68-M | 0.68 | 5.3 | 15 | 17 | 14.5 | 16 |
| FXL0630-R82-M | 0.82 | 6.0 | 14 | 16 | 13 | 14 |
| FXL0630-1R0-M | 1.0 | 7.4 | 13.5 | 15 | 11.2 | 12 |

深圳市长江微电科技有限公司
SZ CJIANG TECHNOLOGY CO.,LTD

| | | | | | | |
|---------------|-----|------|------|-----|-----|-----|
| FXL0630-1R5-M | 1.5 | 12.1 | 12 | 14 | 9.5 | 12 |
| FXL0630-2R2-M | 2.2 | 15 | 10.5 | 12 | 8.5 | 9.5 |
| FXL0630-2R7-M | 2.7 | 20 | 9 | 10 | 8.2 | 8.8 |
| FXL0630-3R3-M | 3.3 | 22 | 8.7 | 9.5 | 8 | 8.5 |
| FXL0630-4R7-M | 4.7 | 33 | 7.5 | 9 | 5.5 | 6 |
| FXL0630-5R6-M | 5.6 | 42 | 5.5 | 6.5 | 5 | 5.5 |
| FXL0630-6R8-M | 6.8 | 48 | 5.2 | 6 | 4.5 | 5 |
| FXL0630-8R2-M | 8.2 | 60 | 5 | 5.5 | 4 | 5 |
| FXL0630-100-M | 10 | 68 | 4.9 | 5.5 | 3.8 | 4.5 |
| FXL0630-150-M | 15 | 115 | 3.5 | 4.0 | 2.6 | 3 |
| FXL0630-220-M | 22 | 200 | 2.5 | 3 | 2.2 | 2.5 |
| FXL0630-330-M | 33 | 310 | 2.1 | 2.5 | 1.8 | 2 |
| FXL0630-470-M | 47 | 385 | 1.8 | 2 | 1.3 | 1.5 |

FXL0640-XXX series

| Part No. | Inductance | DC Resistance | Saturation Current | Saturation Current | Heating Rating Current | Heating Rating Current |
|---------------|--------------------|---------------|--------------------|--------------------|------------------------|------------------------|
| | L0 (μH) | DCR (mΩ) | Isat (A) | Isat (A) | Irms (A) | Irms (A) |
| | ±20 %, 100 kHz, 1V | MAX. | MAX | TYP. | MAX | TYP. |
| FXL0640-R15-M | 0.15 | 0.66±7% | 45 | 50 | 36 | 40 |
| FXL0640-R22-M | 0.22 | 0.98±7% | 28 | 35 | 32 | 35 |
| FXL0640-R68-M | 0.68 | 4.8 | 17 | 19 | 16 | 17 |
| FXL0640-1R0-M | 1.0 | 6.6 | 15 | 16 | 12.5 | 13.5 |
| FXL0640-1R5-M | 1.5 | 10 | 12 | 12.5 | 11 | 12.4 |
| FXL0640-2R2-M | 2.2 | 14 | 10 | 11 | 8.5 | 10 |
| FXL0640-3R3-M | 3.3 | 20 | 8.7 | 9.5 | 7.8 | 8.5 |
| FXL0640-4R7-M | 4.7 | 30 | 8 | 9 | 6 | 6.5 |
| FXL0640-6R8-M | 6.8 | 45 | 6 | 6.5 | 5 | 5.5 |
| FXL0640-8R2-M | 8.2 | 55 | 5.0 | 6 | 4.2 | 5.2 |
| FXL0640-100-M | 10 | 65 | 5 | 6 | 4 | 4.8 |
| FXL0640-150-M | 15 | 95 | 4 | 4.5 | 3.2 | 3.7 |
| FXL0640-220-M | 22 | 125 | 3.5 | 4 | 3 | 3.3 |
| FXL0640-330-M | 33 | 240 | 2.5 | 3 | 2 | 2.2 |
| FXL0640-470-M | 47 | 320 | 2 | 2.5 | 1.6 | 1.8 |

深圳市长江微电科技有限公司
SZ CJIANG TECHNOLOGY CO.,LTD

FXL0650-XXX series

| Part No. | Inductance | DC Resistance | Saturation Current | Saturation Current | Heating Rating Current | Heating Rating Current |
|---------------|--------------------|---------------|--------------------|--------------------|------------------------|------------------------|
| | L0 (μH) | DCR (mΩ) | Isat (A) | Isat (A) | Irms (A) | Irms (A) |
| | ±20 %, 100 kHz, 1V | MAX. | MAX | TYP. | MAX | TYP. |
| FXL0650-R47-M | 0.47 | 3.9 | 16.8 | 21 | 17.0 | 20 |
| FXL0650-R68-M | 0.68 | 4.5 | 14.4 | 18 | 14.5 | 16.5 |
| FXL0650-1R0-M | 1.0 | 6.6 | 12.8 | 16 | 10 | 12 |
| FXL0650-1R5-M | 1.5 | 10 | 10.4 | 13 | 8.2 | 9.5 |
| FXL0650-2R2-M | 2.2 | 12.5 | 8.8 | 11 | 8.0 | 9 |
| FXL0650-3R3-M | 3.3 | 22 | 8.0 | 10 | 7.6 | 8.5 |
| FXL0650-4R7-M | 4.7 | 29 | 6.4 | 8 | 5 | 6 |
| FXL0650-6R8-M | 6.8 | 41 | 5.04 | 6.3 | 4 | 5.8 |
| FXL0650-8R2-M | 8.2 | 48 | 4.4 | 5.5 | 4.8 | 5.5 |
| FXL0650-100-M | 10 | 60 | 4.24 | 5.3 | 3.8 | 4.5 |
| FXL0650-150-M | 15 | 90 | 3.2 | 4 | 2.6 | 3.1 |
| FXL0650-220-M | 22 | 140 | 2.8 | 3.5 | 2 | 2.6 |
| FXL0650-330-M | 33 | 190 | 2.4 | 3.0 | 1.8 | 2.3 |
| FXL0650-470-M | 47 | 230 | 2.08 | 2.6 | 1.5 | 2 |

FXL0840-XXX series

| Part No. | Inductance | DC Resistance | Saturation Current | Saturation Current | Heating Rating Current | Heating Rating Current |
|---------------|--------------------|---------------|--------------------|--------------------|------------------------|------------------------|
| | L0 (μH) | DCR (mΩ) | Isat (A) | Isat (A) | Irms (A) | Irms (A) |
| | ±20 %, 100 kHz, 1V | MAX. | MAX | TYP. | MAX | TYP. |
| FXL0840-R22-M | 0.22 | 1.8 | 55 | 60 | 30 | 36 |
| FXL0840-R33-M | 0.33 | 2.4 | 40 | 45 | 25 | 30 |
| FXL0840-R47-M | 0.47 | 2.8 | 36 | 42 | 25 | 28 |
| FXL0840-R56-M | 0.56 | 3.2 | 23 | 26 | 22 | 24 |
| FXL0840-R68-M | 0.68 | 3.8 | 22 | 24 | 21 | 23 |
| FXL0840-R82-M | 0.82 | 4.4 | 19 | 21 | 19 | 21 |
| FXL0840-1R0-M | 1.0 | 4.62 | 17 | 19 | 17 | 19 |
| FXL0840-1R5-M | 1.5 | 7.6 | 15 | 17 | 15 | 17 |
| FXL0840-1R8-M | 1.8 | 11 | 13.5 | 15 | 12.5 | 15 |
| FXL0840-2R2-M | 2.2 | 11.4 | 12 | 14 | 12 | 14 |
| FXL0840-3R3-M | 3.3 | 15 | 11 | 12.5 | 10 | 12 |
| FXL0840-4R7-M | 4.7 | 26.5 | 10.5 | 11.5 | 8.5 | 9.5 |

深圳市长江微电科技有限公司
SZ CJIANG TECHNOLOGY CO.,LTD

| | | | | | | |
|---------------|------|------|-----|-----|-----|-----|
| FXL0840-5R6-M | 5.6 | 30 | 10 | 11 | 8.0 | 9 |
| FXL0840-6R8-M | 6.8 | 36.8 | 8.0 | 9 | 7.0 | 8 |
| FXL0840-8R2-M | 8.2 | 46 | 7.7 | 8.7 | 6.0 | 7 |
| FXL0840-100-M | 10.0 | 59 | 7.0 | 8 | 5.5 | 6.5 |
| FXL0840-150-M | 15.0 | 71 | 4.9 | 5.5 | 4.8 | 5.4 |
| FXL0840-220-M | 22.0 | 113 | 4.5 | 5 | 4.2 | 4.8 |
| FXL0840-330-M | 33.0 | 156 | 3.3 | 3.5 | 3.0 | 3.5 |
| FXL0840-470-M | 47.0 | 225 | 2.9 | 3.1 | 2.5 | 2.9 |

FXL1030-XXX series

| Part No. | Inductance | DC Resistance | Saturation Current | Saturation Current | Heating Rating Current | Heating Rating Current |
|---------------|--------------------|---------------|--------------------|--------------------|------------------------|------------------------|
| | L0 (μH) | DCR (mΩ) | Isat (A) | Isat (A) | Irms (A) | Irms (A) |
| | ±20 %, 100 kHz, 1V | MAX. | MAX | TYP. | MAX | TYP. |
| FXL1030-R22-M | 0.22 | 1.2 | 44.24 | 50 | 29.2 | 33 |
| FXL1030-R33-M | 0.33 | 1.6 | 28.3 | 32 | 20.35 | 23 |
| FXL1030-R36-M | 0.36 | 1.6 | 24.8 | 28 | 20.35 | 23 |
| FXL1030-R47-M | 0.47 | 2.5 | 23.0 | 26 | 19.47 | 22 |
| FXL1030-R82-M | 0.82 | 3.7 | 20.35 | 23 | 15.93 | 18 |
| FXL1030-1R0-M | 1.0 | 6 | 18.58 | 21 | 13.27 | 15 |
| FXL1030-2R2-M | 2.2 | 9 | 12.38 | 14 | 9.73 | 11 |
| FXL1030-3R3-M | 3.3 | 16 | 10.61 | 12 | 7.96 | 9 |
| FXL1030-4R7-M | 4.7 | 24 | 8.84 | 10 | 6.19 | 7 |
| FXL1030-8R2-M | 8.2 | 45 | 6.2 | 7 | 4.42 | 5 |
| FXL1030-330-M | 33 | 160 | 3.53 | 4 | 2.3 | 2.6 |

FXL1040-XXX series

| Part No. | Inductance | DC Resistance | Saturation Current | Saturation Current | Heating Rating Current | Heating Rating Current |
|---------------|--------------------|---------------|--------------------|--------------------|------------------------|------------------------|
| | L0 (μH) | DCR (mΩ) | Isat (A) | Isat (A) | Irms (A) | Irms (A) |
| | ±20 %, 100 kHz, 1V | MAX. | MAX | TYP. | MAX | TYP. |
| FXL1040-R15-M | 0.15 | 0.65 | 60 | 75 | 40 | 45 |
| FXL1040-R22-M | 0.22 | 1 | 48 | 60 | 30 | 35 |
| FXL1040-R30-M | 0.30 | 1.1 | 36 | 50 | 30 | 35 |

深圳市长江微电科技有限公司
SZ CJIANG TECHNOLOGY CO.,LTD

| | | | | | | |
|---------------|------|------|------|-----|-----|-----|
| FXL1040-R36-M | 0.36 | 1.2 | 36 | 50 | 25 | 30 |
| FXL1040-R47-M | 0.47 | 1.7 | 32 | 40 | 25 | 30 |
| FXL1040-R56-M | 0.56 | 1.8 | 26.4 | 33 | 20 | 25 |
| FXL1040-R68-M | 0.68 | 2.4 | 24 | 30 | 19 | 23 |
| FXL1040-R80-M | 0.80 | 2.7 | 23.2 | 29 | 19 | 23 |
| FXL1040-1R0-M | 1.0 | 3.3 | 22.4 | 28 | 16 | 19 |
| FXL1040-1R5-M | 1.5 | 4.2 | 19.2 | 26 | 14 | 16 |
| FXL1040-2R2-M | 2.2 | 7 | 13.2 | 18 | 10 | 12 |
| FXL1040-3R3-M | 3.3 | 11.8 | 12.8 | 16 | 9.5 | 11 |
| FXL1040-4R7-M | 4.7 | 20 | 10.4 | 15 | 7.5 | 9 |
| FXL1040-5R6-M | 5.6 | 22 | 9.6 | 12 | 6.8 | 8.5 |
| FXL1040-6R8-M | 6.8 | 25 | 9.6 | 12 | 7 | 8.5 |
| FXL1040-8R2-M | 8.2 | 27 | 7.2 | 9 | 6.8 | 8 |
| FXL1040-100-M | 10 | 30 | 6.8 | 8.5 | 6.9 | 7.8 |
| FXL1040-150-M | 15 | 45 | 5.6 | 7 | 5.6 | 6.5 |
| FXL1040-220-M | 22 | 66 | 4.4 | 5.5 | 4.2 | 5 |
| FXL1040-330-M | 33 | 92 | 3.84 | 5 | 3.8 | 4.4 |
| FXL1040-470-M | 47 | 145 | 3.1 | 3.5 | 2.8 | 3.3 |
| FXL1040-560-M | 56 | 185 | 2.5 | 3.2 | 2.2 | 2.8 |
| FXL1040-680-M | 68 | 195 | 2.4 | 3 | 2 | 2.5 |
| FXL1040-820-M | 82 | 285 | 2.3 | 2.8 | 2.1 | 2.3 |
| FXL1040-101-M | 100 | 340 | 2.1 | 2.3 | 1.8 | 2 |

FXL1050-XXX series

| Part No. | Inductance | DC Resistance | Saturation Current | Saturation Current | Heating Rating Current | Heating Rating Current |
|---------------|--------------------|---------------|--------------------|--------------------|------------------------|------------------------|
| | L0 (μH) | DCR (mΩ) | Isat (A) | Isat (A) | Irms (A) | Irms (A) |
| | ±20 %, 100 kHz, 1V | MAX. | MAX | TYP. | MAX | TYP. |
| FXL1050-R22-M | 0.22 | 0.8 | 57.5 | 65 | 32.5 | 37 |
| FXL1050-1R0-M | 1.0 | 3 | 28 | 30 | 20.3 | 23 |
| FXL1050-1R5-M | 1.5 | 3.8 | 22 | 25 | 18.5 | 21 |
| FXL1050-2R2-M | 2.2 | 6 | 16.8 | 19 | 13.2 | 15 |
| FXL1050-3R3-M | 3.3 | 10 | 14 | 16 | 11.5 | 13 |
| FXL1050-4R7-M | 4.7 | 14 | 13.2 | 15 | 9.7 | 11 |
| FXL1050-5R6-M | 5.6 | 17 | 12.3 | 14 | 8.5 | 9.5 |

深圳市长江微电科技有限公司
SZ CJIANG TECHNOLOGY CO.,LTD

| | | | | | | |
|---------------|-----|------|------|-----|-----|-----|
| FXL1050-6R8-M | 6.8 | 18.5 | 12.3 | 14 | 8.0 | 9 |
| FXL1050-100-M | 10 | 28 | 8.8 | 10 | 7.0 | 8 |
| FXL1050-150-M | 15 | 42 | 6.5 | 7.5 | 5.7 | 6.5 |
| FXL1050-220-M | 22 | 50 | 5.3 | 6 | 5.0 | 5.5 |
| FXL1050-330-M | 33 | 86 | 4.6 | 5.2 | 4.2 | 4.8 |
| FXL1050-470-M | 47 | 127 | 4.0 | 4.5 | 3.2 | 3.7 |
| FXL1050-680-M | 68 | 180 | 2.8 | 3.5 | 2.4 | 2.7 |
| FXL1050-101-M | 100 | 290 | 2.5 | 2.8 | 1.8 | 2.1 |

FXL1340-XXX series

| Part No. | Inductance | DC Resistance | Saturation Current | Saturation Current | Heating Rating Current | Heating Rating Current |
|---------------|--------------------|---------------|--------------------|--------------------|------------------------|------------------------|
| | L0 (μH) | DCR (mΩ) | Isat (A) | Isat (A) | Irms (A) | Irms (A) |
| | ±20 %, 100 kHz, 1V | MAX. | MAX | TYP. | MAX | TYP. |
| FXL1340-R22-M | 0.22 | 0.9 | 40 | 50 | 38 | 42 |
| FXL1340-R47-M | 0.47 | 2 | 38.4 | 48 | 29 | 33 |
| FXL1340-R68-M | 0.68 | 3.5 | 37.6 | 47 | 24 | 28 |
| FXL1340-R82-M | 0.82 | 4.5 | 32 | 40 | 24 | 28 |
| FXL1340-1R0-M | 1.0 | 7.5 | 28 | 35 | 20 | 24 |
| FXL1340-1R5-M | 1.5 | 9.5 | 24.4 | 30.5 | 17 | 20 |
| FXL1340-2R2-M | 2.2 | 11.5 | 20.8 | 26 | 15 | 18 |
| FXL1340-3R3-M | 3.3 | 13 | 16.8 | 21 | 13 | 15 |
| FXL1340-4R7-M | 4.7 | 14.5 | 14.4 | 18 | 11 | 13 |
| FXL1340-6R8-M | 6.8 | 20 | 11.2 | 14 | 8 | 9 |
| FXL1340-100-M | 10 | 25 | 8 | 10 | 7 | 8 |
| FXL1340-150-M | 15 | 39 | 6 | 7.5 | 5.8 | 6.5 |
| FXL1340-220-M | 22 | 51 | 4.8 | 6 | 3.8 | 4.5 |

深圳市长江微电科技有限公司
SZ CJIANG TECHNOLOGY CO.,LTD

FXL1350-XXX series

| Part No. | Inductance | DC Resistance | Saturation Current | Saturation Current | Heating Rating Current | Heating Rating Current |
|---------------|--------------------|---------------|--------------------|--------------------|------------------------|------------------------|
| | L0 (μH) | DCR (mΩ) | Isat (A) | Isat (A) | Irms (A) | Irms (A) |
| | ±20 %, 100 kHz, 1V | MAX. | MAX | TYP. | MAX | TYP. |
| FXL1350-R22-M | 0.22 | 0.7 | 60 | 75 | 45 | 50 |
| FXL1350-R36-M | 0.36 | 0.85 | 40 | 50 | 37 | 42 |
| FXL1350-R50-M | 0.50 | 1.15 | 38.4 | 48 | 33 | 38 |
| FXL1350-R68-M | 0.68 | 1.55 | 36.8 | 46 | 29 | 33 |
| FXL1350-R82-M | 0.82 | 1.67 | 31.2 | 39 | 26 | 30 |
| FXL1350-1R0-M | 1.0 | 2.2 | 28 | 35 | 22 | 26 |
| FXL1350-1R5-M | 1.5 | 3.2 | 26.4 | 33 | 19 | 23 |
| FXL1350-2R2-M | 2.2 | 5 | 19.2 | 24 | 13 | 15 |
| FXL1350-3R3-M | 3.3 | 7 | 17.6 | 22 | 12 | 14 |
| FXL1350-4R7-M | 4.7 | 9 | 16 | 21 | 11 | 13 |
| FXL1350-6R8-M | 6.8 | 18 | 12.8 | 16 | 10 | 12 |
| FXL1350-8R2-M | 8.2 | 20 | 11 | 13 | 8.2 | 9.5 |
| FXL1350-100-M | 10 | 22 | 9.6 | 12 | 8 | 9 |
| FXL1350-150-M | 15 | 30 | 8 | 10 | 7 | 8 |
| FXL1350-220-M | 22 | 58 | 5.2 | 6.5 | 3.8 | 4.5 |
| FXL1350-330-M | 33 | 84 | 4.8 | 6 | 2.8 | 3.5 |
| FXL1350-470-M | 47 | 130 | 4.0 | 5 | 2.6 | 3 |

FXL1360-XXX series

| Part No. | Inductance | DC Resistance | Saturation Current | Saturation Current | Heating Rating Current | Heating Rating Current |
|---------------|--------------------|---------------|--------------------|--------------------|------------------------|------------------------|
| | L0 (μH) | DCR (mΩ) | Isat (A) | Isat (A) | Irms (A) | Irms (A) |
| | ±20 %, 100 kHz, 1V | MAX. | MAX | TYP. | MAX | TYP. |
| FXL1360-1R0-M | 1.0 | 2.3 | 28 | 31 | 24 | 28 |
| FXL1360-2R2-M | 2.2 | 4.2 | 24 | 28 | 18 | 22 |
| FXL1360-4R7-M | 4.7 | 9 | 19.2 | 24 | 12 | 15 |
| FXL1360-5R6-M | 5.6 | 11 | 18 | 22.5 | 11 | 13 |
| FXL1360-6R8-M | 6.8 | 13.5 | 15.2 | 19 | 10 | 12 |

深圳市长江微电科技有限公司
SZ CJIANG TECHNOLOGY CO.,LTD

| | | | | | | |
|---------------|-----|------|------|------|------|-----|
| FXL1360-8R2-M | 8.2 | 16 | 10.8 | 13.5 | 9 | 11 |
| FXL1360-100-M | 10 | 20.7 | 11.1 | 12.5 | 8.5 | 10 |
| FXL1360-120-M | 12 | 23 | 8 | 10 | 5.8 | 7 |
| FXL1360-150-M | 15 | 29 | 7.2 | 9 | 4.9 | 6 |
| FXL1360-180-M | 18 | 35 | 6.4 | 8 | 4.3 | 5 |
| FXL1360-220-M | 22 | 39.5 | 6 | 7.5 | 4.15 | 5 |
| FXL1360-270-M | 27 | 56 | 5.2 | 6.5 | 3.3 | 4 |
| FXL1360-330-M | 33 | 75 | 4.8 | 6 | 3.15 | 4 |
| FXL1360-470-M | 47 | 90 | 4.4 | 5.5 | 2.9 | 3.5 |
| FXL1360-680-M | 68 | 140 | 3.6 | 4.5 | 2.5 | 3 |
| FXL1360-101-M | 100 | 200 | 2.8 | 3.5 | 2.1 | 2.5 |
| FXL1360-121-M | 120 | 235 | 2.56 | 3.2 | 1.7 | 2 |
| FXL1360-151-M | 150 | 350 | 2.16 | 2.7 | 1.2 | 1.5 |

FXL1365-XXX series

| Part No. | Inductance | DC Resistance | Saturation Current | Saturation Current | Heating Rating Current | Heating Rating Current |
|---------------|--------------------|---------------|--------------------|--------------------|------------------------|------------------------|
| | L0 (μH) | DCR (mΩ) | Isat (A) | Isat (A) | Irms (A) | Irms (A) |
| | ±20 %, 100 kHz, 1V | MAX. | MAX | TYP. | MAX | TYP. |
| FXL1365-2R2-M | 2.2 | 4.2 | 22.4 | 28 | 16.8 | 21 |
| FXL1365-4R7-M | 4.7 | 8.5 | 20 | 24 | 13 | 16 |
| FXL1365-5R6-M | 5.6 | 10.5 | 18 | 22.5 | 12 | 14 |
| FXL1365-6R8-M | 6.8 | 12 | 17 | 19 | 11 | 13 |
| FXL1365-8R2-M | 8.2 | 14 | 14 | 16 | 9 | 12 |
| FXL1365-100-M | 10 | 16.5 | 13.5 | 15 | 10 | 11 |
| FXL1365-150-M | 15 | 26 | 8 | 11 | 6.5 | 9.5 |
| FXL1365-220-M | 22 | 36 | 7 | 9 | 6 | 8 |
| FXL1365-330-M | 33 | 65 | 6 | 8 | 4.8 | 6.5 |
| FXL1365-470-M | 47 | 70 | 5 | 6.8 | 4.5 | 5.5 |
| FXL1365-680-M | 68 | 120 | 4.8 | 5.2 | 4.0 | 4.8 |
| FXL1365-820-M | 82 | 135 | 4 | 4.5 | 3.5 | 4 |
| FXL1365-101-M | 100 | 170 | 3.2 | 4 | 3 | 3.5 |

深圳市长江微电科技有限公司
SZ CJIANG TECHNOLOGY CO.,LTD

FXL1770-XXX series

| Part No. | Inductance | DC Resistance | Saturation Current | Saturation Current | Heating Rating Current | Heating Rating Current |
|---------------|--------------------|---------------|--------------------|--------------------|------------------------|------------------------|
| | L0 (μH) | DCR (mΩ) | Isat (A) | Isat (A) | Irms (A) | Irms (A) |
| | ±20 %, 100 kHz, 1V | MAX. | MAX | TYP. | MAX | TYP. |
| FXL1770-2R2-M | 2.2 | 2.5 | 30 | 34 | 25.5 | 29 |
| FXL1770-3R3-M | 3.3 | 3.95 | 26 | 30 | 21 | 24 |
| FXL1770-4R7-M | 4.7 | 4.75 | 21 | 24 | 18.5 | 21 |
| FXL1770-6R8-M | 6.8 | 7.5 | 19.5 | 22 | 15 | 17 |
| FXL1770-8R2-M | 8.2 | 8.7 | 17.5 | 20 | 11.5 | 13 |
| FXL1770-100-M | 10 | 9.9 | 16.5 | 19 | 10.5 | 12 |
| FXL1770-150-M | 15 | 17 | 12.5 | 14.5 | 9.5 | 11 |
| FXL1770-220-M | 22 | 23 | 10 | 11.5 | 7.5 | 8.5 |
| FXL1770-330-M | 33 | 37 | 8.5 | 10 | 7 | 8 |
| FXL1770-470-M | 47 | 47 | 6.5 | 7.5 | 5.3 | 6 |
| FXL1770-680-M | 68 | 85 | 5.5 | 6.5 | 4.5 | 5.2 |
| FXL1770-101-M | 100 | 130 | 4.4 | 5 | 3.2 | 3.7 |

FXL2213-XXX series

| Part No. | Inductance | DC Resistance | Saturation Current | Saturation Current | Heating Rating Current | Heating Rating Current |
|---------------|--------------------|---------------|--------------------|--------------------|------------------------|------------------------|
| | L0 (μH) | DCR (mΩ) | Isat (A) | Isat (A) | Irms (A) | Irms (A) |
| | ±20 %, 100 kHz, 1V | MAX. | MAX | TYP. | MAX | TYP. |
| FXL2213-1R0-M | 1.0 | 0.95 | 54 | 60 | 65 | 70 |
| FXL2213-1R5-M | 1.5 | 1.15 | 48 | 52 | 57 | 62 |
| FXL2213-2R2-M | 2.2 | 1.25 | 43 | 48 | 52 | 58 |
| FXL2213-3R3-M | 3.3 | 1.75 | 37 | 41 | 47 | 49 |
| FXL2213-4R7-M | 4.7 | 2.2 | 34 | 38 | 44 | 47 |
| FXL2213-6R8-M | 6.8 | 3.1 | 32 | 36 | 36 | 40 |
| FXL2213-100-M | 10 | 4.15 | 20 | 28 | 30 | 33 |
| FXL2213-150-M | 15 | 6.12 | 18 | 23 | 23 | 26 |
| FXL2213-220-M | 22 | 11 | 14 | 15 | 18 | 22 |
| FXL2213-330-M | 33 | 15.4 | 10.5 | 12 | 16 | 19 |
| FXL2213-470-M | 47 | 20.8 | 10 | 12 | 14 | 17 |
| FXL2213-680-M | 68 | 29.5 | 9 | 12 | 12 | 14 |

深圳市长江微电科技有限公司
SZ CJIANG TECHNOLOGY CO.,LTD

| | | | | | | |
|---------------|-----|------|-----|---|-----|----|
| FXL2213-820-M | 82 | 34.2 | 7.7 | 9 | 10 | 12 |
| FXL2213-101-M | 100 | 40 | 7.5 | 9 | 9.5 | 11 |

Notes

1. All test data is referenced to 25 °C ambient
2. Operating temperature range - 55 °C to + 125 °C
3. Isat (A) MAX: DC current at which the inductance drops approximately 30% from its value without current.
4. Irms (typ):DC current that causes the temperature rise(AT = 40 C) form 25°C ambient
5. Irms (Max):DC current that causes the temperature rise(AT = 20°C)form 25°C ambient
6. The part temperature (ambient + temp rise) should not exceed 125°C under worst case operating conditions . Circuit design, component placement, PWB trace size and thickness, airflow and other cooling provisions, all affect the part temperature. Part temperature should be verified in the end application.
7. For FXL series inductors, absolute maximum voltage: DC 30V.

深圳市长江微电科技有限公司
SZ CJIANG TECHNOLOGY CO.,LTD

| Mechanical Reliability | | |
|--------------------------|--|--|
| Item | Specification and Requirement | Test Method |
| Solderability | 1. No case deformation or change in appearance 2. New solder coverage More than 95% | 1.Preheat: $155^{\circ}\text{C} \pm 5^{\circ}\text{C}$, $60\text{S} \pm 2\text{S}$ 2.Tin: lead-free. 3.Temperature: $240^{\circ}\text{C} \pm 5^{\circ}\text{C}$, flux $3.0\text{S} \pm 0.5\text{S}$. |
| Mechanical shock | 1. No case deformation or change in appearance 2. $\Delta L/L_0 \leq \pm 10\%$ | 1. Acceleration: 100G 2. Pulse time: 6ms 3. 3 times in each positive and negative direction of 3 mutual perpendicular directions |
| Mechanical vibration | 1. No case deformation or change in appearance 2. $\Delta L/L_0 \leq \pm 10\%$ | 1. Reflow: 2times 2. Frequency: $10\text{HZ} \sim 55\text{HZ} \sim 10\text{HZ}$, 20 Min/Cycles 3. Amplitude: 1.52 mm 4. Directions: X,Y,Z 5. Time: 12 cycle / direction |
| Endurance Reliability | | |
| Item | Specification and Requirement | Test Method |
| Thermal Shock | Inductance change: Within $\pm 10\%$ Without distinct damage in appearance | 1. First -55°C for 30 minutes, last 125°C for 30 minutes as 1 cycle. Go through 1000 cycles. 2. Max transfer time is 3 minutes. 3. Measured at room temperature after placing for 24 ± 2 hours |
| Humidity Resistance | Inductance change: Within $\pm 10\%$ Without distinct damage in appearance | 1.Reflow 2 times, 2. 85°C ,85%RH,1000 hours 3.Measured at room temperature after placing for 24 ± 2 hours |
| Low temperature storage | Inductance change: Within $\pm 10\%$ Without distinct damage in appearance | 1. Temperature: $-55 \pm 2^{\circ}\text{C}$ 2. Time: 1000 hours 3. Measured at room temperature after placing for 24 ± 2 hours |
| High temperature storage | Inductance change: Within $\pm 10\%$ Without distinct damage in appearance | 1. Temperature: $+125 \pm 2^{\circ}\text{C}$ 2. Time: 1000 hours 3. Measured at room temperature after placing for 24 ± 2 hours |

Recommended Soldering Technologies

(1)Re-flowing Profile

Preheat condition: 150 ~200°C/60~120sec.

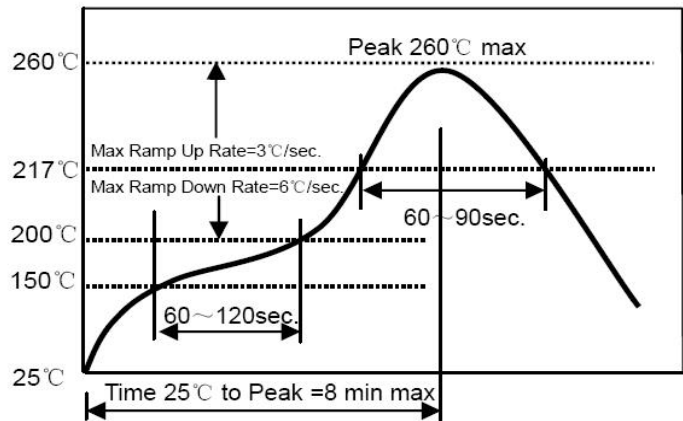
Allowed time above 217°C: 60~90sec.

Max temp: 260°C

Max time at max temp: 10 sec.

Solder paste: Sn/3.0Ag/0.5Cu

Allowed Reflow time: 2x max



(2)Iron Soldering Profile

Iron soldering power: Max. 30W

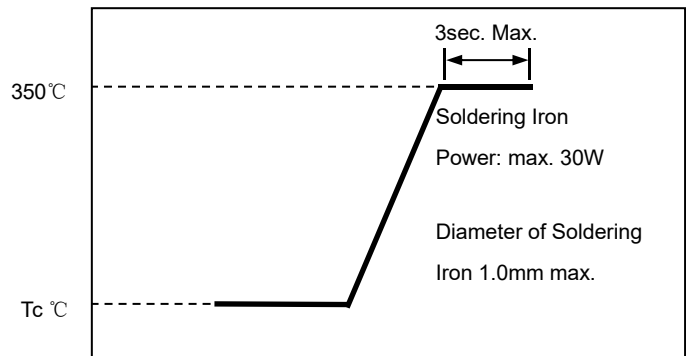
Pre-heating: 150°C/60sec.

Soldering Tip temperature: 350°C Max.

Soldering time: 3sec. Max.

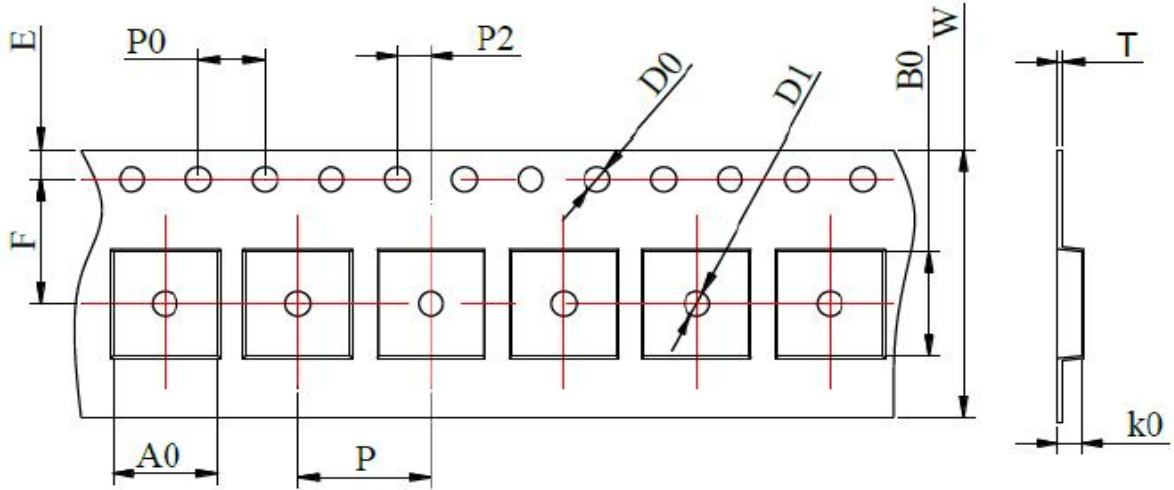
Solder paste: Sn/3.0Ag/0.5Cu

Max.1 times for iron soldering



Packaging Information

(1) Tape Packaging Dimensions (Unit: mm)

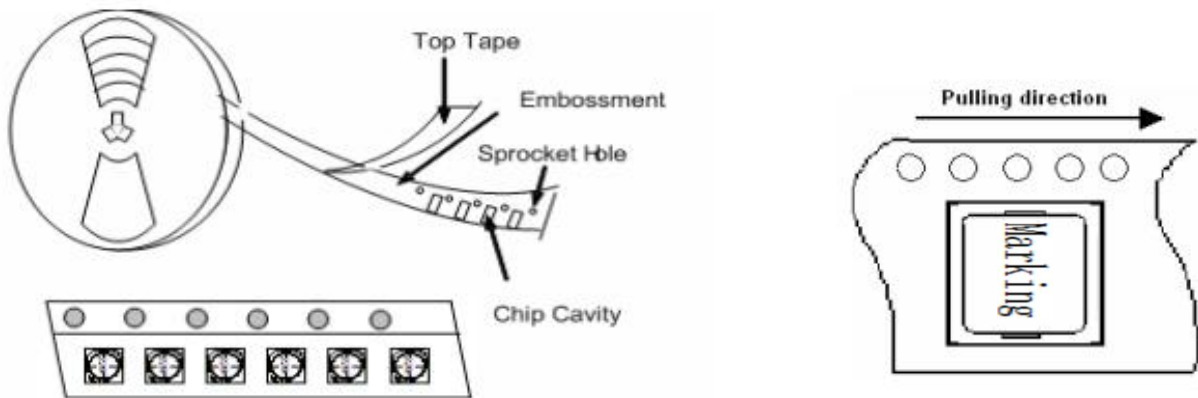


| Type | Tape dimensions (mm) | | | | | | | | | | | |
|---------|----------------------|------------|-------------|-------------|--------------|--------------|---------------|--------------|--------------|--------------|--------------|--------------|
| | W | P | P0 | P2 | D0 | D1 | T | A0 | B0 | K0 | E | F |
| FXL0412 | 12 ±0.3 | 8 ±0.1 | 4 ±0.1 | 2 ±0.1 | 1.5 ±0.1 | 1.5 ±0.1 | 0.35 ±0.05 | 4.5 ±0.1 | 4.85 ±0.1 | 1.5 ±0.1 | 1.75 ±0.1 | 5.5 ±0.1 |
| FXL0420 | 12 ±0.3 | 8 ±0.1 | 4 ±0.1 | 2 ±0.1 | 1.5 ±0.1 | 1.5 ±0.1 | 0.35 ±0.05 | 4.5 ±0.1 | 4.85 ±0.1 | 2.3 ±0.1 | 1.75 ±0.1 | 5.5 ±0.1 |
| FXL0518 | 12 ±0.3 | 8 ±0.1 | 4 ±0.1 | 2 ±0.1 | 1.5 ±0.1 | 1.5 ±0.1 | 0.35 ±0.05 | 5.5 ±0.1 | 5.9 ±0.1 | 2.0 ±0.01 | 1.75 ±0.1 | 5.5 ±0.1 |
| FXL0530 | 12 ±0.3 | 8 ±0.1 | 4 ±0.1 | 2 ±0.1 | 1.5 ±0.1 | 1.5 ±0.1 | 0.35 ±0.05 | 5.5 ±0.1 | 5.9 ±0.1 | 3.3 ±0.1 | 1.75 ±0.1 | 5.5 ±0.1 |
| FXL0615 | 16 ±0.3 | 12 ±0.1 | 4 ±0.1 | 2 ±0.1 | 1.5 ±0.1 | 1.5 ±0.1 | 0.35 ±0.05 | 6.9 ±0.1 | 7.5 ±0.1 | 1.7 ±0.1 | 1.75 ±0.1 | 7.5 ±0.1 |
| FXL0618 | 16 ±0.3 | 12 ±0.1 | 4 ±0.1 | 2 ±0.1 | 1.5 ±0.1 | 1.5 ±0.1 | 0.35 ±0.05 | 6.9 ±0.1 | 7.5 ±0.1 | 2.1 ±0.1 | 1.75 ±0.1 | 7.5 ±0.1 |
| FXL0624 | 16 ±0.3 | 12 ±0.1 | 4 ±0.1 | 2 ±0.1 | 1.5 ±0.1 | 1.5 ±0.1 | 0.35 ±0.05 | 6.9 ±0.1 | 7.5 ±0.1 | 2.7 ±0.1 | 1.75 ±0.1 | 7.5 ±0.1 |
| FXL0630 | 16 ±0.3 | 12 ±0.1 | 4 ±0.1 | 2 ±0.1 | 1.5 ±0.1 | 1.5 ±0.1 | 0.35 ±0.05 | 7.0 ±0.1 | 7.7 ±0.1 | 3.3 ±0.1 | 1.75 ±0.1 | 7.5 ±0.1 |
| FXL0640 | 16 ±0.3 | 12 ±0.1 | 4 ±0.1 | 2 ±0.1 | 1.5 ±0.1 | 1.5 ±0.1 | 0.4 ±0.05 | 6.9 ±0.1 | 7.5 ±0.1 | 4.3 ±0.1 | 1.75 ±0.1 | 7.5 ±0.1 |
| FXL0650 | 16 ±0.3 | 12 ±0.1 | 4 ±0.1 | 2 ±0.1 | 1.5 ±0.1 | 1.5 ±0.1 | 0.4 ±0.05 | 6.9 ±0.1 | 7.5 ±0.1 | 5.4 ±0.1 | 1.75 ±0.1 | 7.5 ±0.1 |
| FXL0840 | 24 ±0.3 | 16 ±0.1 | 4 ±0.1 | 2 ±0.1 | 1.55 ±0.1 | 1.55 ±0.1 | 0.35 ±0.05 | 8.9 ±0.1 | 10.1 ±0.1 | 4.4 ±0.1 | 1.75 ±0.1 | 11.5 ±0.1 |
| FXL1030 | 24 ±0.3 | 16 ±0.1 | 4 ±0.1 | 2 ±0.05 | 1.5 ±0.1 | 1.5 ±0.1 | 0.35 ±0.05 | 10.4 ±0.1 | 11.6 ±0.1 | 3.3 ±0.1 | 1.75 ±0.1 | 11.5 ±0.1 |
| FXL1040 | 24 ±0.3 | 16 ±0.1 | 4 ±0.1 | 2 ±0.05 | 1.5 ±0.1 | 1.5 ±0.1 | 0.35 ±0.05 | 10.4 ±0.1 | 11.6 ±0.1 | 4.3 ±0.1 | 1.75 ±0.1 | 11.5 ±0.1 |
| FXL1050 | 24 ±0.3 | 16 ±0.1 | 4 ±0.1 | 2 ±0.05 | 1.5 ±0.1 | 1.5 ±0.1 | 0.4 ±0.05 | 10.4 ±0.1 | 11.6 ±0.1 | 5.4 ±0.1 | 1.75 ±0.1 | 11.5 ±0.1 |
| FXL1340 | 24 ±0.3 | 16 ±0.1 | 4.0 ±0.1 | 2.0 ±0.1 | 1.5 ±0.1 | 1.5 ±0.1 | 0.5 ±0.05 | 13.1 ±0.1 | 14 ±0.1 | 4.3 ±0.1 | 1.75 ±0.1 | 11.5 ±0.1 |

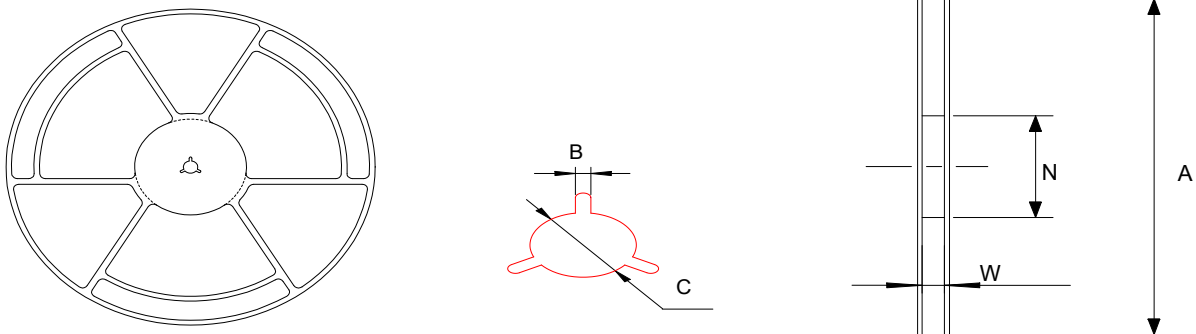
深圳市长江微电科技有限公司
SZ CJIANG TECHNOLOGY CO.,LTD

| | | | | | | | | | | | | |
|---------|------------|------------|-------------|-------------|-------------|-------------|--------------|--------------|--------------|--------------|--------------|--------------|
| FXL1350 | 24 ±0.3 | 16 ±0.1 | 4.0 ±0.1 | 2.0 ±0.1 | 1.5 ±0.1 | 1.5 ±0.1 | 0.5 ±0.05 | 13.1 ±0.1 | 14 ±0.1 | 5.4 ±0.1 | 1.75 ±0.1 | 11.5 ±0.1 |
| FXL1360 | 24 ±0.3 | 16 ±0.1 | 4.0 ±0.1 | 2.0 ±0.1 | 1.5 ±0.1 | 1.5 ±0.1 | 0.5 ±0.05 | 13.1 ±0.1 | 14 ±0.1 | 6.3 ±0.1 | 1.75 ±0.1 | 11.5 ±0.1 |
| FXL1365 | 24 ±0.3 | 16 ±0.1 | 4.0 ±0.1 | 2.0 ±0.1 | 1.5 ±0.1 | 1.5 ±0.1 | 0.5 ±0.05 | 13.1 ±0.1 | 14 ±0.1 | 6.8 ±0.1 | 1.75 ±0.1 | 11.5 ±0.1 |
| FXL1770 | 32 ±0.3 | 24 ±0.1 | 4.0 ±0.1 | 2.0 ±0.1 | 1.5 ±0.1 | 0.5 ±0.1 | 17.5 ±0.1 | 18.1 ±0.1 | 7.3 ±0.1 | 1.75 ±0.1 | 14.2 ±0.1 | 14.2 ±0.1 |
| FXL2213 | 44 ±0.3 | 32 ±0.1 | 4.0 ±0.1 | 2.0 ±0.1 | 1.5 ±0.1 | 0.5 ±0.1 | 23 ±0.1 | 24.4 ±0.1 | 13.5 ±0.1 | 1.75 ±0.1 | 20.2 ±0.1 | 44 ±0.3 |

Taping Drawings (UNIT:mm)



(2) Reel Dimensions (Unit: mm)



深圳市长江微电科技有限公司
SZ CJIANG TECHNOLOGY CO.,LTD

| Type | A | W | N | B | C |
|---------|---------|----------|--------|---------|----------|
| FXL0412 | 330±2.0 | 12.8±0.2 | 97±0.5 | 2.2±0.5 | 13.0±0.2 |
| FXL0420 | 330±2.0 | 12.8±0.2 | 97±0.5 | 2.2±0.5 | 13.0±0.2 |
| FXL0518 | 330±2.0 | 12.8±0.2 | 97±0.5 | 2.2±0.5 | 13.2±0.2 |
| FXL0530 | 330±2.0 | 12.8±0.2 | 97±0.5 | 2.2±0.5 | 13.2±0.2 |
| FXL0615 | 330±2.0 | 16.8±0.2 | 97±0.5 | 2.2±0.5 | 13.2±0.2 |
| FXL0618 | 330±2.0 | 16.8±0.2 | 97±0.5 | 2.2±0.5 | 13.2±0.2 |
| FXL0624 | 330±2.0 | 16.8±0.2 | 97±0.5 | 2.2±0.5 | 13.2±0.2 |
| FXL0630 | 330±2.0 | 16.8±0.2 | 97±0.5 | 2.2±0.5 | 13.2±0.2 |
| FXL0640 | 330±2.0 | 16.8±0.2 | 97±0.5 | 2.2±0.5 | 13.2±0.2 |
| FXL0650 | 330±2.0 | 16.8±0.2 | 97±0.5 | 2.2±0.5 | 13.2±0.2 |
| FXL0840 | 330±2.0 | 24±0.5 | 97±0.5 | 2.2±0.5 | 13.0±0.2 |
| FXL1030 | 330±2.0 | 24±0.5 | 97±0.5 | 2.2±0.5 | 13.0±0.2 |
| FXL1040 | 330±2.0 | 24±0.5 | 97±0.5 | 2.2±0.5 | 13.0±0.2 |
| FXL1050 | 330±2.0 | 24±0.5 | 97±0.5 | 2.2±0.5 | 13.0±0.2 |
| FXL1340 | 330±2.0 | 24±0.5 | 97±0.5 | 2.2±0.5 | 13.0±0.2 |
| FXL1350 | 330±2.0 | 24±0.5 | 97±0.5 | 2.2±0.5 | 13.0±0.2 |
| FXL1360 | 330±2.0 | 24±0.5 | 97±0.5 | 2.2±0.5 | 13.0±0.2 |
| FXL1365 | 330±2.0 | 24±0.5 | 97±0.5 | 2.2±0.5 | 13.0±0.2 |

深圳市长江微电科技有限公司
SZ CJIANG TECHNOLOGY CO.,LTD

| | | | | | |
|---------|---------|----------|--------|---------|----------|
| FXL1770 | 330±2.0 | 32.0±0.5 | 97±0.5 | 2.3±0.3 | 13.0±0.2 |
| FXL2213 | 330±2.0 | 44.0±0.5 | 97±0.5 | 2.3±0.3 | 13.0±0.2 |

深圳市长江微电科技有限公司
SZ CJIANG TECHNOLOGY CO.,LTD

(3) Packaging Quantity

| Type | Standard Quantity | | |
|---------|-------------------|-------------------------|---------------------------------|
| | Reel | Inner box | Carton box |
| FXL0412 | 3000 pcs / reel | 4Reel / box (12000 pcs) | 3 Middle boxes, (36,000 pcs) |
| FXL0420 | 3000 pcs / reel | 4Reel / box (12000 pcs) | 3 Middle boxes, (36,000 pcs) |
| FXL0518 | 2000 pcs / reel | 4Reel / box (8000 pcs) | 3 Middle boxes, (24000 pcs) |
| FXL0530 | 2000 pcs / reel | 4Reel / box (8000 pcs) | 3 Middle boxes, (24000 pcs) |
| FXL0615 | 2000 pcs / reel | 3Reel / box (6000 pcs) | 3 Middle boxes, (18000 pcs) |
| FXL0618 | 1500 pcs / reel | 3Reel / box (4500 pcs) | 3 Middle boxes, (13500 pcs) |
| FXL0624 | 1500 pcs / reel | 3Reel / box (4500 pcs) | 3 Middle boxes, (13500 pcs) |
| FXL0630 | 1500 pcs / reel | 3Reel / box (4500 pcs) | 3 Middle boxes, (13500 pcs) |
| FXL0640 | 1000 pcs / reel | 3Reel / box (3000 pcs) | 3 Middle boxes, (9000 pcs) |
| FXL0650 | 1000 pcs / reel | 3Reel / box (3000 pcs) | 3 Middle boxes, (9000 pcs) |
| FXL0840 | 800 pcs / reel | 2Reel / box (1600 pcs) | 3 Middle boxes, (4800 pcs) |
| FXL1030 | 800 pcs / reel | 2Reel / box (1600 pcs) | 3Middle boxes, (4800 pcs) |
| FXL1040 | 500 pcs / reel | 2Reel / box (1000 pcs) | 3 Middle boxes, (3000 pcs) |
| FXL1050 | 500 pcs / reel | 2Reel / box (1000 pcs) | 3 Middle boxes, (3000 pcs) |
| FXL1340 | 500 pcs / reel | 2Reel / box (1000 pcs) | 3 Middle boxes, (3000 pcs) |
| FXL1350 | 500 pcs / reel | 2Reel / box (1000 pcs) | 3 Middle boxes, (3000 pcs) |
| FXL1360 | 500 pcs / reel | 2Reel / box (1000 pcs) | 3 Middle boxes, (3000 pcs) |

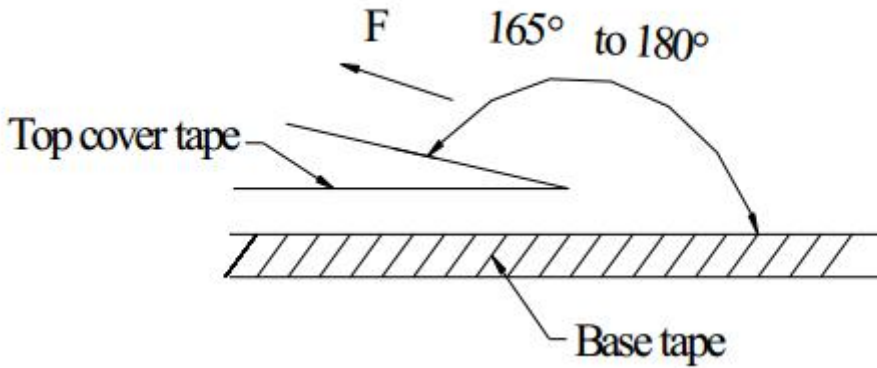
深圳市长江微电科技有限公司
SZ CJIANG TECHNOLOGY CO.,LTD

| | | | |
|---------|----------------|------------------------|--------------------------------|
| FXL1365 | 500 pcs / reel | 2Reel / box (1000 pcs) | 3 Middle boxes, (3000 pcs) |
| FXL1770 | 200 pcs / reel | 2Reel / box (400 pcs) | 3 Middle boxes, (12000 pcs) |
| FXL2213 | 80 pcs / reel | 1Reel / box (80 pcs) | Middle boxes, (240 pcs) |

(4) Peel force of top cover tape

The peel speed shall be about 300mm/minute

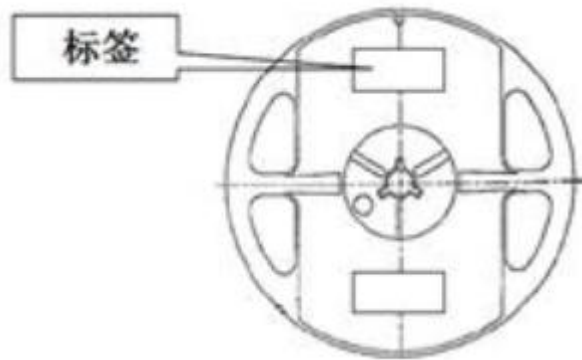
The peel force of top cover tape shall be between 0.1 to 1.3 N



(5) Reel Label

Label on the reel

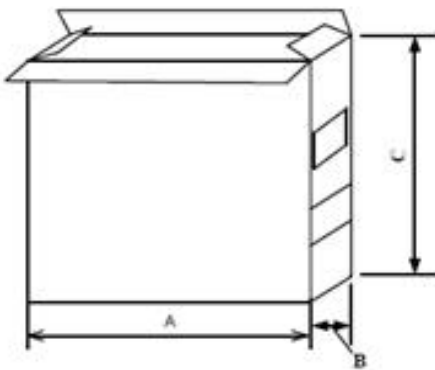
- Customer's part Number
- Lot Number
- Quantity
- date code



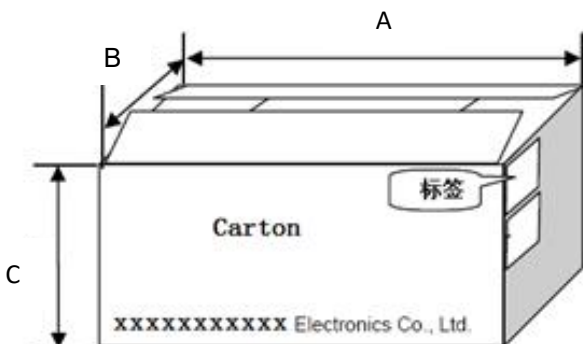
Shipping Label

- Customer's part Number
- Manufacturer's part Number
- Quantity
- date code

(6) Inner Box



| Packaging type | A (mm) | B (mm) | B (mm) |
|----------------|--------|--------|--------|
| inner box | 354 | 335 | 86 |



| Packaging type | A (mm) | B (mm) | B (mm) |
|----------------|--------|--------|--------|
| type | 370 | 365 | 285 |

X-ON Electronics

Largest Supplier of Electrical and Electronic Components

Click to view similar products for [Fixed Inductors](#) category:

Click to view products by [Changjiang Microelectronics](#) manufacturer:

Other Similar products are found below :

[CR32NP-100KC](#) [70F224AI](#) [MHQ1005P10NJ](#) [MHQ1005P1N0S](#) [MHQ1005P2N4S](#) [MHQ1005P3N6S](#) [MHQ1005P5N1S](#) [MHQ1005P8N2J](#)
[PE-53601NL](#) [PE-53602NL](#) [PG0936.113NLT](#) [9220-20](#) [9310-16](#) [PM06-2N7](#) [PM06-39NJ](#) [A01TK](#) [1206CS-471XJ](#) [HC2-R47-R](#) [HC8-1R2-R](#)
[HCF1305-3R3-R](#) [1206CS-151XG](#) [RCH664NP-4R7M](#) [RCP1317NP-391L](#) [DH2280-4R7M](#) [DS1608C-106](#) [B10TJ](#) [B82498B3101J000](#) [ELJ-](#)
[RE27NJF2](#) [1812CS-153XJ](#) [1812CS-183XJ](#) [1812CS-223XJ](#) [1812LS-104XJ](#) [1812LS-105XJ](#) [1812LS-124XJ](#) [1812LS-154XJ](#) [1812LS-223XJ](#)
[1812LS-224XJ](#) [1812LS-563XJ](#) [1812LS-683XJ](#) [1812LS-824XJ](#) [NIN-FB101JTR110F](#) [NIN-FB471JTR62F](#) [NIN-FC1R5JTR220F](#) [NIN-](#)
[HCR15JTRF](#) [NIN-HCR33JTRF](#) [NIN-HDR22JTRF](#) [NIN-HDR82JTRF](#) [NIN-HK2N7STRF](#) [NIN-PA150KTR370F](#) [NIN-PB100KTR550F](#)