

# Specification for Approval

Customer	
Product Name	Wire Wound Molded SMD Power Inductors
Customer P/N:	
Cjiang P/N:	FXLA0630 Series

[  New Released,  Revised]

SPEC No.:

REMARK:		
Customer Approval Feedback		

●深圳市长江微电科技有限公司

SZ CJIANG TECHNOLOGY CO.,LTD

ADD: 11F, International Science and Technology Building, Fuhong Road, Futian District, Shenzhen

Factory ADD:No. shanyang RD CJIANG Industrial Park HUAi'AN Section HUAi'AN City Jiangsu Province

TEL: 0755-82529562 FAX:0755-83977004

<http://www.CJING.COM.CN>

E-mail: [BOND@Cjiang.com.cn](mailto:BOND@Cjiang.com.cn); [ann@cjiang.com.cn](mailto:ann@cjiang.com.cn)

**深圳市长江微电科技有限公司**  
**SZ CJIANG TECHNOLOGY CO.,LTD**

Version change history

Rev	Date	Description	APPROVE D	CHECKE D	DRAWN
1.0	2020/8/9	文件制定	Bond	Charles	王云燕

**Caution :**

All products listed in this specification are developed, designed and intended for use in general electronics equipment. The products are not designed or Warranted to meet the requirements of the applications listed below, whose performance and/or quality require especially high reliability, or whose failure, malfunction or trouble might directly cause damage to society, person, or property. Please understand that we are not responsible for any damage or liability caused by use of the products in any of the applications below. Please contact us for more details if you intend to use our products in the following applications.

1. Aircraft equipment.
2. Aerospace equipment.
3. Undersea equipment.
4. nuclear control equipment.
5. military equipment.
6. Power plant equipment.
7. Medical equipment.
8. Transportation equipment (automobiles, trains, ships,etc.)
9. Traffic signal equipment.
10. Disaster prevention / crime prevention equipment.
11. Data-processing equipment.
12. Applications of similar complexity or with reliability requirements comparable to the applications listed in the above.

## FXLA0630 Series

### introduction

- ROHS, Halogen Free and REACH compliance
- High rated current
- 125°C maximum total temperature operation
- 7.3×6.8×3.0mm maximum surface mount package
- Low core loss
- Ultra low buzz noise due to molding construction

### Applications

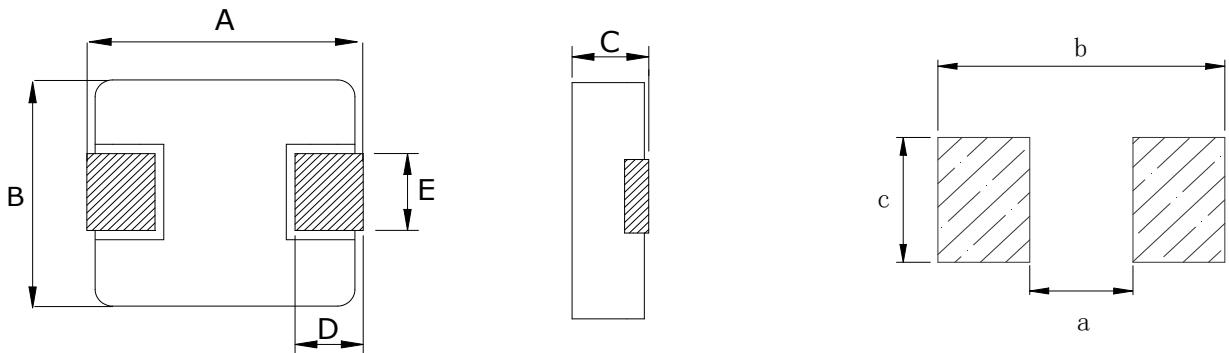
- Laptops and PCs
- Switch and servers
- Base stations
- DC/DC converters
- Battery powered devices
- SSD modules

### Product Identification

FXL      0630      --6R8      M  
 ①          ②          ③          ④

- ① FXL ----- Series name
- ② 0630 ----- Dimension
- ③ 6R8 ----- Inductance Value (6R8 = 6.8μH)
- ④ M -----Inductance Tolerance ( M= ± 20% )

### Dimensions (unit:mm)



Recommend Land Pattern

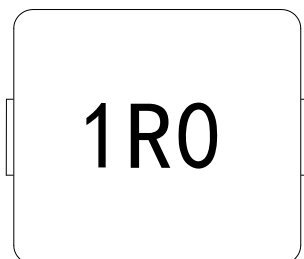
A	B	C	D	E	a typ	b typ	c typ
7.0±0.3	6.6±0.2	2.8±0.2	1.6±0.3	3.0±0.3	3.7	8.4	3.5

## Marking

The inductor is marked with a 3-digit code

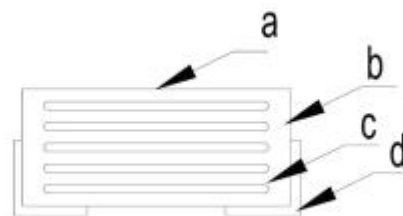
Nominal Inductance	
Example	Nominal Value
1R0	1.0 $\mu$ H
100	10 $\mu$ H
101	100 $\mu$ H

Note : Using Ink for marking



## Structure and Components

Symbol	Components	Material
a	MARKING	Ink (black)
b	CORE	Alloy Sponge Powder
c	WIRE	Polyurethane copper wire
d	Terminal	Copper plated with Sn



**深圳市长江微电科技有限公司**  
**SZ CJIANG TECHNOLOGY CO.,LTD**

Part No.	Inductance	DC Resistance	Saturation Current	Heating Rating Current
	L0 (μH)	DCR (mΩ)	Isat (A)	Irms (A)
	±20 %, 100 kHz, 1V	MAX.	TYP.	TYP.
FXLA0630-R22M	0.22	3	34	24
FXLA0630-R24M	0.24	3.1	26	23
FXLA0630-R33M	0.33	3.5	25	21
FXLA0630-R47M	0.47	4.1	20	18
FXLA0630-R56M	0.56	4.5	18	16.5
FXLA0630-R68M	0.68	5.3	17	16
FXLA0630-R82M	0.82	6.0	16	14
FXLA0630-1R0M	1.0	7.4	15	12
FXLA0630-1R5M	1.5	12.1	14	12
FXLA0630-2R2M	2.2	15	10	9.5
FXLA0630-3R3M	3.3	22	9.5	8.5
FXLA0630-4R7M	4.7	33	9	6
FXLA0630-5R6M	5.6	42	6.5	5.5
FXLA0630-6R8M	6.8	48	6	5
FXLA0630-8R2M	8.2	60	6	5
FXLA0630-100M	10	68	5.5	4.5
FXLA0630-150M	15	115	4.5	3
FXLA0630-220M	22	200	3	2.5
FXLA0630-330M	33	310	2.5	2
FXLA0630-470M	47	385	2	1.5
FXLA0630-680M	68	610	1.8	1.4
FXLA0630-820M	82	740	1.7	1.2
FXLA0630-101M	100	890	1.5	1.0

**Notes**

1. All test data is referenced to 25 °C ambient
2. Operating temperature range - 55 °C to + 125 °C
3. Irms (A):DC current (A) that will cause an approximate ΔT of 40 °C(reference ambient temperature is 25 °C)
4. Isat(A):DC current (A) that will cause L0 to drop approximately 30 %
5. The part temperature (ambient + temp rise) should not exceed 125 °C under worst case operating conditions. Circuit design, component placement, PWB trace size and thickness, airflow and other cooling provisions all affect the part temperature. Part temperature should be verified in the end application.
6. For FXLA series inductors,absolute maximum voltage: DC 30V

深圳市长江微电科技有限公司  
SZ CJIANG TECHNOLOGY CO.,LTD

Mechanical Reliability		
Item	Specification and Requirement	Test Method
Solderability	1. No case deformation or change in appearance  2. New solder coverage More than 95%	1.Preheat: 155°C ± 5°C , 60S ± 2S 2.Tin: lead-free. 3.Temperature:240°C ± 5°C , flux 3.0S ± 0.5S.
Mechanical shock	1. No case deformation or change in appearance  2. $\Delta L/Lo \leq \pm 10\%$	1. Acceleration: 100G 2. Pulse time: 6ms 3. 3 times in each positive and negative direction of 3 mutual perpendicular directions
Mechanical vibration	1. No case deformation or change in appearance  2. $\Delta L/Lo \leq \pm 10\%$	1. Reflow: 2times 2. Frequency: 10HZ ~ 55HZ ~ 10HZ, 20 Min/Cycles 3. Amplitude: 1.52 mm 4. Directions: X,Y,Z 5. Time: 12 cycle / direction
Endurance Reliability		
Item	Specification and Requirement	Test Method
Thermal Shock	Inductance change: Within $\pm 10\%$ Without distinct damage in appearance	1. First -55°C for 30 minutes, last 125°C for 30 minutes as 1 cycle. Go through 1000 cycles. 2. Max transfer time is 3 minutes. 3. Measured at room temperature after placing for 24 ± 2 hours
Humidity Resistance	Inductance change: Within $\pm 10\%$ Without distinct damage in appearance	1.Reflow 2 times, 2.85°C,85%RH,1000 hours 3.Measured at room temperature after placing for 24 ± 2 hours
Low temperature storage	Inductance change: Within $\pm 10\%$ Without distinct damage in appearance	1. Temperature: -55 ± 2°C 2. Time: 1000 hours 3. Measured at room temperature after placing for 24 ± 2 hours

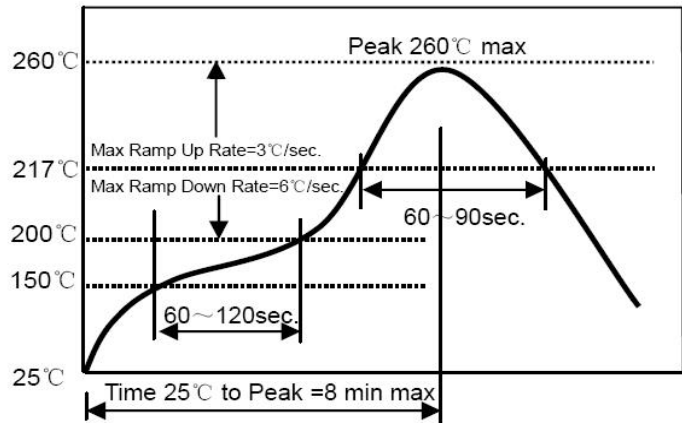
**深圳市长江微电科技有限公司**  
**SZ CJIANG TECHNOLOGY CO.,LTD**

High temperature storage	Inductance change: Within $\pm 10\%$ Without distinct damage in appearance	1. Temperature: $+125 \pm 2^\circ\text{C}$ 2. Time: 1000 hours 3. Measured at room temperature after placing for $24 \pm 2$ hours
--------------------------	---	---

**Recommended Soldering Technologies**

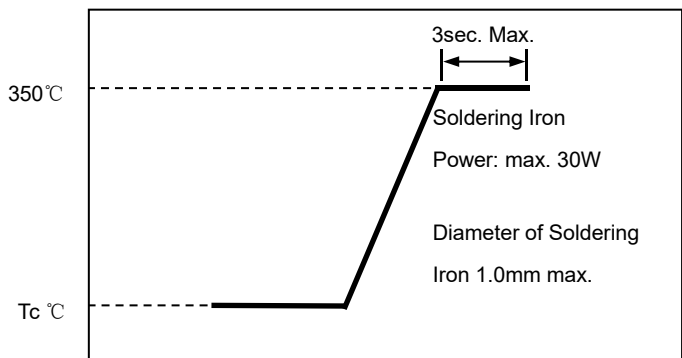
**(1)Re-flowing Profile**

- Preheat condition:  $150 \sim 200^\circ\text{C}/60 \sim 180\text{sec.}$
- Allowed time above  $217^\circ\text{C}$ :  $80 \sim 120\text{sec.}$
- Max temp:  $260^\circ\text{C}$
- Max time at max temp: 10 sec.
- Solder paste: Sn/3.0Ag/0.5Cu
- Allowed Reflow time: 2x max



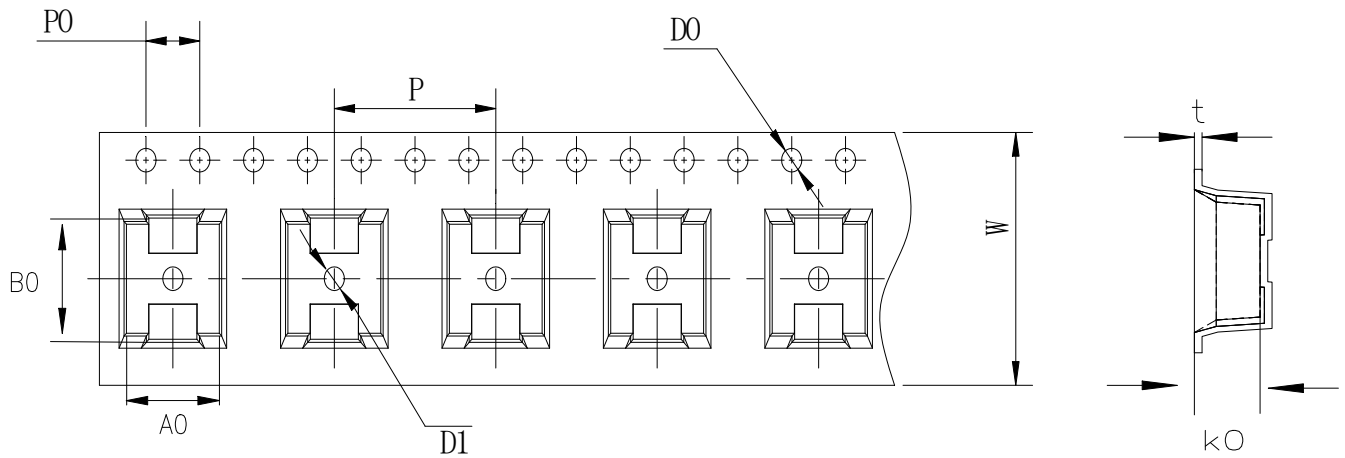
**(2)Iron Soldering Profile**

- Iron soldering power: Max. 30W
- Pre-heating:  $150^\circ\text{C}/60\text{sec.}$
- Soldering Tip temperature:  $350^\circ\text{C Max.}$
- Soldering time: 3sec. Max.
- Solder paste: Sn/3.0Ag/0.5Cu
- Max.1 times for iron soldering



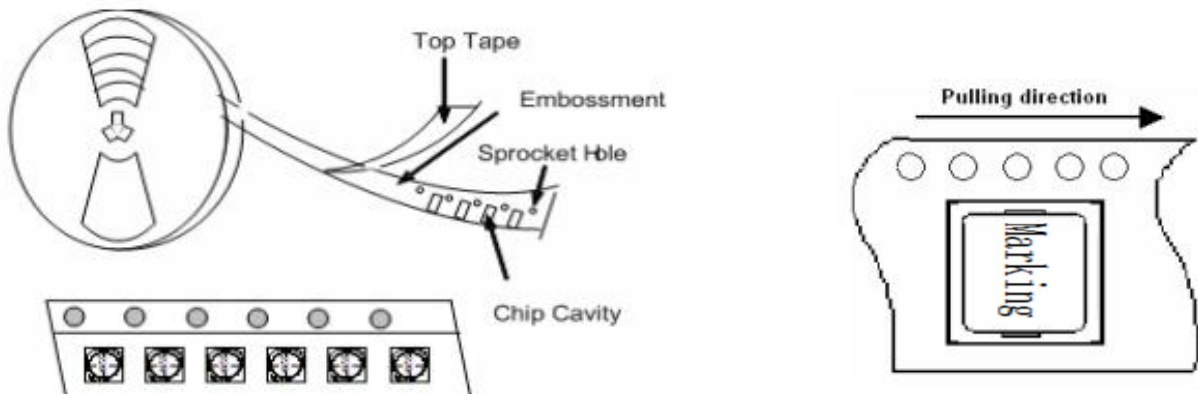
## Packaging Information

### (1) Tape Packaging Dimensions (Unit: mm)



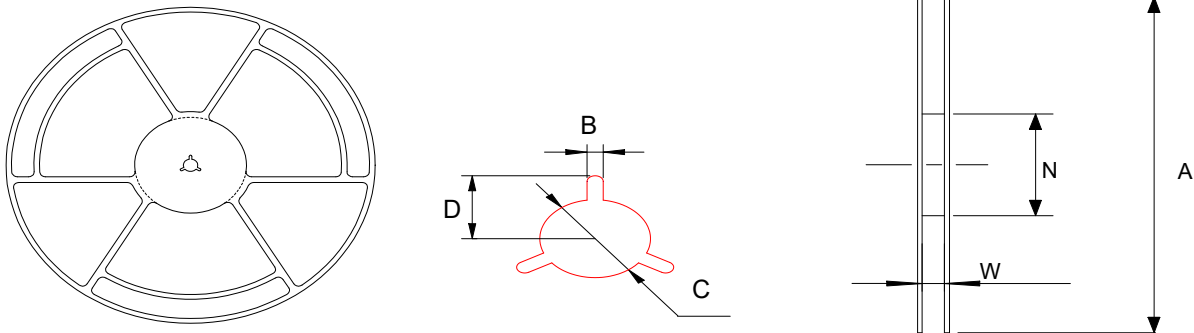
Type	Tape dimensions (mm)											
	W	P	P0	P2	D0	D1	T	A0	B0	K0	E	F
FXLA0630	16 ±0.3	12 ±0.1	4 ±0.1	2 ±0.1	1.5 ±0.1	1.5 ±0.1	0.35 ±0.05	6.9 ±0.1	7.5 ±0.1	3.3 ±0.1	1.75 ±0.1	7.5 ±0.1

### Taping Drawings (UNIT:mm)





**(2) Reel Dimensions (Unit: mm)**



A	W	N	B	C	D
330±2.0	16.8±0.2	97±0.5	2.2±0.5	13.2±0.2	10.75±0.25

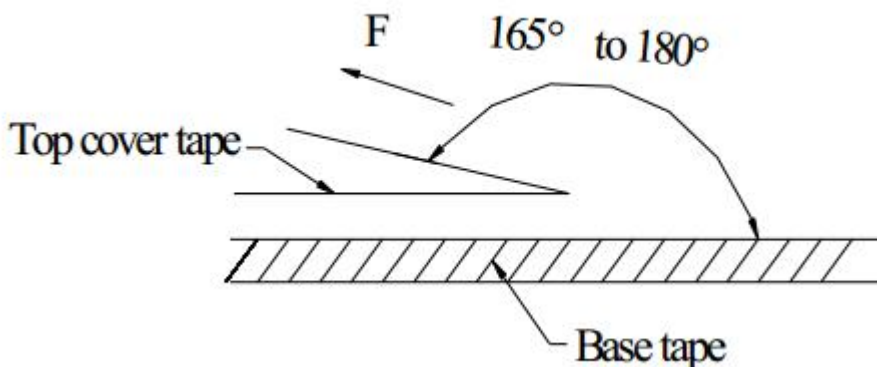
**(3) Packaging Quantity(PCS)**

Type	Standard Quantity		
	Reel	Inner box	Carton box
FXLA0630	1500 pcs / reel	3Reel / box (4500 pcs)	4 Middle boxes, (18000 pcs)

**(4) Peel force of top cover tape**

The peel speed shall be about 300mm/minute

The peel force of top cover tape shall be between 0.1 to 1.3 N



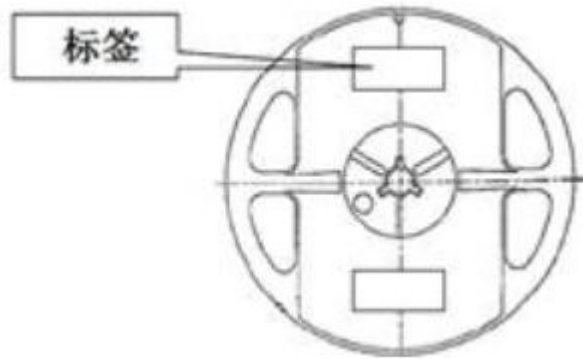
**(5) Reel Label**

Label on the reel

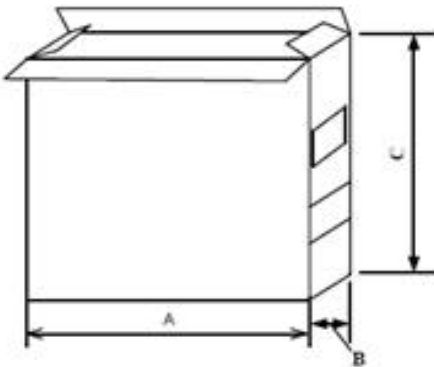
- Customer's part Number
- Lot Number
- Quantity
- date code

Shipping Label

- Customer's part Number
- Manufacturer's part Number
- Quantity
- date code

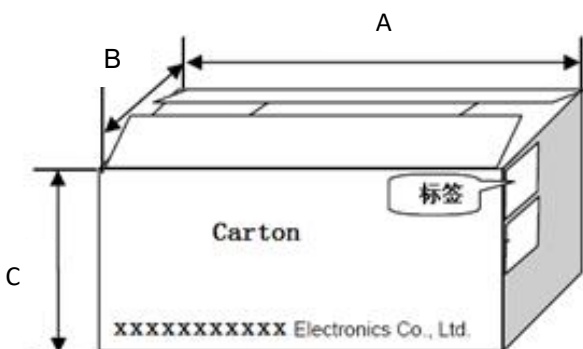


**(6) Inner Box**



Packaging type	A (mm)	B (mm)	C (mm)
Inner box	335	70	340

**(7) Carton**



Packaging type	A (mm)	B (mm)	B (mm)
type	360	360	360

## X-ON Electronics

Largest Supplier of Electrical and Electronic Components

*Click to view similar products for [Fixed Inductors](#) category:*

*Click to view products by [Changjiang Microelectronics](#) manufacturer:*

Other Similar products are found below :

[CR32NP-100KC](#) [70F224AI](#) [MHQ1005P10NJ](#) [MHQ1005P1N0S](#) [MHQ1005P2N4S](#) [MHQ1005P3N6S](#) [MHQ1005P5N1S](#) [MHQ1005P8N2J](#)  
[PE-53601NL](#) [PE-53602NL](#) [PG0936.113NLT](#) [9220-20](#) [9310-16](#) [PM06-2N7](#) [PM06-39NJ](#) [A01TK](#) [1206CS-471XJ](#) [HC2-R47-R](#) [HC8-1R2-R](#)  
[HCF1305-3R3-R](#) [1206CS-151XG](#) [RCH664NP-4R7M](#) [RCP1317NP-391L](#) [DH2280-4R7M](#) [DS1608C-106](#) [B10TJ](#) [B82498B3101J000](#) [ELJ-](#)  
[RE27NJF2](#) [1812CS-153XJ](#) [1812CS-183XJ](#) [1812CS-223XJ](#) [1812LS-104XJ](#) [1812LS-105XJ](#) [1812LS-124XJ](#) [1812LS-154XJ](#) [1812LS-223XJ](#)  
[1812LS-224XJ](#) [1812LS-563XJ](#) [1812LS-683XJ](#) [1812LS-824XJ](#) [NIN-FB101JTR110F](#) [NIN-FB471JTR62F](#) [NIN-FC1R5JTR220F](#) [NIN-](#)  
[HCR15JTRF](#) [NIN-HCR33JTRF](#) [NIN-HDR22JTRF](#) [NIN-HDR82JTRF](#) [NIN-HK2N7STRF](#) [NIN-PA150KTR370F](#) [NIN-PB100KTR550F](#)