



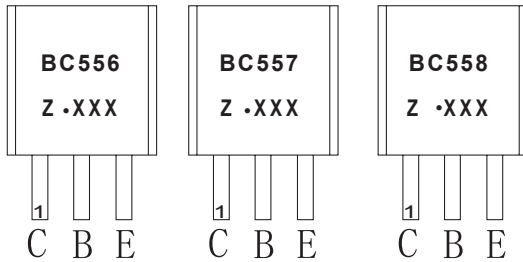
TO-92 Plastic-Encapsulate Transistors

BC556 / BC557 / BC558 TRANSISTOR (PNP)

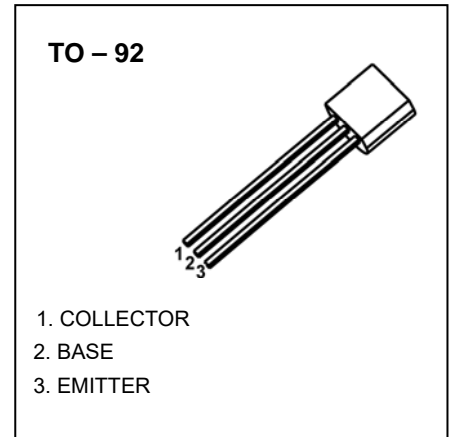
FEATURES

- High Voltage
- Complement to BC546,BC547,BC548

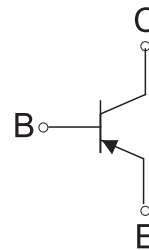
MARKING



BC556,BC557,BC558=Device code
 Solid dot=Green molding compound device,
 if none,the normal device
 Z=Rank of h_{FE}
 XXX=Code



Equivalent Circuit



ORDERING INFORMATION

Part Number	Package	Packing Method	Pack Quantity
BC556	TO-92	Bulk	1000pcs/Bag
BC556-TA	TO-92	Tape	2000pcs/Box
BC557	TO-92	Bulk	1000pcs/Bag
BC557-TA	TO-92	Tape	2000pcs/Box
BC558	TO-92	Bulk	1000pcs/Bag
BC558-TA	TO-92	Tape	2000pcs/Box

MAXIMUM RATINGS ($T_a=25^\circ\text{C}$ unless otherwise noted)

Symbol	Parameter	Value	Unit
V_{CBO}	Collector-Base Voltage	BC556	-80
		BC557	-50
		BC558	-30
V_{CEO}	Collector-Emitter Voltage	BC556	-65
		BC557	-45
		BC558	-30
V_{EBO}	Emitter-Base Voltage	-5	V
I_C	Collector Current-Continuous	-0.1	A
P_C	Collector Power Dissipation	625	mW
$R_{\theta JA}$	Thermal Resistance from Junction to Ambient	200	$^\circ\text{C}/\text{W}$
T_J, T_{stg}	Operation Junction and Storage Temperature Range	-55~+150	$^\circ\text{C}$

ELECTRICAL CHARACTERISTICS

$T_a=25^\circ\text{C}$ unless otherwise specified

Parameter		Symbol	Test conditions	Min	Typ	Max	Unit
Collector-base breakdown voltage	BC556	$V_{(BR)CBO}$	$I_C = -0.1\text{mA}, I_E = 0$	-80			V
	BC557			-50			
	BC558			-30			
Collector-emitter breakdown voltage	BC556	$V_{(BR)CEO}$	$I_C = -2\text{mA}, I_B = 0$	-65			V
	BC557			-45			
	BC558			-30			
Emitter-base breakdown voltage		$V_{(BR)EBO}$	$I_E = -100\mu\text{A}, I_C = 0$	-5			V
Collector cut-off current	BC556	I_{CBO}	$V_{CB} = -70\text{V}, I_E = 0$			-0.1	μA
	BC557		$V_{CB} = -45\text{V}, I_E = 0$			-0.1	μA
	BC558		$V_{CB} = -25\text{V}, I_E = 0$			-0.1	μA
Collector cut-off current	BC556	I_{CEO}	$V_{CE} = -60\text{V}, I_B = 0$			-0.1	μA
	BC557		$V_{CE} = -40\text{V}, I_B = 0$			-0.1	μA
	BC558		$V_{CE} = -25\text{V}, I_B = 0$			-0.1	μA
Emitter cut-off current		I_{EBO}	$V_{EB} = -5\text{V}, I_C = 0$			-0.1	μA
DC current gain		h_{FE}^*	$V_{CE} = -5\text{V}, I_C = -2\text{mA}$	120		800	
Collector-emitter saturation voltage		$V_{CE(sat)}$	$I_C = -10\text{mA}, I_B = -0.5\text{mA}$			-0.3	V
			$I_C = -100\text{mA}, I_B = -5\text{mA}$			-0.65	V
Base-emitter saturation voltage		$V_{BE(sat)}$	$I_C = -10\text{mA}, I_B = -0.5\text{mA}$			-0.8	V
			$I_C = -100\text{mA}, I_B = -5\text{mA}$			-1	V
Base-emitter voltage		V_{BE}	$V_{CE} = -5\text{V}, I_C = -2\text{mA}$	-0.55		-0.7	V
			$V_{CE} = -5\text{V}, I_C = -10\text{mA}$			-0.82	V
Collector output capacitance		C_{ob}	$V_{CB} = -10\text{V}, I_E = 0, f = 1\text{MHz}$			6	pF
Transition frequency	BC556	f_T	$V_{CE} = -5\text{V}, I_C = -10\text{mA}, f = 100\text{MHz}$		150		MHz
	BC557				150		MHz
	BC558				150		MHz

CLASSIFICATION of h_{FE}

RANK	A	B	C
RANGE	120-220	180-460	420-800

TO-92 Package Outline Dimensions



Symbol	Dimensions In Millimeters		Dimensions In Inches	
	Min	Max	Min	Max
A	3.300	3.700	0.130	0.146
A1	1.100	1.400	0.043	0.055
b	0.380	0.550	0.015	0.022
c	0.360	0.510	0.014	0.020
D	4.300	4.700	0.169	0.185
D1	3.430		0.135	
E	4.300	4.700	0.169	0.185
e	1.270 TYP		0.050 TYP	
e1	2.440	2.640	0.096	0.104
L	14.100	14.500	0.555	0.571
Φ		1.600		0.063
h	0.000	0.380	0.000	0.015

TO-92 Suggested Pad Layout



Note:

1. Controlling dimension: in millimeters.
2. General tolerance: $\pm 0.05\text{mm}$.
3. The pad layout is for reference purposes only.

NOTICE

JSCJ reserves the right to make modifications, enhancements, improvements, corrections or other changes without further notice to any product herein. JSCJ does not assume any liability arising out of the application or use of any product described herein.

TO-92 PACKAGE TAPING DIMENSION



Dimensions are in millimeter								
A1	A	T	P	P0	P2	F1	F2	W
4.5	4.5	3.5	12.7	12.7	6.35	2.5	2.5	18.0
W0	W1	W2	H	H0	D0	t1	t2	ΔP
6.0	9.0	1.0 MAX.	19.0	16.0	4.0	0.4	0.2	0



Package	Box	Box Size(mm)	Carton	Carton Size(mm)
TO-92	2000 pcs	333×162×43	20,000 pcs	350×340×250

X-ON Electronics

Largest Supplier of Electrical and Electronic Components

Click to view similar products for [Bipolar Transistors - BJT category:](#)

Click to view products by [Changjing Electronics Technology manufacturer:](#)

Other Similar products are found below :

[BC559C](#) [MCH4017-TL-H](#) [MMBT-2369-TR](#) [BC546/116](#) [NJVMJD148T4G](#) [NTE16](#) [NTE195A](#) [IMX9T110](#) [2N4401-A](#) [2N4403](#) [2N6728](#)
[2SA1419T-TD-H](#) [2SA2126-E](#) [2SB1204S-TL-E](#) [FMC5AT148](#) [2N2369ADCSM](#) [2N2907A](#) [2N3904-NS](#) [2N5769](#) [2SC4618TLN](#) [CPH6501-](#)
[TL-E](#) [MCH4021-TL-E](#) [Jantx2N5416](#) [US6T6TR](#) [BAX18/A52R](#) [BC556/112](#) [IMZ2AT108](#) [MMST8098T146](#) [UMX21NTR](#) [MCH6102-TL-E](#)
[TTA1452B,S4X\(S](#) [2N3879](#) [NTE13](#) [NTE282](#) [NTE323](#) [NTE350](#) [NTE81](#) [JANTX2N2920L](#) [JANTX2N3735](#) [JANSR2N2222AUB](#)
[CMLT3946EG TR](#) [SNSS40600CF8T1G](#) [CMLT3906EG TR](#) [GRP-DATA-JANS2N2907AUB](#) [GRP-DATA-JANS2N2222AUA](#)
[MMDT3946FL3-7](#) [2N4240](#) [JANS2N3019](#) [MSB30KH-13](#) [2N2221AUB](#)