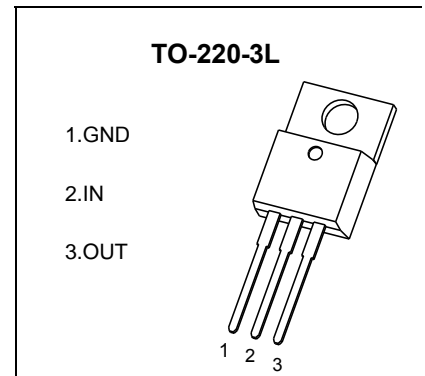


**TO-220-3L Plastic-Encapsulate Voltage Regulator**

**CJ7906** Three-terminal negative voltage regulator

**FEATURES**

- Maximum output current  
 $I_{OM}: 1.5\text{ A}$
- Output voltage  
 $V_O: -6\text{ V}$
- Continuous total dissipation  
 $P_D: 1.5\text{ W}$  ( $T_a = 25\text{ }^\circ\text{C}$ )



**ABSOLUTE MAXIMUM RATINGS (Operating temperature range applies unless otherwise specified)**

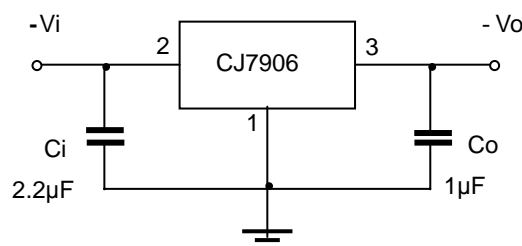
Parameter	Symbol	Value	Unit
Input Voltage	$V_i$	-35	V
Thermal Resistance from Junction to Air	$R_{\theta JA}$	83.3	$^\circ\text{C/W}$
Operating Junction Temperature Range	$T_{OPR}$	-40~+125	$^\circ\text{C}$
Storage Temperature Range	$T_{STG}$	-65~+150	$^\circ\text{C}$

**ELECTRICAL CHARACTERISTICS AT SPECIFIED VIRTUAL JUNCTION TEMPERATURE ( $V_i = -11\text{ V}$ ,  $I_o = 500\text{ mA}$ ,  $C_i = 2.2\text{ }\mu\text{F}$ ,  $C_o = 1\text{ }\mu\text{F}$ , unless otherwise specified)**

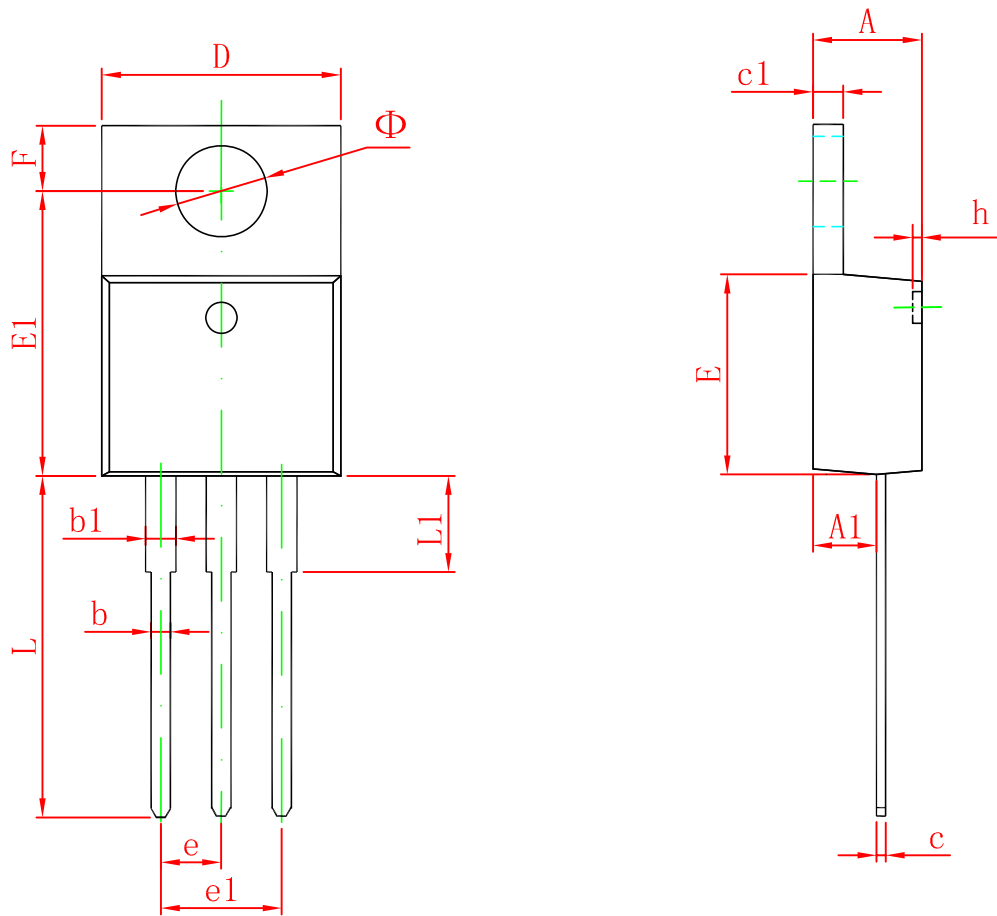
Parameter	Symbol	Test conditions	Min	Typ	Max	Unit
Output Voltage	$V_o$	$T_J = 25\text{ }^\circ\text{C}$	-5.82	-6	-6.18	V
		$-8\text{ V} \leq V_i \leq -21\text{ V}$ , $I_o = 5\text{ mA} - 1\text{ A}$	-5.7	-6	-6.3	V
Load Regulation	$\Delta V_o$	$I_o = 5\text{ mA} - 1.5\text{ A}$ , $T_J = 25\text{ }^\circ\text{C}$		15	120	mV
		$I_o = 250\text{ mA} - 750\text{ mA}$ , $T_J = 25\text{ }^\circ\text{C}$		5	60	mV
Line Regulation	$\Delta V_o$	$-8\text{ V} \leq V_i \leq -25\text{ V}$ , $T_J = 25\text{ }^\circ\text{C}$		12.5	120	mV
		$-9\text{ V} \leq V_i \leq -13\text{ V}$ , $T_J = 25\text{ }^\circ\text{C}$		4	60	mV
Quiescent Current	$I_q$	$T_J = 25\text{ }^\circ\text{C}$		1.5	2	mA
Quiescent Current Change	$\Delta I_q$	$-8\text{ V} \leq V_i \leq -25\text{ V}$			1.3	mA
	$\Delta I_q$	$5\text{ mA} \leq I_o \leq 1\text{ A}$			0.5	mA
Output Noise Voltage	$V_N$	$10\text{ Hz} \leq f \leq 100\text{ kHz}$ , $T_J = 25\text{ }^\circ\text{C}$		150		$\mu\text{V}/V_o$
Output Voltage Drift	$\Delta V_o/\Delta T$	$I_o = 5\text{ mA}$		-0.4		$\text{mV}/^\circ\text{C}$
Ripple Rejection	RR	$-9\text{ V} \leq V_i \leq -19\text{ V}$ , $f = 120\text{ Hz}$	54	60		dB
Dropout Voltage	$V_d$	$I_o = 1\text{ A}$ , $T_J = 25\text{ }^\circ\text{C}$		1.1		V
Peak Current	$I_{pk}$	$T_J = 25\text{ }^\circ\text{C}$		2.1		A

\* Pulse test.

**TYPICAL APPLICATION**



# TO-220-3L Package Outline Dimensions



Symbol	Dimensions In Millimeters		Dimensions In Inches	
	Min	Max	Min	Max
A	4.470	4.670	0.176	0.184
A1	2.520	2.820	0.099	0.111
b	0.710	0.910	0.028	0.036
b1	1.170	1.370	0.046	0.054
c	0.310	0.530	0.012	0.021
c1	1.170	1.370	0.046	0.054
D	10.010	10.310	0.394	0.406
E	8.500	8.900	0.335	0.350
E1	12.060	12.460	0.475	0.491
e	2.540 TYP		0.100 TYP	
e1	4.980	5.180	0.196	0.204
F	2.590	2.890	0.102	0.114
h	0.000	0.300	0.000	0.012
L	13.400	13.800	0.528	0.543
L1	3.560	3.960	0.140	0.156
$\Phi$	3.735	3.935	0.147	0.155

# DISCLAIMER

## **IMPORTANT NOTICE, PLEASE READ CAREFULLY**

The information in this data sheet is intended to describe the operation and characteristics of our products. JSCJ has the right to make any modification, enhancement, improvement, correction or other changes to any content in this data sheet, including but not limited to specification parameters, circuit design and application information, without prior notice.

Any person who purchases or uses JSCJ products for design shall: 1. Select products suitable for circuit application and design; 2. Design, verify and test the rationality of circuit design; 3. Procedures to ensure that the design complies with relevant laws and regulations and the requirements of such laws and regulations. JSCJ makes no warranty or representation as to the accuracy or completeness of the information contained in this data sheet and assumes no responsibility for the application or use of any of the products described in this data sheet.

Without the written consent of JSCJ, this product shall not be used in occasions requiring high quality or high reliability, including but not limited to the following occasions: medical equipment, automotive electronics, military facilities and aerospace. JSCJ shall not be responsible for casualties or property losses caused by abnormal use or application of this product.

Official Website: [www.jscj-elec.com](http://www.jscj-elec.com)

Copyright © JIANGSU CHANGJING ELECTRONICS TECHNOLOGY CO., LTD.

## X-ON Electronics

Largest Supplier of Electrical and Electronic Components

*Click to view similar products for [Linear Voltage Regulators](#) category:*

*Click to view products by [Changjing Electronics Technology](#) manufacturer:*

Other Similar products are found below :

[LV56831P-E](#) [LV5684PVD-XH](#) [MCDTSA6-2R](#) [L7815ACV-DG](#) [PQ3DZ53U](#) [LV56801P-E](#) [TLE42794G](#) [L78L05CZ/1SX](#) [L78LR05DL-MA-E](#) [636416C](#) [714954EB](#) [BA033LBSG2-TR](#) [LV5680P-E](#) [L78M15CV-DG](#) [L79M05T-E](#) [TLS202A1MBVHTSA1](#) [L78LR05D-MA-E](#) [NCV317MBTG](#) [NTE7227](#) [LV5680NPVC-XH](#) [LT1054CN8](#) [MP2018GZD-5-Z](#) [MP2018GZD-33-Z](#) [MIC5281-3.3YMM](#) [MC78L06BP-AP](#) [TA48LS05F\(TE85L,F\)](#) [TA78L12F\(TE12L,F\)](#) [TC47BR5003ECT](#) [TCR2LN12,LF\(S](#) [TCR2LN28,LF\(S](#) [TCR2LN30,LF\(S](#) [TCR3DF295,LM\(CT](#) [TCR3DF40,LM\(CT](#) [BA178M20CP-E2](#) [L78M12ABDT](#) [LM7812SX/NOPB](#) [LR645N3-G-P003](#) [LR645N3-G-P013](#) [ZXTR2005P5-13](#) [SCD7812BTG](#) [TCR3DF335,LM\(CT](#) [ZXTR2012K-13](#) [TLE42994E V33](#) [ZXTR2008K-13](#) [ZXTR2005K-13](#) [L88R05DL-E](#) [ADP3300ARTZ-2.7RL7](#) [LM120K-15/883](#) [IFX54441LDVXUMA1](#) [LM317D2T-TR](#)