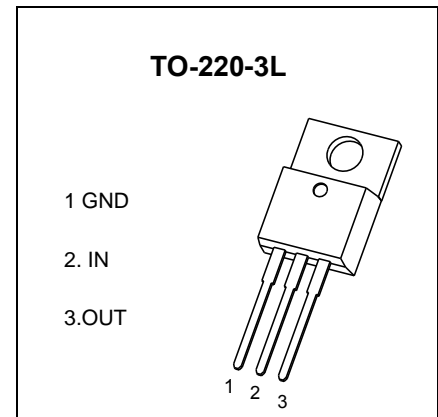


TO-220-3L Plastic-Encapsulate Voltage Regulator

CJ7909 Three-terminal negative voltage regulator

FEATURES

- Maximum output current
 $I_{OM}: 1.5\text{ A}$
- Output voltage
 $V_O: -9\text{ V}$
- Continuous total dissipation
 $P_D: 1.5\text{ W}$ ($T_a = 25\text{ }^\circ\text{C}$)



ABSOLUTE MAXIMUM RATINGS (Operating temperature range applies unless otherwise specified)

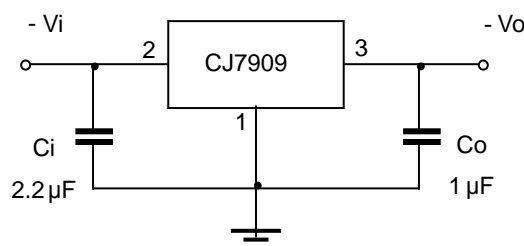
Parameter	Symbol	Value	Unit
Input Voltage	V_i	-35	V
Thermal Resistance from Junction to Air	$R_{\theta JA}$	83.3	$^\circ\text{C/W}$
Operating Junction Temperature Range	T_{OPR}	-40~+125	$^\circ\text{C}$
Storage Temperature Range	T_{STG}	-65~+150	$^\circ\text{C}$

ELECTRICAL CHARACTERISTICS AT SPECIFIED VIRTUAL JUNCTION TEMPERATURE ($V_i = -15\text{ V}, I_o = 500\text{ mA}, C_i = 2.2\text{ }\mu\text{F}, C_o = 1\text{ }\mu\text{F}$, unless otherwise specified)

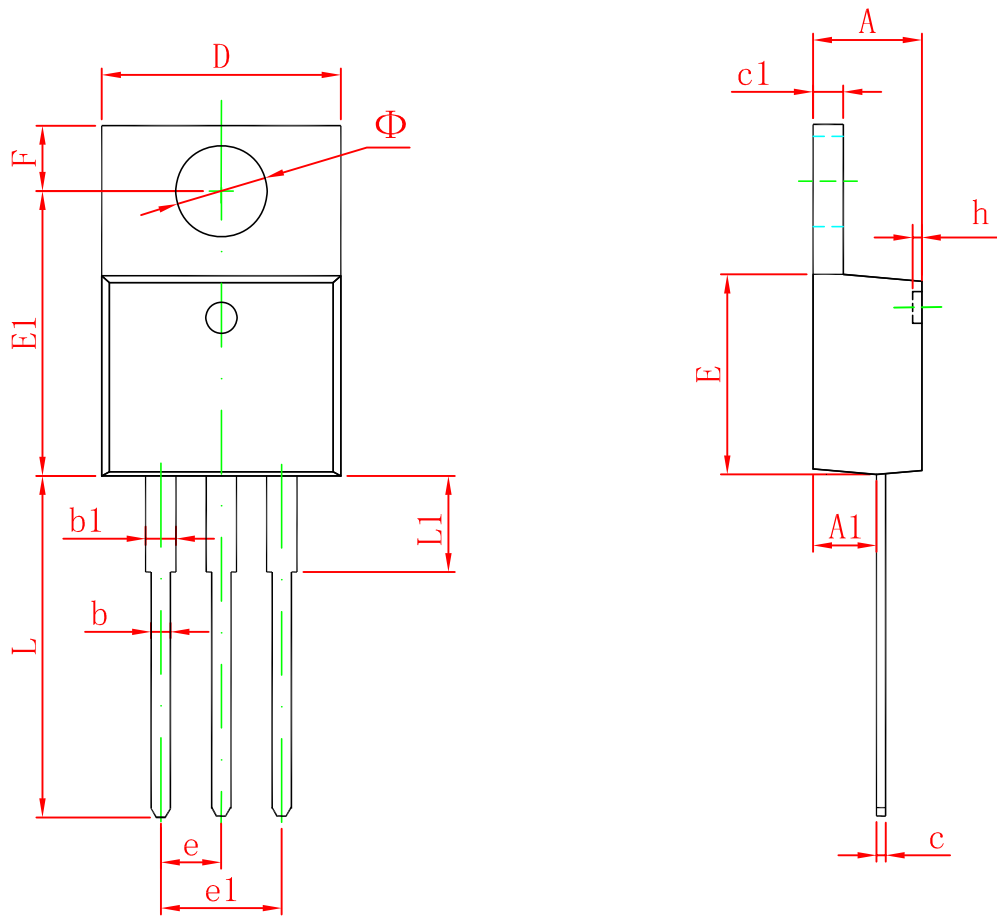
Parameter	Symbol	Test conditions	Min	Typ	Max	Unit
Output Voltage	V_o	$T_J = 25\text{ }^\circ\text{C}$	-8.73	-9	-9.27	V
		$-11.5\text{ V} \leq V_i \leq -24\text{ V}, I_o = 5\text{ mA} - 1\text{ A}$	-8.55	-9	-9.45	V
Load Regulation	ΔV_o	$I_o = 5\text{ mA} - 1.5\text{ A}, T_J = 25\text{ }^\circ\text{C}$			180	mV
		$I_o = 250\text{ mA} - 750\text{ mA}, T_J = 25\text{ }^\circ\text{C}$			80	mV
Line Regulation	ΔV_o	$-11.5\text{ V} \leq V_i \leq -26\text{ V}, T_J = 25\text{ }^\circ\text{C}$			140	mV
		$-13\text{ V} \leq V_i \leq -19\text{ V}, T_J = 25\text{ }^\circ\text{C}$			70	mV
Quiescent Current	I_q	$T_J = 25\text{ }^\circ\text{C}$		1.6	2.6	mA
Quiescent Current Change	ΔI_q	$-11.5\text{ V} \leq V_i \leq -26\text{ V}$			1	mA
	ΔI_q	$5\text{ mA} \leq I_o \leq 1\text{ A}$			0.5	mA
Ripple Rejection	RR	$-11.5\text{ V} \leq V_i \leq -21.5\text{ V}, f = 120\text{ Hz}$	54	60		dB
Dropout Voltage	V_d	$I_o = 1\text{ A}, T_J = 25\text{ }^\circ\text{C}$		1.1		V
Peak Current	I_{pk}	$T_J = 25\text{ }^\circ\text{C}$		2.1		A

* Pulse test.

TYPICAL APPLICATION



TO-220-3L Package Outline Dimensions



Symbol	Dimensions In Millimeters		Dimensions In Inches	
	Min	Max	Min	Max
A	4.470	4.670	0.176	0.184
A1	2.520	2.820	0.099	0.111
b	0.710	0.910	0.028	0.036
b1	1.170	1.370	0.046	0.054
c	0.310	0.530	0.012	0.021
c1	1.170	1.370	0.046	0.054
D	10.010	10.310	0.394	0.406
E	8.500	8.900	0.335	0.350
E1	12.060	12.460	0.475	0.491
e	2.540 TYP		0.100 TYP	
e1	4.980	5.180	0.196	0.204
F	2.590	2.890	0.102	0.114
h	0.000	0.300	0.000	0.012
L	13.400	13.800	0.528	0.543
L1	3.560	3.960	0.140	0.156
Φ	3.735	3.935	0.147	0.155

DISCLAIMER

IMPORTANT NOTICE, PLEASE READ CAREFULLY

The information in this data sheet is intended to describe the operation and characteristics of our products. JSCJ has the right to make any modification, enhancement, improvement, correction or other changes to any content in this data sheet, including but not limited to specification parameters, circuit design and application information, without prior notice.

Any person who purchases or uses JSCJ products for design shall: 1. Select products suitable for circuit application and design; 2. Design, verify and test the rationality of circuit design; 3. Procedures to ensure that the design complies with relevant laws and regulations and the requirements of such laws and regulations. JSCJ makes no warranty or representation as to the accuracy or completeness of the information contained in this data sheet and assumes no responsibility for the application or use of any of the products described in this data sheet.

Without the written consent of JSCJ, this product shall not be used in occasions requiring high quality or high reliability, including but not limited to the following occasions: medical equipment, automotive electronics, military facilities and aerospace. JSCJ shall not be responsible for casualties or property losses caused by abnormal use or application of this product.

Official Website: www.jscj-elec.com

Copyright © JIANGSU CHANGJING ELECTRONICS TECHNOLOGY CO., LTD.

X-ON Electronics

Largest Supplier of Electrical and Electronic Components

Click to view similar products for [Linear Voltage Regulators](#) category:

Click to view products by [Changjing Electronics Technology](#) manufacturer:

Other Similar products are found below :

[LV5684PVD-XH](#) [MCDTSA6-2R](#) [L7815ACV-DG](#) [714954EB](#) [ZMR500QFTA](#) [BA033LBSG2-TR](#) [LV5680P-E](#) [L79M05T-E](#) [L78LR05D-MA-E](#) [NCV317MBTG](#) [NTE7227](#) [MP2018GZD-33-P](#) [MP2018GZD-5-P](#) [LV5680NPVC-XH](#) [LT1054CN8](#) [ZTS6538SE](#) [UA78L09CLP](#) [UA78L09CLPR](#) [CAT6221-PPTD-GT3](#) [MC78M09CDTRK](#) [NCV51190MNTAG](#) [78M05](#) [HT7150-1](#) [UM1540DB-18](#) [XC6234H281VR-G](#) [WL2834CA-6/TR](#) [TPL730F33-5TR](#) [TLS850F1TA](#) [V50](#) [TPS549B22RVFR](#) [UM1540DB-33](#) [WL9200P3-50B](#) [WL9100P3-33B](#) [WL9005D4-33](#) [XC6219B152MR](#) [WL2855K33-3/TR](#) [PJ54BM33SE](#) [PJ9500M25SA](#) [MD7218E33PC1](#) [H7533-2PR](#) [SK7812AU](#) [SD1A30](#) [78L33](#) [TP78L33T3](#) [L78L33ACUTR](#) [SK6513ST3A-50](#) [SK6054D4-09](#) [SK6054D4-18](#) [SK6054D4-11](#) [SK6054D4-10](#) [LM79L12F](#)