



DFNWB1.0X0.6-02L Plastic-Encapsulate Diodes

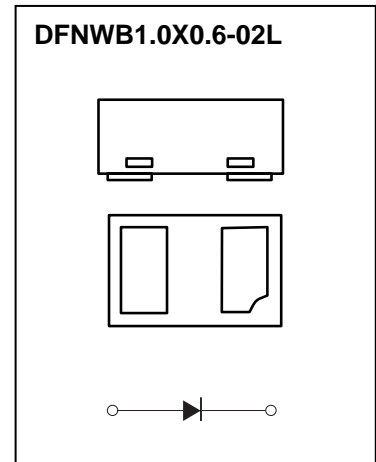
DS520-30A1 Schottky barrier Diode

Feature

- Small surface mounting type
- Low reverse current and low forward voltage
- High reliability

Application

- High speed switch for detection
- For portable equipment:(Mobile phone, MP3, MD, CD-ROM, DVD-ROM, Note book PC, etc.)



MARKING:



Front Side

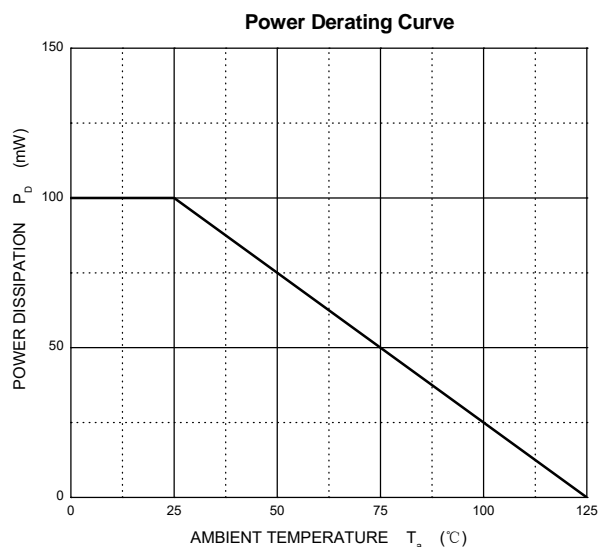
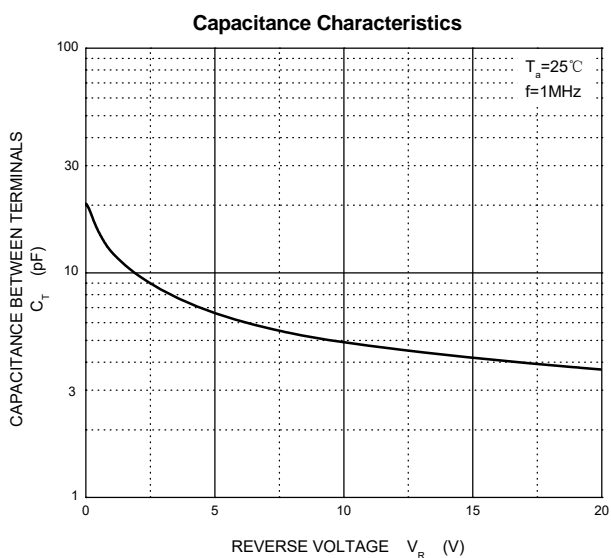
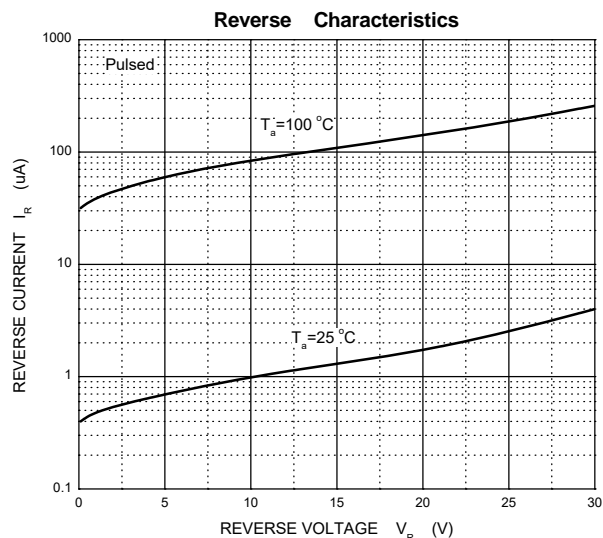
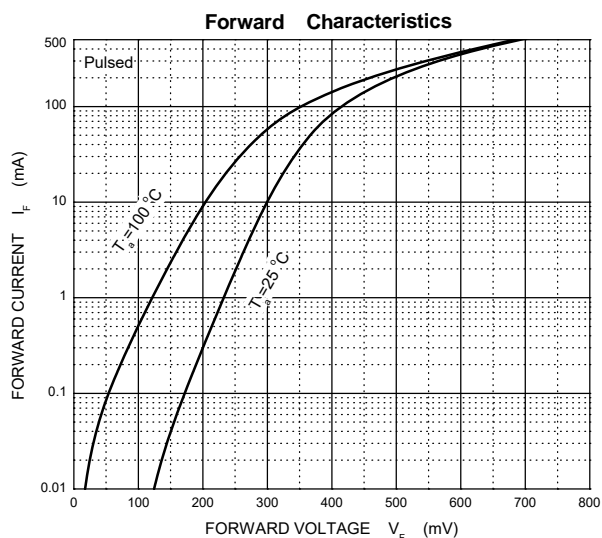
ABSOLUTE MAXIMUM RATINGS ($T_a=25^\circ\text{C}$ unless otherwise noted)

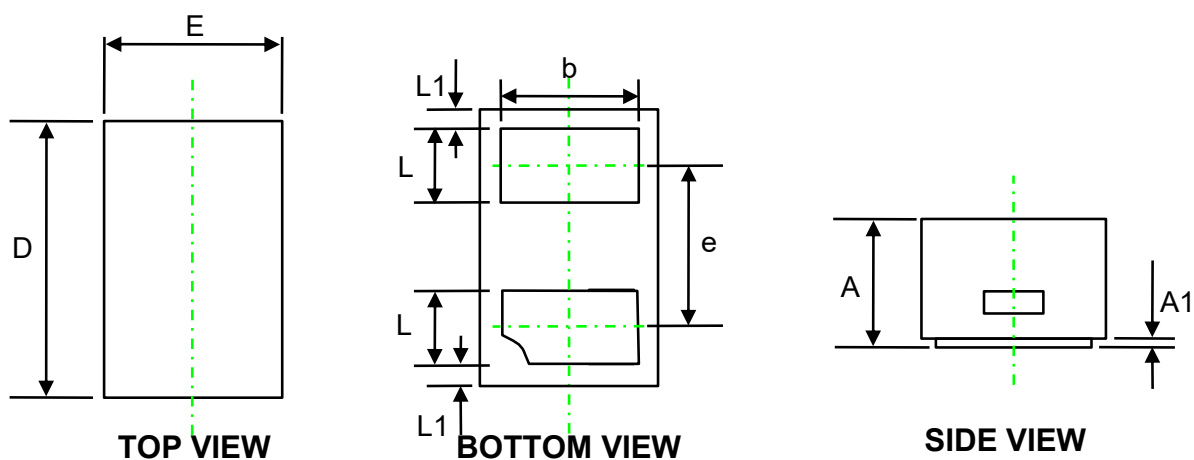
| Parameter | Symbol | Value | Unit |
|--|-----------------|------------|---------------------------|
| DC reverse voltage | V_R | 30 | V |
| RMS reverse Voltage | $V_{R(RMS)}$ | 21 | V |
| Mean rectifying current | I_O | 0.2 | A |
| Non-repetitive Peak Forward Surge Current @ $t=8.3\text{ms}$ | I_{FSM} | 0.5 | A |
| Power Dissipation | P_D | 100 | mW |
| Thermal Resistance from Junction to Ambient | $R_{\theta JA}$ | 1000 | $^\circ\text{C}/\text{W}$ |
| Operating Junction Temperature Range | T_J | -40 ~ +125 | $^\circ\text{C}$ |
| Storage Temperature Range | T_{STG} | -55 ~ +150 | $^\circ\text{C}$ |

ELECTRICAL CHARACTERISTICS ($T_a=25^\circ\text{C}$ unless otherwise noted)

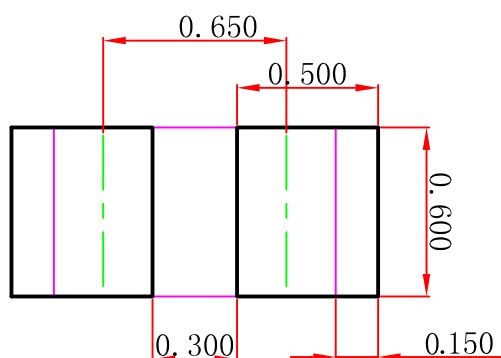
| Parameter | Symbol | Test Condition | Min | Type | Max | Unit |
|-----------------|----------|------------------------|-----|------|------|---------------|
| Reverse voltage | V_{BR} | $I_R = 100\mu\text{A}$ | 30 | | | V |
| Forward voltage | V_F | $I_F = 10\text{mA}$ | | | 0.45 | V |
| | | $I_F = 200\text{mA}$ | | | 0.6 | V |
| Reverse current | I_R | $V_R = 10\text{V}$ | | | 1 | μA |

Typical Characteristics



PACKAGE OUTLINE AND PAD LAYOUT INFORMATION
DFNWB1.0×0.6-02L-E Package Outline Dimensions


| Symbol | Dimensions In Millimeters (mm) | | |
|--------|--------------------------------|------|------|
| | Min. | Typ. | Max. |
| A | 0.44 | 0.47 | 0.50 |
| A1 | 0.00 | 0.03 | 0.05 |
| D | 0.95 | 1.00 | 1.08 |
| E | 0.55 | 0.60 | 0.68 |
| b | 0.40 | 0.50 | 0.60 |
| e | - | 0.65 | - |
| L | 0.20 | 0.25 | 0.30 |
| L1 | 0.05 REF. | | |

DFNWB1.0×0.6-02L-E Suggested Pad Layout

Note:

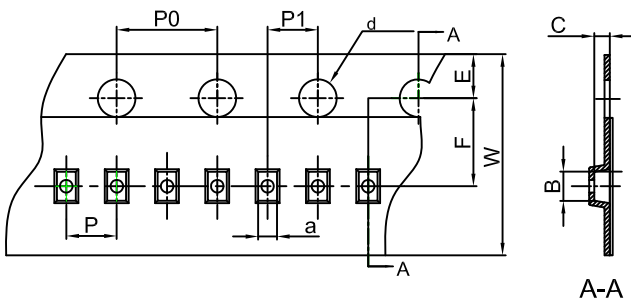
1. Controlling dimension: in millimeters.
2. General tolerance: ± 0.050 mm.
3. The pad layout is for reference purposes only.

NOTICE

JSCJ reserves the right to make modifications, enhancements, improvements, corrections or other changes without further notice to any product herein. JSCJ does not assume any liability arising out of the application or use of any product described herein.

TAPE AND REEL INFORMATION

DFN/FBP(1.0×0.6×0.5) Embossed Carrier Tape

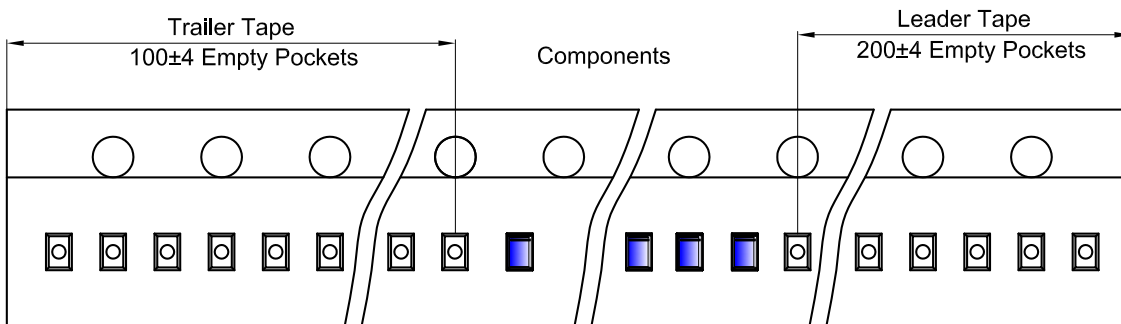


Packaging Description:

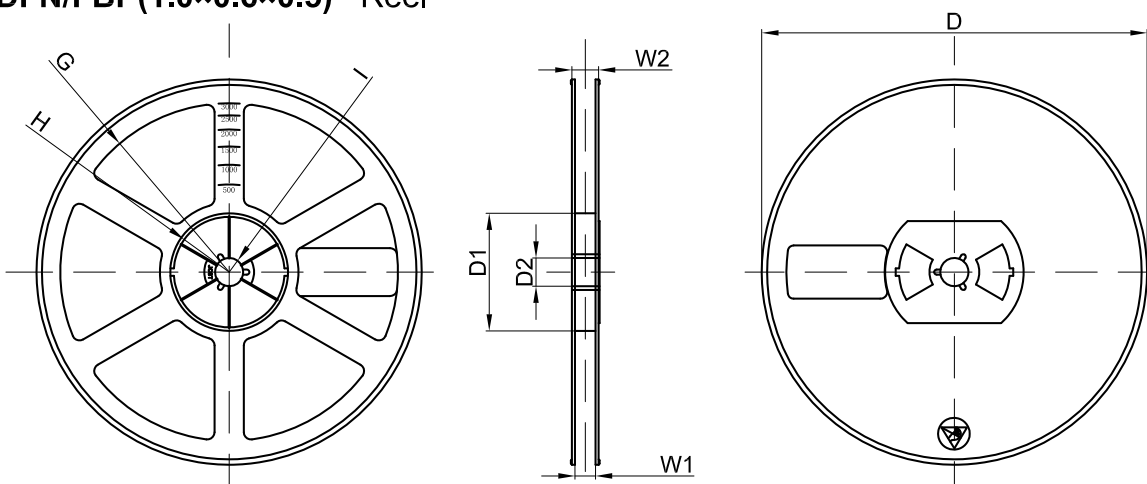
DFN/FBP(1.0×0.6×0.5) parts are shipped in tape. The carrier tape is made from a dissipative (carbon filled) polycarbonate resin. The cover tape is a multilayer film (Heat Activated Adhesive in nature) primarily composed of polyester film, adhesive layer, sealant, and anti-static sprayed agent. These reeled parts in standard option are shipped with 10,000 units per 7" or 17.8cm diameter reel. The reels are clear in color and is made of polystyrene plastic (anti-static coated).

| Dimensions are in millimeter | | | | | | | | | | |
|------------------------------|------|------|------|-------|------|------|------|------|------|------|
| Pkg type | a | B | C | d | E | F | P0 | P | P1 | W |
| DFN/FBP(1.0×0.6×0.5) | 0.66 | 1.15 | 0.66 | Ø1.50 | 1.75 | 3.50 | 4.00 | 2.00 | 2.00 | 8.00 |

DFN/FBP(1.0×0.6×0.5) Tape Leader and Trailer



DFN/FBP(1.0×0.6×0.5) Reel



| Dimensions are in millimeter | | | | | | | | |
|------------------------------|---------|-------|-------|--------|--------|-------|------|-------|
| Reel Option | D | D1 | D2 | G | H | I | W1 | W2 |
| 7" Dia | Ø178.00 | 54.40 | 13.00 | R78.00 | R25.60 | R6.50 | 9.50 | 12.30 |

| REEL | Reel Size | Box | Box Size(mm) | Carton | Carton Size(mm) | G.W.(kg) |
|-----------|-----------|-------------|--------------|-------------|-----------------|----------|
| 10000 pcs | 7 inch | 150,000 pcs | 203×203×195 | 600,000 pcs | 438×438×220 | |

X-ON Electronics

Largest Supplier of Electrical and Electronic Components

Click to view similar products for [Schottky Diodes & Rectifiers](#) category:

Click to view products by [Changjing Electronics Technology](#) manufacturer:

Other Similar products are found below :

[MA4E2039](#) [MMBD301M3T5G](#) [RB160M-50TR](#) [D83C](#) [BAS16E6433HTMA1](#) [BAS 3010S-02LRH E6327](#) [BAT 54-02LRH E6327](#)
[NRVBAF360T3G](#) [NSR05F40QNXT5G](#) [NTE555](#) [JANS1N6640](#) [SS3003CH-TL-E](#) [GA01SHT18](#) [CRS10I30A\(TE85L,QM](#) [MBRA140TRPBF](#)
[MBRB30H30CT-1G](#) [BAT 15-04R E6152](#) [JANTX1N5712-1](#) [DMJ3940-000](#) [SB007-03C-TB-E](#) [NRVBB20100CTT4G](#) [NRVBM120LT1G](#)
[NTSB30U100CT-1G](#) [CRG04\(T5L,TEMQ\)](#) [ACDBA1100LR-HF](#) [ACDBA1200-HF](#) [ACDBA240-HF](#) [ACDBA3100-HF](#) [CDBQC0530L-HF](#)
[ACDBA260LR-HF](#) [ACDBA1100-HF](#) [10BQ015-M3/5BT](#) [NRVBM120ET1G](#) [VSSB410S-M3/5BT](#) [1N5819T-G](#) [PDS1040Q-13](#) [B160BQ-13-F](#)
[SDM05U20CSP-7](#) [BAS 70-07 E6433](#) [B140S1F-7](#) [HSM560Je3/TR13](#) [DDB2265-000](#) [ZHCS506QTA](#) [HSM190Je3/TR13](#) [B330AF-13](#)
[ACDBUC0230-HF](#) [SDM1U100S1F-7](#) [MBR10200CTF-G1](#) [CDLL5712](#) [DMF2822-000](#)