



KBU Plastic-Encapsulate Bridge Rectifier

KBU10005 THRU KBU1010 General Purpose Bridge Rectifier

Features

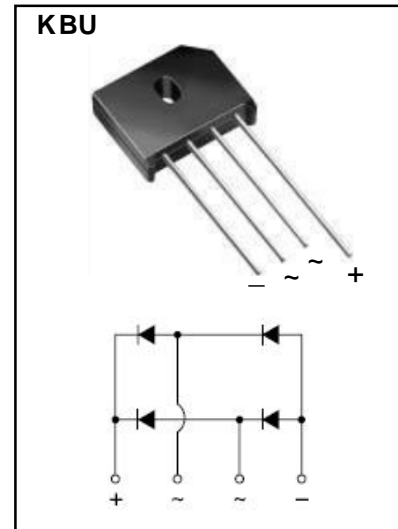
- I_o 10A
- VRRM 50V-1000V
- High surge current capability
- Glass passivated chip

Applications

- General purpose 1 phase Bridge rectifier applications

Marking

- KBU10XX
- XX : From 005 To 10



Limiting Values (Absolute Maximum Rating)

Item	Symbol	Unit	Conditions	KBU10						
				005	01	02	04	06	08	10
Repetitive Peak Reverse Voltage	V _{RRM}	V		50	100	200	400	600	800	1000
Average Rectified Output Current	I _o	A	60Hz sine w ave, R-load T _c =100°C	10						
Surge(Non-repetitive)Forward Current	I _{FSM}	A	60Hz sine wave, 1 cycle, T _j =25°C	240						
Current Squared Time	i ² t	A ² S	1ms≤t<8.3ms T _j =25°C, Rating of per diode	166						
Storage Temperature	T _{stg}	°C		-55 ~+150						
Junction Temperature	T _j	°C		-55 ~+150						

Electrical Characteristics (T_a=25°C Unless otherwise specified)

Item	Symbol	Unit	Test Condition	Max
Peak Forward Voltage	V _{FM}	V	I _{FM} =5.0A, Pulse measurement, Rating of per diode	1.0
Peak Reverse Current	I _{RRM}	μ A	V _{RM} =V _{RRM} , Pulse measurement, Rating of per diode	10
Thermal Resistance	R _{θ J-C}	°C/W	Between junction and case	4.7 ⁽¹⁾

Typical Characteristics

FIG.1-MAXIMUM FORWARD SURGE CURRENT

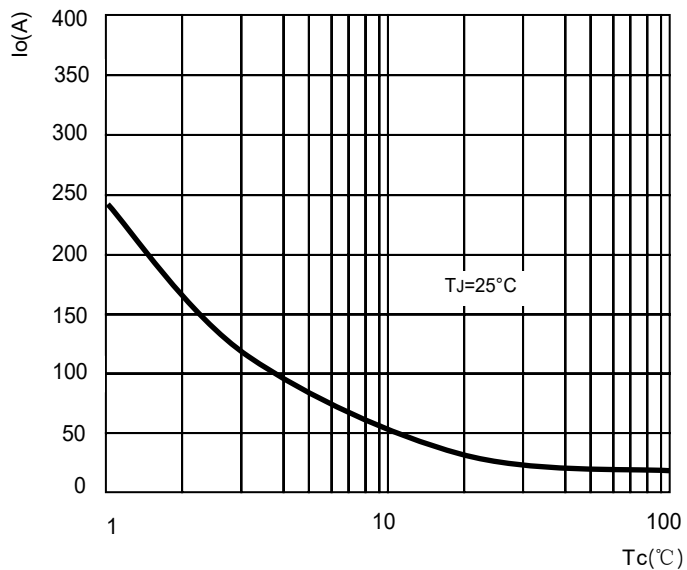


FIG.2-MAXIMUM NON-REPETITIVE SURGE CURRENT

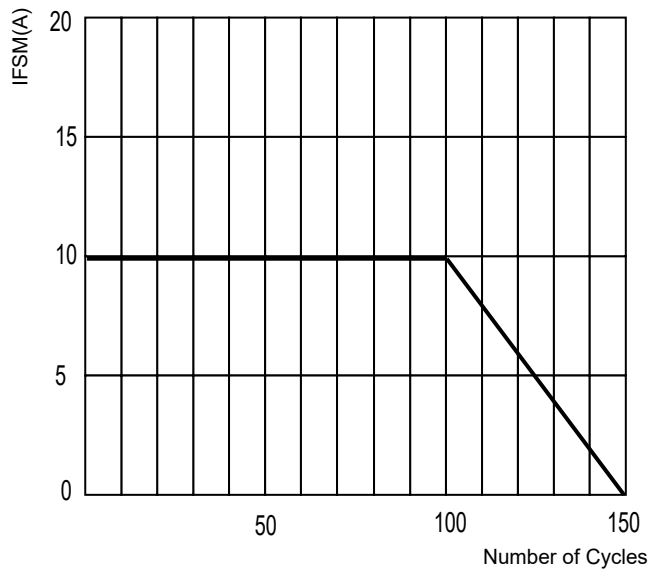


FIG.3-TYPICAL FORWARD CHARACTERISTICS

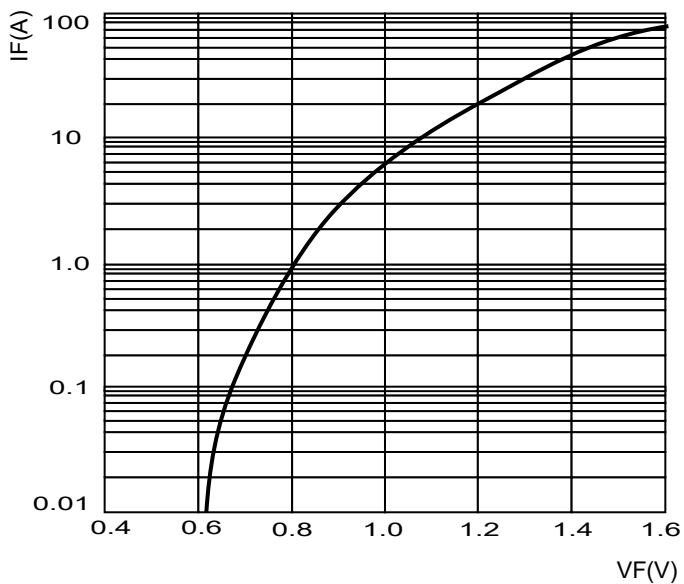
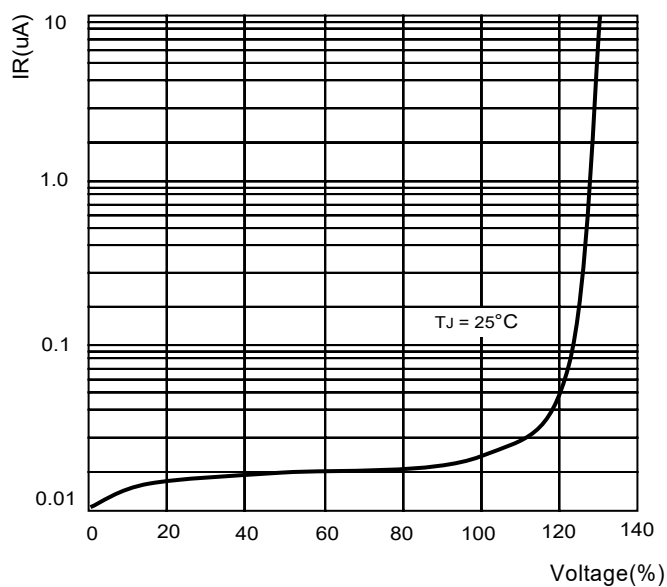
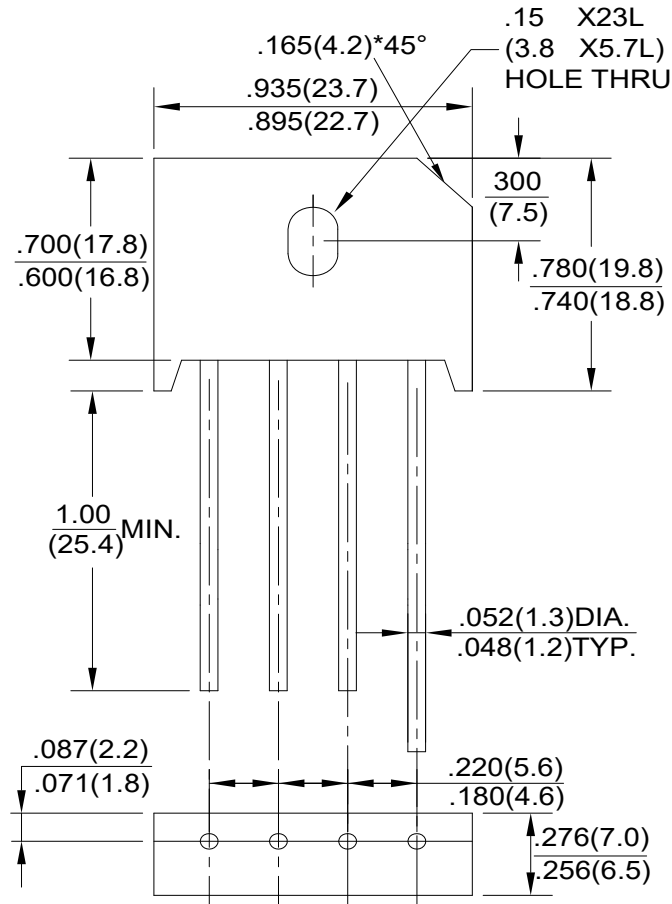


FIG.4-TYPICAL REVERSE CHARACTERISTICS



KBU Package Outline Dimensions



Dimensions in inches and (millimeters)

NOTICE

JSCJ reserves the right to make modifications, enhancements, improvements, corrections or other changes without further notice to any product herein. JSCJ does not assume any liability arising out of the application or use of any product described herein.

X-ON Electronics

Largest Supplier of Electrical and Electronic Components

Click to view similar products for [Bridge Rectifiers](#) category:

Click to view products by [Changjing Electronics Technology](#) manufacturer:

Other Similar products are found below :

[MB252](#) [MB356G](#) [MB358G](#) [GBJ1504-BP](#) [GBU10B-BP](#) [GBU15K-BP](#) [GBU4A-BP](#) [GBU4D-BP](#) [DB101-BP](#) [DF01](#) [DF10SA-E345](#) [KBPC50-10S](#) [RS405GL-BP](#) [GBJ1502-BP](#) [GBU6M](#) [TB102M](#) [MB1510](#) [MB86](#) [TL401G](#) [MDA920A2](#) [TU602](#) [TU810](#) [MP5010W-BP](#) [MP501W-BP](#) [MP502-BP](#) [KBPC25-02](#) [VBO160-12NO7](#) [VS-110MT120KPBF](#) [VS-60MT80KPBF](#) [DB105-BP](#) [DF1510S](#) [VS-40MT160PAPBF](#) [GBU4G-BP](#) [GSIB15A80-E3/45](#) [DB104-BP](#) [D3SB60](#) [TB354](#) [GBJ2504-BP](#) [26MB100A](#) [B1S-G](#) [VS-40MT160KPBF](#) [VUO162-16NO7](#) [ABS10-G](#) [GBU6B-BP](#) [GBJ1508-BP](#) [BR5010-G](#) [ABS6-G](#) [B125C800G-E4/51](#) [MSB15MH-13](#) [LBS10-13](#)