



TO-220-2L Plastic-Encapsulate Diode

MUR10H60 HYPERFAST RECTIFIER,FRED

MAIN CHARACTERISTICS

I_O	10A
V_{RRM}	600V
T_{rr}	24ns
T_j	175°C
V_{F(typ)}	1.06V(@T_j=150°C)

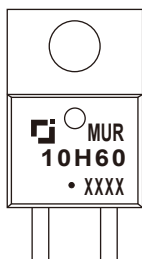
FEATURES

- Ultrafast Recovery Times and Low Recovery Loss
- Low Forward Voltage
- Low Reverse Leakage Current

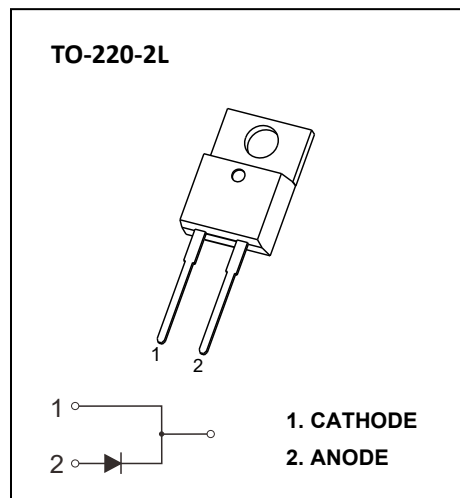
APPLICATIONS

Specifically designed to improve efficiency of PFC and output rectification stages of EV / HEV battery charging stations, booster stage of solar inverters and UPS applications, these devices are perfectly matched to operate with MOSFETs or high speed IGBTs.

MARKING



MUR10H60 = Device code
 Solid dot = Green molding compound device
 if none, the normal device
 XXXX = Code



MAXIMUM RATINGS (T_c=25°C unless otherwise noted)

Symbol	Parameter	MUR10H60	Unit
V_{RRM}	Peak Repetitive Reverse Voltage	600	V
V_R	DC Blocking Voltage		
I_{F(AV)}	Average Forward Current(T _C =130°C)	10	A
I_{F(RMS)}	RMS Forward Current(T _C =130°C)	14	A
I_{FSM}	Non-Repetitive Surge Forward Current (8.3ms)	160	A
P_D	Power dissipation	68	W
R_{θJC}	Thermal Resistance From Junction to Case	2.2	°C/W
T_j	Operating Junction Temperature Range	-55 ~ +175	°C
T_{stg}	Storage Temperature Range	-55 ~ +175	°C

Typical Characteristics

ELECTRICAL CHARACTERISTICS ($T_c=25^\circ\text{C}$ unless otherwise specified)

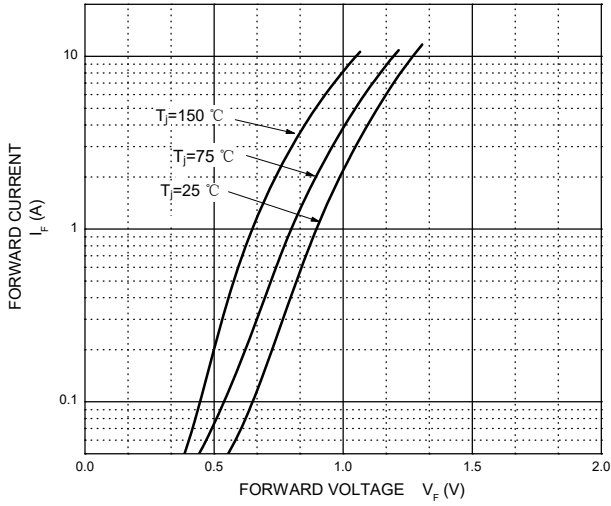
Symbol	Parameter	Test Conditions	Min.	Typ.	Max.	Unit
$V_{(BR)}$	Reverse Voltage	$I_R=100\mu\text{A}$	600			V
I_R	Reverse Current	$V_R=600\text{V}$	$T_j=25^\circ\text{C}$		10	μA
			$T_j=150^\circ\text{C}$		500	μA
V_F	Forward Voltage	$I_F=10\text{A}$	$T_j=25^\circ\text{C}$	1.3	1.6	V
			$T_j=150^\circ\text{C}$	1.06		V
C_{tot}	Total Capacitance	$V_R=200\text{V}, f=1\text{MHz}$		12		pF
trr	Reverse Recovery time	$I_F=0.5\text{A}, I_R=1\text{A}, I_{rr}=0.25\text{A}$		32		ns
		$I_F=1\text{A}, V_R=30\text{V}, di_F/dt=200\text{A}/\mu\text{s}$		24		ns

ELECTRICAL CHARACTERISTICS ($T_c=25^\circ\text{C}$ unless otherwise specified)

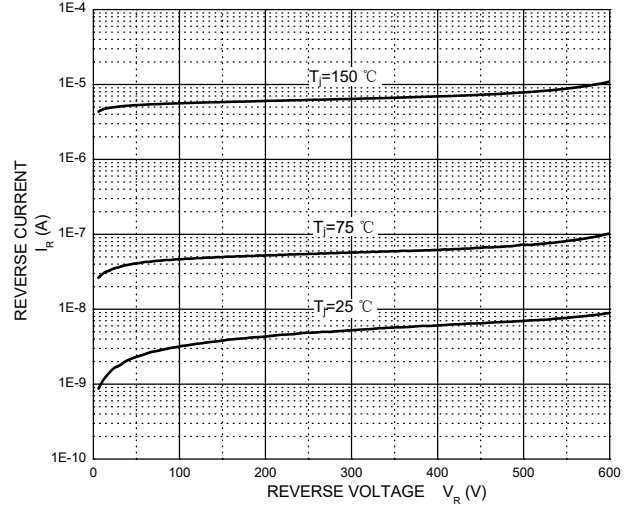
Symbol	Parameter	Test Conditions	Min.	Typ.	Max.	Unit
trr	Reverse Recovery Time	$I_F=10\text{A}, V_R=400\text{V}, di_F/dt=200\text{A}/\mu\text{s}$		76		ns
I_{RRM}	Max. Reverse Recovery Current			4.8		A
Qrr	Reverse Recovery Charge			223		nC
trr	Reverse Recovery Time	$I_F=10\text{A}, V_R=400\text{V}, di_F/dt=200\text{A}/\mu\text{s}, T_j=125^\circ\text{C}$		105		ns
I_{RRM}	Max. Reverse Recovery Current			8		A
Qrr	Reverse Recovery Charge			495		nC
trr	Reverse Recovery Time	$I_F=10\text{A}, V_R=400\text{V}, di_F/dt=600\text{A}/\mu\text{s}, T_j=125^\circ\text{C}$		60		ns
I_{RRM}	Max. Reverse Recovery Current			19		A
Qrr	Reverse Recovery Charge			646		nC

Typical Characteristics

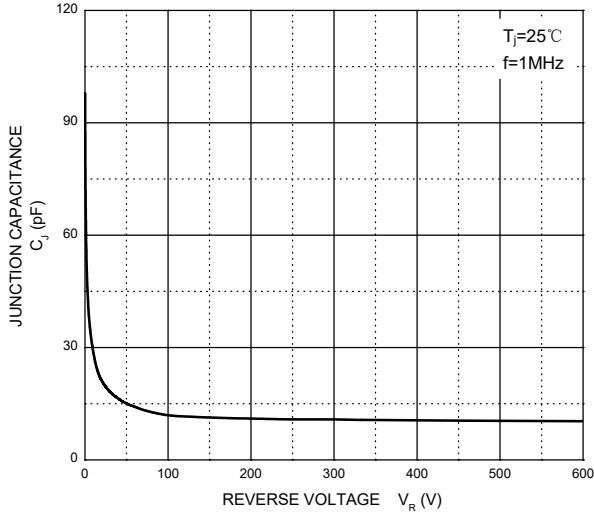
Forward Characteristics



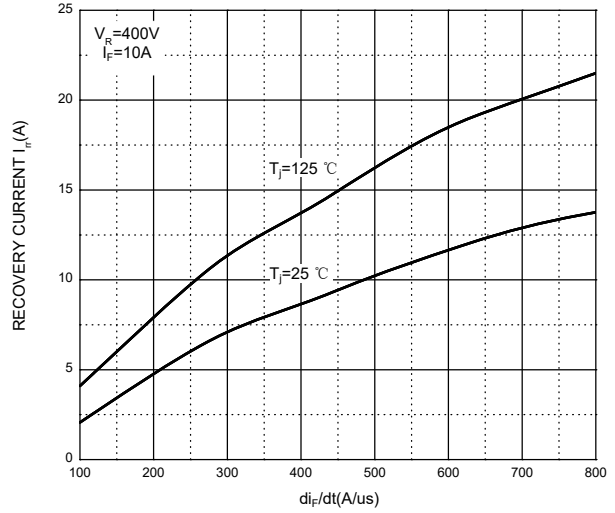
Reverse Characteristics



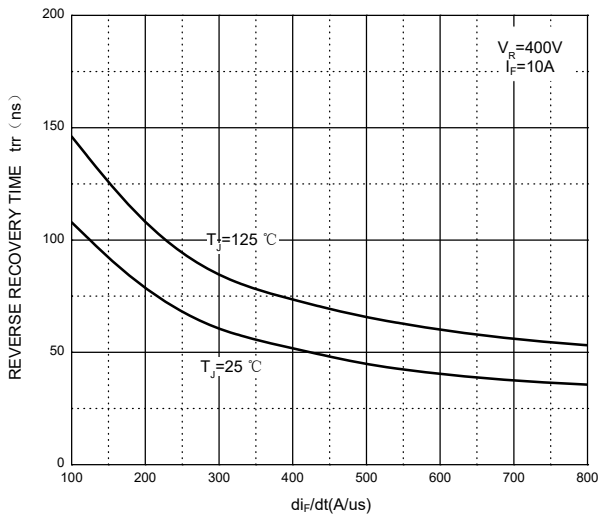
Capacitance Characteristics Per Diode



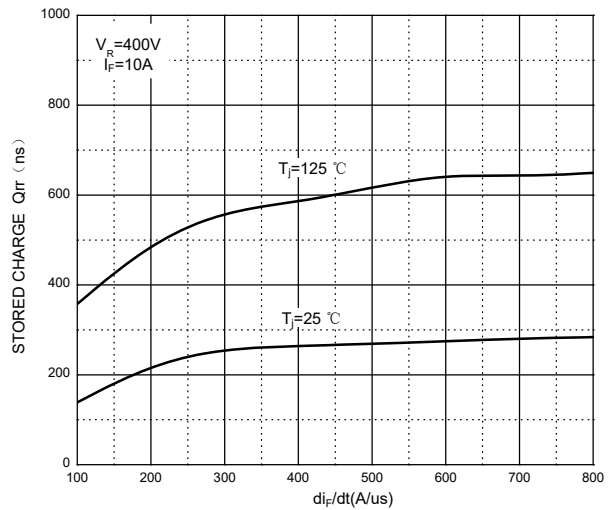
Recovery Current vs. di_F/dt



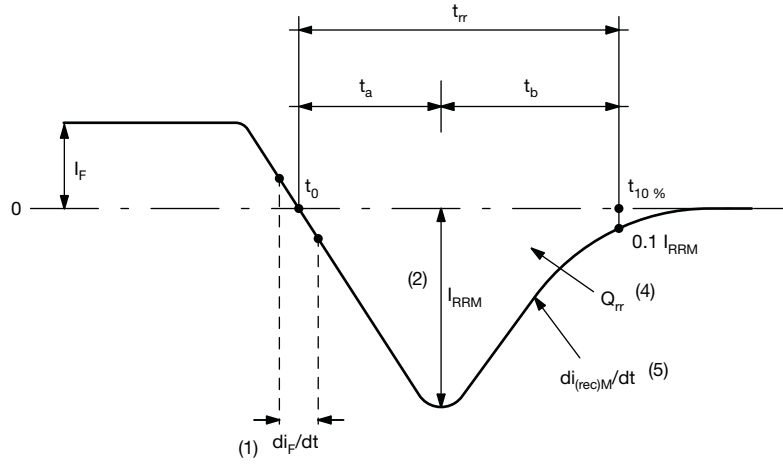
Reverse Recovery Time vs. di_F/dt



Stored Charge vs. di_F/dt

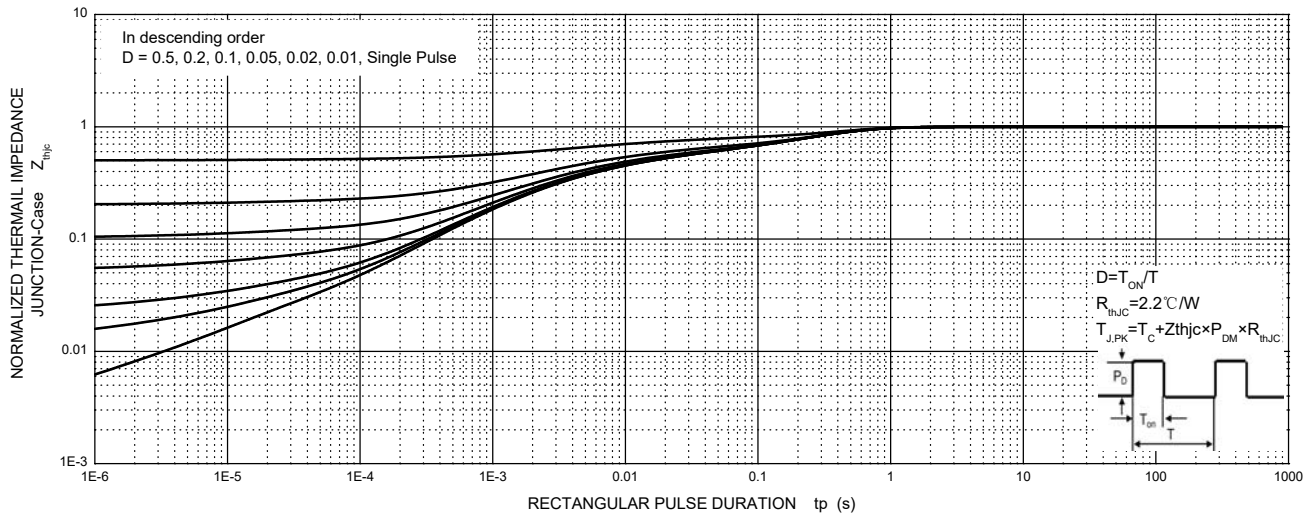


Typical Characteristics

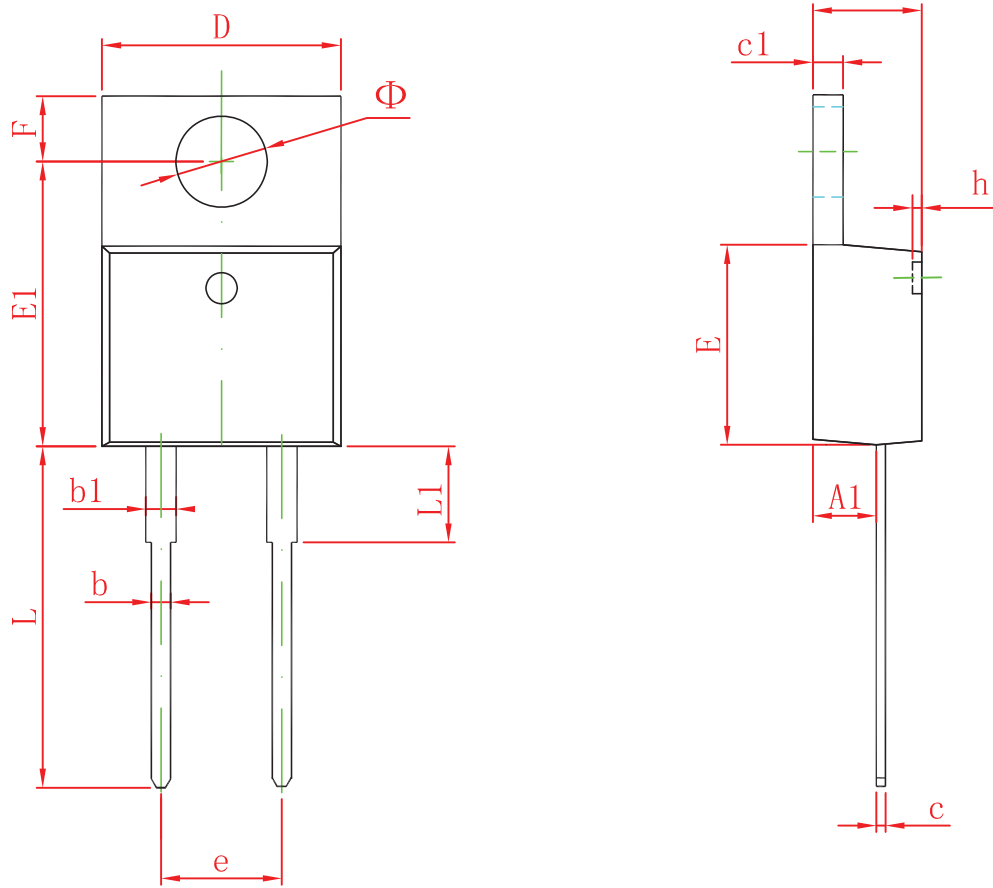


Reverse Recovery Waveform and Definitions

MUR10H60 Transient Thermal Impedance, Junction-Case



TO-220-2L Package Outline Dimensions



Symbol			Dimensions In Inches	
	Min	Max	Min	Max
A	4.450	4.750	0.175	0.187
	2.520	2.820	0.099	0.111
b	0.710	0.910	0.028	0.036
b1	1.170	1.370	0.046	0.054
c	0.300	0.500	0.012	0.020
c1	1.170	1.370	0.046	0.054
D	9.830	10.330	0.387	0.407
E	8.500	8.900	0.335	0.350
E1	12.050	12.650	0.474	0.498
e	5.080 TYP		0.200 TYP	
F	2.540	2.940	0.100	0.116
h	0.100 TYP		0.004 TYP	
L	13.300	13.800	0.523	0.543
L1	3.540	3.940	0.139	0.155
Φ	3.735	3.935	0.147	0.155

X-ON Electronics

Largest Supplier of Electrical and Electronic Components

Click to view similar products for [Rectifiers](#) category:

Click to view products by [Changjing Electronics Technology](#) manufacturer:

Other Similar products are found below :

[70HFR40](#) [FR105 R0](#) [RL252-TP](#) [1N5397](#) [1N4005-TR](#) [1N4007-BP](#) [UFS120Je3/TR13](#) [20ETS12S](#) [RRE02VS6SGTR](#) [MS306](#) [A1N5404G-G](#)
[CRF02\(T5L,TEMQ\)](#) [ACGRB207-HF](#) [CLH07\(TE16L,Q\)](#) [CLH03\(TE16L,Q\)](#) [1N5395-TP](#) [UES1302](#) [ACGRC307-HF](#) [ACEFC304-HF](#) [DZ-](#)
[1380](#) [85HFR60](#) [40HFR60](#) [70HF120](#) [85HFR80](#) [SCF7500](#) [SM100](#) [ACGRA4001-HF](#) [SKN70/08](#) [NTE5819](#) [NTE5827](#) [NTE5828](#) [NTE5911](#)
[NTE5915](#) [NTE6104](#) [NTE6163](#) [NTE6164](#) [NTE6165](#) [NTE6364](#) [TSD3G](#) [SET130312](#) [NRVUS110VT3G](#) [UES1106](#) [UES1306](#)
[NRVUS240VT3G](#) [D5FE60-5063](#) [R4000GPS-TP](#) [D4015L56TP](#) [UES1306HR2](#) [FX20K120](#) [D20XB60-7101](#)