



## SMAF Plastic-Encapsulate Diodes

### RS2AF THRU RS2MF Fast Recovery Rectifier Diodes

#### Features

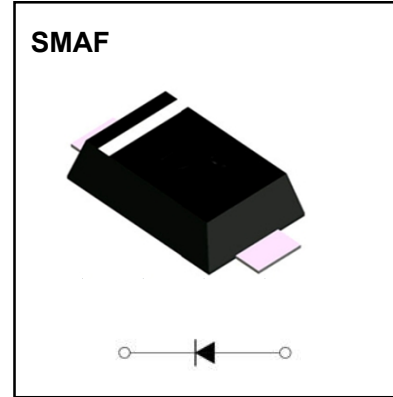
- $I_{F(AV)}$  2A
- $V_{RRM}$  50V-1000V
- High surge current capability
- Polarity: Color band denotes cathode

#### Applications

- Rectifier

#### Marking

- RS2X  
X : From A To M



#### Limiting Values(Absolute Maximum Rating)

| Item                                             | Symbol         | Unit             | Test Conditions                                                 | RS2        |     |     |     |     |     |      |
|--------------------------------------------------|----------------|------------------|-----------------------------------------------------------------|------------|-----|-----|-----|-----|-----|------|
|                                                  |                |                  |                                                                 | AF         | BF  | DF  | GF  | JF  | KF  | MF   |
| Repetitive Peak Reverse Voltage                  | $V_{RRM}$      | V                |                                                                 | 50         | 100 | 200 | 400 | 600 | 800 | 1000 |
| Maximum RMS Voltage                              | $V_{RMS}$      | V                |                                                                 | 35         | 70  | 140 | 280 | 420 | 560 | 700  |
| Average Forward Current                          | $I_{F(AV)}$    | A                | 60Hz Half-sine wave,<br>Resistance load, $T_a=90^\circ\text{C}$ | 2.0        |     |     |     |     |     |      |
| Surge(Non-repetitive)Forward Current             | $I_{FSM}$      | A                | 60Hz Half-sine wave,<br>1 cycle, $T_a=25^\circ\text{C}$         | 60         |     |     |     |     |     |      |
| Operation Junction and Storage Temperature Range | $T_J, T_{STG}$ | $^\circ\text{C}$ |                                                                 | -55 ~ +150 |     |     |     |     |     |      |

#### Electrical Characteristics ( $T=25^\circ\text{C}$ Unless otherwise specified)

| Item                          | Symbol           | Unit                      | Test Condition                                          | RS2                     |    |    |     |    |     |    |
|-------------------------------|------------------|---------------------------|---------------------------------------------------------|-------------------------|----|----|-----|----|-----|----|
|                               |                  |                           |                                                         | AF                      | BF | DF | GF  | JF | KF  | MF |
| Peak Forward Voltage          | $V_F$            | V                         | $I_F=2.0\text{A}$                                       | 1.3                     |    |    |     |    |     |    |
| Maximum reverse recovery time | $t_{rr}$         | ns                        | $I_F=0.5\text{A}, I_R=1.0\text{A}, I_{rr}=0.25\text{A}$ | 150                     |    |    | 250 |    | 500 |    |
| Peak Reverse Current          | $I_{RRM1}$       | $\mu\text{A}$             | $V_{RM}=V_{RRM}$                                        | $T_a=25^\circ\text{C}$  |    |    | 5   |    |     |    |
|                               | $I_{RRM2}$       |                           |                                                         | $T_a=125^\circ\text{C}$ |    |    | 50  |    |     |    |
| Thermal Resistance(Typical)   | $R_{\theta J-A}$ | $^\circ\text{C}/\text{W}$ | Between junction and ambient                            |                         | 55 |    |     |    |     |    |
|                               | $R_{\theta J-L}$ |                           | Between junction and terminal                           |                         | 18 |    |     |    |     |    |

#### Notes:

Thermal resistance from junction to ambient and from junction to lead mounted on P.C.B. with 0.2" x 0.2" (5.0 mm x 5.0 mm) copper pad areas

# Typical Characteristics

FIG.1: FORWARD CURRENT DERATING CURVE

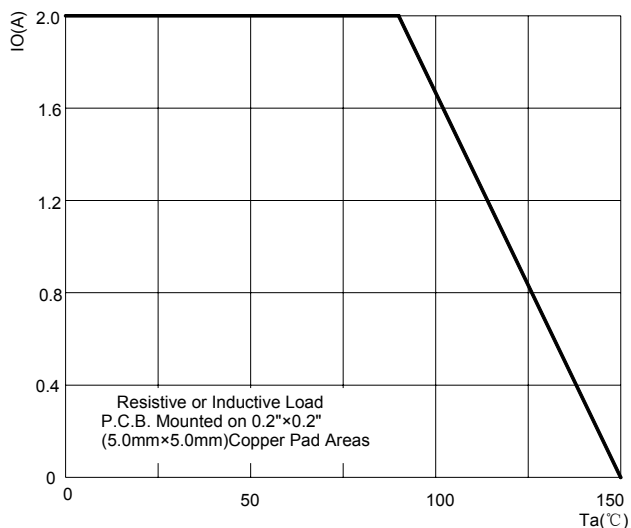


FIG2:Surge Forward Current Capacity

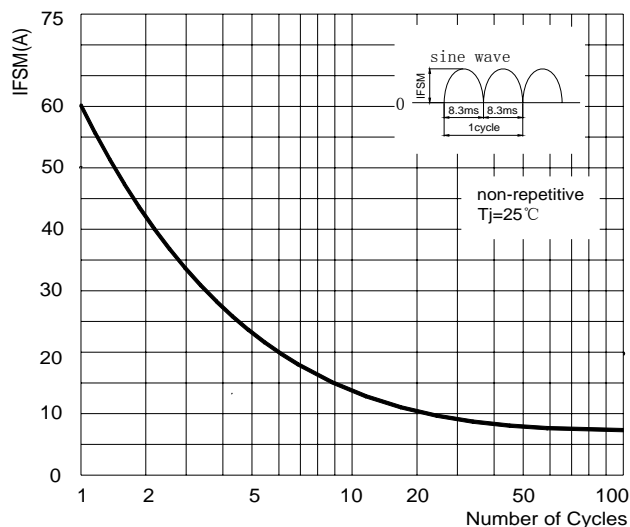


FIG.3: TYPICAL FORWARD CHARACTERISTICS

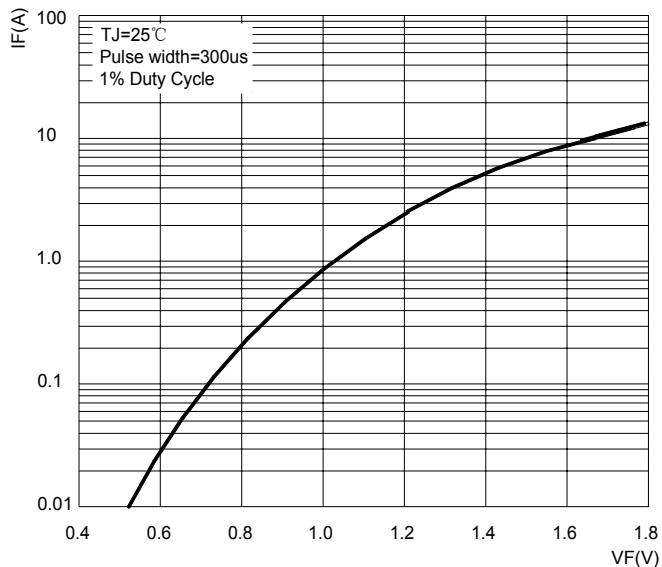


FIG.4 : TYPICAL REVERSE CHARACTERISTICS

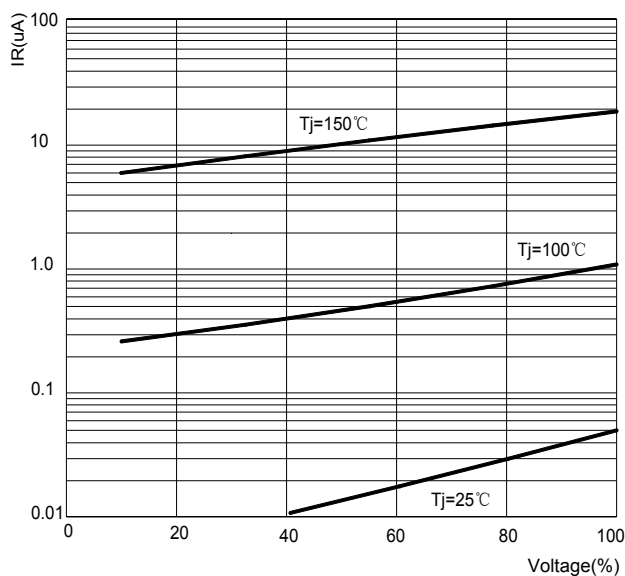
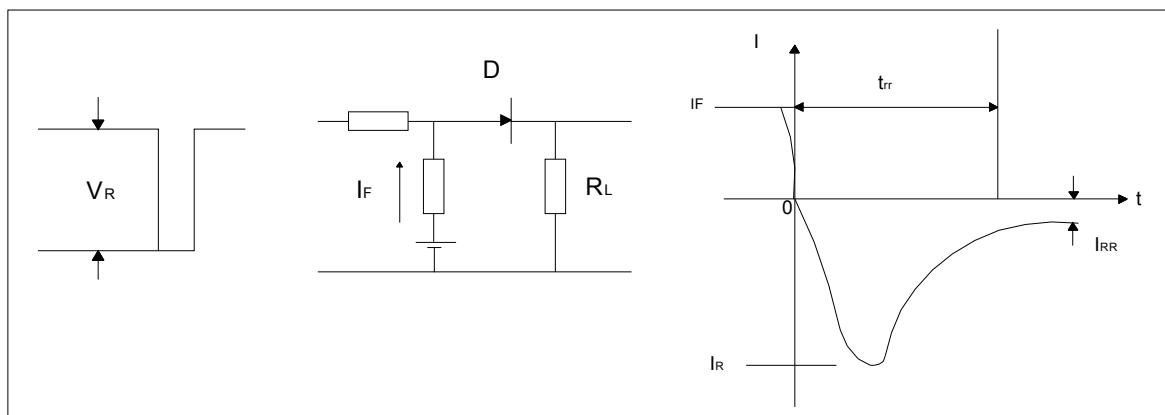


FIG.5: Diagram of circuit and Testing wave form of reverse recovery time

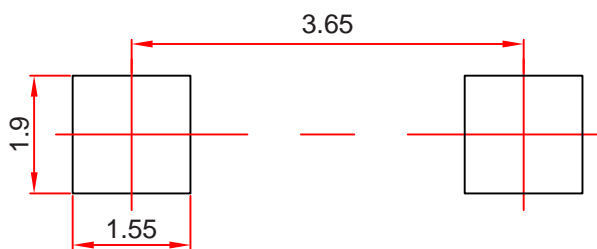


## SMAF Package Outline Dimensions



Dimensions in inches and (millimeters)

## SMAF Suggested Pad Layout



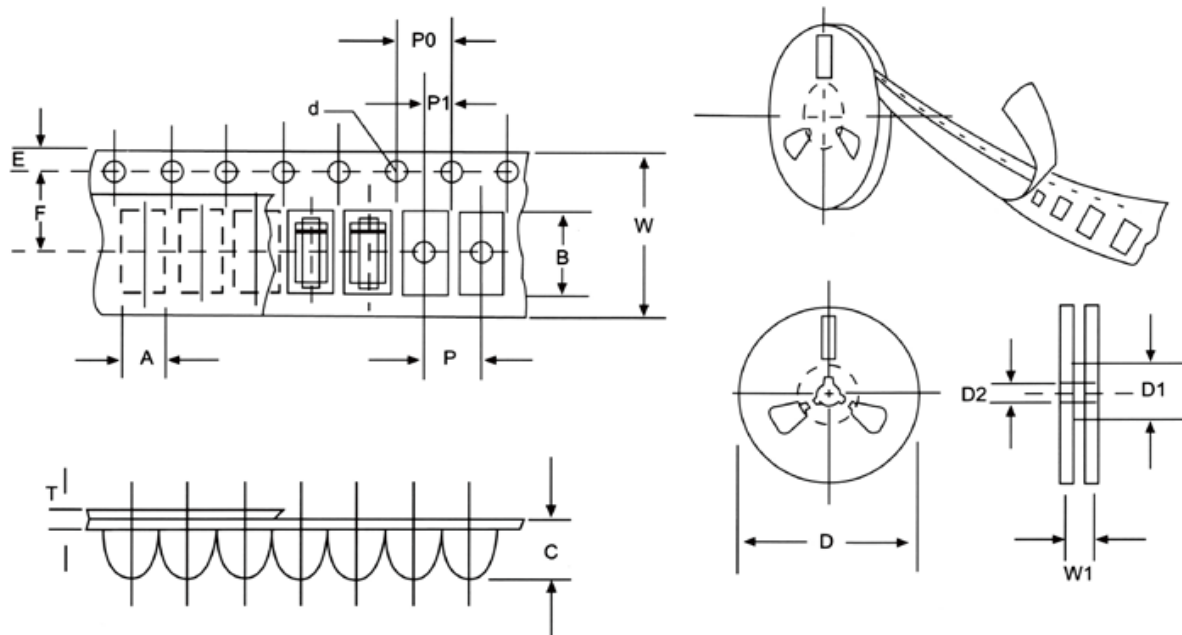
### Note:

1. Controlling dimension: in millimeters.
2. General tolerance:  $\pm 0.05$ mm.
3. The pad layout is for reference purposes only.

### NOTICE

JSCJ reserves the right to make modifications, enhancements, improvements, corrections or other changes without further notice to any product herein. JSCJ does not assume any liability arising out of the application or use of any product described herein.

## Reel Taping Specifications For Surface Mount Devices- SMAF



**FIG: CONFIGURATION OF SURFACE MOUNTED DEVICES TAPING**

| ITEM                   | SYMBOL | SMAF mm(inch)          |
|------------------------|--------|------------------------|
| Carrier width          | A      | 2.83+0.1(0.112+0.004)  |
| Carrier length         | B      | 4.90+0.1(0.193+0.004)  |
| Carrier depth          | C      | 1.45+0.1(0.057+0.004)  |
| Sprocket hole          | d      | 1.55+0.05(0.061+0.002) |
| Reel outside diameter  | D      | 178+2.0(7.0+0.079)     |
| Reel inner diameter    | D1     | 54±1.0(2.13±0.039)     |
| Feed hole diameter     | D2     | 13+0.5(0.512+0.020)    |
| Sprocket hole position | E      | 1.75+0.1(0.069+0.004)  |
| Punch hole position    | F      | 5.5+0.05(0.217+0.002)  |
| Punch hole pitch       | P      | 4.0+0.1(0.157+0.004)   |
| Sprocket hole pitch    | P0     | 4.0+0.1(0.157+0.004)   |
| Embossment center      | P1     | 2.0+0.1(0.079+0.004)   |
| Total tape thickness   | T      | 0.23-0.29(0.009-0.011) |
| Tape width             | W      | 12.0+0.1(0.472+0.004)  |
| Reel width             | W1     | 16.8+2.0(0.661+0.079)  |

NOTE: Devices are packed in accordance with EIA standard RS-481-A and specification given above.

## X-ON Electronics

Largest Supplier of Electrical and Electronic Components

*Click to view similar products for [Rectifiers](#) category:*

*Click to view products by [Changjing Electronics Technology](#) manufacturer:*

Other Similar products are found below :

[70HFR40](#) [FR105 R0](#) [RL252-TP](#) [DLA11C-TR-E](#) [DSA17G](#) [1N5397](#) [JANTX1N5634A](#) [1N4002G](#) [1N4005-TR](#) [JANS1N6640US](#) [481235F](#)  
[RRE02VS6SGTR](#) [067907F](#) [MS306](#) [US2JFL-TP](#) [A1N5404G-G](#) [CRS04\(T5L,TEMQ\)](#) [CRS12\(T5L,TEMQ\)](#) [ACGRB207-HF](#)  
[CLH07\(TE16L,Q\)](#) [CLH03\(TE16L,Q\)](#) [UES1302](#) [ACGRC307-HF](#) [ACEFC304-HF](#) [DZ-1380](#) [NTE6356](#) [NTE6359](#) [JAN1N5555](#) [85HFR60](#)  
[40HFR60](#) [70HF120](#) [85HFR80](#) [D126A45C](#) [SCF7500](#) [SCHJ22.5K](#) [SM100](#) [SCPA2](#) [SDHD5K](#) [ACGRA4001-HF](#) [D1821SH45T PR](#)  
[D1251S45T](#) [NTE6358](#) [NTE5850](#) [NTE5819](#) [NTE5837](#) [NTE5892](#) [NTE5900](#) [NTE5911](#) [NTE5915](#) [NTE5921](#)