



INFRARED RECEIVER MODULE

● Description

The ZIRM-5042B-42-Z2 is miniaturized infrared receivers for remote control and other applications requiring improved ambient light rejection.

The separate PIN diode and preamplifier IC are assembled on a single lead frame.

The epoxy package contains a special IR filter.

This module has excellent performance even in disturbed ambient light applications and provides protection against uncontrolled output pulses.



● Features

- Supply voltage range: 2.7V ~ 5.5 V
- TTL and CMOS compatibility
- No external components except PIN diode
- Available for carrier frequencies between 32.7kHz to 40kHz,(Adjusted by zener-diode fusing, 32.7kHz,36.7kHz,37.9kHz,40kHz)
- Internal filter for PCM frequency
- Enhanced immunity against all kinds of disturbance light and power noise (Built-in Filter & AGC Circuit)
- No occurrence of disturbance pulses at output pin within nominal conditions.
- Open collector output & Output active low (Built-in Pull-up resistor 50 k Ω)
- The output pulse width is very stable (Optimized for a narrow margin of the decoding)

● Applications:

1. Optical switch
2. Light detecting protion of remote contol
 - AV instruments such as Audio,TV,VCR,CD,MD,DVD,etc.
 - Home appliances such as Air-conditioner,Fan,etc.
 - CATV set top boxes
 - Multi-media Equipment

● Cautions

- store and use where there is no force causing transformation or change in quality
- store and use where there is no extreme humidity
- in order to prevent damage from static electricity make sure that the human body and the Soldering iron are connected to ground before using
- the ripple noise from power supply lines may shorten detecting distance of IT receivermodule Thus in order to ensure more reliable operating please add RC filter (R=100 C=47) between Vcc and GND
- when a disturbance signal is applied to the series it can still receive the data signal However the sensitivity is reduced to the level that no unexpected pulses will occur Some examples of such disturbance signals which can be suppressed pulses by the series
 - A DC light(ex from tungsten lamp or sunlight)
 - B Continuous signal at center frequency or any other frequency
 - C Signals from fluorescent lamps with electronic ballast with high or low mosulation

● Absolute Maximum Ratings (Ta=25°C)

Exposure to absolute maximum rating conditions for extended periods may affect device reliability

Parameter	Symbol	Value	Unit	
Supply voltage	V _S	-0.3 to +6	V	
Supply current	I _S	2	mA	
Input voltage	V _{IN}	-0.3 to V _S	V	
Output voltage	V _O	-0.3 to V _S	V	
Output sink current	I _O	30	mA	
Operating temperature	T _{amb}	-25 to +85	°C	
Storage temperature	T _{stg}	-40 to +125	°C	
Power dissipation at T _{amb} = 25°C	P _{tot}	30	mW	
ESD stress HBM	VS, OUT	V _{ESD}	8000	V
	IN	V _{ESD}	300	V
ESD stress MM	VS, OUT	V _{ESD}	400	V
	IN	V _{ESD}	100	V

● Electrical And Optical Characteristics (Ta=25°C)

Tamb = -25°C to +85°C, VS = 5V unless otherwise specified.

Parameters	Test Conditions	Symbol	Min.	Typ.	Max.	Unit
Supply						
Supply-voltage range		VS	2.7		5.5	V
Supply current	IIN = 0	IS	165	220	290	uA
Output						
Internal pull-up resistor	Tamb=25°C, See Figure 3	RPU		57		kΩ
Output voltage low	R2=2.4 kΩ, See Figure 3	VOL			250	mV
Output voltage high		VOH	VS-0.25		VS	V
Output current clamping	R2=0, See Figure 3	IOCL		15		mA
Output pulse width	Fin=37.9kHz, burst wave Vin=500uVp-p, Note 1	tPW1		422		uS
	Fin=37.9kHz, burst wave Vin=50mVp-p, Note 1	tPW2		422		uS
Input						
Input DC current	VIN=0, See Figure 3	IIN-DCMAX	-50			μA
Minimum detection threshold current	IIN_DC = 0	IIN-ACMIN		800		pA
Variable Amplifier						
Maximum value of variable gain		GVARMAX		20		dB
Minimum value of variable gain		GVARMIN		-30		dB
Total internal amplification		GMAX		72		dB

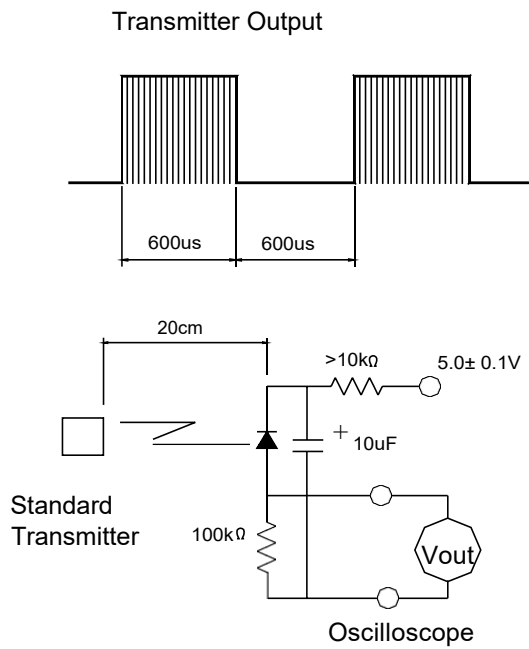
*1: The ray receiving surface at a vertex and relation to the ray a

xis in the range of $\theta=0^\circ$ and $\theta=45^\circ$

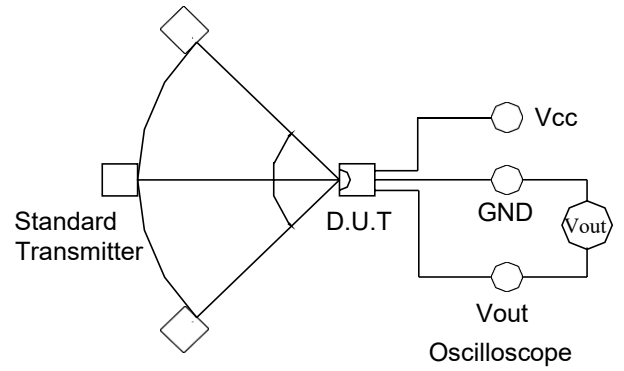
*2: A range from 30cm to the arrival distance. Average value of 50 pulses

● Test Method

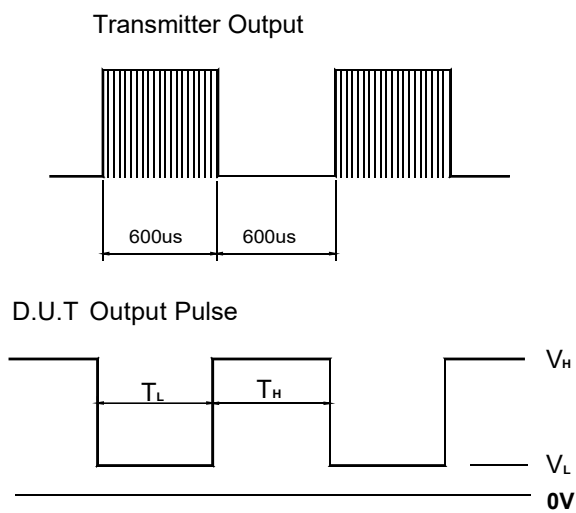
A. Standard Transmitter



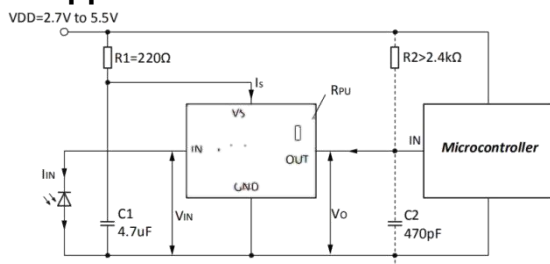
B. Detection Length Test



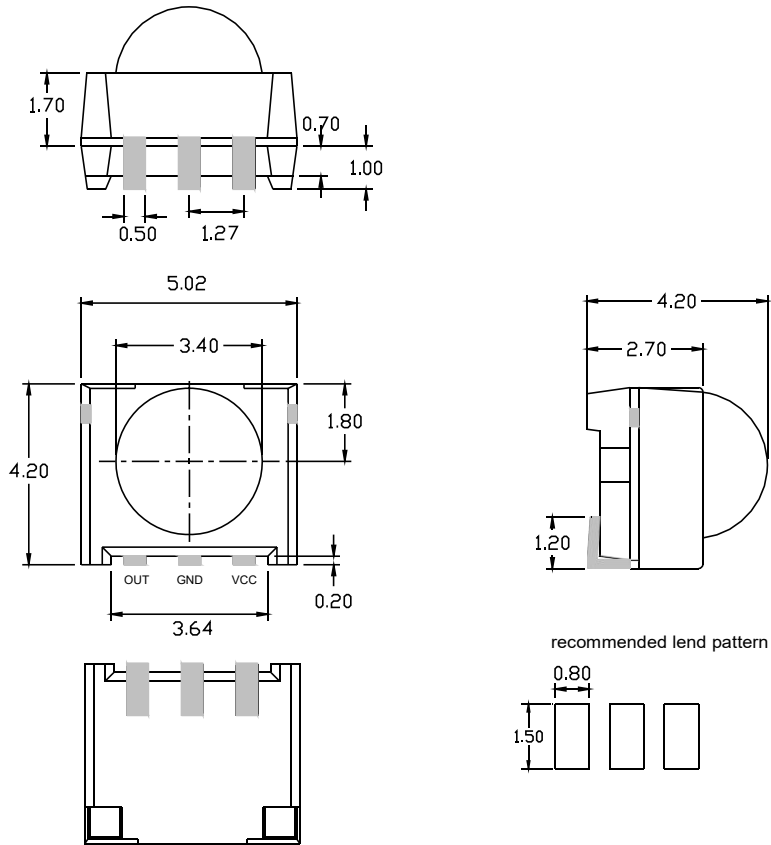
C. Pulse Width Test



● Application Circuit



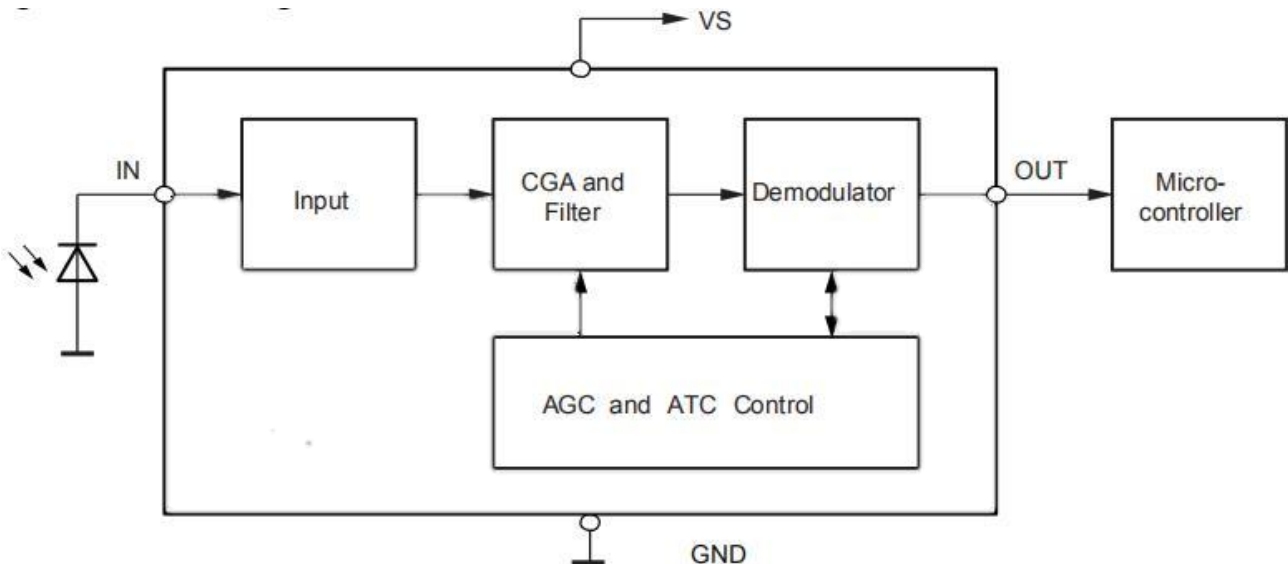
● **Package Dimensions:**



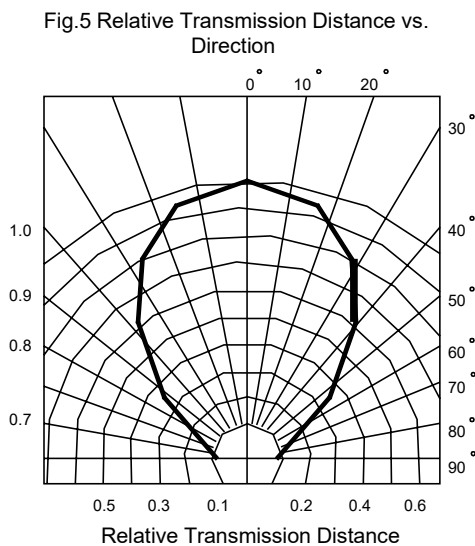
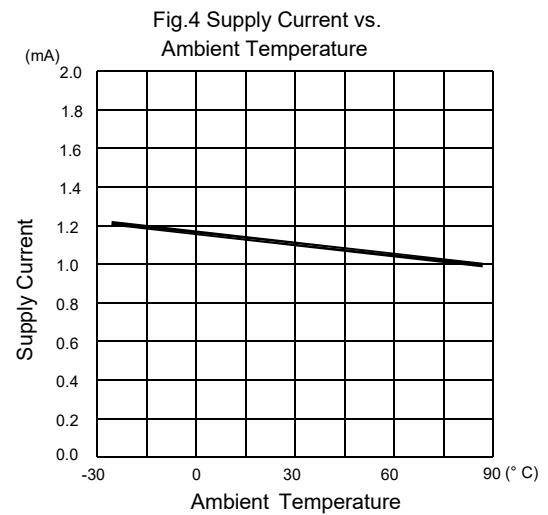
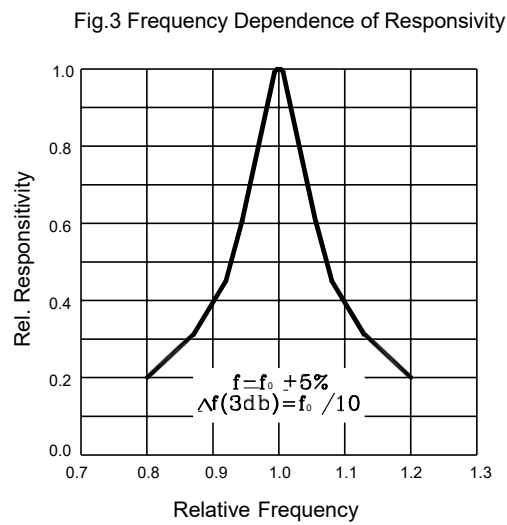
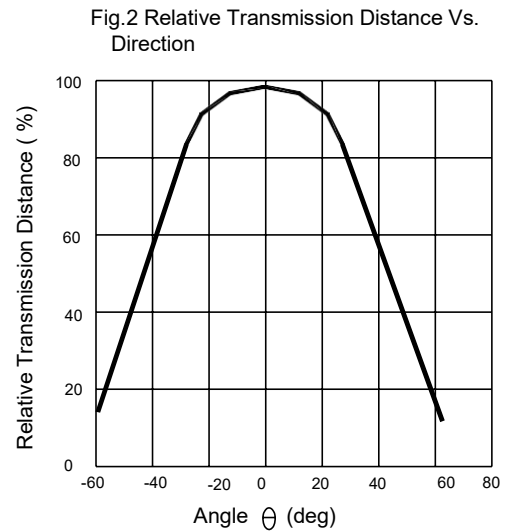
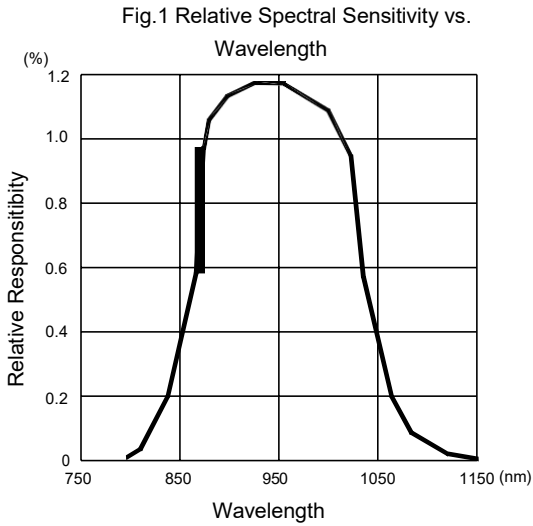
NOTES:

1. All dimensions are in millimeters (inches).
2. Tolerance is $\pm 0.30\text{mm}$ (0.012") unless otherwise specified.
3. Specifications are subject to change without notice.

● **Function block diagram**



● **Electrical And Optical Curves(Ta=25°C)**



ESD Test Results

Parameter	Specification	Results
Machine Model	Min $\pm 200V$	$> \pm 400V$
Human Body Model	Min $\pm 2000V$	$> \pm 4000V$
Charged Device Model	Min $\pm 400V$	$> \pm 600V$

● **Suitable Data format**

Item	Symbol	Time
Minimum burst length	t _{Burst}	250us
Minimum gap time after each burst	t _{Gap}	300us
Minimum pause time in the data stream	t _{pause_min}	Min. 25 ms

t_{Pause_min} Could be changed by different data word format. Therefore, for new application on sets please refer to “Required data pause time(t_{Pause})” on above.

● **Reliability Test Items**

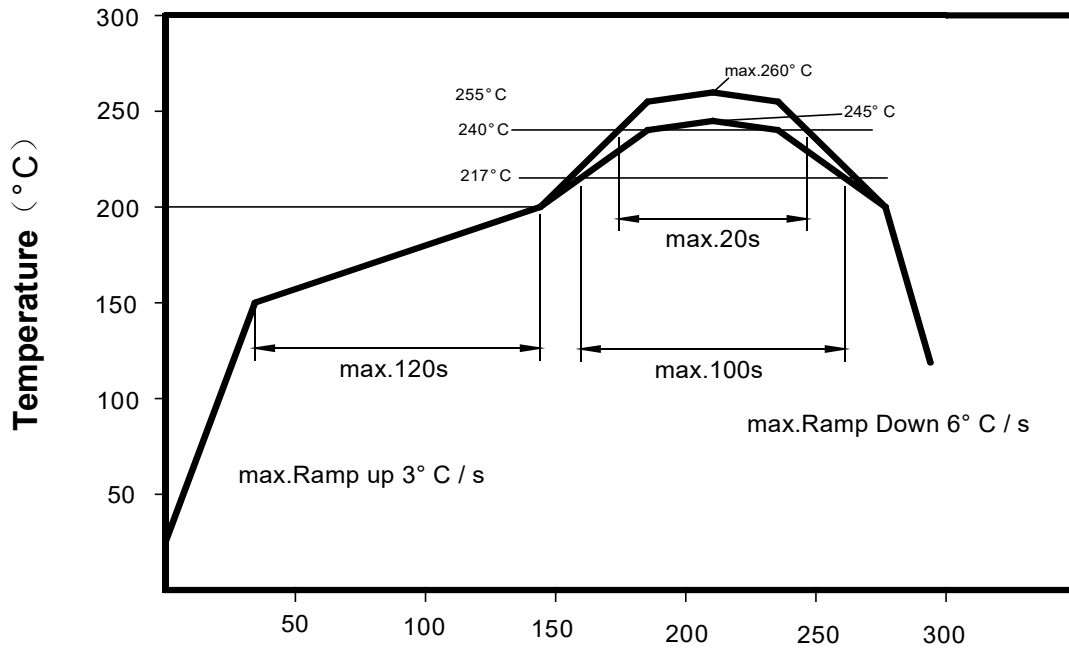
Parameter	Test conditions	Remark
High Temperature	Ta=+85, VCC=5.0V t=240h	※1, ※2
Low Temperature	Ta=-30, VCC=5.0V t=240h	※1, ※2
High Temp./ High Humidity	Ta=+85℃ 85%RH, VCC=5.0V t=240h	※1, ※2
Heat Cycle	Ta=-20℃(0.5h) to +85℃(0.5h) 20 cycle	※2, ※3
Fall Test	Height=75cm, 3 times	※4

- ※ 1. Supply voltage of load test is 5V.
- ※ 2. Electro-optical characteristics shall be satisfied after leaving 2 hours in the normal condition.
- ※ 3. Heat cycle test shall repeat above condition 20 times under no load.
- ※ 4. The test devices shall be dropped three time on the hard wooden board from a height of 75cm.

● **Material Configuration**

Parameter	Configuration	Remark
IC	Silicon(99%)	
Photo diode	Silicon(99%)	
Epoxy resin	Resin(55.5%), Hardener(45.5%)	
Silver epoxy	Silver(80%), Resin(10%), Hardener(10%)	
Bond wire	Gold(99.99%)	

● Lead(Pb)-Free Reflow Solder Profile

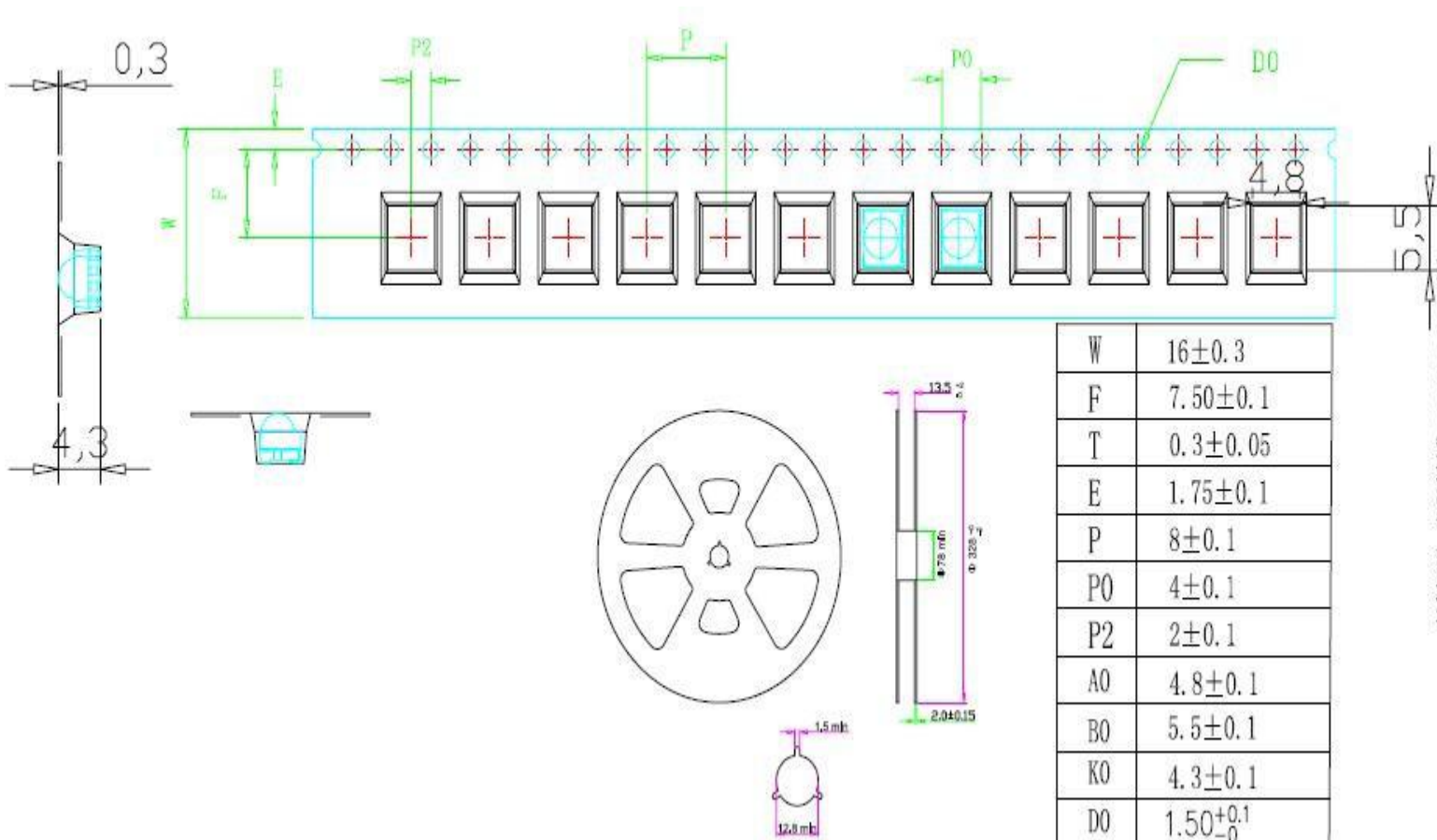


● Manual soldering

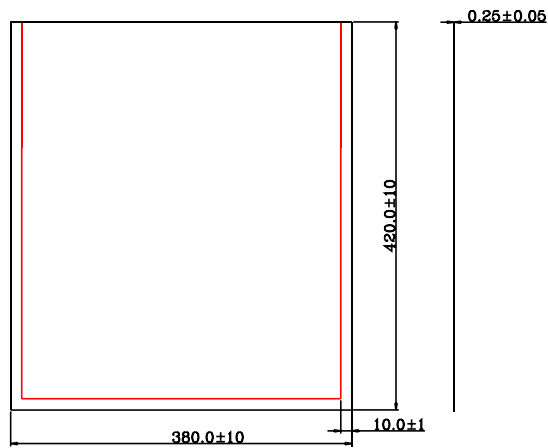
Time (S)

Use a soldering iron of 25W or less. Adjust the temperature of the soldering iron below 260°C.

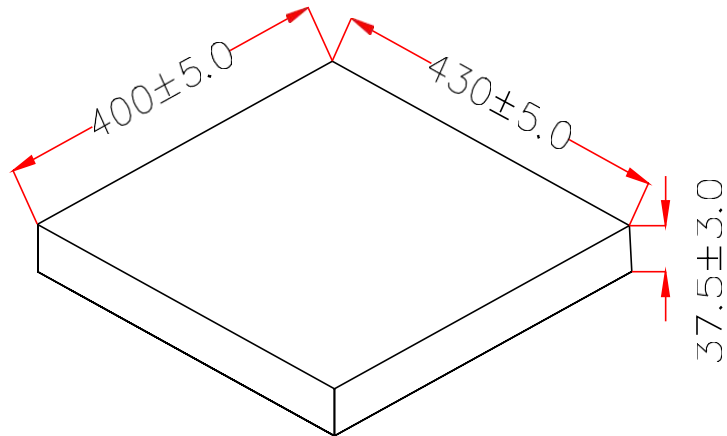
● Taping and reel dimensions in millimeters



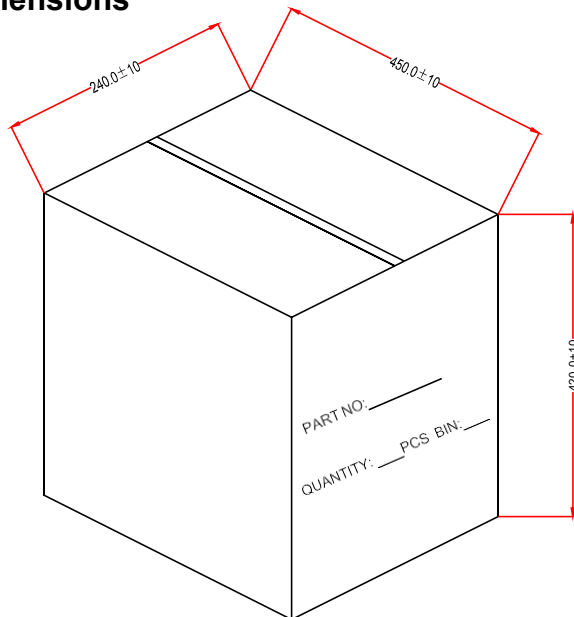
● Packaging Bag Dimensions



● Packaging Box Dimensions



● Packaging outer Box Dimensions



NOTES:

1. 2000 PCS per reel, 2 reels per box, 6 box per Carton.
2. All dimensions are in millimeters (inches).
3. Tolerance is ± 0.30 mm (0.012") unless otherwise specified.
4. Specifications are subject to change without notice.

● **acceptable code list**

data format	code acceptable
NEC	O
RC5_Philips	O
RC6_Philips	O
Toshiba	O
Sharp	X
Sony 12 Bit	O
Sony 15 Bit	O
Sony 20 Bit	O
Zenith	O
JVC	O
RCMM	X
Continuous Code	X

● **Use matters needing attention**

- store and use where there is no force causing transformation or change in quality
- store and use where there is no extreme humidity
- in order to prevent damage from static electricity make sure that the human body and the Soldering iron are connected to ground before using
- Please from the bottom of the resin for welding for more than 2 mm
- Dip soldering: please below 260 degrees, 5 seconds to complete welding
- Soldering iron: please below 350 degrees, 3 seconds to complete welding
- Please avoid correct position after welding
- When welding in the lead frame please don't put pressure on the heated condition
- When the circuit board is installed, the mounting hole distance is consistent With the lead frame

X-ON Electronics

Largest Supplier of Electrical and Electronic Components

Click to view similar products for [Infrared Receivers](#) category:

Click to view products by [Chau Light](#) manufacturer:

Other Similar products are found below :

[TSOP38436](#) [TSOP6136TT](#) [TSOP2456](#) [TSOP31456](#) [TSOP38336](#) [TSOP53356](#) [TSOP53256](#) [TSOP31136](#) [TSOP75238WTT](#) [RPM5537-H14E2A](#) [RPM7136-H4R](#) [RPM7238-H5R](#) [TSOP4156](#) [TSOP6156TR](#) [TSOP75336WTT](#) [TSOP75338TR](#) [TSSP77038TT](#) [TSOP38138](#) [TSSP57P38TT1](#) [GP1UE292QKVF](#) [GP1UM287XK](#) [TSOP59438](#) [TSOP58336](#) [TSOP38156](#) [OSRB38C9AA](#) [TSOP37438ETT1](#) [TSOP39336TR1](#) [TSOP75240TR](#) [TSOP75256TR](#) [TSOP53456](#) [TSOP75436TT](#) [TSOP53556](#) [TSOP75456TR](#) [TSOP39338](#) [TSOP39538TR1](#) [TSOP75256TT](#) [TSOP75336TR](#) [TSOP4838QJ1](#) [TSSP4038SS1XB](#) [TSOP39438TR1](#) [TSOP6133TR](#) [IS471FE](#) [OSRB38C9BA](#) [GP1UD277XK](#) [GP1UE282YKVF](#) [GP1UM272RK](#) [GP1UM272XK](#) [GP1UM287RK](#) [GP1UM287YK](#) [GP1UM28YK0VF](#)