



Technical Data Sheet

Infrared LED

ZIRP28C



Descriptions

The ZIRP28C is a high intensity diode, molded in a water clear plastic package. The miniature side-facing device has a chip, that emits radiation from the side of the clear package.

Features

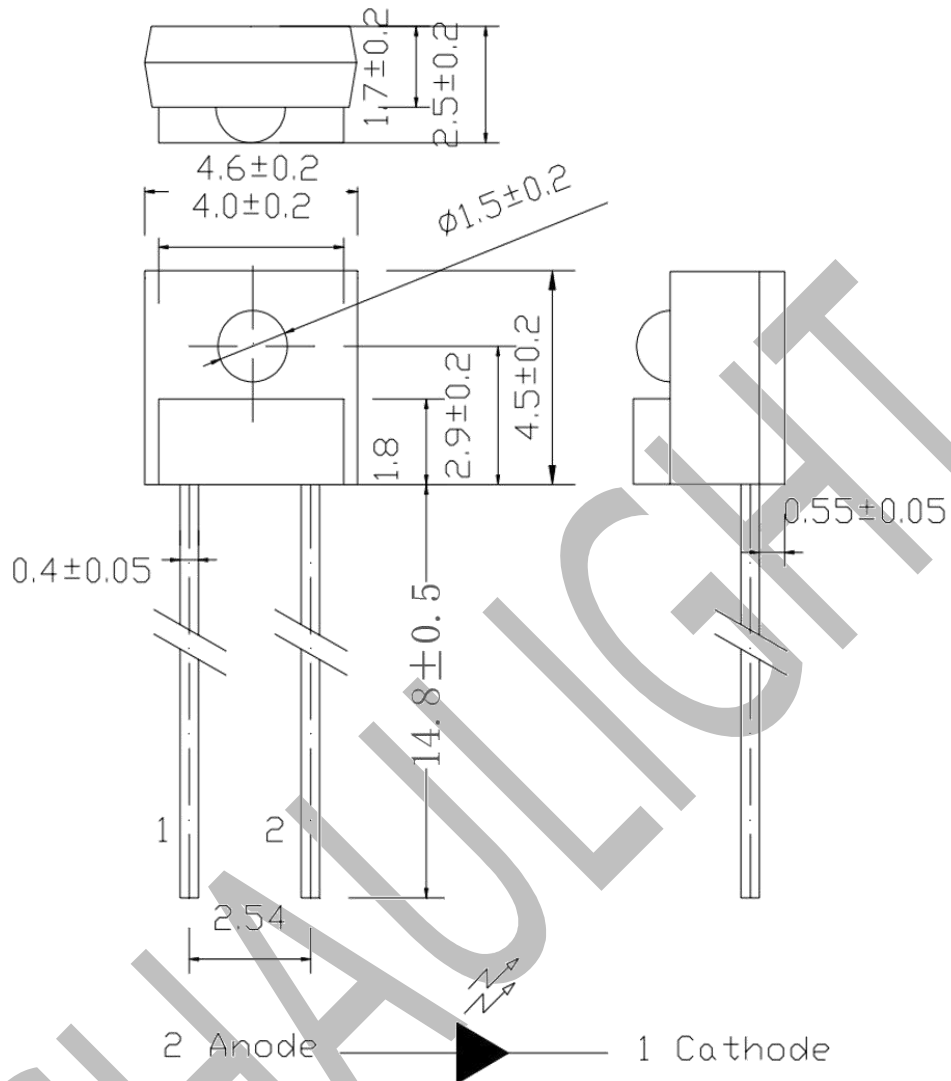
- High reliability
- High radiant intensity
- Peak wavelength $\lambda_p=940\text{nm}$
- Low forward voltage
- Pb.Free
- This product itself will remain within RoHS compliant version.

Applications

- Mouse
- Optoelectronic switch
- Copiers
- Scanners
- Amusement machines



Package Dimension



Notes:

1. All dimensions are in millimeters
2. Tolerances unless dimensions ± 0.3 mm
3. Lead spacing is measured where the lead emerge from the package



Absolute Maximum Ratings

Parameter (Ta=25°C)	Symbol	Ratings	Unit
Power Dissipation at(or below)25°C cfree Air Temperature	Pd	75	mW
Reverse Voltage	V _R	5	V
Forward Current	I _F	50	mA
Peak Forward Current Pulse width ≤ 100μs,Duty cycle= 1%	I _{FP}	1	A
Operating Temperature	Topr	-40~+85	°C
Storage Temperature	Tstg	-40~+100	°C
Lead Soldering Temperature (2mm form body for 5 seconds)	Tsol	260	°C

Electro-Optical Characteristics

Paramete (Ta=25°C)	Symbol	Condition	Min.	Typ.	Max.	Units
Light Current	I _c (ON)	I _F =4mA,V _{CE} =3.5V	650	--	1274	μA
Peak Wavelength	λ _p	I _F =20mA	--	940	--	nm
Spectral Bandwidth	Δλ	I _F =20mA	--	45	--	nm
Forward Voltage	V _F	I _F =20mA	--	1.2	1.5	V
Reverse Current	I _R	V _R =5V	--	--	10	μA
View Angle	2θ1/2	I _F =20mA	--	40	--	deg
Radiant Intensity	IE	I _F =20mA	3.89	3.97	4.05	mW/sr
Radiant Intensity	IE	I _F =30mA	6.37	6.45	6.46	mW/sr



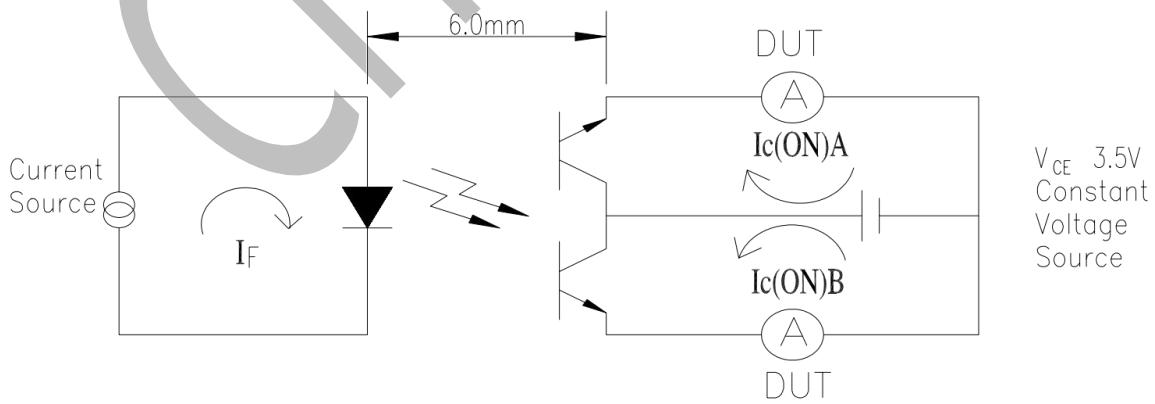
Rank

Parameter	Symbol	Condition	Min.	Max.	Unit
6-1	Ic(ON)	$I_F=4mA, V_{CE}=3.5V$	650	1274	μA

Test Method For Ic(ON):

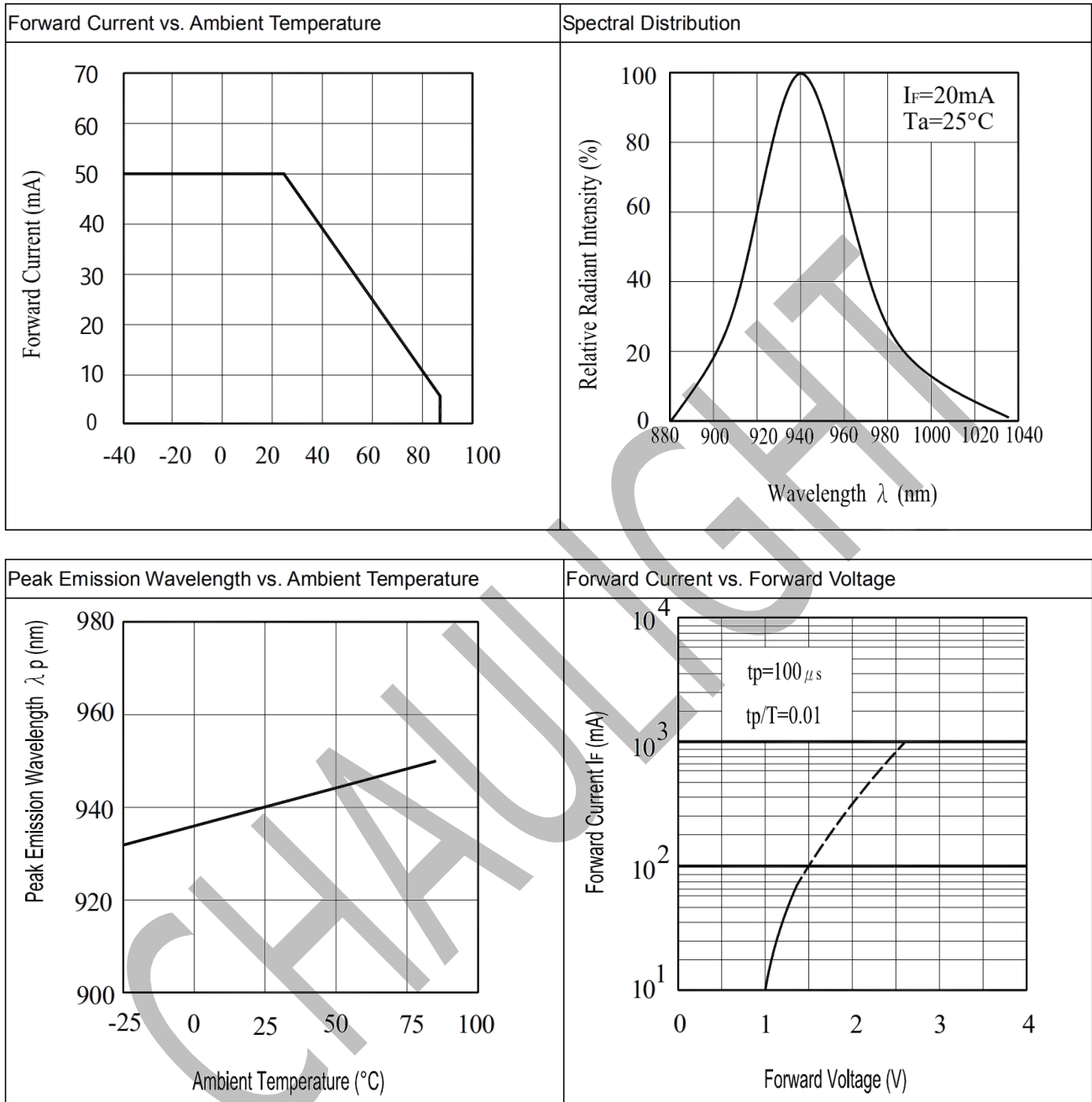
Condition: $I_F=4mA, V_{CE}=3.5V$

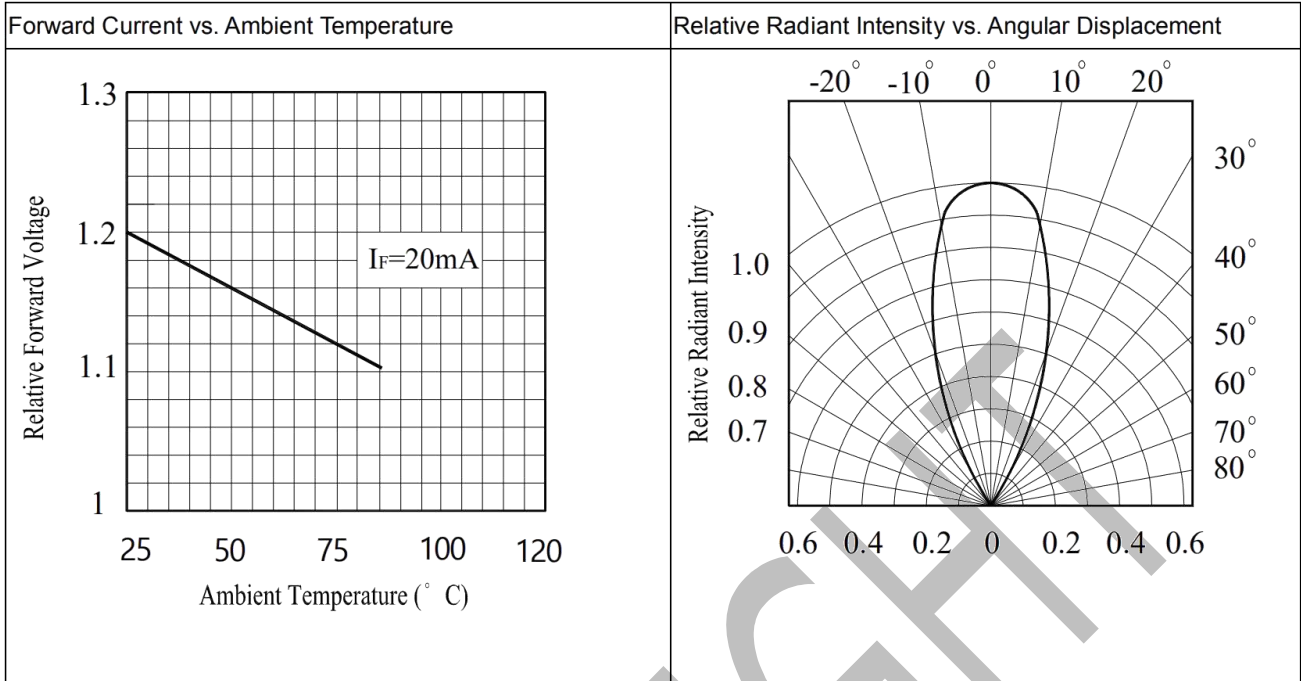
The intensity testing method for infrared emitting diode





Typical Electrical/Optical/Characteristics Curves





Packing Quantity Specification

1. 1000PCS/1Bag, 8Bags/1Box
2. 10Boxes/1Carton

X-ON Electronics

Largest Supplier of Electrical and Electronic Components

Click to view similar products for [Infrared Emitters](#) category:

Click to view products by [Chau Light](#) manufacturer:

Other Similar products are found below :

[LTE-309](#) [LTE-3279K](#) [LTE-4206C](#) [LTE-4208C](#) [EE-L105-X](#) [K3N](#) [QED123UL](#) [LTE-2871C](#) [LTE-2872U](#) [LTE-4238](#) [ASDL-4264-C22](#)
[TSHA6201](#) [TSHA6202](#) [HSDL-4400031](#) [EAIPL3528Z0](#) [OED-EL305F4C50-HT](#) [TSUS6202](#) [OP216-004](#) [VSMY98145DS](#) [VSMY99445DS](#)
[HL-PST-1608IR1C-L4](#) [IN-S126ETIR](#) [IN-S126DSHIR](#) [IN-S126ETHIR](#) [IN-P32ZTHIR](#) [IN-S126BTHIR](#) [IN-S63DTHIR](#) [IN-S85BTHIR](#) [IN-S63FTHIR](#) [E6C0805IRAC1UDA940nm](#) [HIR204C/H0](#) [HIR204/H0](#) [HIR323C](#) [LTE-209](#) [TSML1030](#) [IR12-21C/TR8](#) [IR17-21C/TR8](#) [IR383](#)
[IR91-21C/TR10](#) [WP7113F3BT](#) [SFH 4949](#) [LTE-4208](#) [OP235W](#) [OP297FAB](#) [TSHA5201](#) [TSHA5500](#) [TSTS7500](#) [TSUS5201](#) [TSUS5401](#)
[TSUS6402](#)