



ZPD053B-60-S40

Technical Data Sheet

5mm Photo Transistor



Descriptions

The ZPD053B-60-S40 is a high speed and high sensitive PIN photodiode in a standard 5 ψ plastic package. Due to its black epoxy the device is sensitive to visible and infrared radiation.

Features

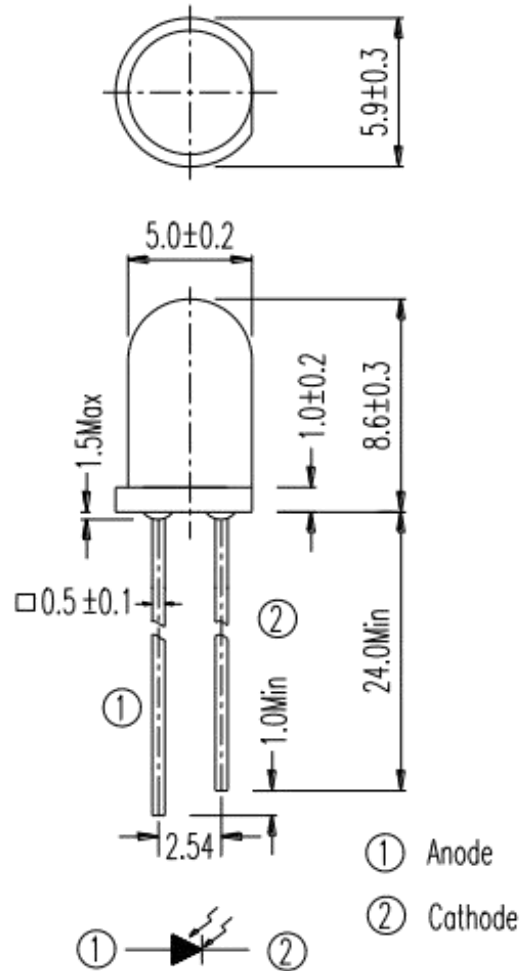
- Fast response time
- High photo sensitivity
- Pb.Free
- This product itself will remain within RoHS compliant version.

Applications

- High speed photo detector
- Security system
- Camera



Package Dimension



Notes:

1. All dimensions are in millimeters
2. Tolerances unless dimensions ± 0.3 mm
3. Lead spacing is measured where the lead emerge from the package



Absolute Maximum Ratings

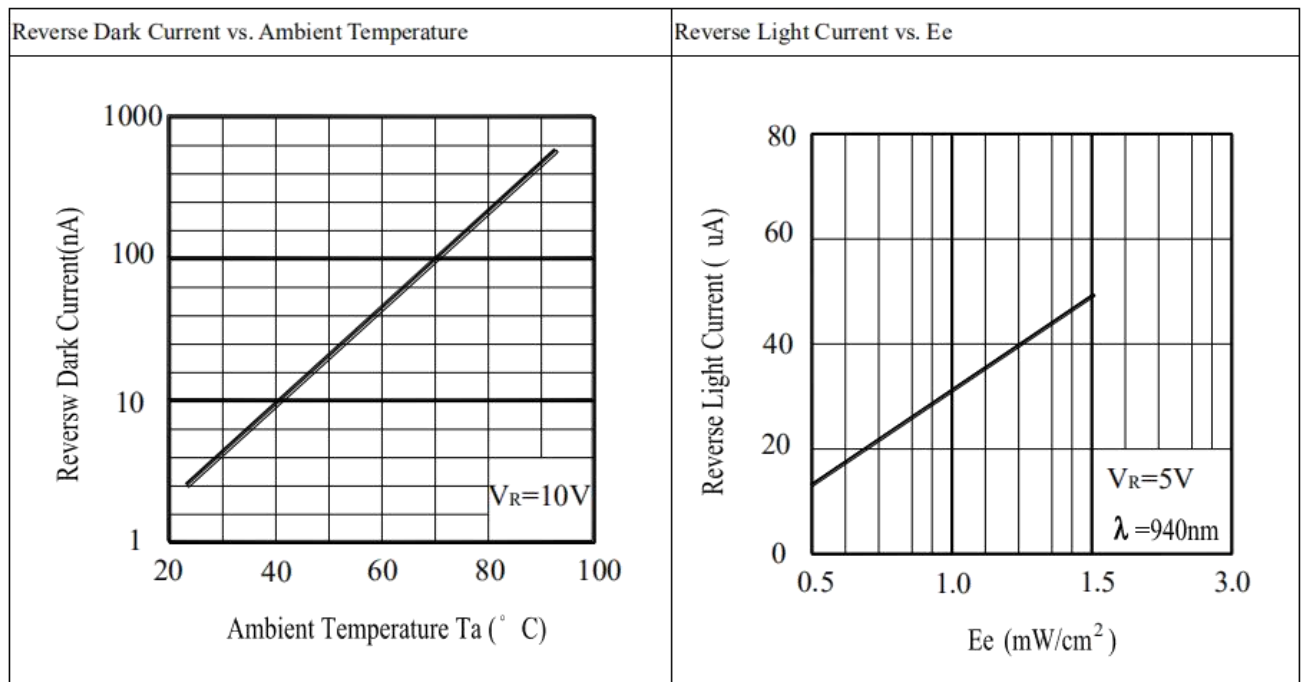
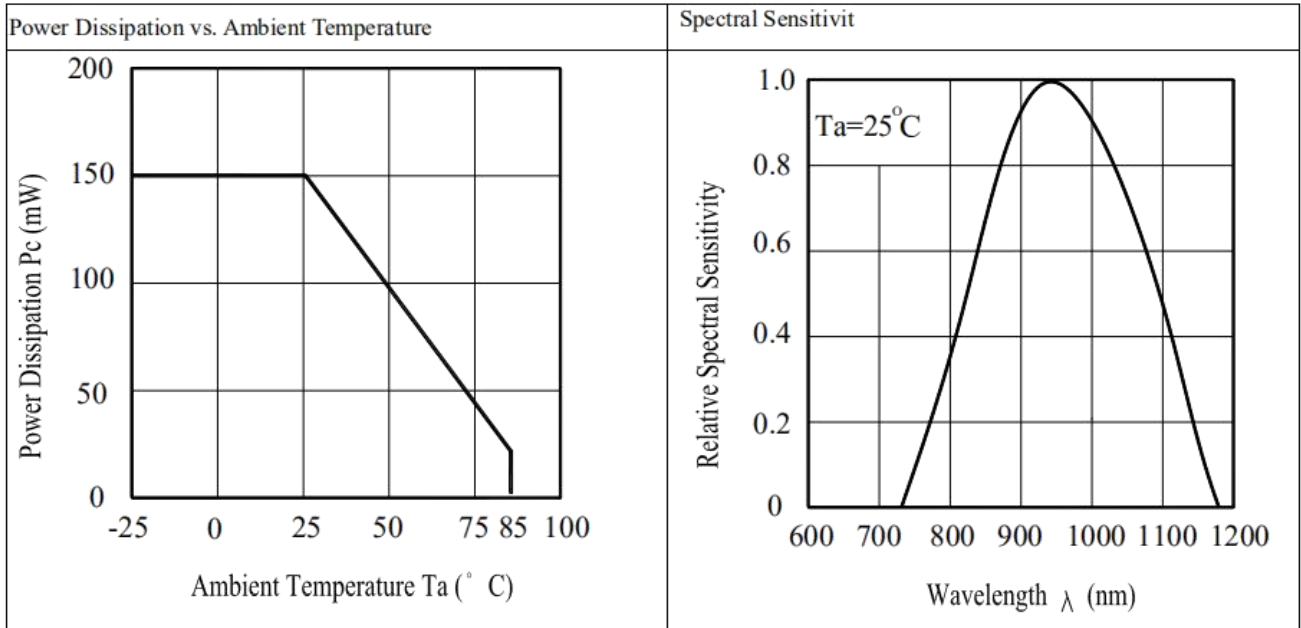
Parameter (Ta=25°C)	Symbol	Ratings	Unit
Power Dissipation at(or below) 25 Free Air Temperature	Pd	150	mW
Reverse Voltage	VR	30	V
Operating Temperature	Topr	-25~+85	°C
Storage Temperature	Tstg	-40~+100	°C
Lead Soldering Temperature (2mm form body for 5 seconds)	Tsol	260	°C

Electro-Optical Characteristics

Parameter (Ta=25°C)	Symbol	Condition	Min.	Typ.	Max.	Units
Range Of Spectral Bandwidth	$\lambda_{0.5}$	--	800	--	1200	nm
Wavelength Of Peak Sensitivity	λ_p	--		980		nm
Open-Circuit Voltage	V _{OC}	Ee=1mW/cm ² $\lambda_p=940\text{nm}$	--	0.44	--	V
Short-Circuit Current	I _{SC}	Ee=0.555mW/cm ² $\lambda_p=940\text{nm}$	--	10	--	μA
Reverse Light Current	I _L	Ee=1mW/cm ² $\lambda_p=940\text{nm}$ V _R =5V	--	70	--	μA
Reverse Dark Current	I _D	Ee=0mW/cm ² V _R =10V	--	--	10	nA
Reverse Breakdown Voltage	B _{VR}	Ee=0mW/cm ² I _R =100μA	30	170	--	V
Total Capacitance	C _t	Ee=0mW/cm ² V _R =5V f=1MHz	--	10	--	pF
Rise Time	t _r	VR=10V	--	10	--	nS
Fall Time	t _f	RL=1000 Ω	--	10	--	



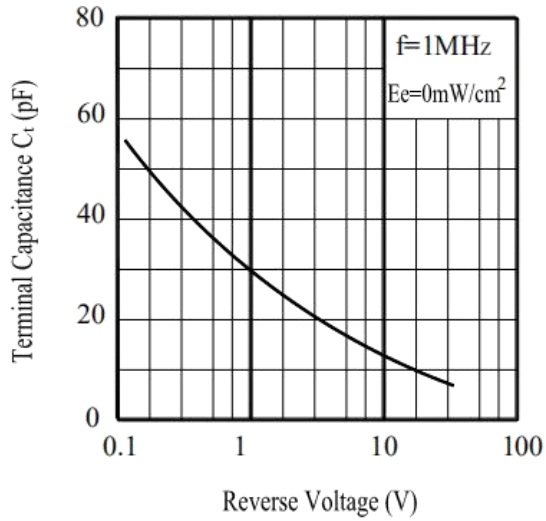
Typical Electrical/Optical/Characteristics Curves



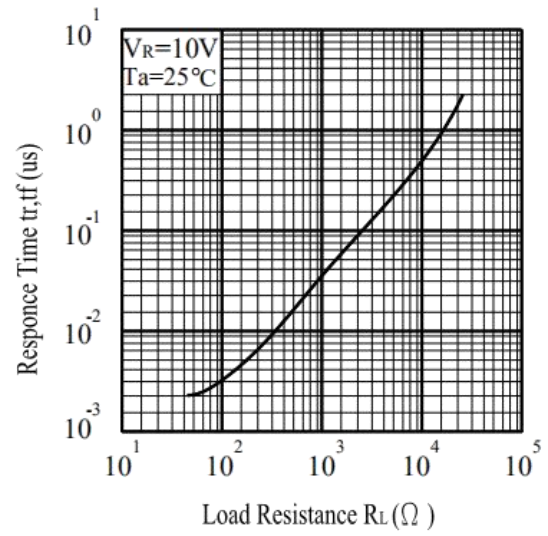


CHAU LIGHT Technical Data Sheet

Terminal Capacitance vs. Reverse Voltage



Response Time vs. Load Resistance



X-ON Electronics

Largest Supplier of Electrical and Electronic Components

Click to view similar products for [Infrared Receivers](#) category:

Click to view products by [Chau Light](#) manufacturer:

Other Similar products are found below :

[TSOP38436](#) [TSOP6136TR](#) [TSOP2456](#) [TSOP31456](#) [TSOP34356](#) [TSOP34456](#) [TSOP38336](#) [TSOP6130TT](#) [TSOP6940TT](#) [TSOP34438SS1V](#)
[GP1UX511QS](#) [TSOP34336SS1F](#) [TSSP57038ETT1](#) [TSOP57438ETT1](#) [TSOP37438HTT1](#) [TSOP6140TR](#) [TSOP53356](#) [TSOP53238](#)
[TSOP33238](#) [TSOP33256](#) [TSOP53256](#) [TSOP33138](#) [TSOP6133TT](#) [HL-PST-1608PT1F](#) [PT2424-6B](#) [TSOP37540QHTT1](#)
[E6C0805PRAC1UDA](#) [TSOP31136](#) [TSOP31140](#) [TSOP75238WTT](#) [RPM5537-H14E2A](#) [RPM6937-V4](#) [RPM7136-H4R](#) [RPM7238-H5R](#)
[TSOP4156](#) [TSOP6156TR](#) [TSOP75336WTT](#) [TSOP75338TR](#) [TSSP77038TT](#) [PD70-01C/TR7](#) [TSOP38138](#) [TSSP57P38TT1](#) [GP1UE292QKVF](#)
[GP1UM281XKVF](#) [GP1UM287RKVF](#) [GP1UM287XK](#) [TSOP59438](#) [TSOP58336](#) [TSOP38156](#) [PT19-21B/L41/TR8](#)