



ZPDP38B-S60

PIN Photodiode

Descriptions

The ZPDP38B-S60 is a high-output, high-speed silicon PIN photodiode mounted in a sidelooking package. The photodiode is small size, low profile and easy mounting.

Features

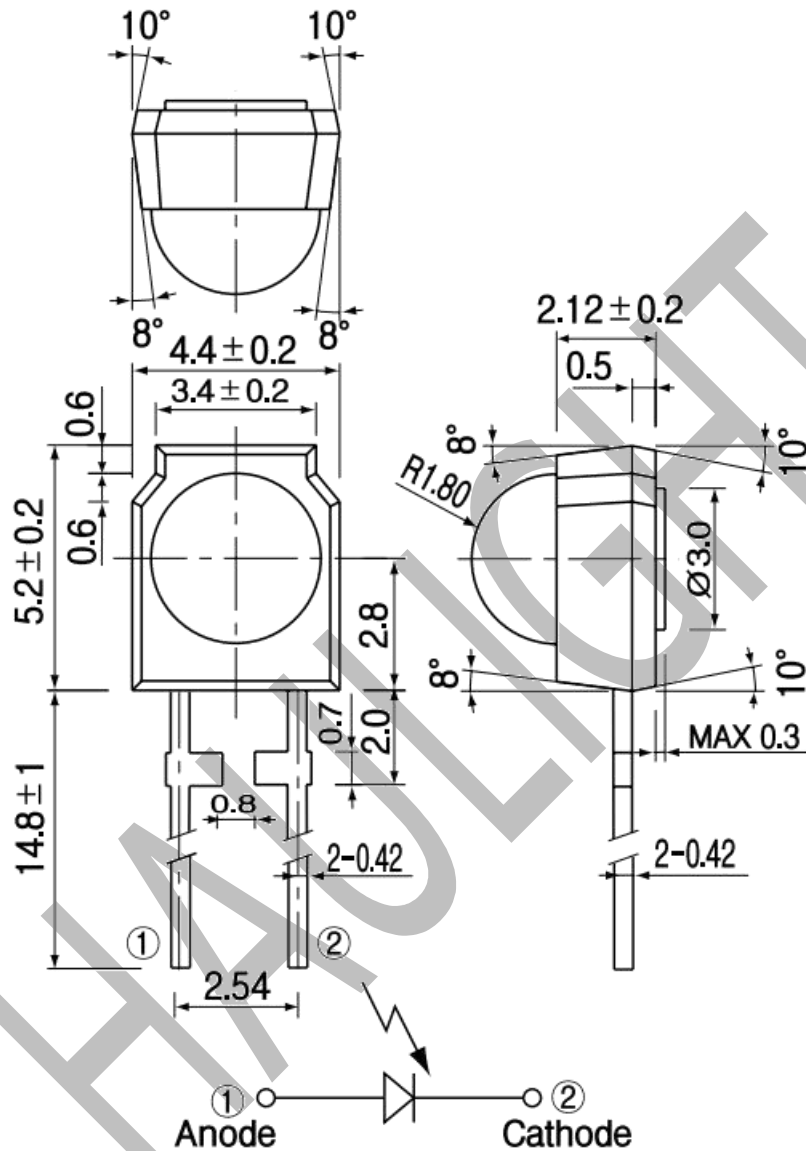
- High-output power
- High-speed response
- Wide angular response
- Low-cost
- Pb.Free
- Sidelooking plastic package.

Applications

- Remote control sensors
- Optical switches
- Photocoupler



Package Dimension



Notes:

1. All dimensions are in millimeters
2. Tolerances unless dimensions ± 0.3 mm
3. Lead spacing is measured where the lead emerge from the package



MAXIMUM RATINGS

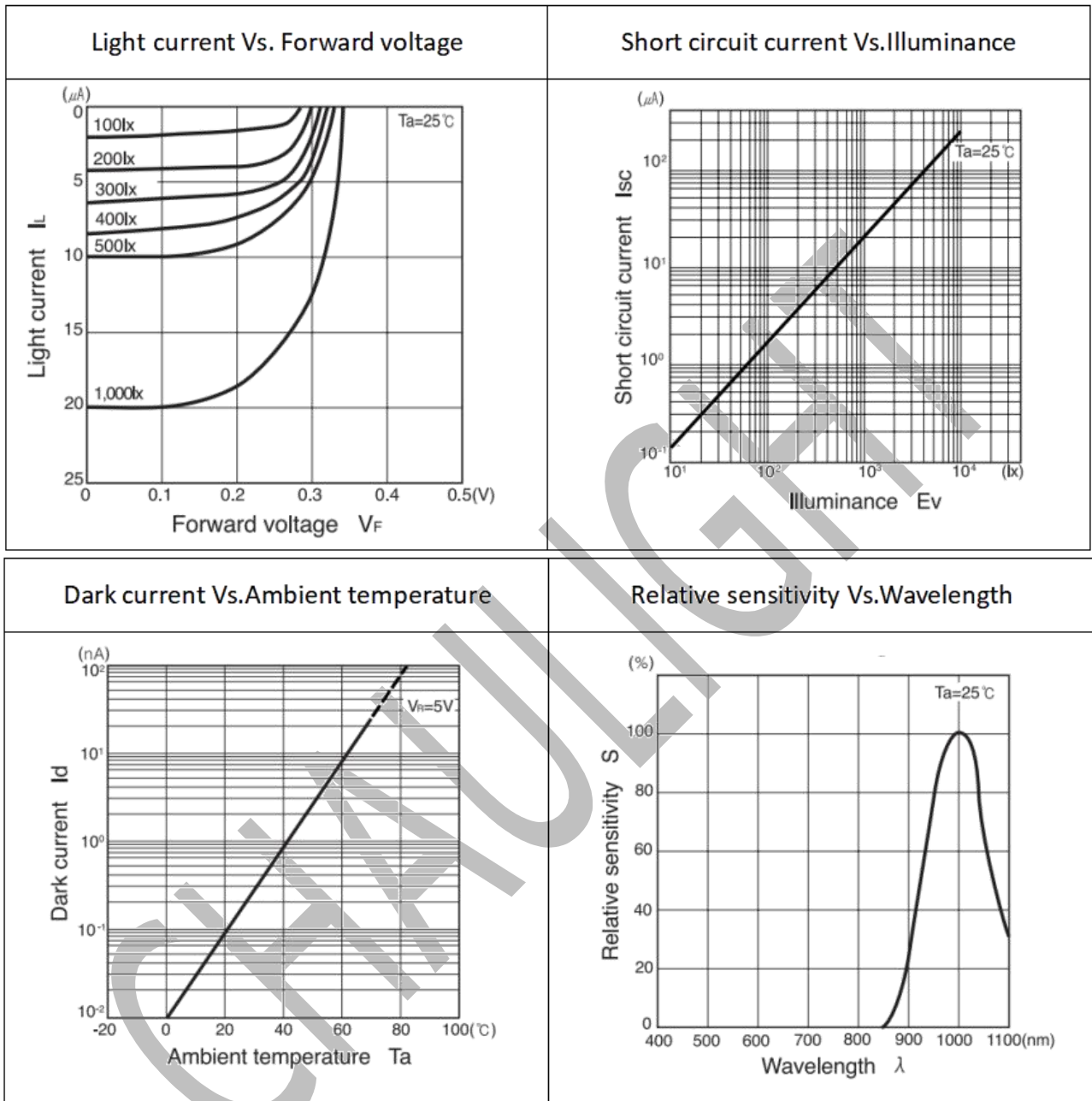
Item	Symbol	Ratings	Unit
Reverse voltage	V_R	35	V
Operating temp	T_{opr}	-30~+70	°C
Storage temp	T_{stg}	-40~+80	°C
Soldering temp.* 1	T_{sol}	260	°C

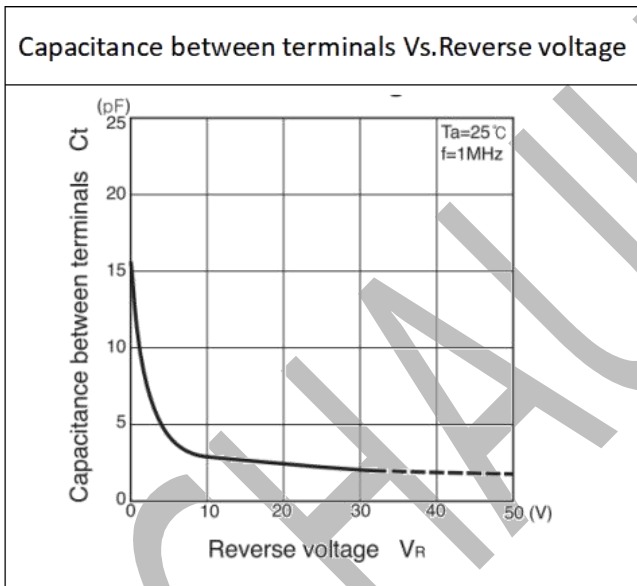
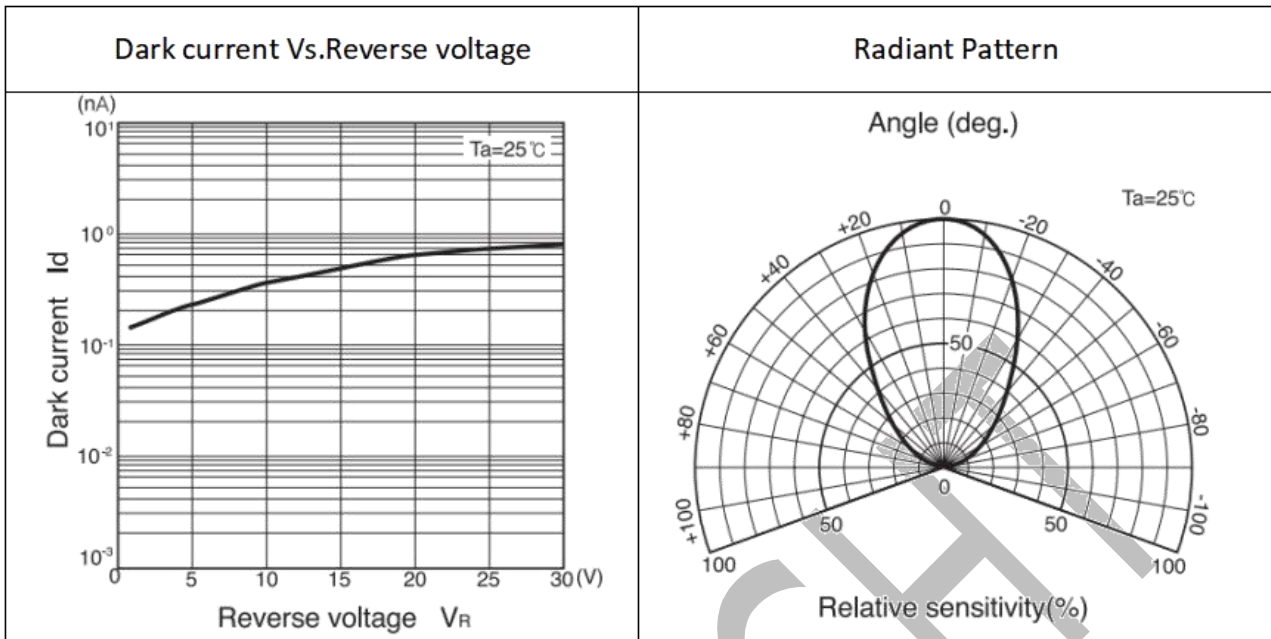
Electro-Optical Characteristics

Item	Symbol	Condition	Min.	Typ.	Max.	Units
Short circuit current	I_{sc}	$EV=1,000lx*2$	--	20	--	μA
Dark current	I_d	$V_R=10V$	--	--	100	nA
Spectral sensitivity	λ	--	880~1050			nm
Peak wavelength	λ_p			1000		nm
Half angle	$\Delta\theta$			± 35		deg



Typical Electrical/Optical/Characteristics Curves





Packing Quantity Specification

1. 1000PCS/1Bag, 5Bags/1Box
2. 10Boxes/1Carton

X-ON Electronics

Largest Supplier of Electrical and Electronic Components

Click to view similar products for [Photodiodes](#) category:

Click to view products by [Chau Light](#) manufacturer:

Other Similar products are found below :

[LTR-526AD](#) [OED-SP-7L](#) [LTR-536AB](#) [LTR-743DBM1-TA](#) [BPW 34 FAS-Z](#) [67-21SYGC-S349-TR8](#) [SFH 2200 A01](#) [HFD3081-108-XBA](#)
[BPW 34 S E9601](#) [LTR-546AD](#) [BPV23FL](#) [BPW 34 FAS](#) [BPW 34 FS](#) [IG17X1000S4I](#) [IG22X250S4I](#) [VTD205H](#) [VTD205KH](#) [VTP1232FH](#)
[VTP4085H](#) [1541201EEA400](#) [SFH 2400](#) [OP913WSL](#) [OP955](#) [OPR5910](#) [OPR5913](#) [PD15-21B/TR8](#) [PD3122FE000F](#) [PD70-01C/TR10](#) [PD70-01C/TR7](#) [LTR-536AD](#) [VTD206KH](#) [VTB1013H](#) [MTAPD-06-001](#) [MTAPD-06-010](#) [MTAPD-07-016](#) [MTD5010N](#) [MTD5052N](#) [BPV23NF](#)
[OP905](#) [LTR-516AD](#) [VTD34FH](#) [QSB34CGR](#) [SFH 213 FA](#) [PD15-22C/TR8](#) [SFH 2700 A01](#) [SFH 2700 FA A01](#) [SFH 2711 A01](#) [SFH 2240](#)
[OPR2100T](#) [QP50-6-SM](#)