



ZPT-2012C-10-Z3

0805 Package Phototransistor

Descriptions

ZPT-2012C-10-Z3 is a phototransistor in miniature SMD package which is molded in a water clear with flat top view lens.

The device is Spectrally matched to visible and infrared emitting diode.

Features

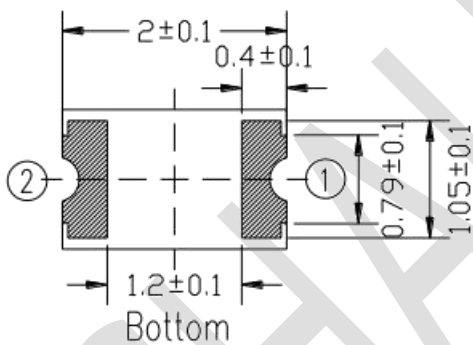
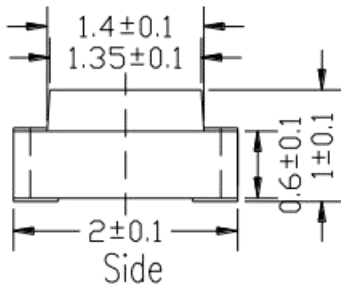
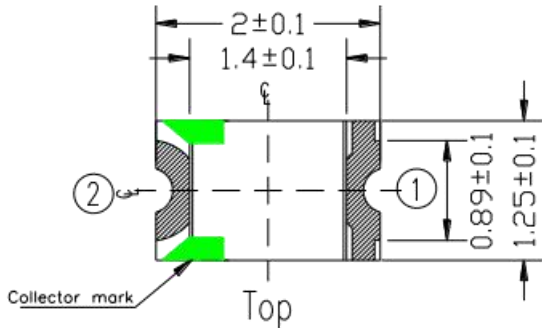
- Fast response time
- High photo sensitivity
- Small junction capacitance
- Pb free
- The product itself will remain within RoHS compliant version.
- Compliance with EU REACH

Applications

- Miniature switch
- Counters and sorter
- Position sensor
- Infrared applied system
- Encoder



Package Dimensions

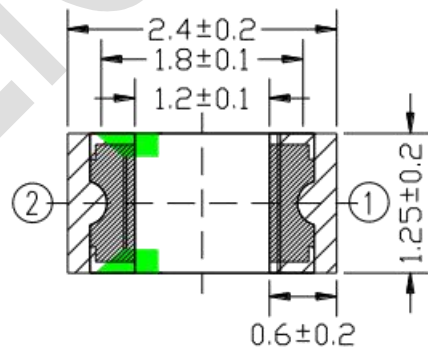


① Emitter

② Collector



Recommend Soldering Pad



- Notes:**
1. All dimensions are in millimeters
 2. Tolerances unless dimensions ± 0.1 mm
 3. Suggested pad dimension is just for reference only
Please modify the pad dimension based on individual need



Absolute Maximum Ratings (Ta=25°C)

Parameter	Symbol	Rating	Units
Collector-Emitter Voltage	V_{CEO}	30	V
Emitter-Collector-Voltage	V_{ECO}	5	V
Collector Current	I_C	20	mA
Operating Temperature	T_{opr}	-25 ~ +85	°C
Storage Temperature	T_{stg}	-40 ~ +85	°C
Soldering Temperature *1	T_{sol}	260	°C
Power Dissipation at(or below) 25°C Free Air Temperature	P_d	75	mW

Notes: *1:Soldering time \leq 5 seconds.

Electro-Optical Characteristics (Ta=25°C)

Parameter	Symbol	Condition	Min	Typ	Max	Unit
Rang Of Spectral Bandwidth	$\lambda_{0.5}$	---	400	---	1100	nm
Wavelength Of Peak Sensitivity	λ_p	---	---	940	---	nm
Collector-Emitter Breakdown Voltage	BV_{CEO}	$I_C=100\mu A$ $E_e=0mW/cm^2$	30	---	---	V
Emitter-Collector Breakdown Voltage	BV_{ECO}	$I_E=100\mu A$ $E_e=0mW/cm^2$	5	---	---	V
Collector-Emitter Saturation Voltage	$V_{CE(sat)}$	$I_C=2mA$ $E_e=1mW/cm^2$	---	---	0.4	V
Collector Dark Current	I_{CEO}	$V_{CE}=20V$ $E_e=0mW/cm^2$	---	---	100	nA
On State Collector Current	$I_{C(ON)}$	$V_{CE}=5V$ $E_e=1mW/cm^2$	0.3	1.0		mA



Typical Electro-Optical Characteristics Curves

Fig.1 Spectral Sensitivity

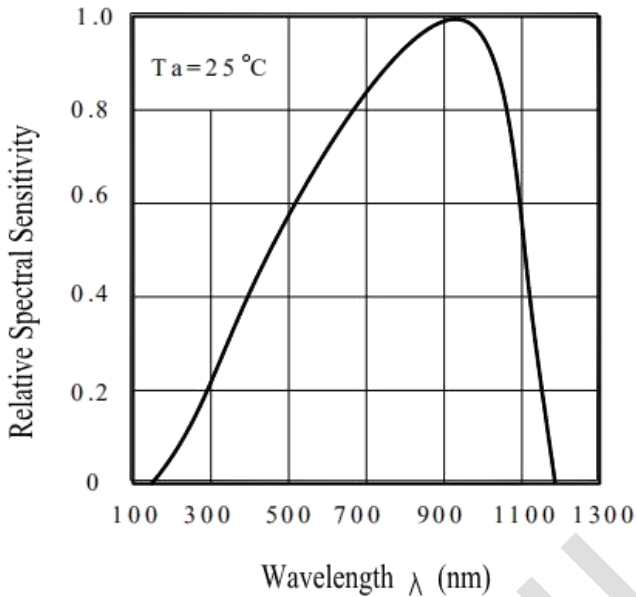


Fig.2 Collector Current vs Irradiance

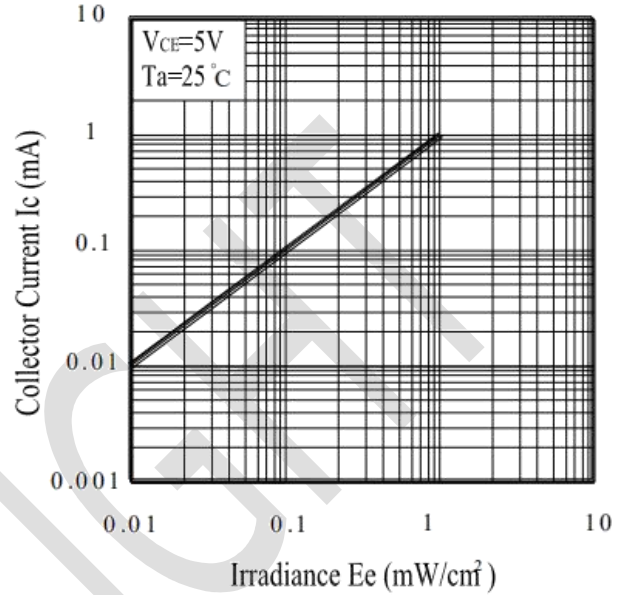
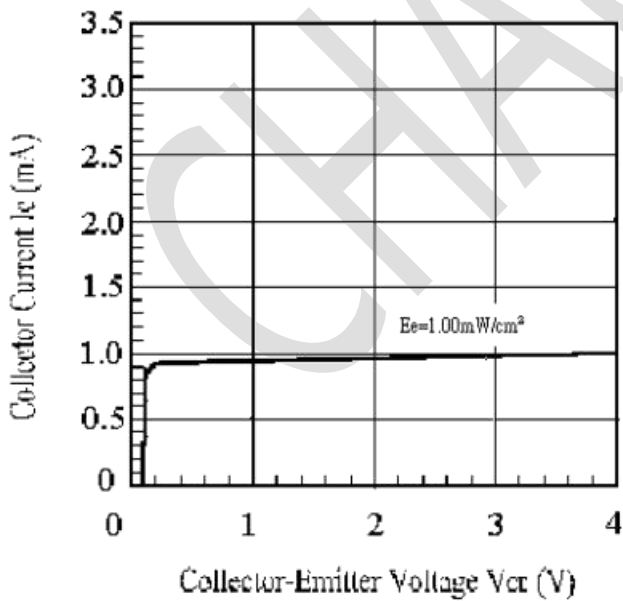
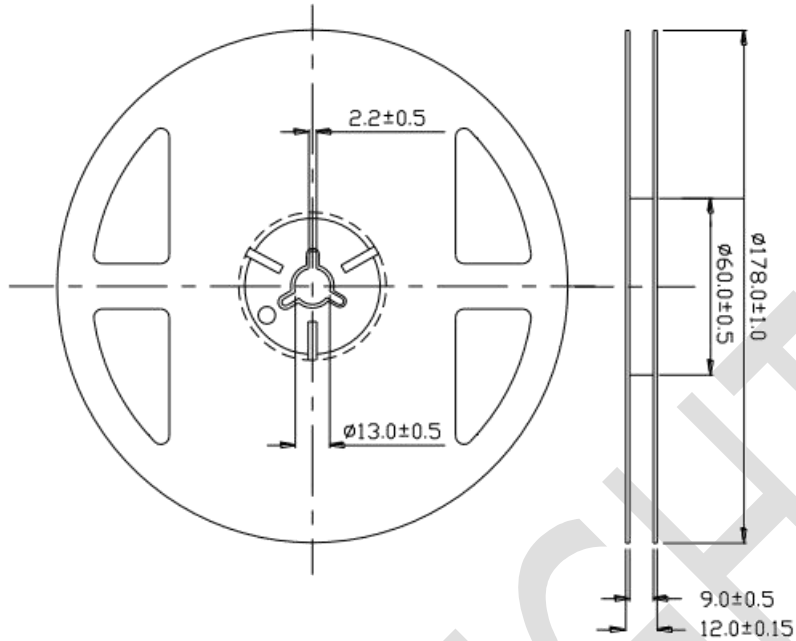


Fig.3 Collector Current vs. Collector-Emitter Voltage



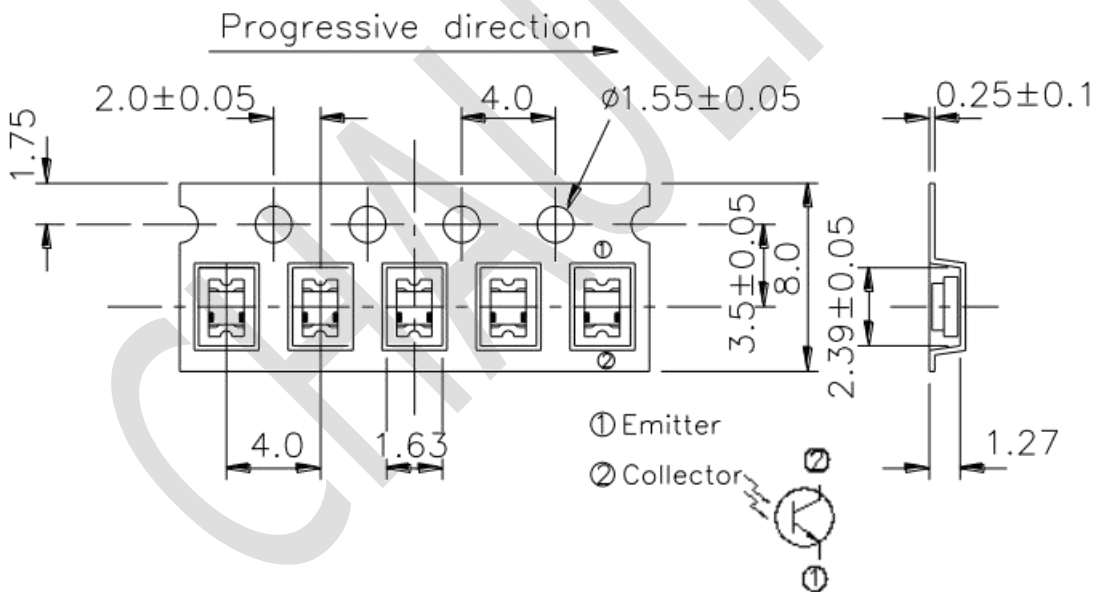


Package Dimensions



Note: The tolerances unless mentioned are ± 0.1 mm, Unit: mm

Carrier Tape Dimensions: (Loaded Quantity: 3000pcs/reel)



Note: The tolerances unless mentioned is ± 0.1 mm, Unit = mm

X-ON Electronics

Largest Supplier of Electrical and Electronic Components

Click to view similar products for [chau light manufacturer](#):

Other Similar products are found below :

[ZGY20002\(ITR \)](#) [ZIR053](#) [ZIRM138S-8](#) [ZGY9606\(ITR\)](#) [ZGY20005\(ITR\)](#) [ZGY9608-F\(ITR\)](#) [ZGY9803\(ITR\)](#) [ZGY8103\(ITR\)](#)
[ZGY9816\(ITR\)](#) [ZGY9707\(ITR\)](#) [ZGY1505\(ITR\)](#) [ZGY8406\(ITR\)](#) [ZGY9606-F\(ITR\)](#) [ZOS-T1305-A02\(ZD\)](#) [ZGY20001/T24\(ITR \)](#)
[ZGY133/T9\(PLT\)](#) [ZGY8105\(ITR\)](#) [ZGY133/T10\(PLT\)](#) [ZIR034](#) [ZGY135/T9\(PLR\)](#) [ZGY1203DT50A\(ITR\)](#) [ZOS-T1003-02\(ZD\)](#) [ST150\(ZD\)](#)
[ZOS-T1306-02\(ZD\)](#) [ZGY181\(ITR\)](#) [ZGY20005-F\(ITR\)](#) [ZGY152GK\(ITR\)](#) [ZGY180\(ITR\)](#) [ZGY1602\(ITR\)](#) [ZGY9908\(ITR\)](#) [ZOS-T1302-02-](#)
[F\(ZD\)](#) [ZGY20804-R\(ITR\)](#) [ZGY20001/T\(ITR \)](#) [ZGY20501\(ITR\)](#) [ZIR053C](#) [ZGY1120\(ITR\)](#) [ZIR034C](#) [ZOS-T1406-02\(ZD\)](#) [ZGY9904\(ITR\)](#)
[ZPT054B](#) [ZGY808TP\(ITR\)](#) [ZPT054C](#) [ZIR053-35](#) [ZGY9702\(ITR\)](#) [ZGY9608\(ITR\)](#) [ZIR053C-35](#) [ZPD808B](#) [ZIRP28C](#) [ZPD053B-90-S90](#)
[ZPD053B-60-S40](#)