



Technical Data Sheet

Infrared LED

ZPTP08C



Descriptions

The ZPTP08C is a phototransistor in miniature package which is molded in a water clear plastic with spherical top view lens. The device is spectrally matched to infrared emitting diode.

Features

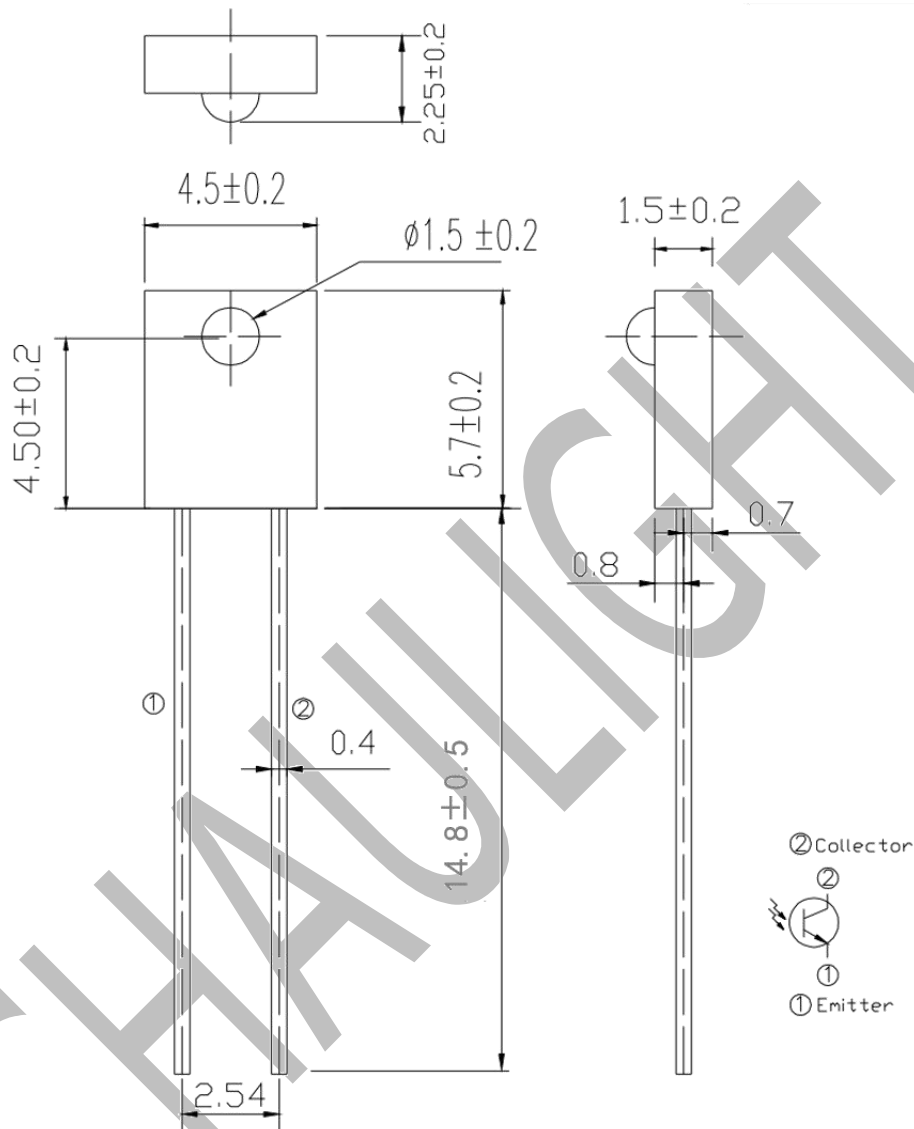
- Fast response time
- High sensitivity
- Small junction capacitance
- Low forward voltage
- Pb.Free
- This product itself will remain within RoHS compliant version.

Applications

- Mouse
- Optoelectronic switch
- Copiers
- Scanners
- Amusement machines



Package Dimension



Notes:

1. All dimensions are in millimeters
2. Tolerances unless dimensions ± 0.3 mm
3. Lead spacing is measured where the lead emerge from the package



Absolute Maximum Ratings

Parameter (Ta=25°C)	Symbol	Ratings	Unit
Power Dissipation at(or below) 25°C Free Air Temperature	Pc	75	mW
Collector-Emitter Voltage	V _{CEO}	30	V
Emitter-Collector-Voltage	V _{ECO}	5	V
Collector Current	I _C	40	mA
Operating Temperature	Topr	-40~+100	°C
Storage Temperature	Tstg	-40~+100	°C
Lead Soldering Temperature (2mm form body for 5 seconds)	Tsol	260	°C

Electro-Optical Characteristics

Paramete (Ta=25°C)	Symbol	Condition	Min.	Typ.	Max.	Units
Collector – Emitter Breakdown Voltage	BV _{CEO}	I _C =100μA Ee=0mW/cm ²	30	--	--	V
Emitter-Collector Breakdown Voltage	BV _{ECO}	I _C =100μA Ee=0mW/cm ²	5	--	--	V
Collector-Emitter Saturation Voltage	V _{CE(sat)}	I _C =100μA Ee=0mW/cm ²	--	--	0.4	V
Rise Time	t _r	V _{CE} =5V I _C =1mA R _L =1000Ω	--	15	--	μS
Fall Time	t _f	V _{CE} =5V I _C =1mA R _L =1000Ω	--	15	--	μS
Collector Dark Current	I _{CEO}	Ee=0mW/cm ² V _{CE} =20V	--	--	100	nA
On State Collector Current	I _{c(ON)}	Ee=0.555mW/cm ² V _{CE} =5V	0.8	--	5.0	mA
Rang Of Spectral Bandwidth	λ _{0.5}	--	400	--	1100	nm
Wavelength of Peak Sensitivity	λ _p	--	--	940	--	nm



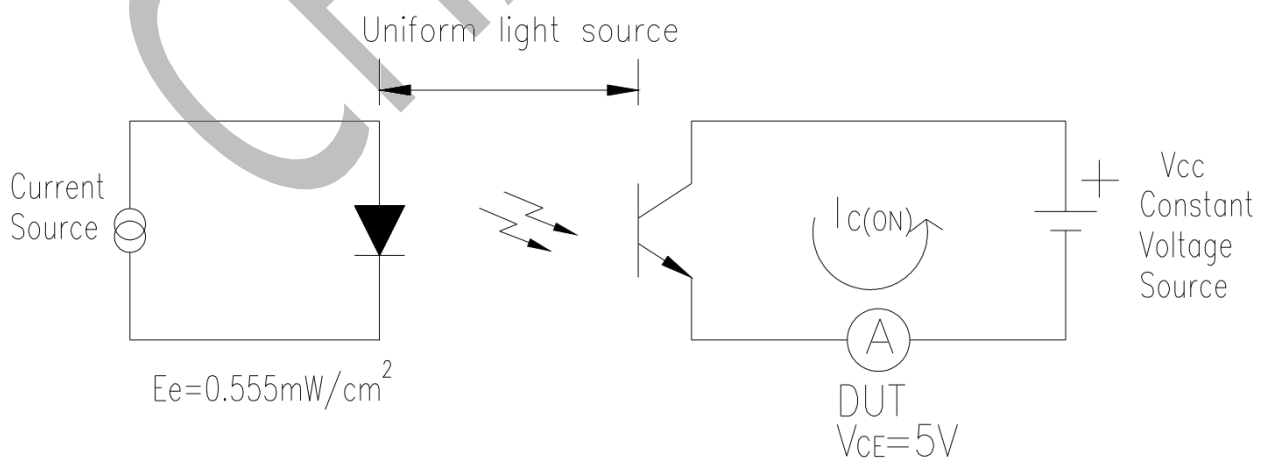
Rank

Parameter	Symbol	Condition	Min.	Max.	Unit
BIN4	$I_c(ON)$	$V_{CE}=5V, E_e=0.555mW/cm^2$	1.56	3.12	mA

Test Method For $I_c(ON)$:

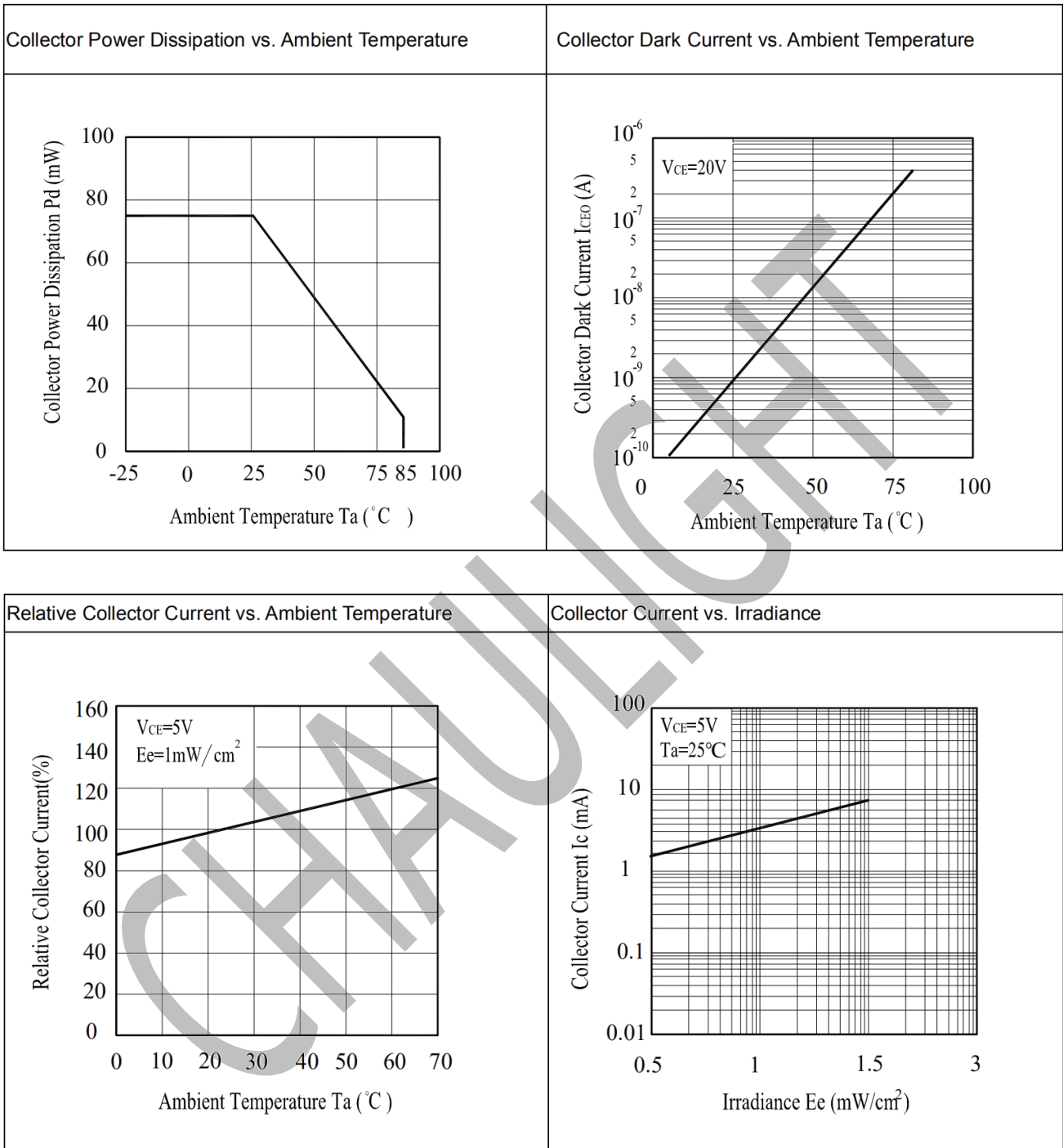
Condition: $V_{CE}=5V, E_e=0.555mW/cm^2$

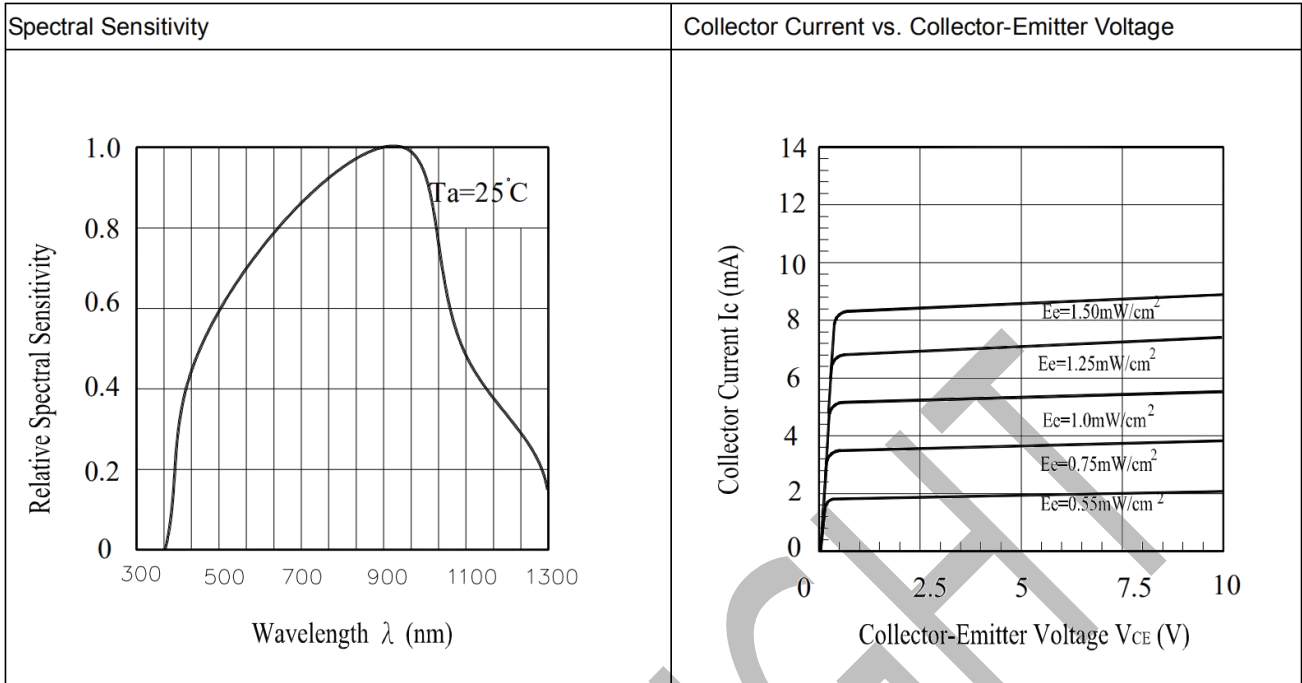
Light current test method for PT:





Typical Electrical/Optical/Characteristics Curves





Packing Quantity Specification

1. 1000PCS/1Bag, 8Bags/1Box
2. 10Boxes/1Carton

X-ON Electronics

Largest Supplier of Electrical and Electronic Components

Click to view similar products for [Infrared Receivers](#) category:

Click to view products by [Chau Light](#) manufacturer:

Other Similar products are found below :

[TSOP38436](#) [TSOP6136TR](#) [TSOP2456](#) [TSOP31456](#) [TSOP34356](#) [TSOP34456](#) [TSOP38336](#) [TSOP6130TT](#) [TSOP6940TT](#) [TSOP34438SS1V](#)
[GP1UX511QS](#) [TSOP34336SS1F](#) [TSSP57038ETT1](#) [TSOP57438ETT1](#) [TSOP37438HTT1](#) [TSOP6140TR](#) [TSOP53356](#) [TSOP53238](#)
[TSOP33238](#) [TSOP33256](#) [TSOP53256](#) [TSOP33138](#) [TSOP6133TT](#) [HL-PST-1608PT1F](#) [PT2424-6B](#) [TSOP37540QHTT1](#)
[E6C0805PRAC1UDA](#) [TSOP31136](#) [TSOP31140](#) [TSOP75238WTT](#) [RPM5537-H14E2A](#) [RPM6937-V4](#) [RPM7136-H4R](#) [RPM7238-H5R](#)
[TSOP4156](#) [TSOP6156TR](#) [TSOP75336WTT](#) [TSOP75338TR](#) [TSSP77038TT](#) [PD70-01C/TR7](#) [TSSP57P38TT1](#) [GP1UE292QKVF](#)
[GP1UM281XKVF](#) [GP1UM287RKVF](#) [GP1UM287XK](#) [TSOP59438](#) [TSOP58336](#) [TSOP38156](#) [PT19-21B/L41/TR8](#) [TSOP37236HTT1](#)