



Technical Data Sheet

Infrared LED

ZPTP68C

Descriptions

The ZPTP68C is a high speed and high sensitive NPN silicon phototransistor molded in a standard $\phi 5$ mm package. Due to its clear epoxy the device is sensitive to visible and near infrared radiation.

Features

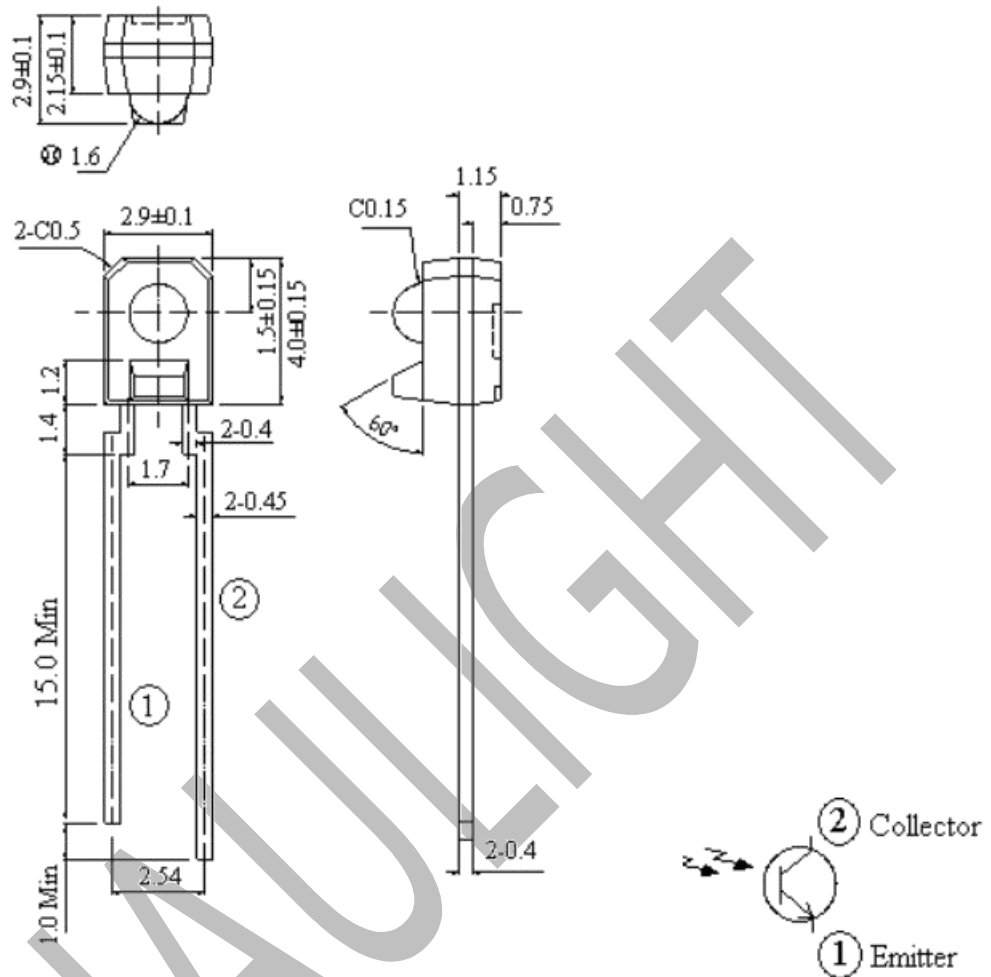
- Fast response time
- High photo sensitivity
- Pb.Free
- This product itself will remain within RoHS compliant version.

Applications

- Infrared applied system
- Optoelectronic switch
- Copiers
- Scanners
- Amusement machines



Package Dimension



Notes:

1. All dimensions are in millimeters
2. Tolerances unless dimensions ± 0.3 mm
3. Lead spacing is measured where the lead emerge from the package



Absolute Maximum Ratings

Parameter (Ta=25°C)	Symbol	Ratings	Unit
Power Dissipation at(or below) 25 Free Air Temperature	Pd	75	mW
Collector-Emitter Voltage	V _{CEO}	30	V
Emitter-Collector-Voltage	V _{ECO}	5	V
Operating Temperature	T _{opr}	-25~+85	°C
Storage Temperature	T _{stg}	-40~+100	°C
Lead Soldering Temperature (2mm form body for 5 seconds)	T _{sol}	260	°C

Electro-Optical Characteristics

Parameter (Ta=25°C)	Symbol	Condition	Min.	Typ.	Max.	Units
Collector – Emitter Breakdown Voltage	BV _{CEO}	I _C =100μA E _e =0mW/cm ²	30	--	--	V
Emitter-Collector Breakdown Voltage	BV _{ECO}	I _C =100μA E _e =0mW/cm ²	5	--	--	V
Collector-Emitter Saturation Voltage	V _{CE(sat)}	I _C =100μA E _e =0mW/cm ²	--	--	0.4	V
Rise Time	t _r	V _{CE} =5V I _C =1mA R _L =1000Ω	--	15	--	μS
Fall Time	t _f	V _{CE} =5V I _C =1mA R _L =1000Ω	--	15	--	μS
Collector Dark Current	I _{CEO}	E _e =0mW/cm ² V _{CE} =20V	--	--	100	nA
On State Collector Current	I _{c(ON)}	E _e =0.555mW/cm ² V _{CE} =5V	0.513		3.443	mA
Rang Of Spectral Bandwidth	λ _{0.5}	--	400	--	1100	nm
Wavelength of Peak Sensitivity	λ _p	--	--	940	--	nm



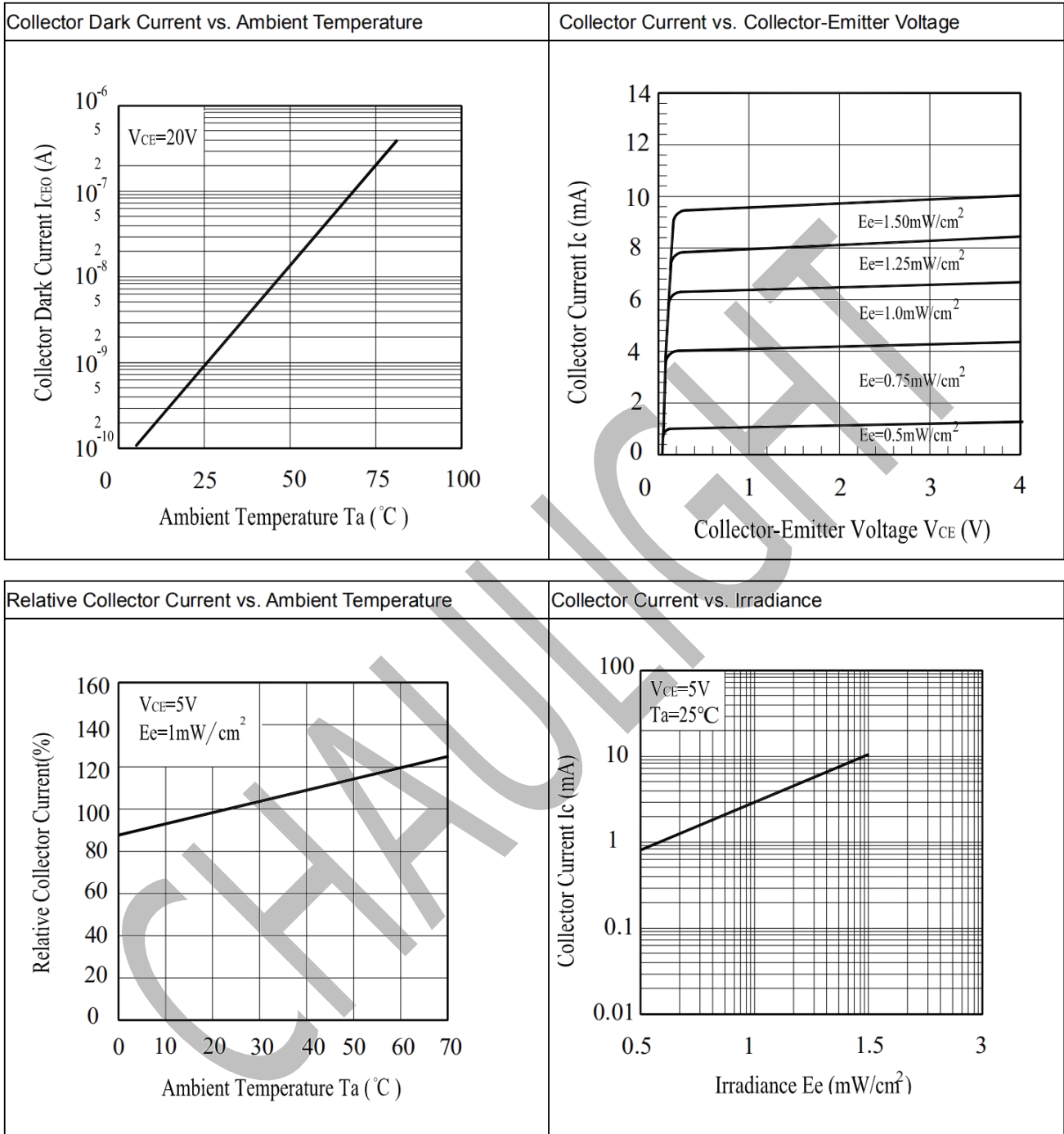
Rank

Parameter	Symbol	Condition	Min.	Max.	Unit
6-1	I _c (ON)	E _e =0.555mW/cm ² V _{CE} =5V	2.115	3.443	mA

CHAU LIGHT



Typical Electrical/Optical/Characteristics Curves



Packing Quantity

1. 1000PCS/1Bag, 8Bags/1Box
2. 10Boxes/1Carton

X-ON Electronics

Largest Supplier of Electrical and Electronic Components

Click to view similar products for [chau light manufacturer](#):

Other Similar products are found below :

[ZGY20002\(ITR \)](#) [ZIR053](#) [ZIRM138S-8](#) [ZGY9606\(ITR\)](#) [ZGY20005\(ITR\)](#) [ZGY9608-F\(ITR\)](#) [ZGY9803\(ITR\)](#) [ZGY8103\(ITR\)](#)
[ZGY9816\(ITR\)](#) [ZGY9707\(ITR\)](#) [ZGY1505\(ITR\)](#) [ZGY8406\(ITR\)](#) [ZGY9606-F\(ITR\)](#) [ZOS-T1305-A02\(ZD\)](#) [ZGY20001/T24\(ITR \)](#)
[ZGY133/T9\(PLT\)](#) [ZGY8105\(ITR\)](#) [ZGY133/T10\(PLT\)](#) [ZIR034](#) [ZGY135/T9\(PLR\)](#) [ZGY1203DT50A\(ITR\)](#) [ZOS-T1003-02\(ZD\)](#) [ST150\(ZD\)](#)
[ZOS-T1306-02\(ZD\)](#) [ZGY181\(ITR\)](#) [ZGY20005-F\(ITR\)](#) [ZGY152GK\(ITR\)](#) [ZGY180\(ITR\)](#) [ZGY1602\(ITR\)](#) [ZGY9908\(ITR\)](#) [ZOS-T1302-02-](#)
[F\(ZD\)](#) [ZGY20804-R\(ITR\)](#) [ZGY20001/T\(ITR \)](#) [ZGY20501\(ITR\)](#) [ZIR053C](#) [ZGY1120\(ITR\)](#) [ZIR034C](#) [ZOS-T1406-02\(ZD\)](#) [ZGY9904\(ITR\)](#)
[ZPT054B](#) [ZGY808TP\(ITR\)](#) [ZPT054C](#) [ZIR053-35](#) [ZGY9702\(ITR\)](#) [ZGY9608\(ITR\)](#) [ZIR053C-35](#) [ZPD808B](#) [ZIRP28C](#) [ZPD053B-90-S90](#)
[ZPD053B-60-S40](#)