

Chengx[®]

东莞承兴电子有限公司

DONG GUAN SHI CHENG XING ELECTRONICS CO.,LTD

承 认 书

客户名称：立创

客户料号：详见产品规格书

零件名称：片式铝电解电容器

承兴料号：详见产品规格书

承认规格：VT Series

制作日期：2022年6月21日

承办单位：工程部

版 本：A-0

| 盖章处 | 核 准 | 审 核 | 制 作 |
|-----|-----|-----|-----|
| | 王根林 | 梁建廷 | 卢英桃 |

公司地址：广东省东莞市长安镇沙头裕成路1号承兴电子高新技术科技园

TEL: (0769)81604900、81604911、81604922

FAX: (0769)85648558、85498863

| 客户承认栏 Approved by | | | |
|----------------------|-----|-----|-----|
| 盖章处 | 核 准 | 审 核 | 承 办 |
| | | | |

承认盖章后请回传，感谢！

No.: CX-YX-0910-2.0

Part Number System (产品编码)

| | | | | | | | | | | | | | | | | | | | | |
|--------|---|------------|---|------|---|---------|---|-----------|----|------|----|--------|----|-------|----|-------|----|--------|----|----|
| 1 | 2 | 3 | 4 | 5 | 6 | 7 | 8 | 9 | 10 | 11 | 12 | 13 | 14 | 15 | 16 | 17 | 18 | 19 | 20 | 21 |
| SERIES | | CAPCITANCE | | TOL. | | VOLTAGE | | CASE SIZE | | TYPE | | SLEEVE | | COLOR | | SHAPE | | OTHERS | | |

| Series | | Cap(MFD) | Code | Tolerance | Code | Voltage | Code | Case Size | | Feature Code | | Background | Code | Special | Code |
|--------|----|----------|------|-----------|------|---------|------|-----------|-----------|--------------|----------------------|--------------|--------------------|-----------------|------|
| LG | LR | 0.1 | 104 | ±5% | J | 4 | 004 | Liameten | Code | Bulk | RRO | Black | H | No special | PO |
| ER | PR | 0.22 | 224 | ±10% | K | 6.3 | 6R3 | 4 | C | PCB Termial | | Green | L | Other trademark | WO |
| PH | MV | 0.33 | 334 | ±15% | L | 8 | 008 | 5 | D | Ammo Taping | | Violet | Z | Ø8 F=2.5mm | XO |
| VT | VD | 0.47 | 474 | ±20% | M | 10 | 010 | 6.3 | E | 2.0mm Pitch | T20 | Light purple | | | |
| SM | SX | 1 | 105 | ±30% | N | 16 | 016 | 8 | F | 2.5mm Pitch | T25 | Navy blue | S | Finite height | GO |
| KS | KF | 2.2 | 225 | -40% | W | 25 | 025 | 10 | G | 3.5mm Pitch | T35 | Sky blue | T | | |
| GM | KM | 3.3 | 335 | 0 | | A | 35 | 035 | 12.5 | I | 5.0mm Pitch | T50 | Coffee | K | |
| GS | EF | 4.7 | 475 | -20% | C | | 50 | 050 | 16 | K | Lead Cut & Form | | Orange red | | |
| ZF | GR | 10 | 106 | 0 | | X | 63 | 063 | 18 | L | C-Type | GXX | Transparent blue | M | |
| LF | GF | 22 | 226 | -20% | V | | 80 | 080 | 22 | N | E-Type | EXX | Transparent yellow | Y | |
| EL | AL | 33 | 336 | 10% | | R | 100 | 100 | 25 | O | V-Type | VXX | | | |
| KL | HL | 47 | 476 | -20% | I | | 120 | 120 | 30 | P | Q-Type | QXX | Printing color | | |
| FL | GL | 100 | 107 | 40% | | G | 160 | 160 | 35 | Q | P-Type | PXX | Black | 1 | |
| ML | ZL | 220 | 227 | -10% | 5D | | 200 | 200 | 40 | R | W-Type | WXX | White | 2 | |
| PL | RL | 330 | 337 | 20% | | 5E | 220 | 220 | 51 | S | K-Type | KXX | Silvery | 3 | |
| LM | LK | 680 | 687 | 0 | 5T | | 250 | 250 | 63.5 | T | H-Type | HXX | Golden | 4 | |
| LH | LL | 1500 | 158 | 20% | | 5E | 315 | 315 | 76 | U | Y-Type | YXX | Rubber Shape Code | | |
| NM | NS | 22000 | 229 | 0 | 5T | | 350 | 350 | 90 | X | Sleeve Material Code | | Plane | F | |
| NP | NH | 33000 | 339 | 50% | | 5T | 400 | 400 | Len. (mm) | Code | PET | E | Convex | T | |
| BP | PZ | 47000 | 479 | -5+20 | 5T | | 420 | 420 | 6 | 6 | PVC | V | Snap-in | S | |
| MZ | FZ | 100000 | 10T | | | 5T | 450 | 450 | 5.4 | 5D | | | V-chip | V | |
| LZ | PF | 150000 | 15T | | 5T | | 500 | 500 | 5.5 | 5E | | | | | |
| AP | PE | 220000 | 22T | | | 5T | 550 | 550 | 5.8 | 5T | | | | | |
| LS | LP | 330000 | 33T | | 5T | | 600 | 600 | 6.2 | 6B | | | | | |
| FP | PN | 1000000 | 10M | | | 5T | | | 7.7 | 7G | | | | | |
| MN | MG | 2200000 | 22M | | 5T | | | | 9 | 9 | | | | | |
| MB | PG | 180 | 187 | | | 5T | | | 10.5 | A5 | | | | | |
| | | | | | 5T | | | | 12 | 12 | 16. 17. 18 CODE | | | | |
| | | | | | | 5T | | | 12.5 | O5 | Polymer | NB2 | | | |
| | | | | | 5T | | | | 13.5 | D5 | V-CHIP | NB1 | | | |
| | | | | | | 5T | | | 14.5 | E5 | | | | | |
| | | | | | 5T | | | | 15.5 | F5 | | | | | |
| | | | | | | 5T | | | 16 | 16 | | | | | |
| | | | | | 5T | | | | 16.5 | G5 | | | | | |
| | | | | | | 5T | | | 17 | 17 | | | | | |
| | | | | | 5T | | | | 20 | 20 | | | | | |
| | | | | | | 5T | | | 21 | 21 | | | | | |
| | | | | | 5T | | | | 25 | 25 | | | | | |
| | | | | | | 5T | | | 30 | 30 | | | | | |
| | | | | | 5T | | | | 35 | 35 | | | | | |
| | | | | | | 5T | | | 40 | 40 | | | | | |
| | | | | | 5T | | | | 45 | 45 | | | | | |

| 序号 No | 目录 INDEX | 页 page |
|----------|--|-----------|
| 1 | 概述 SCOPE | 3 |
| 2 | 外形尺寸图及尺寸表 Case size table | 3 |
| 3 | 技术性能 SPECIFICATIONS | 4 |
| 4 | 称电容量、额定电压、额定纹波电流与外形尺寸对应表 Nominal capacitance, rated voltage, rated ripple current and case size table | 5-6 |
| 5 | 构造图及材料表 Frame drawing and materials | 7 |
| 6 | 试验方法及要求 TESTS | 8-11 |
| 7 | 标志 Marking | 12 |
| 8 | 片式铝电解电容的编带 V- Chip Type Aluminum Electrolytic Capacitors | 13 |

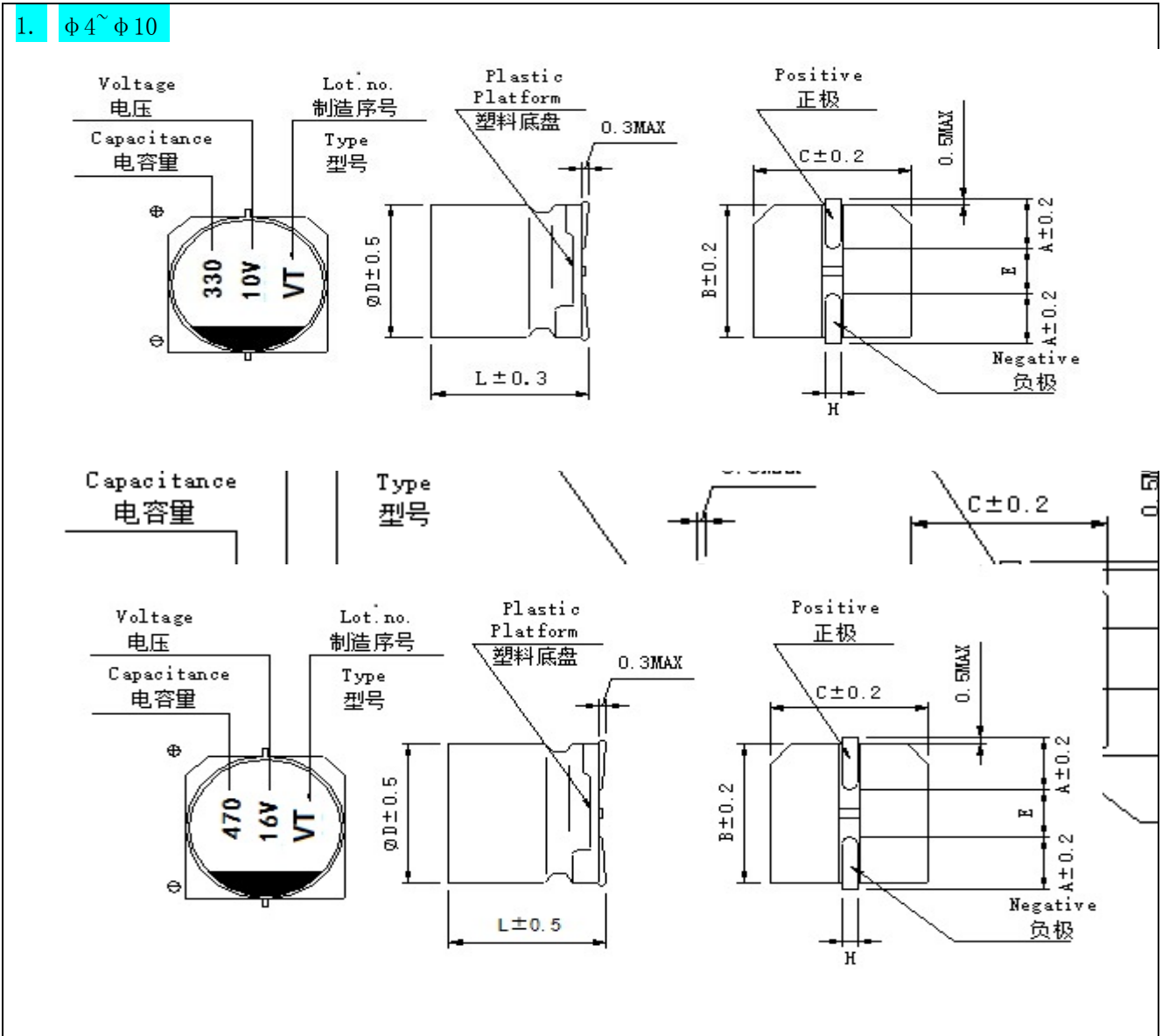
一、概述 SCOPE

本产品规格书适用于东莞承兴电子科技有限公司VT型片式铝电解电容器产品。

The product specification is adapted to series VT V-CHIP Aluminum Electrolytic Capacitors of DongGuanShiChengXing Electrolytic CO.LTD

二、外形图及尺寸表 Case size table

1. $\phi 4 \sim \phi 10$



单位:mm

| ITEM | 4 × 5.4 | 5 × 5.4 | 6.3 × 5.4 | 6.3 × 7.7 | 6.3 × 10.5 | 8 × 10.5 | 8 × 12.5 | 10 × 10.5 | 10 × 12.5 | 12.5 × 13.5 | 12.5 × 16.5 | 16 × 16.5 | 18 × 16.5 | 18 × 21.5 | |
|------|---------|---------|-----------|-----------|------------|-----------|----------|-----------|-----------|-------------|-------------|-----------|-----------|-----------|--|
| A | 1.8 | 2.1 | 2.4 | 2.4 | 2.4 | 2.9 | 2.9 | 3.2 | 3.2 | 4.8 | 4.8 | 5.8 | 6.8 | 6.8 | |
| B | 4.3 | 5.3 | 6.6 | 6.6 | 6.6 | 8.3 | 8.3 | 10.3 | 10.3 | 13 | 13 | 17 | 19 | 19 | |
| C | 4.3 | 5.3 | 6.6 | 6.6 | 6.6 | 8.3 | 8.3 | 10.3 | 10.3 | 13 | 13 | 17 | 19 | 19 | |
| E | 1.0 | 1.3 | 2.2 | 2.2 | 2.2 | 3.1 | 3.1 | 4.5 | 4.5 | 4.4 | 4.4 | 6.4 | 6.4 | 6.4 | |
| L | 5.4 | 5.4 | 5.4 | 7.7 | 10.5 | 10.5 | 12.5 | 10.5 | 12.5 | 13.5 | 16.5 | 16.5 | 16.5 | 21.5 | |
| H | 0.5~0.8 | | | | | 0.8 ~ 1.1 | | | | | 1.1~1.4 | | | | |

三、 技术性能 Specifications

| 项目 Items | 特性 Characteristics | | | | | | | | | | |
|--|--|------|------|------|------|------|------|------|------|------|------|
| 工作温度范围 Operating Temperature Range | -40°C ~ 105°C | | | | | | | | | | |
| 额定电压范围 Rated Voltage Range | 4V ~ 100V | | | | | | | | | | |
| 标称电容量范围 Nominal Capacitance Range | 0.1 ~ 8200 μ F | | | | | | | | | | |
| 标称电容量允许偏差 Nominal Capacitance Tolerance | $\pm 20\%$ (20°C, 120HZ) | | | | | | | | | | |
| 漏电流 Leakage Current | $I \leq 0.01C_R V_R$ or $3(\mu A)$, 取较大者 (施加额定电压 2 分钟) C_R : 标称电容量 (μF) U_R : 额定电压 (V) $I \leq 0.01C_R V_R$ or $3(\mu A)$ whichever is greater (After 2 minutes' application of rated voltage) C_R : Nominal Capacitance (μF) U_R : Rated voltages (V) | | | | | | | | | | |
| 损耗角正切 ($\text{tg } \delta$) Dissipation Factor (Max) 20°C, 120HZ | U_R (V) | 4 | 6.3 | 10 | 16 | 25 | 35 | 50 | 63 | 80 | 100 |
| | $\text{tg } \delta$ | 0.35 | 0.28 | 0.24 | 0.20 | 0.16 | 0.14 | 0.12 | 0.12 | 0.12 | 0.12 |
| | 容量大于 1000 μ F 者, 每增加 1000 μ F, 其损耗角正切值增加 0.02 When nominal capacitance exceeds 1000 μ F, add 0.02 to the value above for each 1000 μ F increase | | | | | | | | | | |

产品规格书 Product Specification

四、称电容量、额定电压、额定纹波电流与外形尺寸对应表

Nominal capacitance, rated voltage, rated ripple current and case size table

| V μF | 4 | | 6.3 | | 10 | | 16 | | 25 | | 35 | | 50 | | |
|---------|-----------|-------------------|-----------|-------------------|-----------|-------------------|-----------|-------------------|-----------|-------------------|-----------|-------------------|-----------|-------------------|----|
| | D×L mm | I [~] mA | D×L mm | I [~] mA | D×L mm | I [~] mA | D×L mm | I [~] mA | D×L mm | I [~] mA | D×L mm | I [~] mA | D×L mm | I [~] mA | |
| 0.1 | | | | | | | | | | | | | 4×5.4 | 2.3 | |
| 0.22 | | | | | | | | | | | | | 4×5.4 | 3.4 | |
| 0.33 | | | | | | | | | | | | | 4×5.4 | 4.1 | |
| 0.47 | | | | | | | | | | | | | 4×5.4 | 5 | |
| 1.0 | | | | | | | | | | | | | 4×5.4 | 10 | |
| 2.2 | | | | | | | | | | | | | 4×5.4 | 16 | |
| 3.3 | | | | | | | | | | | | 4×5.4 | 13 | 4×5.4 | 16 |
| 4.7 | | | | | | | | | | 4×5.4 | 22 | 4×5.4 | 22 | 4×5.4 | 16 |
| | | | | | | | | | | | | | 5×5.4 | 23 | |
| 10 | | | | | | | 4×5.4 | 28 | | 4×5.4 | 22 | 4×5.4 | 22 | 5×5.4 | 25 |
| | | | | | | | | | | 5×5.4 | 28 | 5×5.4 | 30 | 6.3×5.4 | 32 |
| 22 | | | 4×5.4 | 29 | 4×5.4 | 28 | 4×5.4 | 28 | 5×5.4 | 32 | 5×5.4 | 45 | 6.3×5.4 | 35 | |
| | | | | | 5×5.4 | 30 | 5×5.4 | 39 | 6.3×5.4 | 55 | 6.3×5.4 | 60 | 6.3×7.7 | 51 | |
| 33 | 4×5.4 | 31 | 4×5.4 | 30 | 4×5.4 | 29 | 5×5.4 | 35 | 5×5.4 | 35 | 6.3×5.4 | 60 | 6.3×7.7 | 70 | |
| | | | 5×5.4 | 34 | 5×5.4 | 34 | | | 6.3×5.4 | 65 | | | | | |
| 47 | 4×5.4 | 31 | 4×5.4 | 32 | 4×5.4 | 30 | 5×5.4 | 45 | 5×5.4 | 35 | 6.3×5.4 | 65 | 6.3×7.7 | 80 | |
| | | | 5×5.4 | 46 | 5×5.4 | 45 | 6.3×5.4 | 70 | 6.3×5.4 | 70 | 6.3×7.7 | 80 | | | |
| 68 | 4×5.4 | 35 | 5×5.4 | 46 | 5×5.4 | 46 | 6.3×5.4 | 70 | 6.3×5.4 | 70 | 6.3×7.7 | 80 | 6.3×7.7 | 80 | |
| 100 | 5×5.4 | 55 | 5×5.4 | 52 | 5×5.4 | 50 | 6.3×5.4 | 70 | 6.3×5.4 | 70 | 6.3×7.7 | 90 | 8×10.5 | 230 | |
| | | | 6.3×5.4 | 71 | 6.3×5.4 | 69 | 6.3×7.7 | 120 | 6.3×7.7 | 100 | 8×10.5 | 296 | | | |
| 150 | 6.3×5.4 | 95 | 6.3×5.4 | 90 | 6.3×5.4 | 70 | 6.3×7.7 | 120 | 8×10.5 | 280 | 8×10.5 | 300 | 10×10.5 | 300 | |
| 220 | 6.3×5.4 | 100 | 6.3×5.4 | 95 | 6.3×5.4 | 95 | 6.3×7.7 | 120 | 6.3×7.7 | 120 | 8×10.5 | 320 | 10×10.5 | 375 | |
| | | | 6.3×7.7 | 120 | 6.3×7.7 | 120 | | | 8×10.5 | 320 | 10×10.5 | 435 | | | |
| 330 | 6.3×7.7 | 140 | 6.3×7.7 | 130 | 6.3×7.7 | 130 | 8×10.5 | 305 | 8×10.5 | 320 | 10×10.5 | 450 | 10×10.5 | 400 | |
| | | | 8×10.5 | 290 | 8×10.5 | 305 | | | 10×10.5 | 450 | | | 12.5×13.5 | 450 | |
| 470 | 6.3×7.7 | 150 | 6.3×7.7 | 140 | 6.3×7.7 | 140 | 8×10.5 | 340 | 8×10.5 | 330 | 10×10.5 | 480 | 12.5×13.5 | 490 | |
| | | | 8×10.5 | 330 | 8×10.5 | 340 | | | 10×10.5 | 490 | 12.5*13.5 | 530 | | | |
| 680 | 8×10.5 | 340 | 8×10.5 | 335 | 10×10.5 | 380 | 10×10.5 | 450 | 10×10.5 | 500 | 12.5×13.5 | 600 | 16×16.5 | 750 | |
| 1000 | 8×10.5 | 350 | 8×10.5 | 340 | 8×10.5 | 350 | 10×10.5 | 550 | 12.5×13.5 | 550 | 16×16.5 | 800 | 18×16.5 | 990 | |
| | | | | | 10×10.5 | 410 | | | | | | | | | |
| 1500 | 10×10.5 | 500 | 10×10.5 | 475 | 12.5×13.5 | 600 | 12.5×13.5 | 650 | 12.5×16.5 | 650 | 16×16.5 | 900 | | | |
| 2200 | | | 12.5×13.5 | 680 | 12.5×13.5 | 680 | 16×16.5 | 900 | 16×16.5 | 900 | 18×16.5 | 1050 | | | |
| 3300 | | | 12.5×16.5 | 850 | 16×16.5 | 950 | 16×16.5 | 950 | 18×16.5 | 1150 | | | | | |
| 4700 | | | 16×16.5 | 1000 | 16×16.5 | 1000 | 18×16.5 | 1225 | 18×21.5 | 1300 | | | | | |
| 6800 | | | 18×16.5 | 1290 | 18×16.5 | 1290 | | | | | | | | | |
| 8200 | | | 18×21.5 | 1450 | 18×21.5 | 1450 | | | | | | | | | |

→ I[~]=Rated ripple current (mA) (105°C, 120HZ) I[~]=额定纹波电流 (mA) (105°C, 120HZ)

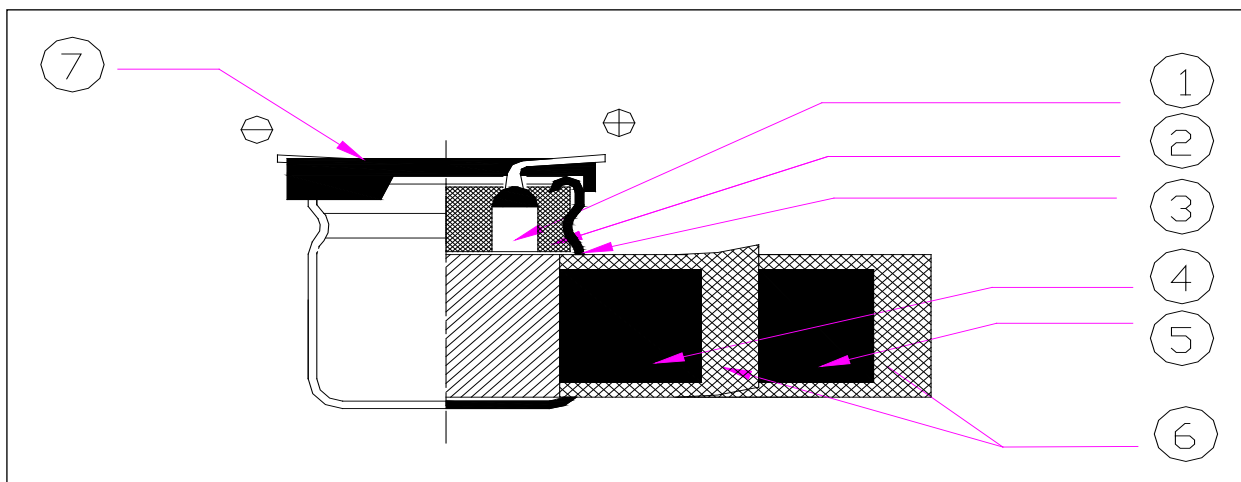
产品规格书 Product Specification

Nominal capacitance, rated voltage, rated ripple current and case size table

| μF \ V | 63 | | 80 | | 100 | |
|-------------|-----------|-------------------|-----------|-------------------|-----------|-------------------|
| | D×L mm | I _r mA | D×L mm | I _r mA | D×L mm | I _r mA |
| 0.1 | 4×5.4 | 1.0 | | | | |
| 0.22 | 4×5.4 | 2.3 | | | | |
| 0.33 | 4×5.4 | 3.5 | | | | |
| 0.47 | 4×5.4 | 5.0 | | | | |
| 1.0 | 4×5.4 | 8 | | | 4×5.4 | 10 |
| 2.2 | 4×5.4 | 12 | | | 5×5.4 | 32 |
| 3.3 | 4×5.4 | 20 | | | 5×5.4 | 35 |
| 4.7 | 5×5.4 | 25 | | | 5×5.4 | 40 |
| | | | | | 6.3×5.4 | 45 |
| 10 | 6.3×5.4 | 42 | | | 6.3×7.7 | 60 |
| 22 | 6.3×7.7 | 50 | 8×10.5 | 100 | 8×10.5 | 80 |
| 33 | 8×10.5 | 90 | 8×10.5 | 100 | 8×10.5 | 90 |
| 47 | 8×10.5 | 100 | 10×10.5 | 150 | 8×10.5 | 100 |
| | | | | | 10×10.5 | 130 |
| 100 | 10×10.5 | 150 | 10×10.5 | 180 | 12.5×13.5 | 220 |
| 150 | 10×10.5 | 170 | 12.5×13.5 | 280 | 16×16.5 | 240 |
| | 12.5×13.5 | 250 | 16×16.5 | 410 | 16×16.5 | 410 |
| 330 | 12.5×16.5 | 300 | 16×16.5 | 510 | 18×16.5 | 520 |
| 470 | 16×16.5 | 450 | 18×16.5 | 560 | | |
| 680 | 18×16.5 | 600 | | | | |
| 1000 | 18×21.5 | 800 | | | | |

↓
I_r=Rated ripple current (mA) (105°C, 120HZ) I_r=额定纹波电流 (mA) (105°C, 120HZ)

五、构造图及材料表 Frame drawing and materials

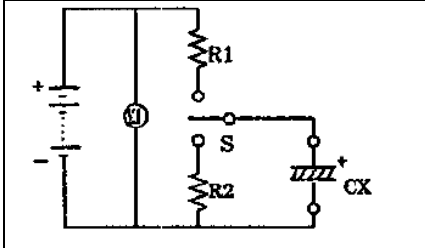


| 序号 No. | 部件名称 Parts | 材料名称 Material | 主要供应厂家名称 Main supply Factory |
|-----------|------------------------|---|--|
| 1 | 引出线 | 铝线 LG3+镀锡铜钢线 AL- wire LG3+Tin- plating of copper cover steel | 南通全用电子工业有限公司 NANTONG GENENIC ELECTRONIC INDUSTRY CO., LTD |
| 2 | 橡胶塞 | 丁基橡胶 IIR rubber | 苏州毅丰橡胶工业有限公司 YUFENG RUBBER INDUSTRY CO, LTD. |
| 3 | PE 铝壳 PE- CASE | 99.5%纯度铝 AL - 99.5% | 韶关源康机电有限公司 SHAOGUAN YUANKANG ELECTRICAL CO., LTD |
| 4 | 阳极箔 AL - foil(+) | 99.99%或 99.98%形成铝 箔 Formed AL 99.98% or 99.98% | 杰希希电子科技(常熟)有限公司 JCC ELECTRONICS TECHNOLOGY (CHANGSHU) CO., LTD |
| 5 | 阴极箔 AL - foil(-) | 99.7%铝箔 Etched AL 99.7% | 博罗冠业电子有限公司 AFT ELECTRONIC CO. LTD. BOLUO |
| 6 | 电解纸 Separstor paper | 电解电容器纸 Electrolytic Capacitor paper | 上海铃茂新能源科技有限公司(大福) DAI FUKU PAPER MFG. CO, LTD |
| 7 | 座板 BASE | PPS | 南通新联电子有限公司 NANTONG Xinlian ELECTRONIC CO. LTD. |

六、试验方法及要求 Tests

| | | | | | | | | | | | | |
|---|---|---|------|-----------------------|------|------|------|------|------|------|------|------|
| 1 | 系列号 (SERIES) | VT 系列 (VT SERIES) | | | | | | | | | | |
| 2 | 额定电压 (rated voltage) | 4~100V | | | | | | | | | | |
| 3 | 工作温度范围 Operating temperature range operating | 工作温度范围是指电容器在额定电压下能持续工作的所允许外部环境的温度范围 operating temperature range is the range of ambient temperature at which the capacitor can be operated continuously at rated voltage SPEC: -40~+105°C | | | | | | | | | | |
| 4 | 电容容量 capacitance | 测量等效电路图 measuring circuit equivalent series circuit | | | | | | | | | | |
| | | 测量温度 20°C | | measuring temperature | | | | | | | | |
| | | 测量频率 120HZ | | measuring frequency | | | | | | | | |
| | | 测量电压 0.5Vrms | | measuring voltage | | | | | | | | |
| | 标称电容容量允许偏差: ±20% MAX | Nominal Capacitance Tolerance: ±20% MAX | | | | | | | | | | |
| 5 | 损耗角正切 tangent of the loss angle | 损耗角正切的测量应要和测量电容容量一样的条件下进行 Measurement should be made under the same conditions as those given for the measurement of capacitance SPEC: | | | | | | | | | | |
| | 损耗角正切 (tg δ) | U _r (V) | 4 | 6.3 | 10 | 16 | 25 | 35 | 50 | 63 | 80 | 100 |
| | | tg δ | 0.35 | 0.28 | 0.24 | 0.20 | 0.16 | 0.14 | 0.12 | 0.12 | 0.12 | 0.12 |
| 6 | 漏电流 leakage current | 将额定电压加在电容和 1000±100 Ω 的保护电阻上。在充电 2 分钟后，按下列等式计算漏电流 the rated voltage shall be applied across the capacitor and its protective resistor which shall be 1000±100 Ω. The leakage current shall be then measured after an electrifications period of (A)min. The leakage current shall be calculated by the following equation 在加上额定电压一定时间后，应满足下列要求: I≤0.01CV or 3 μA Which is greater (取较大者) (20°C, 2 分钟) SPEC: The following specifications shall be satisfied when the rated voltage is applied for the required time. | | | | | | | | | | |
| 7 | 允许最大纹波电流 Maximum permissible ripple current | 在规定的某一频率下的最大交流电流，在该电流下电容器连续工作。即使在测过第 16 项下的耐久性后，此要求仍要满足。在此，DC 电压加上最大纹波电压小于等于额定电压。 The maximum sinusoidal alternating current of a frequency specified below, at which the capacitor can be operated continuously. This requirement shall be satisfied even after the measurement of clause 16 (electrical endurance) Where (DC voltage + peak ripple voltage) ≤ rated voltage | | | | | | | | | | |

接上表

| 8 | 温度特性 Characteristics of temperature | <table border="1"> <thead> <tr> <th>步骤 step</th> <th>温度 temperature</th> <th>持续时间 Duration</th> </tr> </thead> <tbody> <tr> <td>1</td> <td>20±2℃</td> <td>15 分钟 15 min</td> </tr> <tr> <td>2</td> <td>最低工作温度 minimum operating temperature</td> <td>2 小时 2 hours</td> </tr> <tr> <td>3</td> <td>20±2℃</td> <td>15 分钟 15 min</td> </tr> <tr> <td>4</td> <td>最高工作温度 maximum operating temperature</td> <td>2 小时 2 hours</td> </tr> </tbody> </table> <p>步骤 1: 测量容量, 损耗角正切和阻抗 Step1: Capacitance, tangent of the loss angle impedance shall be measured.</p> <p>步骤 2: 在电容器存放 2 小时后, 测量容量, 损耗角正切和阻抗 Step2: After the capacitor being stored for 2hours, Capacitance, tangent of the loss angle and impedance shall be measured.</p> <p>步骤 3: 电容器在 20±2℃下存放 15 分钟 Step3: The capacitor being stored fro 15min at20±2℃</p> <p>步骤 4: 在电容器存放 2 小时后, 测量容量和漏电流。 Step4: After the capacitor being stored for 2hours, capacitance and leakage current shall be measured</p> <table border="1"> <thead> <tr> <th>额定电压 rated voltage</th> <th>4</th> <th>6.3</th> <th>10</th> <th>16</th> <th>25</th> <th>35</th> <th>50</th> <th>63</th> <th>80</th> <th>100</th> </tr> </thead> <tbody> <tr> <td>Z-(-25℃/Z(+20℃))</td> <td>7</td> <td>4</td> <td>3</td> <td>2</td> <td>2</td> <td>2</td> <td>2</td> <td>2</td> <td>2</td> <td>2</td> </tr> <tr> <td>Z-(-40℃/Z(+20℃))</td> <td>15</td> <td>8</td> <td>6</td> <td>4</td> <td>4</td> <td>3</td> <td>3</td> <td>3</td> <td>3</td> <td>3</td> </tr> </tbody> </table> | 步骤 step | 温度 temperature | 持续时间 Duration | 1 | 20±2℃ | 15 分钟 15 min | 2 | 最低工作温度 minimum operating temperature | 2 小时 2 hours | 3 | 20±2℃ | 15 分钟 15 min | 4 | 最高工作温度 maximum operating temperature | 2 小时 2 hours | 额定电压 rated voltage | 4 | 6.3 | 10 | 16 | 25 | 35 | 50 | 63 | 80 | 100 | Z-(-25℃/Z(+20℃)) | 7 | 4 | 3 | 2 | 2 | 2 | 2 | 2 | 2 | 2 | Z-(-40℃/Z(+20℃)) | 15 | 8 | 6 | 4 | 4 | 3 | 3 | 3 | 3 | 3 |
|----------------------------------|---|--|---|-------------------------|---|--------------------------------|---------------------------|----------------|----------------------------------|---|--------------|----|-------|--------------|----|---|--------------|-----------------------|-----|----------------------------------|----|----|------|----|----|----|----|-----|------------------|-----|---|---|---|---|---|---|---|---|---|------------------|----|---|---|---|---|---|---|---|---|---|
| | | 步骤 step | 温度 temperature | 持续时间 Duration | | | | | | | | | | | | | | | | | | | | | | | | | | | | | | | | | | | | | | | | | | | | | | |
| | | 1 | 20±2℃ | 15 分钟 15 min | | | | | | | | | | | | | | | | | | | | | | | | | | | | | | | | | | | | | | | | | | | | | | |
| | | 2 | 最低工作温度 minimum operating temperature | 2 小时 2 hours | | | | | | | | | | | | | | | | | | | | | | | | | | | | | | | | | | | | | | | | | | | | | | |
| | | 3 | 20±2℃ | 15 分钟 15 min | | | | | | | | | | | | | | | | | | | | | | | | | | | | | | | | | | | | | | | | | | | | | | |
| 4 | 最高工作温度 maximum operating temperature | 2 小时 2 hours | | | | | | | | | | | | | | | | | | | | | | | | | | | | | | | | | | | | | | | | | | | | | | | | |
| 额定电压 rated voltage | 4 | 6.3 | 10 | 16 | 25 | 35 | 50 | 63 | 80 | 100 | | | | | | | | | | | | | | | | | | | | | | | | | | | | | | | | | | | | | | | | |
| Z-(-25℃/Z(+20℃)) | 7 | 4 | 3 | 2 | 2 | 2 | 2 | 2 | 2 | 2 | | | | | | | | | | | | | | | | | | | | | | | | | | | | | | | | | | | | | | | | |
| Z-(-40℃/Z(+20℃)) | 15 | 8 | 6 | 4 | 4 | 3 | 3 | 3 | 3 | 3 | | | | | | | | | | | | | | | | | | | | | | | | | | | | | | | | | | | | | | | | |
| 9 | 浪涌测试 Surge test | <p>在规定温度下, 循环测试 1000 次, 每次充电 30±5 秒, 在放电大约 5 分 30 秒。在标准温度条件下存放使其稳定, 然后测试。 The capacitor shall be subjected to 1000cycles at a temperature specified below, each consisting of a charge period of 30±5sec, followed by a discharge period of approx. 5min30sec. And the capacitor shall be stored under standard conditions thermal to obtain stability,after which measurements shall be made.</p> <p>measurement circuit(测试电路图)</p>  <table border="1"> <tr> <td>VS:浪涌电压 Surge voltage</td> <td>V1:直流电压 DC voltmeter</td> </tr> <tr> <td>R1:保护电阻 (1KΩ) Protective series resistor</td> <td>R2:放电电阻器 Discharge resistor</td> </tr> <tr> <td>CX:测试电容 Test capacitor</td> <td>S:开关 Switch</td> </tr> </table> <p>SPEC: 1) $\Delta C/C \leq 15\%$ 2) $\text{tg } \delta < \text{规定值}$ 3) 电压</p> <table border="1"> <thead> <tr> <th>RATED VOLTAGE (V_{DC})</th> <th>4</th> <th>6.3</th> <th>10</th> <th>16</th> <th>25</th> <th>35</th> <th>50</th> <th>63</th> <th>80</th> <th>100</th> </tr> </thead> <tbody> <tr> <td>SURGE VOLTAGE (V_{DC})</td> <td>5</td> <td>8</td> <td>11.5</td> <td>19</td> <td>28</td> <td>42</td> <td>58</td> <td>72</td> <td>92</td> <td>115</td> </tr> </tbody> </table> | VS:浪涌电压 Surge voltage | V1:直流电压 DC voltmeter | R1:保护电阻 (1KΩ) Protective series resistor | R2:放电电阻器 Discharge resistor | CX:测试电容 Test capacitor | S:开关 Switch | RATED VOLTAGE (V _{DC}) | 4 | 6.3 | 10 | 16 | 25 | 35 | 50 | 63 | 80 | 100 | SURGE VOLTAGE (V _{DC}) | 5 | 8 | 11.5 | 19 | 28 | 42 | 58 | 72 | 92 | 115 | | | | | | | | | | | | | | | | | | | | |
| | | VS:浪涌电压 Surge voltage | V1:直流电压 DC voltmeter | | | | | | | | | | | | | | | | | | | | | | | | | | | | | | | | | | | | | | | | | | | | | | | |
| | | R1:保护电阻 (1KΩ) Protective series resistor | R2:放电电阻器 Discharge resistor | | | | | | | | | | | | | | | | | | | | | | | | | | | | | | | | | | | | | | | | | | | | | | | |
| | | CX:测试电容 Test capacitor | S:开关 Switch | | | | | | | | | | | | | | | | | | | | | | | | | | | | | | | | | | | | | | | | | | | | | | | |
| RATED VOLTAGE (V _{DC}) | 4 | 6.3 | 10 | 16 | 25 | 35 | 50 | 63 | 80 | 100 | | | | | | | | | | | | | | | | | | | | | | | | | | | | | | | | | | | | | | | | |
| SURGE VOLTAGE (V _{DC}) | 5 | 8 | 11.5 | 19 | 28 | 42 | 58 | 72 | 92 | 115 | | | | | | | | | | | | | | | | | | | | | | | | | | | | | | | | | | | | | | | | |

接上表

| 10 | 端子强度 Terminal strength | <p>1) 拉力(tensile)</p> <table border="1" data-bbox="464 333 1447 510"> <thead> <tr> <th>d(mm)</th> <th>[N]</th> <th>Duration time</th> </tr> </thead> <tbody> <tr> <td>0.3<d≤0.5</td> <td>5</td> <td rowspan="3">10±2sec(秒)</td> </tr> <tr> <td>0.5<d≤0.8</td> <td>10</td> </tr> <tr> <td>0.8<d≤1.25</td> <td>20</td> </tr> </tbody> </table> <p>2) 抗弯强度 (Bending) 端子应该在每一方向上折弯一次，总共两次 The terminal shall be subjected to 1 bend in each direction to give a total 2 bends.</p> <table border="1" data-bbox="464 674 1447 848"> <thead> <tr> <th>d(mm)</th> <th>[N]</th> </tr> </thead> <tbody> <tr> <td>0.3<d≤0.5</td> <td>2.5 (0.25KG)</td> </tr> <tr> <td>0.5<d≤0.8</td> <td>5.0 (0.51KG)</td> </tr> <tr> <td>0.8<d≤1.25</td> <td>10.0(1.0KG)</td> </tr> </tbody> </table> <p>端子没有破损或松动 SPEC: No breaking and loosening of terminal</p> | d(mm) | [N] | Duration time | 0.3<d≤0.5 | 5 | 10±2sec(秒) | 0.5<d≤0.8 | 10 | 0.8<d≤1.25 | 20 | d(mm) | [N] | 0.3<d≤0.5 | 2.5 (0.25KG) | 0.5<d≤0.8 | 5.0 (0.51KG) | 0.8<d≤1.25 | 10.0(1.0KG) |
|------------|--------------------------------------|---|-------|-----|---------------|-----------|---|------------|-----------|----|------------|----|-------|-----|-----------|--------------|-----------|--------------|------------|-------------|
| d(mm) | [N] | Duration time | | | | | | | | | | | | | | | | | | |
| 0.3<d≤0.5 | 5 | 10±2sec(秒) | | | | | | | | | | | | | | | | | | |
| 0.5<d≤0.8 | 10 | | | | | | | | | | | | | | | | | | | |
| 0.8<d≤1.25 | 20 | | | | | | | | | | | | | | | | | | | |
| d(mm) | [N] | | | | | | | | | | | | | | | | | | | |
| 0.3<d≤0.5 | 2.5 (0.25KG) | | | | | | | | | | | | | | | | | | | |
| 0.5<d≤0.8 | 5.0 (0.51KG) | | | | | | | | | | | | | | | | | | | |
| 0.8<d≤1.25 | 10.0(1.0KG) | | | | | | | | | | | | | | | | | | | |
| 11 | 可焊性 solderability | <p>焊料(Solder) : H60A. H60S or(或)H63A 焊接温度(Solder temperature) : 245±2℃ 浸入时间(Immersion time) : 3±0.5sec(秒) 浸入深度(Immersion depth) : 2mm 熔化: 松香在酒精的浓度是 25% Flux: 25% by weight of rosin in ethanol 从含浸处到顶部，至少要有 3/4 的部分覆盖有新焊料 SPEC:1)3/4 of the circumference of the surface up to the immersed shall be covered with new solder.</p> | | | | | | | | | | | | | | | | | | |
| 12 | 耐焊接热 Resistance to soldering heat | <p>焊料(Solder) : H60A. H60S or(或)H63A 焊槽温度(Solder temperature) : 260±5℃(or 或 350±10℃ 浸入时间(Immersion time) : 10±1sec(秒) (or 或 3.5±0.5sec) 绝热屏蔽板的厚度 (Thickness of heat shunt:1.6mm) : 1.6mm SPEC:1) 电容量变化 Change in capacitance: ±10%初始值以内 Within±10% of the initial value 2) 损耗角正切 tangent of the loss angle: 小于等于初始规定值 The initial specified value or less 3) 漏电流 leakage current: 小于等于初始规定值 The initial specified value or less</p> | | | | | | | | | | | | | | | | | | |
| 13 | 抗振性 Vibration | <p>试验电容器的耐振性。在整个频率范围内，从 10 赫兹到 55 赫兹，然后再返回到 10 赫兹，就这样在一分钟内往返循环。振幅为 1.5mm。在三个垂直方向上，每一方向要持续 2 小时，总共 6 小时 Only endurance conditioning by sweeping shall be made. The entire frequency range, from 10 to 55VT and return to 10VT, shall be transversed in 1min. Amplitude(total excursion)1.5mm, This motion shall be applied for a period of 2hours in each of3 mutually perpendicular directions(a total of 6 hours) SPEC:1) 电容量的变化(change in capacitance): ±5%初始值以内(within ±5%of the initial value) 2) 无可见损伤(No visible damage)</p> | | | | | | | | | | | | | | | | | | |

产品规格书 Product Specification

接上表

| | | |
|----|----------------------------|---|
| 14 | <p>稳态湿热 Damp heat</p> | <p>电容器要在温度 $40\pm 2^{\circ}\text{C}$，相对湿度 90%到 95%条件下存放 240 ± 8 个小时。然后在标准条件下放 1 到 2 小时后进行测量。</p> <p>the capacitor shall be stored at a temperature of $40\pm 2^{\circ}\text{C}$ and relative humidity of 90 to 95% for 240 ± 8 hours. And then the capacitor shall be subjected to standard atmospheric conditions for 1 to 2 hours, after which measurements shall be made</p> <p>SPEC:1) 电容量的变化 change in capacitance: $\pm 15\%$初始值以内 within $\pm 15\%$ of the initial value;</p> <p>2) 损耗角正切 tangent of loss angle: 小于等于初始规定值 The initial specified value or less;</p> <p>3) 漏电流 leakage current: 小于等于初始规定值 The initial specified value or less</p> |
| 15 | <p>高温储存 shelf life</p> | <p>在 105°C 温度下不外加电压贮存，电容器存放 1000 小时。然后在标准条件下放 1 到 2 小时后进行测量，并且在测漏电流前，必须满足下列条件。The capacitor shall be stored at 105°C temperature specified below for 1000 hours. During which time no voltage shall be applied. And then the capacitor shall be subjected to standard atmospheric conditions for 1 to 2 hours, after which measurements shall be made, Prior to the measurement of leakage current, following conditioning may be made.</p> <p>SPEC:1) 电容量的变化 change in capacitance: $\pm 20\%$初始值以内 within $\pm 20\%$ of the initial value; ($\leq 16\text{V}$: $\pm 25\%$初始值以内) ($\leq 16\text{V}$: within $\pm 25\%$ of the initial value);</p> <p>2) 损耗角正切 tangent of loss angle: $\pm 200\%$初始规定值以内 within $\pm 200\%$ of the initial value;</p> <p>3) 漏电流 leakage current: 小于等于初始规定值 The initial specified value or less</p> |
| 16 | <p>耐久性 load life</p> | <p>在 $105\pm 2^{\circ}\text{C}$ 下，电容器加额定电压 1000 小时。在标准条件下放 1 到 2 小时后进行测量。The rated voltage shall be applied continuously to the capacitor at maximum operating temperature $105\pm 2^{\circ}\text{C}$ for 1000 hours. And then the capacitor shall be subjected to standard atmospheric conditions for 1 to 2 hours, after which measurement shall be made.</p> <p>SPEC:1) 电容量的变化 change in capacitance: $\pm 20\%$初始值以内 within $\pm 20\%$ of the initial value; ($\leq 16\text{V}$: $\pm 25\%$初始值以内) ($\leq 16\text{V}$: within $\pm 25\%$ of the initial value);</p> <p>2) 损耗角正切 tangent of loss angle: $\pm 200\%$初始规定值以内 within $\pm 200\%$ of the initial value;</p> <p>3) 漏电流 leakage current: 小于等于初始规定值 The initial specified value or less</p> |

七、标志 Marking (见外形图及尺寸表)

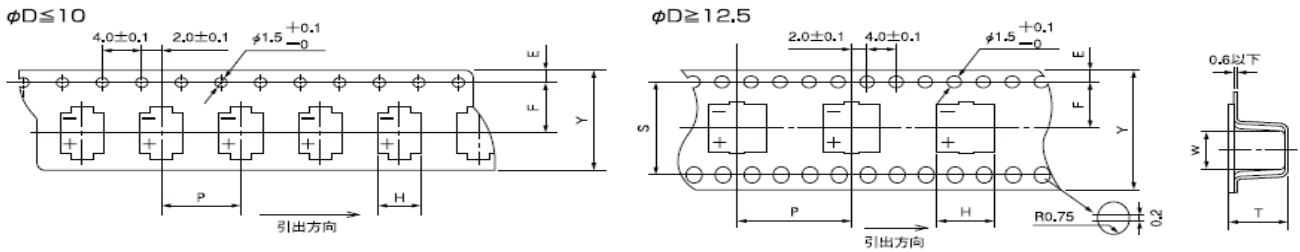
说明：标识中的“VT”是东莞承兴电子科技有限公司VT型贴片产品的专属标识。

Information: The mark of “VT” is the special mark of VT for SMD Type of DongGuan ChengXing Electronics Co.,Ltd.

八、片式铝电解电容的编带

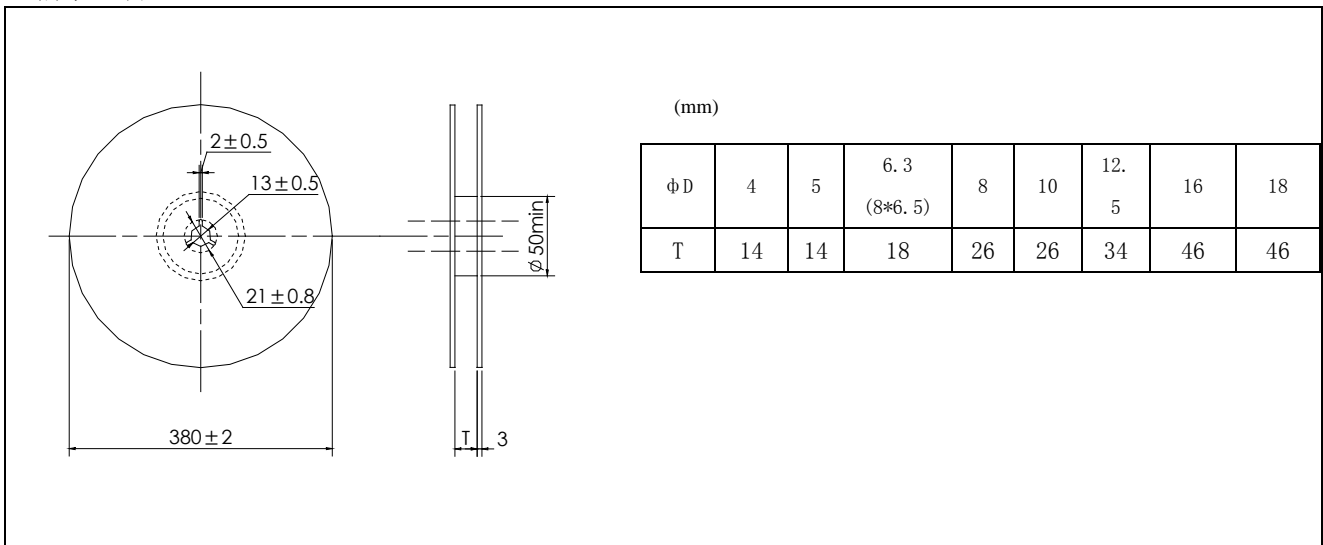
V- Chip Type Aluminum Electrolytic Capacitors

编带 Carrier tape



| $\phi D \times L$ | 4×5. 4 | 5×5. 4 | 6.3× 5.4 | 6.3× 7.7 | 6.3* 10.5 | 8× 10.5 | 8× 12.5 | 10× 10.5 | 10× 12.5 | 12.5 × 13.5 | 12.5 × 16.5 | 16× 16.5 | 18× 16.5 | 18× 21.5 | (mm) |
|-------------------|-----------|-----------|-------------|-------------|--------------|------------|------------|-------------|-------------|-------------------|-------------------|-------------|-------------|-------------|------|
| W | 12.0 | 12.0 | 16. 0 | 16.0 | 16.0 | 24.0 | 24.0 | 24.0 | 24.0 | 32.0 | 32.0 | 44.0 | 44.0 | 44.0 | |
| P | 8.0 | 12.0 | 12. 0 | 12.0 | 12.0 | 16.0 | 16.0 | 16.0 | 16.0 | 24.0 | 24.0 | 28.0 | 32.0 | 32.0 | |
| F | 5.5 | 5.5 | 7.5 | 7.5 | 7.5 | 11.5 | 11.5 | 11.5 | 11.5 | 14.2 | 14.2 | 20.2 | 20.2 | 20.2 | |
| A ₀ | 5.0 | 6.0 | 7.0 | 7.0 | 7.0 | 8.7 | 8.7 | 10.7 | 10.7 | 13.2 | 13.2 | 17.5 | 19.5 | 19.5 | |
| B ₀ | 5.0 | 6.0 | 7.0 | 7.0 | 7.0 | 8.7 | 8.7 | 10.7 | 10.7 | 13.2 | 13.2 | 17.5 | 19.5 | 19.5 | |
| T ₂ | 5.8 | 5.8 | 5.8 | 8.0 | 11.0 | 11.0 | 13.3 | 11.0 | 13.3 | 14.3 | 17.3 | 17.3 | 17.8 | 22.5 | |

■ 编带包装盘 Reel



| $\Phi D \times L$ | Quantity / Reel 数量 / 每盘 | pcs/ Small packing box 数量/小包装箱 | pcs/Large packing box 数量/大包装箱 |
|-----------------------|----------------------------|-----------------------------------|----------------------------------|
| 4×5.4 | 2000pcs | 24000pcs | 48000pcs |
| 5×5.4 | 1000pcs | 12000pcs | 24000pcs |
| 6.3×5.4、6.3×7.7、8×6.5 | 1000pcs | 10000pcs | 20000pcs |
| 8×10.5、10×10.5 | 500pcs | 3500pcs | 7000pcs |
| 6.3×10.5 | 800pcs | 8000pcs | 16000pcs |
| 8×12.5 | 400pcs | 2800pcs | 5600pcs |
| 10×12.5 | 400pcs | 2800pcs | 5600pcs |
| 12.5×13.5 | 200pcs | 1200pcs | 2400pcs |
| 12.5×16.5 | 150pcs | 900pcs | 1800pcs |
| 16×16.5 | 125pcs | 625pcs | 1250pcs |
| 18×16.5 | 125pcs | 625pcs | 1250pcs |
| 18×21.5 | 75pcs | 375pcs | 750pcs |

■ Package quantity 包装数量

X-ON Electronics

Largest Supplier of Electrical and Electronic Components

Click to view similar products for [Aluminium Electrolytic Capacitors - SMD category](#):

Click to view products by [Chengxing manufacturer](#):

Other Similar products are found below :

[ULV2H4R7MNL1GS](#) [ULV2H1R8MNL1GS](#) [EMZA500ARA221MJA0G](#) [MAL214099813E3](#) [CA025M4R70REB-0405](#)

[UCX1V471MNQ1MS](#) [10SVP120M](#) [DV100M050C055ETR](#) [RVJ-50V101MH10U-R](#) [AEH1012471M016R](#) [MAL213967339E3](#)

[EMK1EM331FB0D00R](#) [EMF1CM221FB0D00R](#) [EMF1CM331FB0D00R](#) [EMF1CM471FB0D00R](#) [EMK1JM101GB0D00R](#)

[EMK1AM102GB0D00R](#) [EMK1HM221GB0D00R](#) [DV221M6R3E055ETR](#) [DV221M025E077ETR](#) [RV331M025F105ETR](#) [RVT1A101M0505](#)

[GVZ1H101M0607](#) [CK1E100M0405](#) [GVM1E331M0607](#) [VT10UF100V167RV0127](#) [VT100UF16V167RV0124](#) [CS100UF35V167RV0155](#)

[CK220UF16V167RV0142](#) [VT10UF16V167RV0128](#) [VT22UF35V167RV0131](#) [CS470UF10V167RV0150](#) [CK100UF16V167RV0138](#)

[CK220UF10V167RV0141](#) [RVT330UF25V167RV0055](#) [VT470UF16V167RV0135](#) [CS100UF10V167RV0144](#) [126RV0017](#)

[VT47UF35V167RV0137](#) [CS220UF35V167RV0148](#) [126RV0010](#) [126RV0009](#) [VT220UF25V167RV160](#) [VT220UF16V167RV0088](#)

[126RV0012](#) [126RV0011](#) [126RV0013](#) [126RV0018](#) [126RV0008](#) [126RV0015](#)