

Panel Mount Lenses for T-1 (3mm) LEDs

Description and Features

Series 4331, 4332, 4333, 4335, 4336, 4337

- This is a smaller version of the 4311 series lenses and is designed for T-1 LEDs rather than T-1 3/4 LEDs. The plastic lens provides protection against electrostatic discharge.

Material: Polycarbonate

Mounting Hole: Snap into Ø.170-.174 hole in panels
.030-.060 thick.

MODEL	LENS COLOR
4331	Red
4332	Clear
4333	Amber
4335	Green
4336	Blue
4337	Yellow

Series 4351 thru 4357

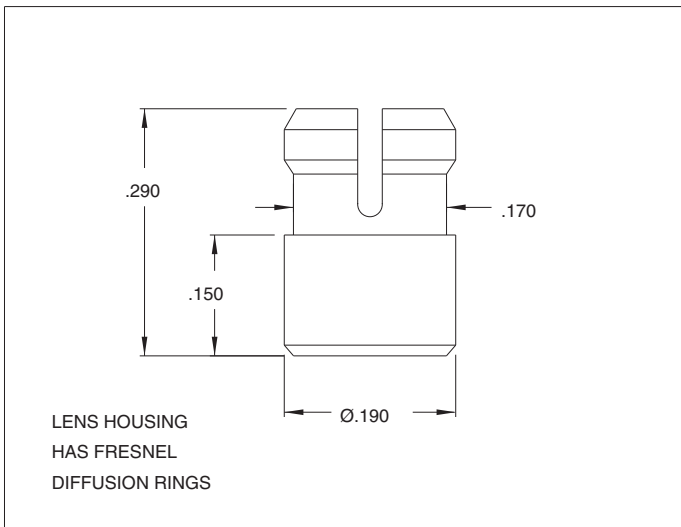
- Attractive snap-in panel lenses provide wide-angle viewing plus mechanical security and electrostatic discharge protection. Ideal for use with T-1 LEDs such as 4303F series.

Material: Polycarbonate

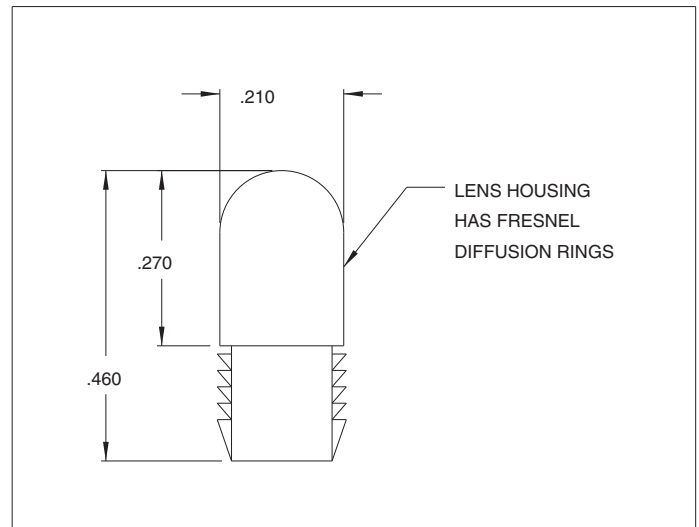
Mounting Hole: Snap into Ø.187-.192 hole in panels
.020-.097 thick.

MODEL	LENS COLOR
4351	Red
4352	Clear
4353	Amber
4354	White
4355	Green
4356	Blue
4357	Yellow

Outline Dimensions



Outline Dimensions



All dimensions in inches.

X-ON Electronics

Largest Supplier of Electrical and Electronic Components

Click to view similar products for [chicago miniature manufacturer](#):

Other Similar products are found below :

[7011X1/5-100](#) [93](#) [PR18](#) [13](#) [15](#) [1493](#) [1731](#) [1874](#) [2110QA2](#) [212-2](#) [2150QA4](#) [2191U7-24V](#) [2330D4](#) [248](#) [2620T1](#) [293](#) [2990D4-6V](#) [2990P3-6V](#) [301](#) [3015](#) [1680](#) [1705](#) [2150A2](#) [2158](#) [2191U5-6V](#) [GF660](#) [PLS13W/50](#) [24ES](#) [PR15](#) [2990D1-6V](#) [2990P1-12V](#) [2990P6-28V](#) [CMD11-21VGC-100](#) [CMD11-21VRC-100](#) [CMD53154](#) [CMD5452](#) [CMD55AB](#) [CMD5760](#) [303](#) [4302H1-5V](#) [455](#) [4610](#) [4745A](#) [5300A75](#) [5307H3](#)
[3122](#) [5635D1](#) [4106-W-19.25](#) [4300E11NF](#) [4327](#)