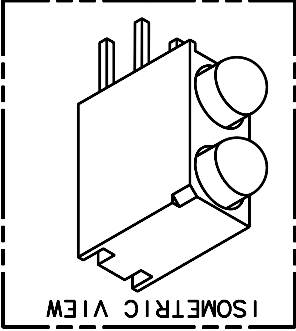
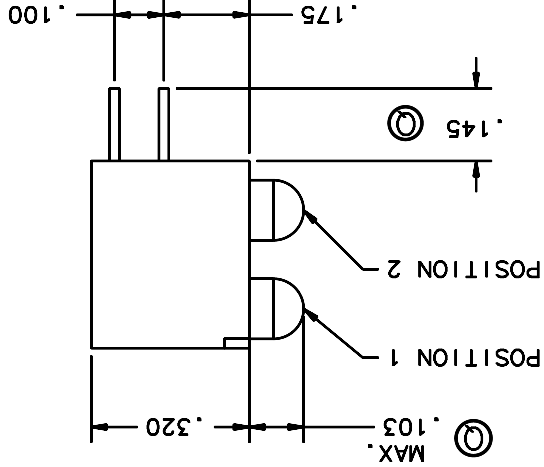
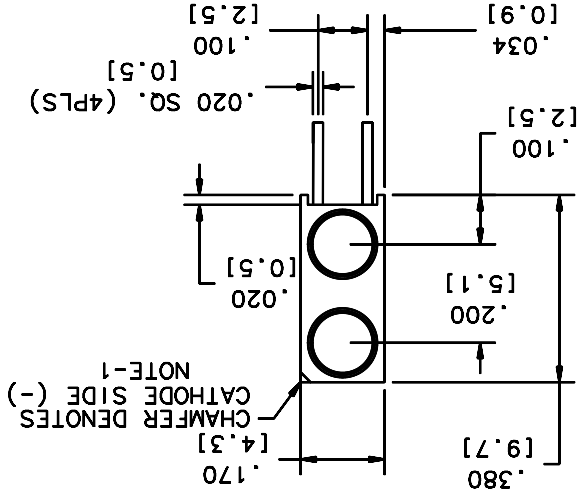
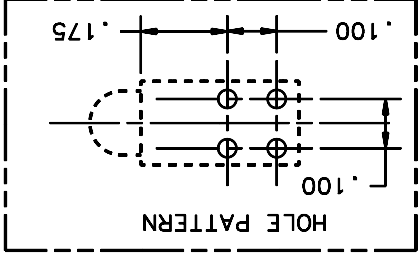


NOTES:
 1-ON THE BI-COLOR MODELS THE CATHODE SIDE IS RED/YEL CATHODE.
 2-MATL: BLACK RYNYITE



DIM ARE IN INCHES
 (X) FOR INSPECTION USE ONLY
 (X) SPC DOCUMENTATION REQ. (X R CHARTS)

THIS DWG IS THE PROPERTY OF CHICAGO MINIATURE LAMP, INC. AND IS PROPRIETARY IN GENERAL AND IN DETAIL. IT SHALL NOT BE COPIED OR ITS CONTENTS REVEALED TO OUTSIDE PARTIES WITHOUT THE WRITTEN CONSENT OF CHICAGO MINIATURE LAMP, INC.

SDRC FILE NAME:553SERIES.MF1

DATE: 2/02
 CHECKED BY: JL
 MODEL NO: SEE TABLE
 MOLD NO: SEE TABLE
 MATERIAL: NOTE-2
 FINISH: DIST. S

SCALE: 4:1
 SHEET: REV A

CHICAGO MINIATURE LAMP, INC.
 147 CENTRAL AVE. HACKENSACK, NJ 07601

MODEL NO.	LED P/N	POSITION 1	LED P/N	POSITION 2	OUTPUT COLOR
553-0111	4303F1	RED	4303F1	RED	RED
553-0122	4303F5	GREEN	4303F5	GREEN	GREEN
553-0133	4303F7	YELLOW	4303F7	YELLOW	YELLOW
553-0711	4301F1/5-A	RED/GRN	4301F1/5-A	RED/GRN	RED/GRN
553-0744	4301F25/27	YEL/GRN	4301F25/27	YEL/GRN	YEL/GRN

REV	ECR NO	DESCRIPTION	DATE
A	21396	NEW RELEASE	2/8/02

REVISIONS

CHICAGO MINIATURE LAMP, INC.
 147 CENTRAL AVE. HACKENSACK, NJ 07601

TITLE: BI-LEVEL LED INDICATOR
 DIST. S
 DWG NO B17222
 REV A

X-ON Electronics

Largest Supplier of Electrical and Electronic Components

Click to view similar products for [LED Circuit Board Indicators](#) category:

Click to view products by [Chicago Miniature](#) manufacturer:

Other Similar products are found below :

[568-0200-132F](#) [568-0701-841F](#) [568-0734-832F](#) [569-0312-300F](#) [591-2001-107F](#) [592-2222-302F](#) [592-2424-302F](#) [LTL-4221NH129](#) [LTL-42DGNMHDP1](#) [LTM-260-5HT](#) [H131CSRT-120](#) [HLMP1503108F](#) [HLMP1521101](#) [HLMP1523802F](#) [HLMP1700101F](#) [HLMP1700104F](#) [HLMP1790105F](#) [BHA-1564-G](#) [SMF-HM1530YD-305](#) [SSF-LXH103SUGD-04](#) [AM2520EHSGD](#) [HLMP1301104F](#) [HLMP1385101F](#) [HLMP1421101](#) [HLMP1503103F](#) [HLMP1503104F](#) [HLMP1700102F](#) [HLMP1700106F](#) [HLMP1700107F](#) [HLMP1790101F](#) [HLMP1790103F](#) [LTL-4211NHBP](#) [5320F7](#) [5330H7](#) [5350T7](#) [5352T1-5VLC](#) [5352T5-5VLC](#) [5370T7LC](#) [550-1112F](#) [550-3107-010F](#) [551-0206-003F](#) [551-0207-815F](#) [551-0212-801F](#) [551-2802F](#) [552-0794-810F](#) [552-0821F](#) [552-6033-200F](#) [553-0001-808F](#) [553-0122-818F](#) [553-0171F](#)