

Power Inductor

AMQU Series - ISO9001 | ISO14001 | IATF16949

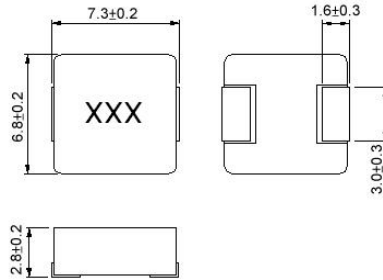


Part Numbering

A	MQU	00	060603	100	M	A1
Grade	Series Name	Control Code	Dimensions Code (mm)	Inductance (uH)	Tolerance	Internal Code
			060630 6.8*7.3*2.8	1R0 1	M ±20%	
			101040 10.2*11.6*3.8	2R2 2.2		
				100 10		

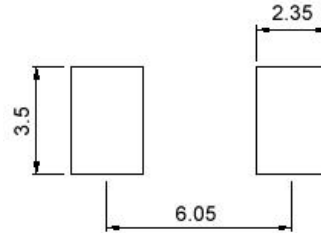
AMQU00060630 Type

■ Dimensions



unit:mm

■ Recommended Land Pattern



unit:mm

■ Electrical Characteristics

Part No.	Inductance (uH)	Test Freq.	RDC(mΩ) Max.(Typ)	Isat(A) Max.(Typ)	Irms(A) Typ.	Tolerance (±%)	Marking
AMQU000606301R0MA1	1	100kHz,0.5V	9.5(8.5)	16(18)	12	20	1R0
AMQU000606301R5MA1	1.5	100kHz,0.5V	14(12.7)	14(16)	10	20	1R5
AMQU000606302R2MA1	2.2	100kHz,0.5V	18.7(17)	11(12)	8	20	2R2
AMQU000606303R3MA1	3.3	100kHz,0.5V	27.5(25)	8.0(9.0)	7	20	3R3
AMQU000606304R7MA1	4.7	100kHz,0.5V	39(35)	7.0(8.0)	6	20	4R7
AMQU000606306R8MA1	6.8	100kHz,0.5V	49(45)	5.5(6.5)	5.5	20	6R8
AMQU00060630100MA1	10	100kHz,0.5V	66(60)	4.8(5.5)	4	20	100

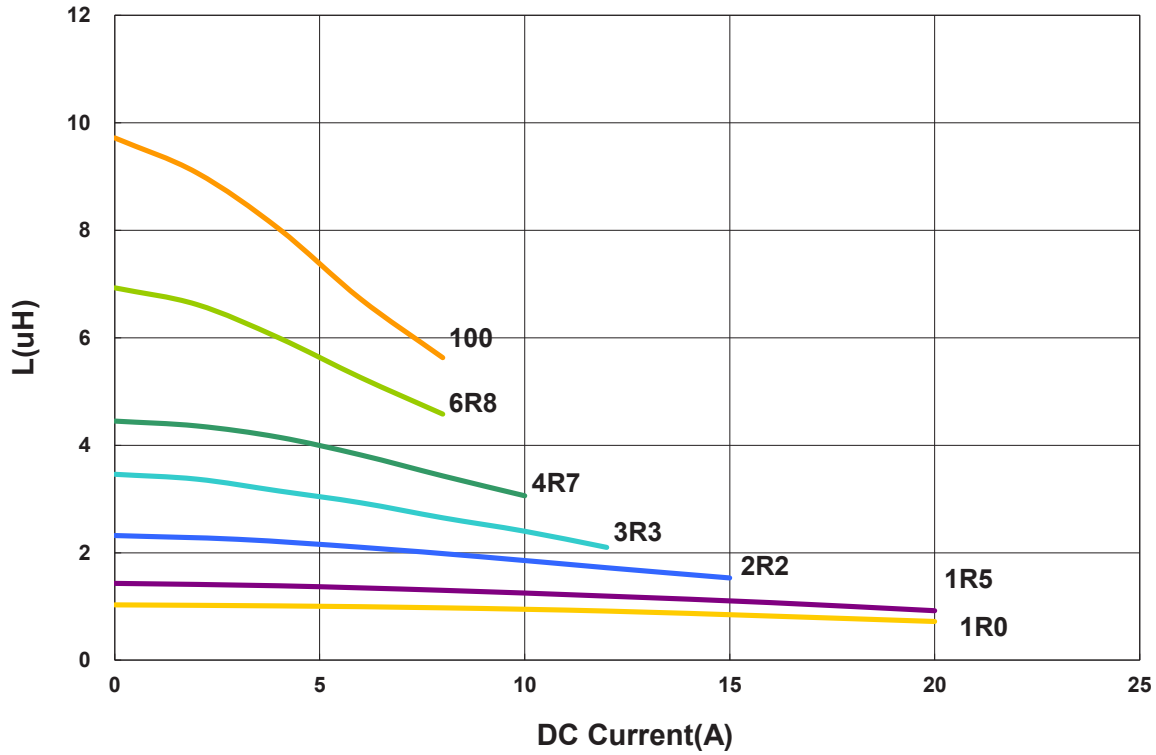
Note: When ordering, please specify tolerance code. Tolerance: M=±20%

1. Operating temperature range - 40°C ~ 125°C
2. Isat for Inductance drop 30% from its value without current
3. Irms for a 40°C temprature rise from 25°C ambient with current
4. Absolute maximum voltage 30VDC
5. Measure Equipment:
 L: WK3260B or WK6500P
 RDC: CHEN HWA502 or 16502
 Isat: WK3260B+WK3265B
 Irms: CHROMA 1810

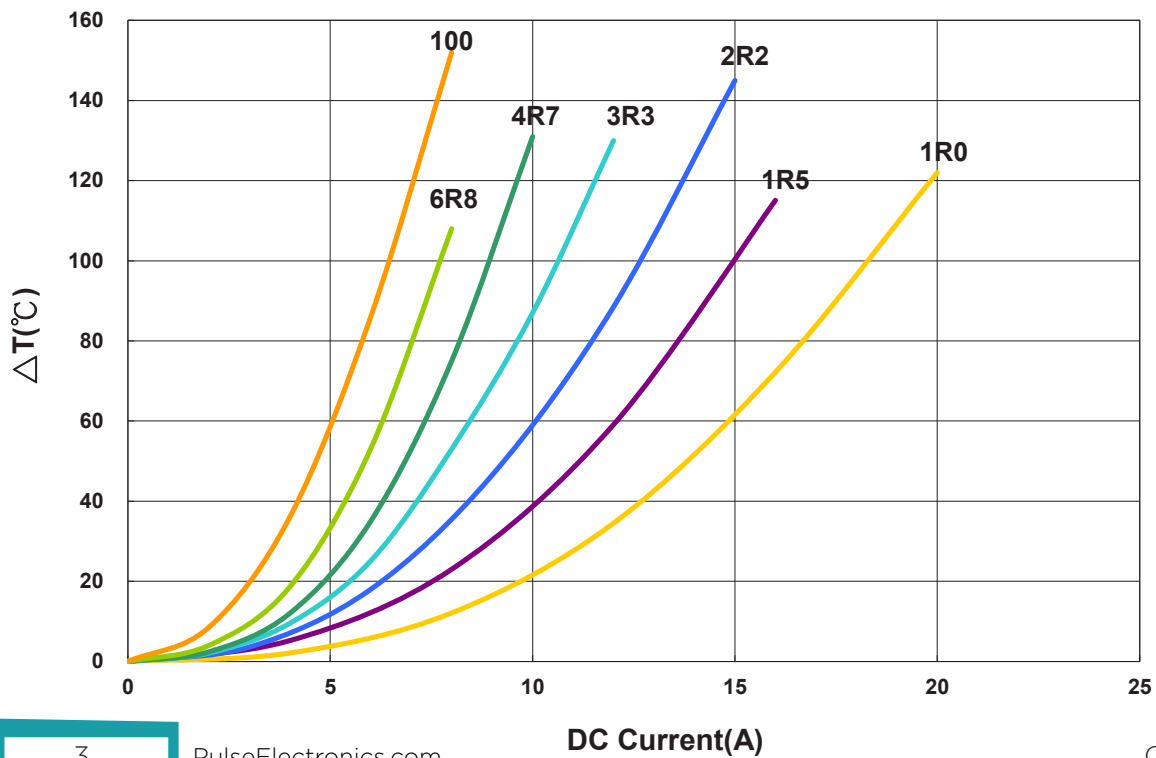
AMQU00060630 Type

Characteristics Graph

Inductance vs. DC Current

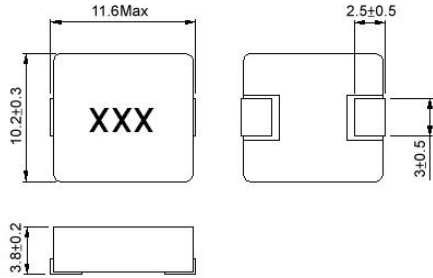


Temperature Change vs. DC Current



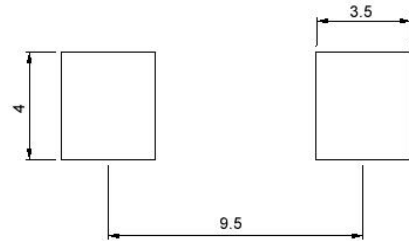
AMQU00101040 Type

■ Dimensions



unit:mm

■ Recommended Land Pattern



unit:mm

■ Electrical Characteristics

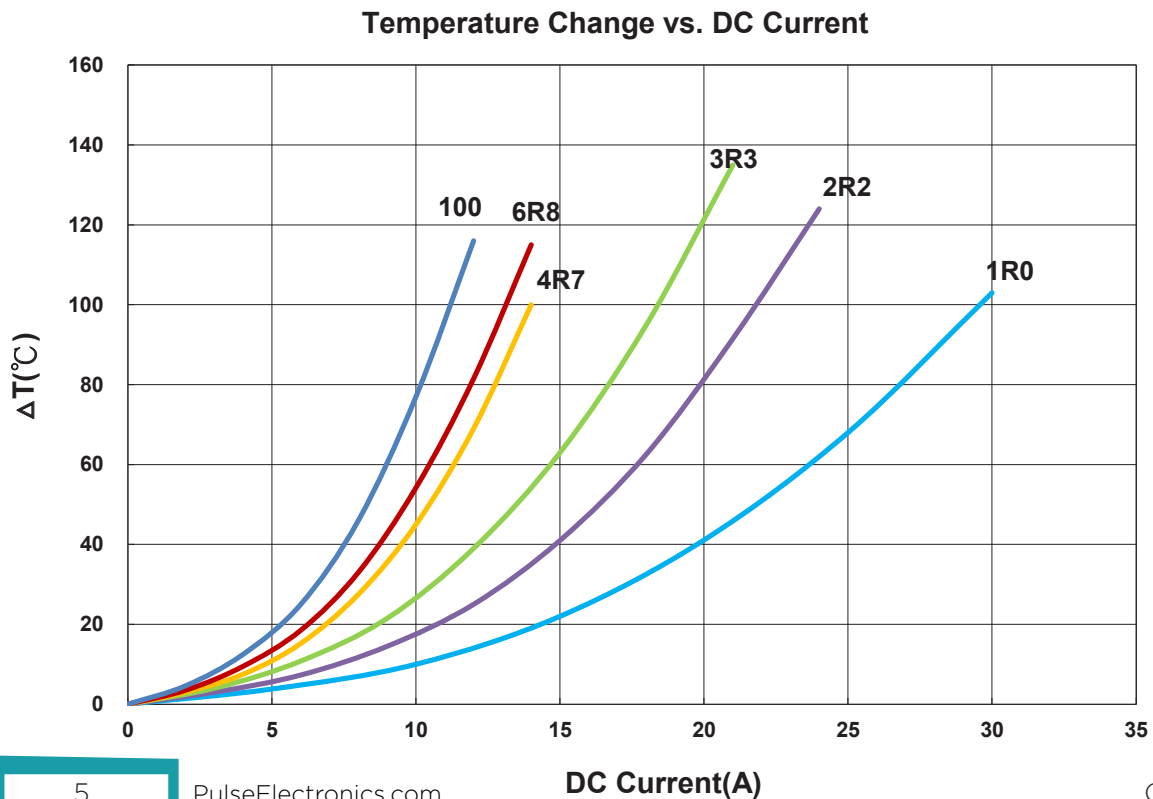
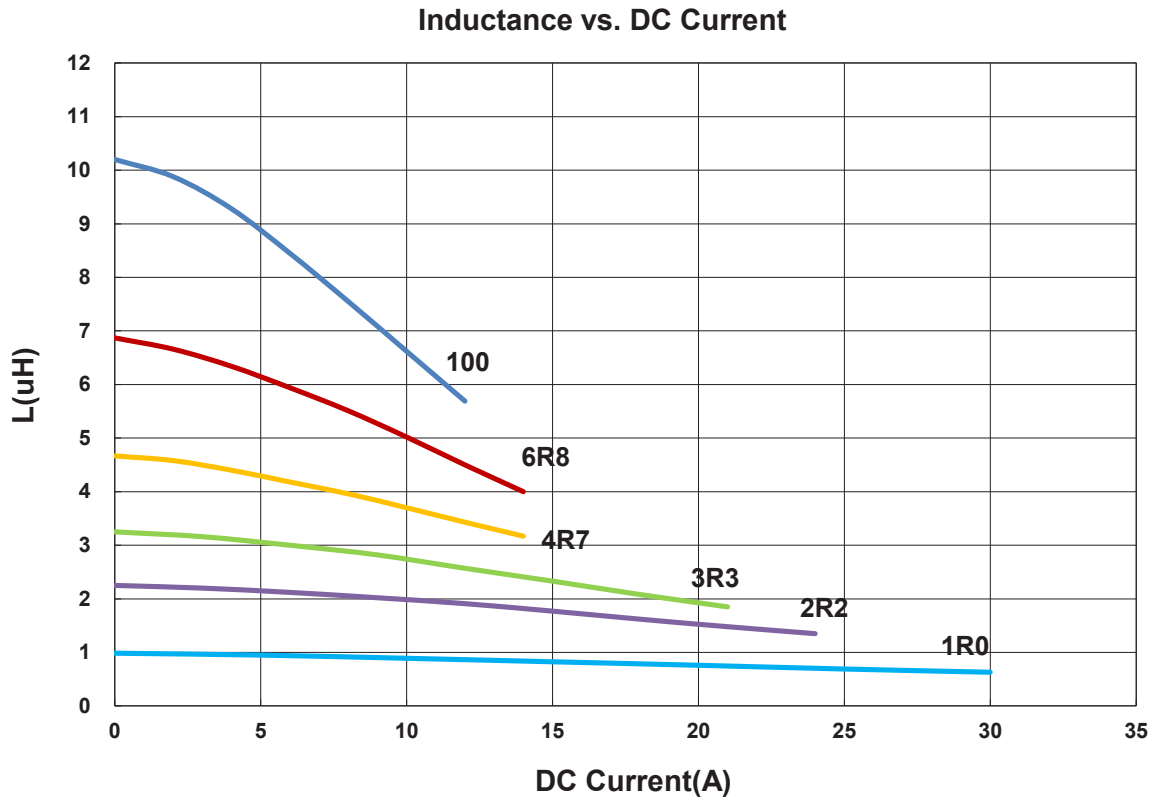
Part No.	Inductance (uH)	Test Freq.	RDC(mΩ) Max.(Typ)	Isat(A) Max.(Typ)	Irms(A) Typ.	Tolerance (±%)	Marking
AMQU001010401R0MA1	1	100kHz,0.5V	3.3(3.0)	20(24)	18	20	1R0
AMQU001010402R2MA1	2.2	100kHz,0.5V	6.5(5.9)	16(19)	14	20	2R2
AMQU001010403R3MA1	3.3	100kHz,0.5V	10.5(9.5)	13(16)	11	20	3R3
AMQU001010404R7MA1	4.7	100kHz,0.5V	15.5(14)	11(13.5)	9	20	4R7
AMQU001010406R8MA1	6.8	100kHz,0.5V	23(20)	9(12)	8	20	6R8
AMQU00101040100MA1	10	100kHz,0.5V	27(25)	6.5(8)	7	20	100

Note: When ordering, please specify tolerance code. Tolerance: M=±20%

- Operating temperature range - 40°C ~ 125°C
- Isat for Inductance drop 30% from its value without current
- Irms for a 40°C temperature rise from 25°C ambient with current
- Absolute maximum voltage 30VDC
- Measure Equipment:
 L: WK3260B or WK6500P
 RDC: CHEN HWA502 or 16502
 Isat: WK3260B+WK3265B
 Irms: CHROMA 1810

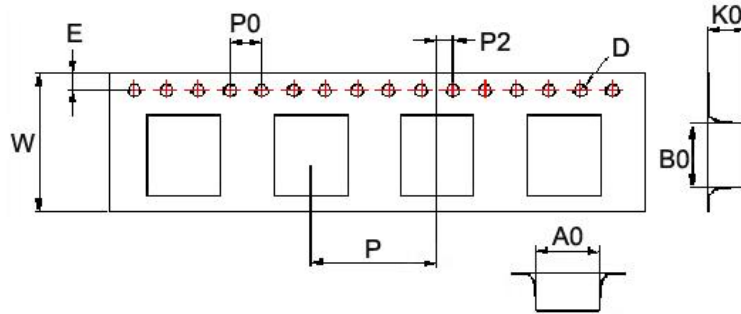
AMQU00101040 Type

Characteristics Graph

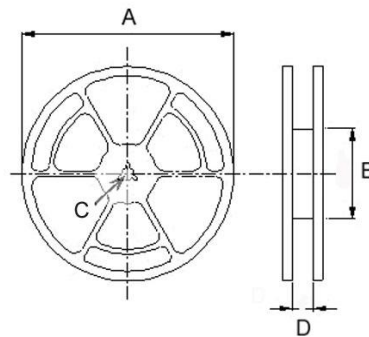


■ Packaging

Tape Dimensions



Reel Dimensions



Dimensions in mm

TYPE	Tape Dimensions									Reel Dimensions				Quantity
	A0	B0	K0	D	E	W	P	P0	P2	A	B	C	D	PCS / REEL
AMQU00060630	7.1	7.6	3.4	1.55	1.75	16	12	4	2	330	100	13	16	1000
AMQU00101040	10.6	11.7	4.25	1.55	1.75	24	16	4	2	330	100	13	24.4	500

For More Information:

Americas - prodinfo_power_americas@yageo.com | Europe - prodinfo_power_emea@yageo.com | Asia - prodinfo_power_asia@yageo.com

Performance warranty of products offered on this data sheet is limited to the parameters specified. Data is subject to change without notice. Other brand and product names mentioned herein may be trademarks or registered trademarks of their respective owners. © Copyright, 2022. Pulse Electronics, Inc. All rights reserved.

X-ON Electronics

Largest Supplier of Electrical and Electronic Components

Click to view similar products for [Fixed Inductors](#) category:

Click to view products by [Chilisin](#) manufacturer:

Other Similar products are found below :

[CR32NP-100KC](#) [70F224AI](#) [MHQ1005P10NJ](#) [MHQ1005P1N0S](#) [MHQ1005P2N4S](#) [MHQ1005P3N6S](#) [MHQ1005P5N1S](#) [MHQ1005P8N2J](#)
[PE-53601NL](#) [PE-53602NL](#) [PG0936.113NLT](#) [9220-20](#) [9310-16](#) [PM06-2N7](#) [PM06-39NJ](#) [A01TK](#) [1206CS-471XJ](#) [HC2-R47-R](#) [HC8-1R2-R](#)
[HCF1305-3R3-R](#) [1206CS-151XG](#) [RCH664NP-4R7M](#) [RCP1317NP-391L](#) [DH2280-4R7M](#) [DS1608C-106](#) [B10TJ](#) [B82498B3101J000](#) [ELJ-](#)
[RE27NJF2](#) [1812CS-153XJ](#) [1812CS-183XJ](#) [1812CS-223XJ](#) [1812LS-104XJ](#) [1812LS-105XJ](#) [1812LS-124XJ](#) [1812LS-154XJ](#) [1812LS-223XJ](#)
[1812LS-224XJ](#) [1812LS-563XJ](#) [1812LS-683XJ](#) [1812LS-824XJ](#) [NIN-FB101JTR110F](#) [NIN-FB471JTR62F](#) [NIN-FC1R5JTR220F](#) [NIN-](#)
[HCR15JTRF](#) [NIN-HCR33JTRF](#) [NIN-HDR22JTRF](#) [NIN-HDR82JTRF](#) [NIN-HK2N7STRF](#) [NIN-PA150KTR370F](#) [NIN-PB100KTR550F](#)