

BTCA Series



Chilisin offer multilayer devices of Low-Temperature Cofired Ceramics for applications in wireless communication as WLAN, Bluetooth etc. Our commitment is to meet your goals through extensive technological innovation, excellent quality, short lead time and high volume production capability.

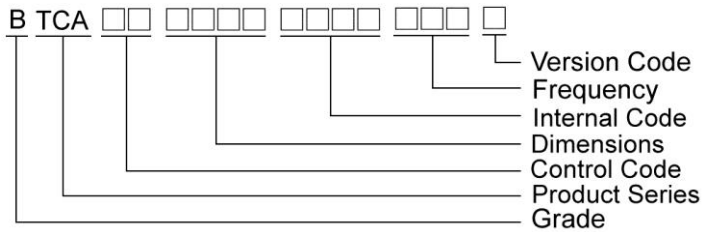
Features

- Monolithic SMD with small
- Low-profile and light-weight type

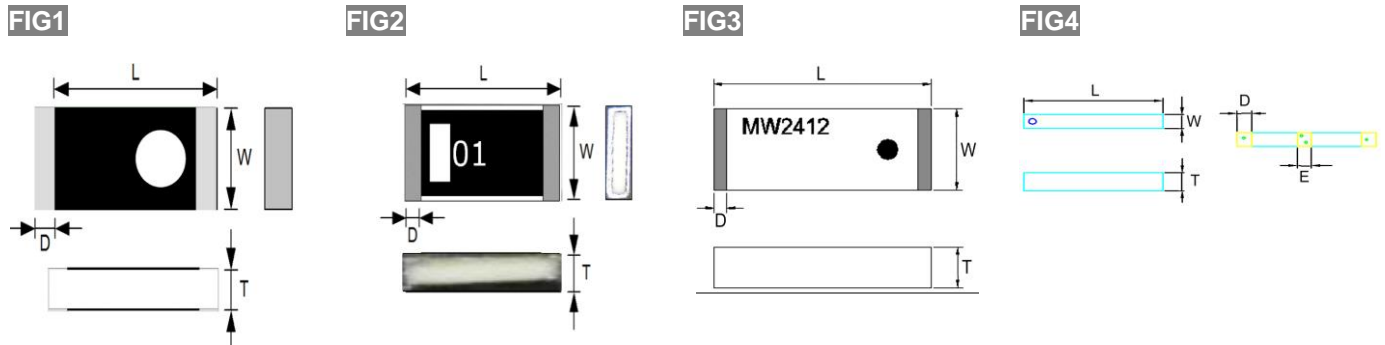
Applications

- Bluetooth
- 2.4GHz Wireless LAN
- Home RF
- Consumer electronic

Product Identification



Shape and Dimensions



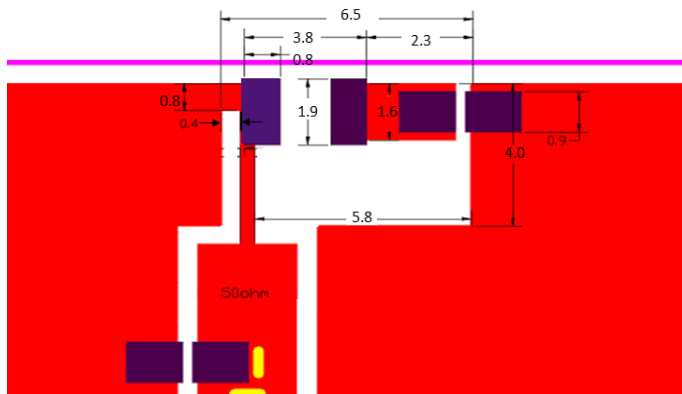
Dimensions in mm

| TYPE | FIG | L | W | D | T | E |
|--------------------|-----|---------|---------|----------|---------|----------|
| BTCA003216080025GE | 1 | 3.2±0.2 | 1.6±0.2 | 0.5±0.2 | 0.5±0.2 | - |
| BTCA00321609002G4W | 2 | 3.0±0.2 | 1.5±0.2 | 0.2±0.2 | 0.5±0.2 | - |
| BTCA00321609005G0W | 2 | 3.2±0.2 | 1.6±0.2 | 0.5±0.2 | 0.5±0.2 | - |
| BTCA005020100025GM | 3 | 5.0±0.4 | 2.0±0.4 | 0.3±0.2 | 1.0±0.2 | - |
| BTCA00801001002G4A | 4 | 8.0±0.3 | 1.0±0.3 | 0.85±0.2 | 1.2±0.3 | 0.75±0.2 |
| BTCA0080100100GPSA | 4 | 8.0±0.3 | 1.0±0.3 | 0.85±0.2 | 1.2±0.3 | 0.75±0.2 |

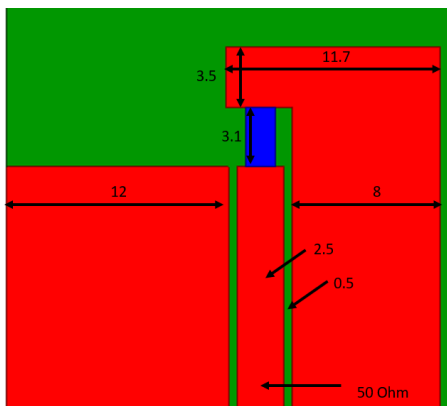
SMD Chip Series Antenna – BTCA Series

Recommended Pattern

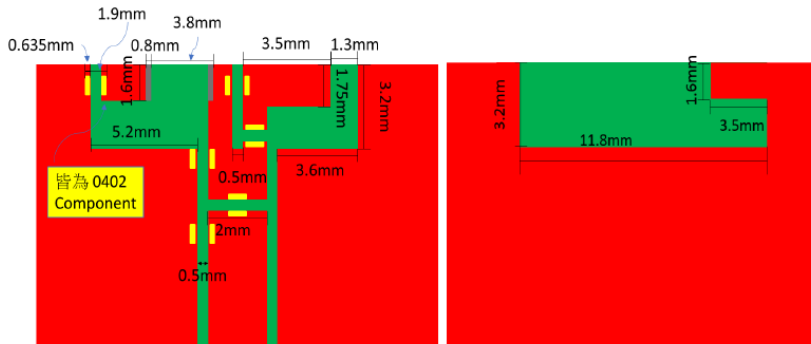
BTCA00321609002G4W



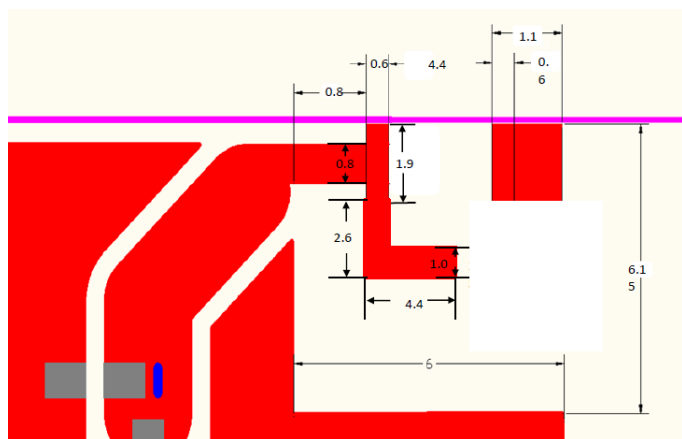
BTCA00321609005G0W



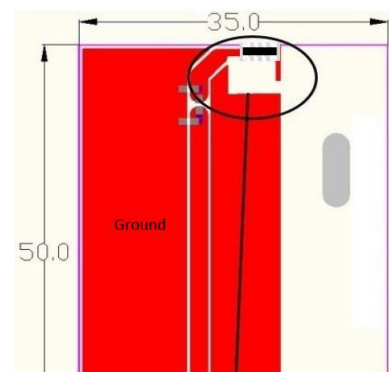
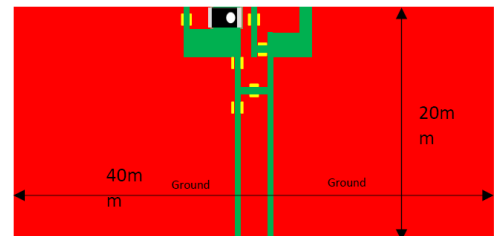
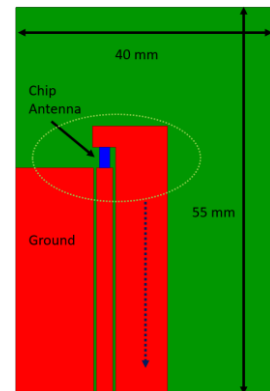
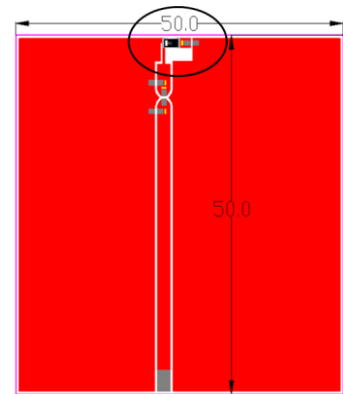
BTCA003216080025GE



BTCA005020100025GM



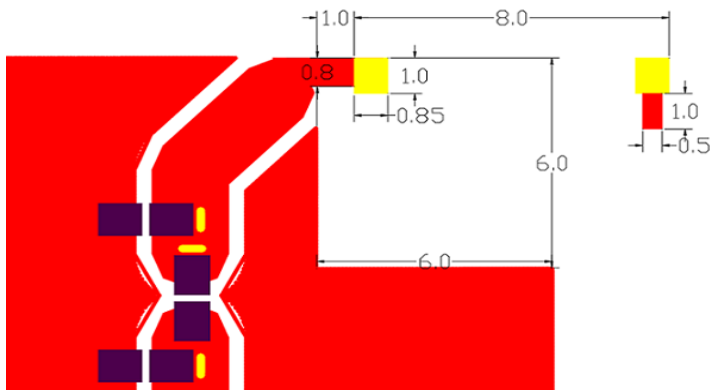
PC Board Pattern



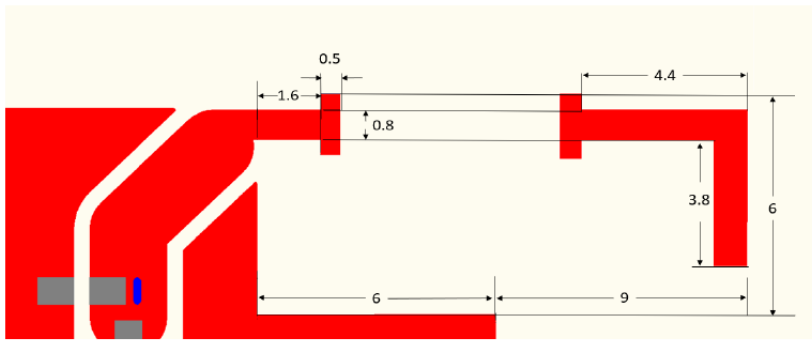
SMD Chip Series Antenna – BTCA Series

Recommended Pattern

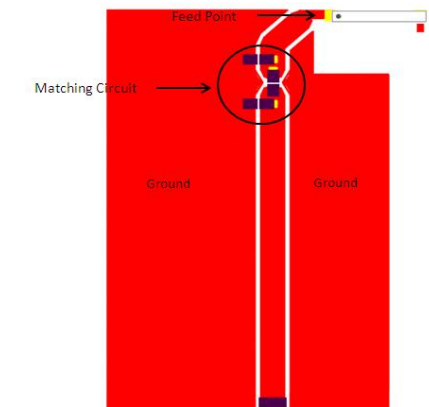
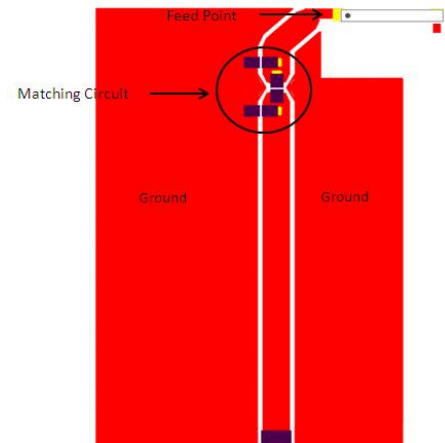
BTCA00801001002G4A



BTCA0080100100GPSA



PC Board Pattern



SMD Chip Series Antenna – BTCA Series

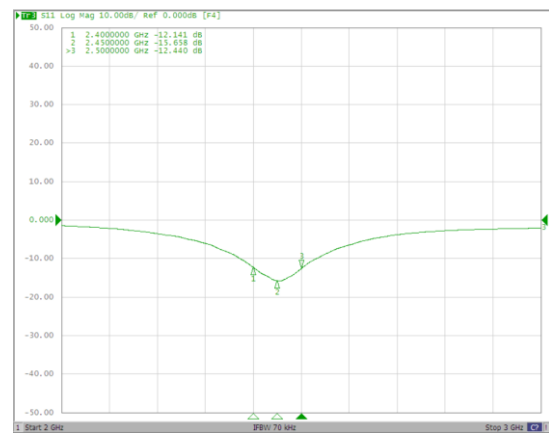
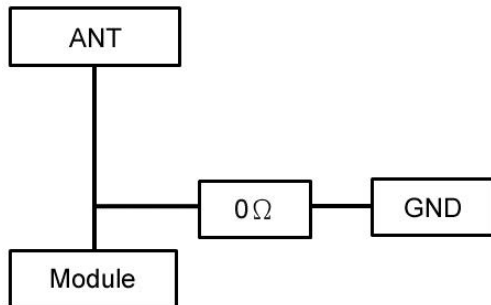
Electrical Characteristics

| Part Number | Impedance (Ω) | Test Frequency (GHz) | Bandwidth* (MHz) | Peak Gain* (dBi) | VSWR (Max) | Polarization |
|--------------------|------------------------|----------------------|------------------|------------------|------------|--------------|
| BTCA00321609002G4W | 50 | 2.4 | 100 | 0~1 | 2 | Linear |
| BTCA00321609005G0W | 50 | 5 | 100 | -0.3~1.3 | 2 | Linear |
| BTCA003216080025GE | 50 | 2.4 5 | 100 | 1~2 | 2 | Linear |
| BTCA005020100025GM | 50 | 2.4 5 | 100 | 3.2 | 2 | Linear |
| BTCA00801001002G4A | 50 | 2.4 | 100 | 2~3 | 2 | Linear |
| BTCA0080100100GPSA | 50 | 1.57542 | 100 | 2~3 | 2 | Linear |

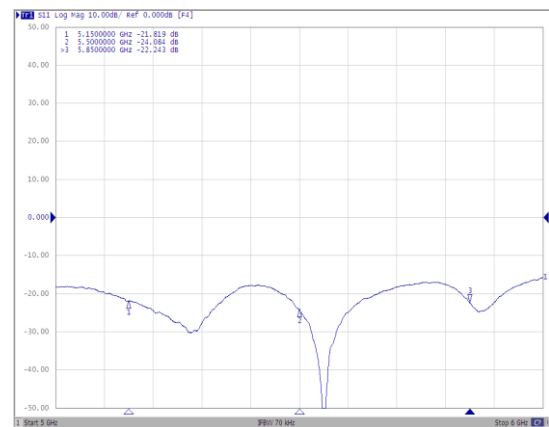
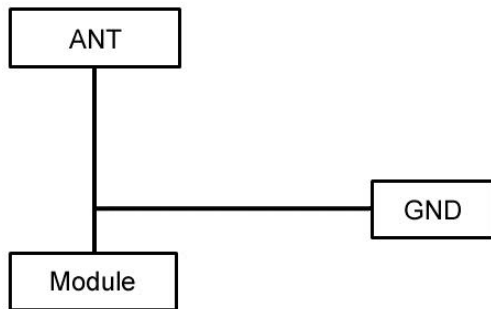
Note: *Depend on PCB layout.

Test Instruments : Agilent E4991A Material/Impedance Analyzer

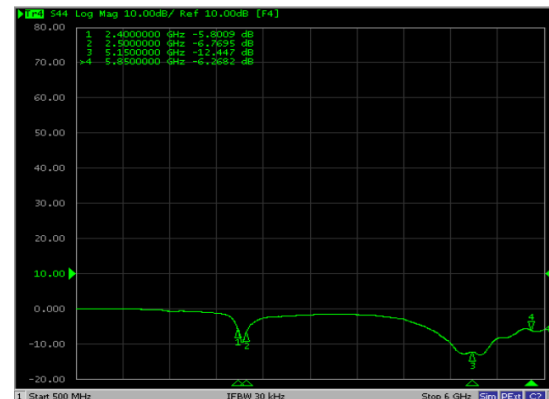
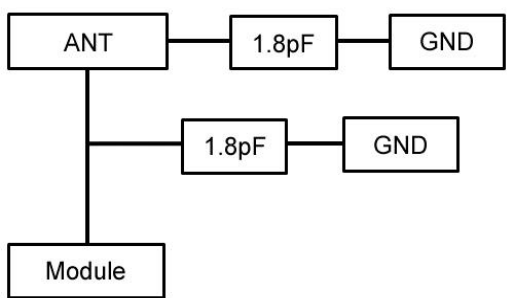
BTCA00321609002G4W



BTCA00321609005G0W



BTCA003216080025GE

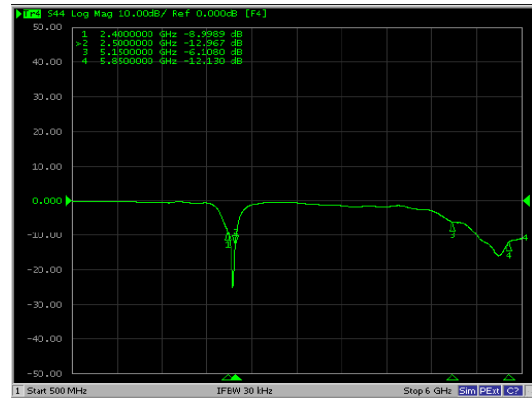
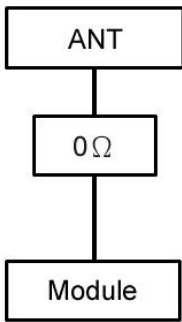


Please be sure to request approval specifications that provide further details of the products. Kindly note that the content of these specifications are subject to change or may be discontinued without prior notice. This product may not be designed/used in medical or high risk applications without Chilisin approval. Please contact our sales department before ordering.

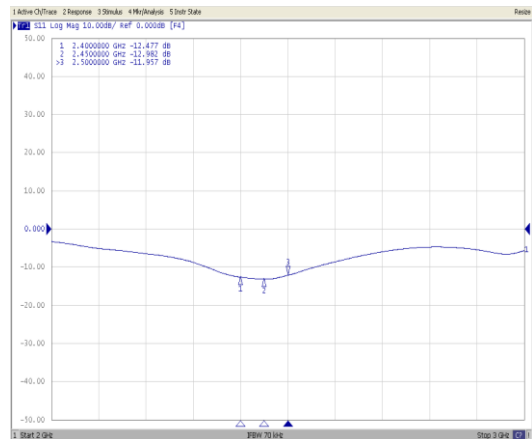
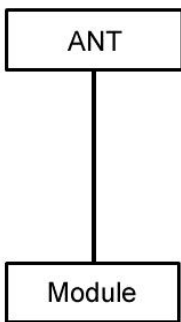
SMD Chip Series Antenna – BTCA Series

Test Instruments : Agilent E4991A Material/Impedance Analyzer

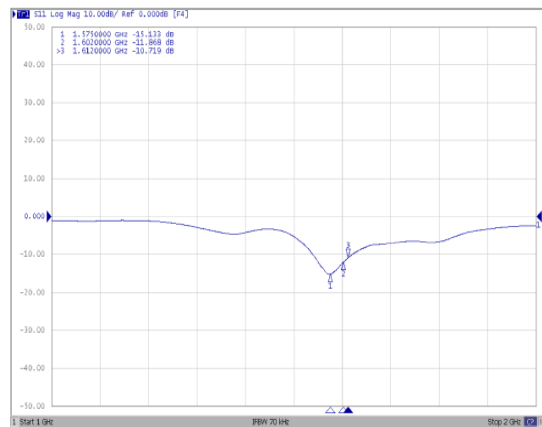
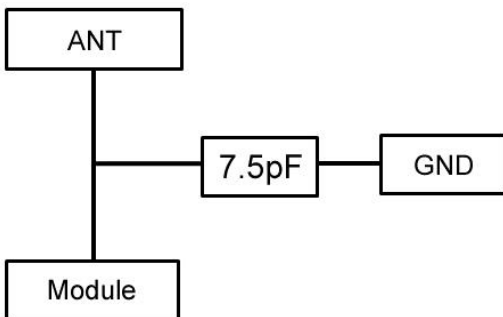
BTCA005020100025GM



BTCA00801001002G4A



BTCA0080100100GPSA



Please be sure to request approval specifications that provide further details of the products. Kindly note that the content of these specifications are subject to change or may be discontinued without prior notice. This product may not be designed/used in medical or high risk applications without Chilisin approval. Please contact our sales department before ordering.

Packaging Specifications

Tape Dimensions

Reel Dimensions

FIG 1

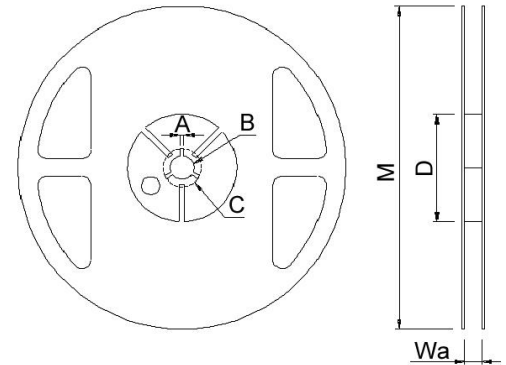
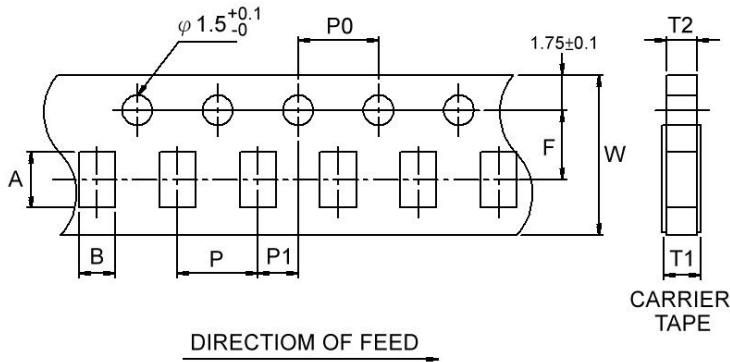


FIG 2

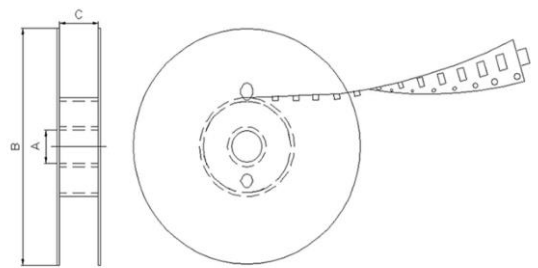
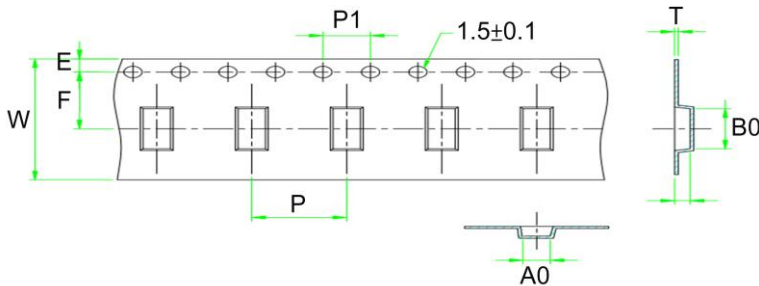
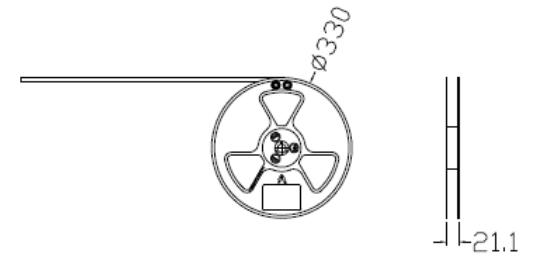
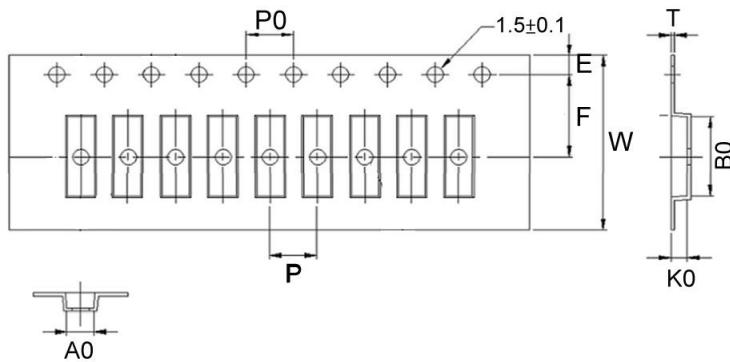


FIG 3



Dimensions

| TYPE | FIG | Tape Dimensions | | | | | | | | | | Reel Dimensions | | | | | | Quantity PCS / REEL |
|--------------|-----|-----------------|-----|------|------|----|----|----|-----|------|-----|-----------------|-----|---|-------|------------------------|----|------------------------|
| | | A | B | T1 | W | P | P0 | P1 | F | T2 | Wa | M | A | B | C | D | | |
| BTCA00321605 | 1 | 3.5 | 1.9 | 0.75 | 8 | 4 | 4 | 2 | 3.5 | 0.75 | | 9 | 178 | 2 | 13.5 | 21 | 60 | 5000 |
| | | | | | | | | | | | | 12 | 178 | 2 | 13.2 | 17.7 | 60 | |
| TYPE | FIG | Tape Dimensions | | | | | | | | | | Reel Dimensions | | | | Quantity PCS / REEL | | |
| | | A0 | B0 | T | E | W | P | P0 | F | K0 | A | B | C | D | | | | |
| BTCA005020 | 2 | 2.3 | 5.3 | 0.3 | 1.75 | 16 | 8 | 4 | 7.5 | 1.3 | 100 | 330 | 12 | - | 5000 | | | |
| BTCA008010 | 3 | 1.2 | 8.2 | 0.3 | 1.75 | 16 | 4 | 4 | 7.5 | 1.45 | - | - | - | - | 10000 | | | |

X-ON Electronics

Largest Supplier of Electrical and Electronic Components

Click to view similar products for [Antennas](#) category:

Click to view products by [Chilisin](#) manufacturer:

Other Similar products are found below :

[930-033-R](#) [EXE902SM](#) [APAMPG-117](#) [MAF94383](#) [W6102B0100](#) [108-00014-50](#) [66089-2406](#) [SPDA17RP918](#) [A09-F5NF-M](#)
[RGFRA1903041A1T](#) [108-00016-050](#) [W3921B0100](#) [SIMNA-868](#) [SIMNA-915](#) [SIMNA-433](#) [W1049B090](#) [TRABT1560](#) [W3118A](#)
[WTL2449CQ1-FRSMM](#) [CPL9C](#) [0600-00060](#) [GD5W-28P-NF](#) [MA9-7N](#) [GD53-25](#) [C37](#) [MAF94051](#) [B1322NR](#) [QWFTB120](#) [MAF94271](#)
[MAF94300](#) [GPSMB301](#) [FG4403](#) [MIKROE-2393](#) [DA5-32RADOME](#) [5200227](#) [GPSCPMM00](#) [W1049B030](#) [SPDA17RP918](#) [GPSCP00](#)
[ANTDOM-05-01-WPM](#) [EXW30BNX](#) [OSCAR1A/5M/SMAM/S/S/31](#) [ALPHA4A/1M/SMAM/S/S/26](#) [OSCAR1A/10M/SMAM/S/S/31](#)
[OSCAR1A/20M/SMAM/S/S/31](#) [OSCAR40/5M/LL/SMAM/S/S/33](#) [TANGO41/1M/SMAM/S/S/32](#) [ANTX100ETBAB24553](#) [S4908WBFNM](#)
[FXR.01.07.0100C.A](#)