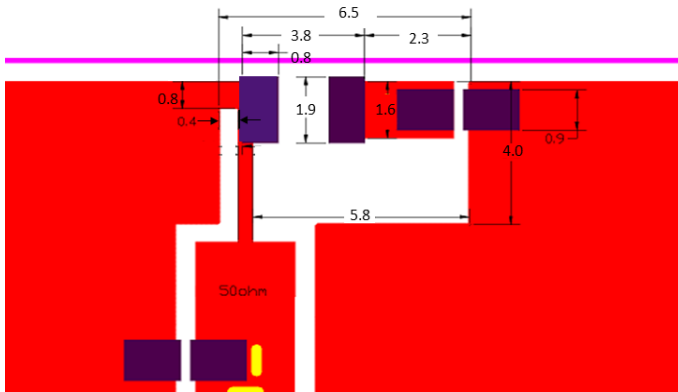




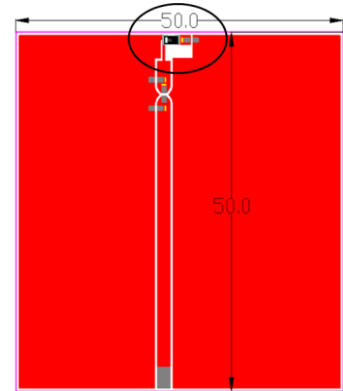
# SMD Chip Series Antenna – BTCA Series

## Recommended Pattern

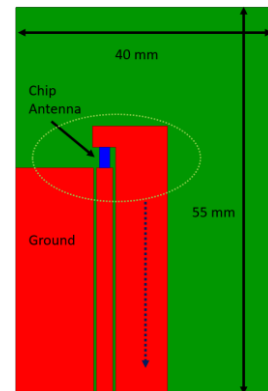
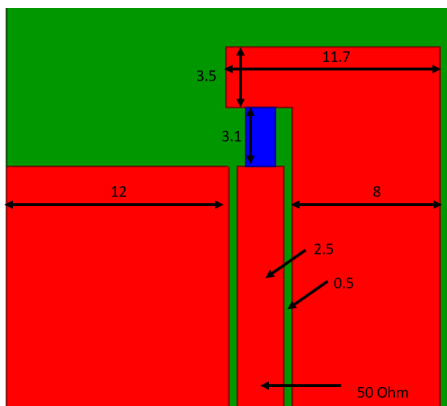
**BTCA00321609002G4W**



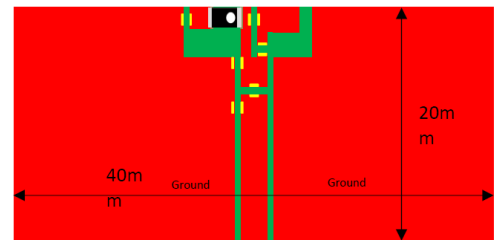
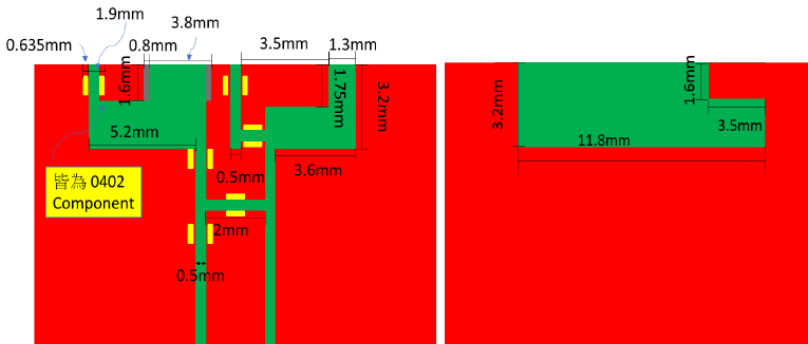
## PC Board Pattern



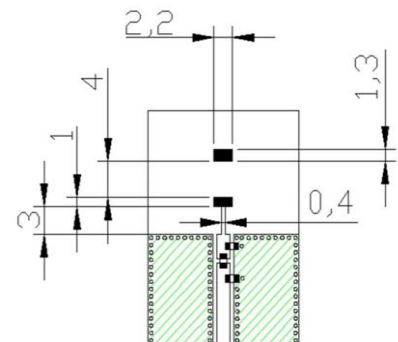
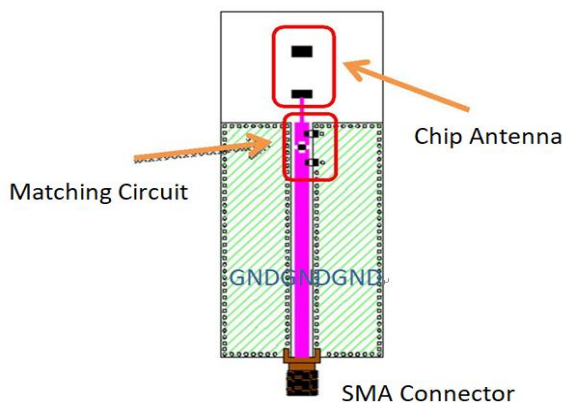
**BTCA00321609005G0W**



**BTCA003216080025GE**



**BTCA00502010002G4M**

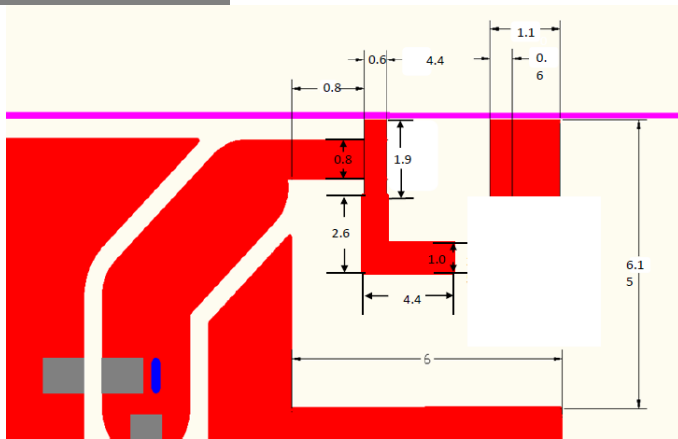


※ Test Board size is 40\*20mm / Ground plane size is 30\*20mm

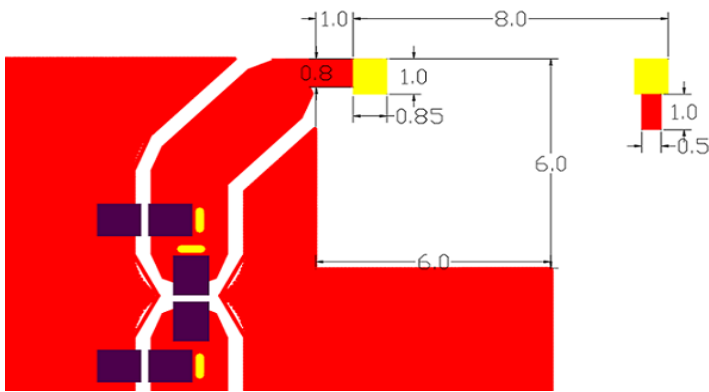
# SMD Chip Series Antenna – BTCA Series

## Recommended Pattern

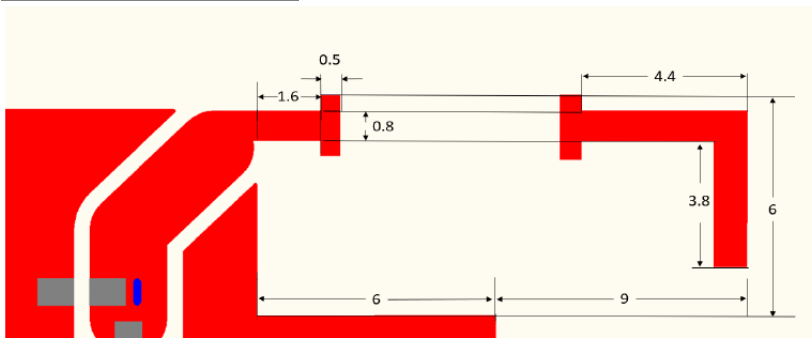
**BTCA005020100025GM**



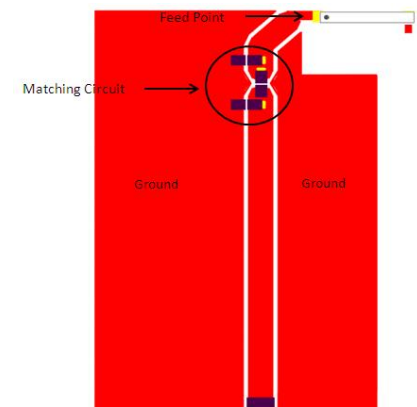
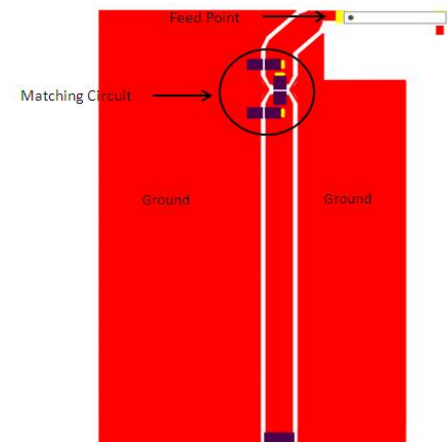
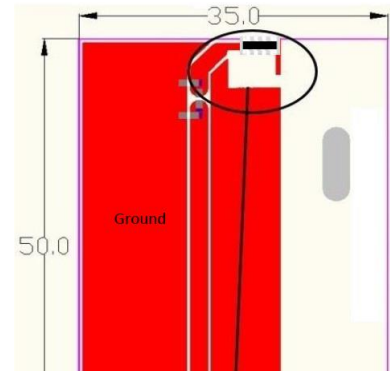
**BTCA00801001002G4A**



**BTCA0080100100GPSA**



## PC Board Pattern



# SMD Chip Series Antenna – BTCA Series

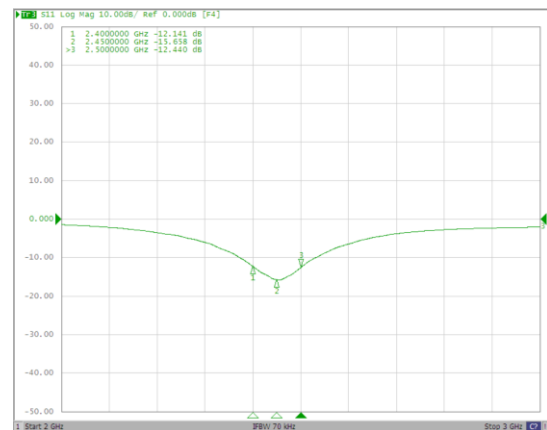
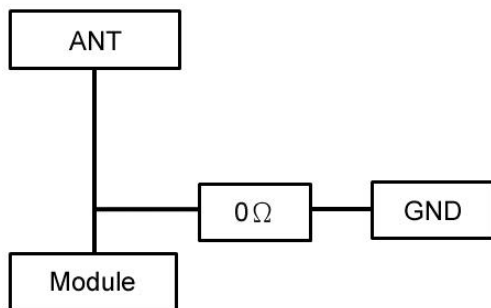
## Electrical Characteristics

Part Number	Impedance ( $\Omega$ )	Test Frequency (GHz)	Bandwidth* (MHz)	Peak Gain* (dBi)	VSWR (Max)	Polarization
BTCA00321609002G4W	50	2.4	100	0~1	2	Linear
BTCA00321609005G0W	50	5	100	-0.3~1.3	2	Linear
BTCA003216080025GE	50	2.4 5	100	1~2	2	Linear
BTCA00502010002G4M	50	2.4	100	3.2	2	Linear
BTCA005020100025GM	50	2.4 5	100	3.2	2	Linear
BTCA00801001002G4A	50	2.4	100	2~3	2	Linear
BTCA0080100100GPSA	50	1.57542	100	2~3	2	Linear

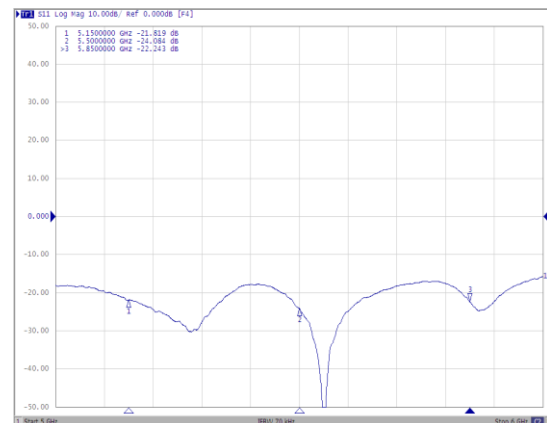
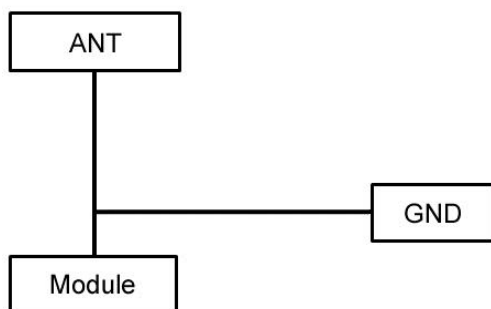
Note: \*Depend on PCB layout.

## Test Instruments : Agilent E4991A Material/Impedance Analyzer

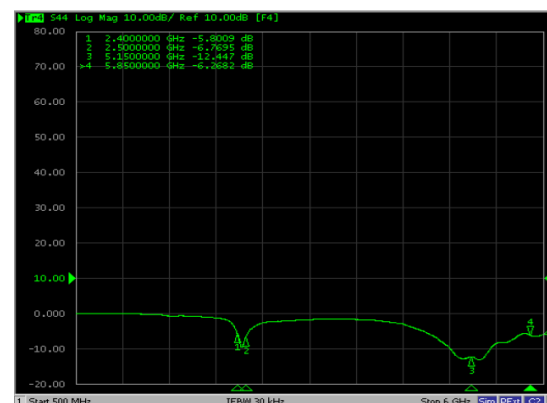
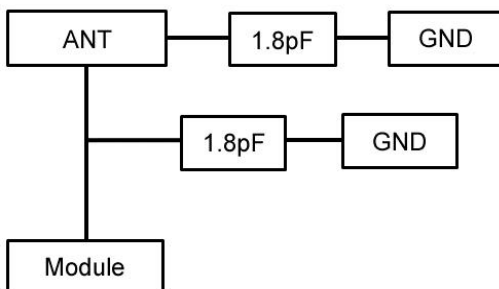
### BTCA00321609002G4W



### BTCA00321609005G0W



### BTCA003216080025GE



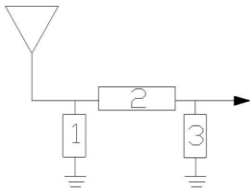
Please be sure to request approval specifications that provide further details of the products. Kindly note that the content of these specifications are subject to change or may be discontinued without prior notice. This product may not be designed/used in medical or high risk applications without Chilisin approval. Please contact our sales department before ordering.

# SMD Chip Series Antenna – BTCA Series

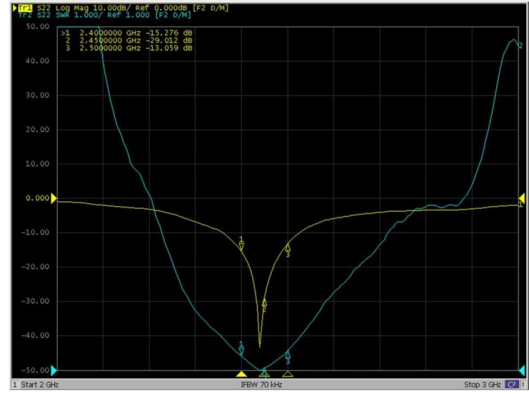
Test Instruments : Agilent E4991A Material/Impedance Analyzer

## BTCA00502010002G4M

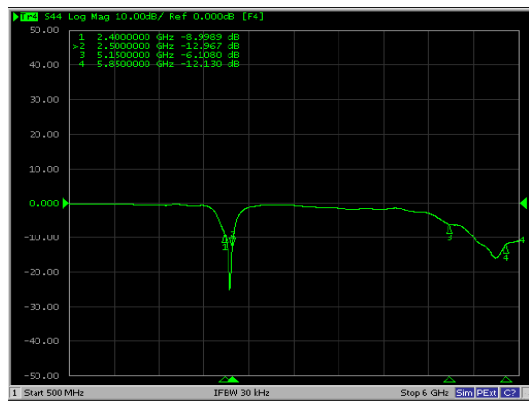
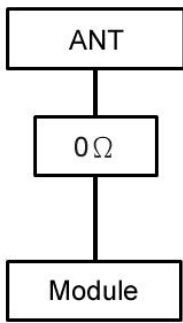
Antenna



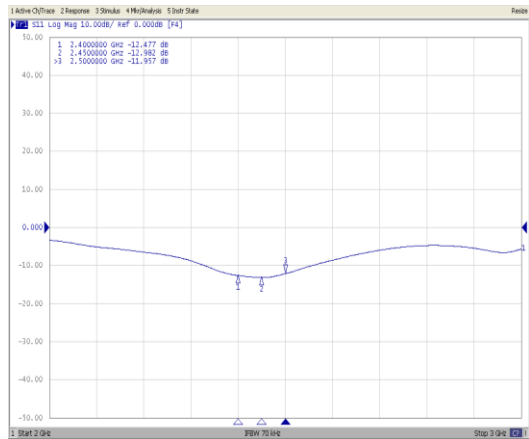
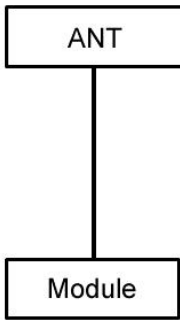
System Matching Circuit Component		
Location	Description	Vendor
Antenna	502010	MW
1	NC	
2	2.7nH	0402 TDK
3	1.2pf	0402TDK



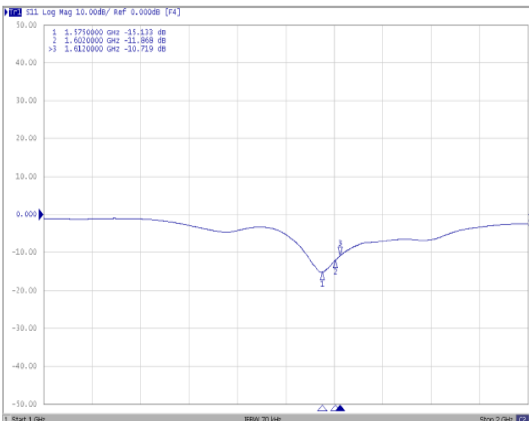
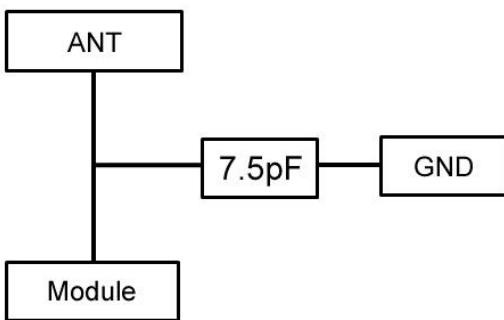
## BTCA005020100025GM



## BTCA00801001002G4A



## BTCA0080100100GPSA



Please be sure to request approval specifications that provide further details of the products. Kindly note that the content of these specifications are subject to change or may be discontinued without prior notice. This product may not be designed/used in medical or high risk applications without Chilisin approval. Please contact our sales department before ordering.

# SMD Chip Series Antenna – BTCA Series

## Packaging Specifications

Tape Dimensions

Reel Dimensions

FIG 1

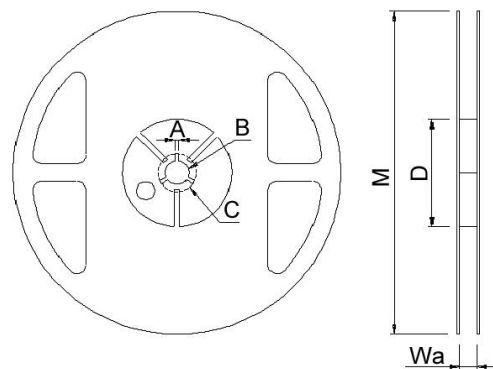
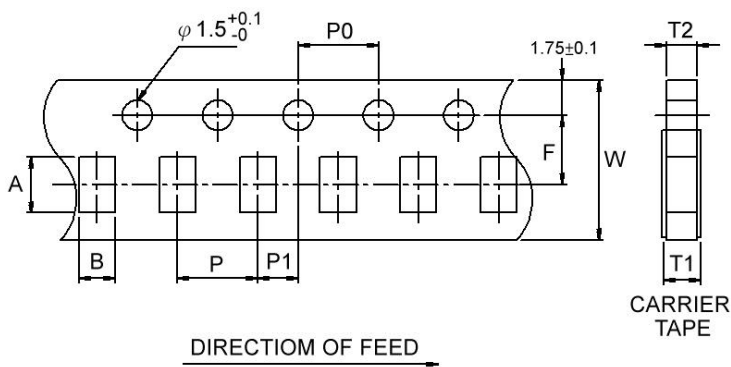


FIG 2

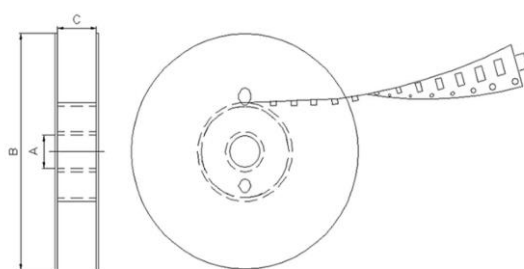
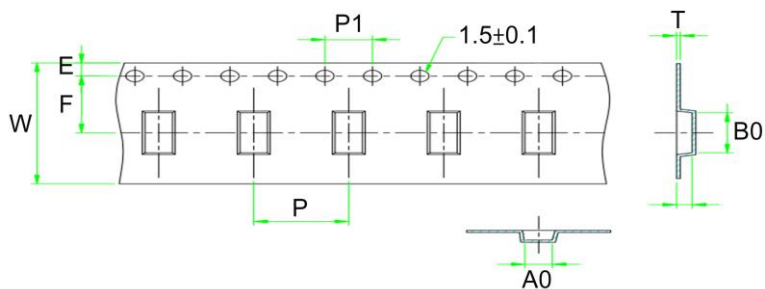
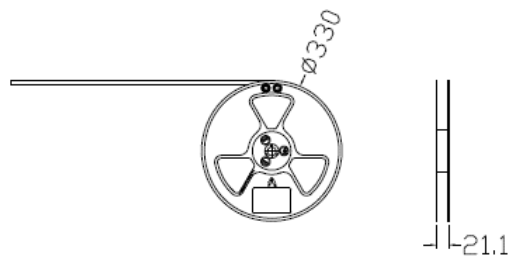
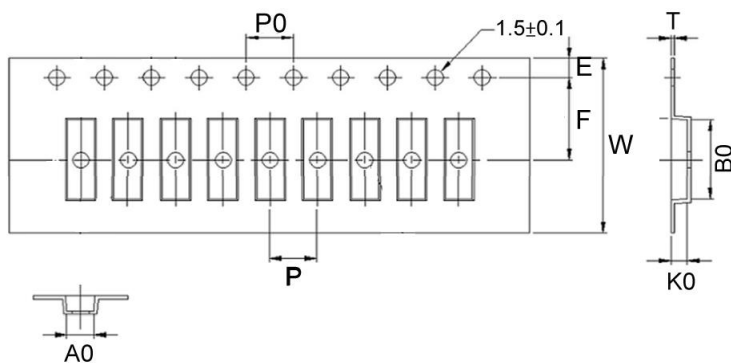


FIG 3



TYPE	FIG	Tape Dimensions										Reel Dimensions						Quantity
		A	B	T1	W	P	P0	P1	F	T2	Wa	M	A	B	C	D	PCS / REEL	
BTCA00321605	1	3.5	1.9	0.75	8	4	4	2	3.5	0.75	9	178	2	13.5	21	60	5000	
											12	178	2	13.2	17.7	60		
TYPE	FIG	Tape Dimensions										Reel Dimensions				Quantity		
		A0	B0	T	E	W	P	P0	F	K0	A	B	C	D	PCS / REEL			
BTCA005020	2	2.3	5.3	0.3	1.75	16	8	4	7.5	1.3	100	330	12	-	5000			
BTCA008010	3	1.2	8.2	0.3	1.75	16	4	4	7.5	1.45	-	-	-	-	10000			

## X-ON Electronics

Largest Supplier of Electrical and Electronic Components

*Click to view similar products for [Antennas](#) category:*

*Click to view products by [Chilisin](#) manufacturer:*

Other Similar products are found below :

[930-033-R](#) [EXE902SM](#) [APAMPG-117](#) [MAF94383](#) [W6102B0100](#) [108-00014-50](#) [66089-2406](#) [SPDA17RP918](#) [A09-F5NF-M](#)  
[RGFRA1903041A1T](#) [108-00016-050](#) [W3921B0100](#) [SIMNA-868](#) [SIMNA-915](#) [SIMNA-433](#) [W1049B090](#) [TRABT1560](#) [W3118A](#)  
[WTL2449CQ1-FRSMM](#) [CPL9C](#) [0600-00060](#) [GD5W-28P-NF](#) [MA9-7N](#) [GD53-25](#) [C37](#) [MAF94051](#) [B1322NR](#) [QWFTB120](#) [MAF94271](#)  
[MAF94300](#) [GPSMB301](#) [FG4403](#) [MIKROE-2393](#) [DA5-32RADOME](#) [5200227](#) [GPSCPMM00](#) [W1049B030](#) [SPDA17RP918](#) [GPSCP00](#)  
[ANTDOM-05-01-WPM](#) [EXW30BNX](#) [OSCAR1A/5M/SMAM/S/S/31](#) [ALPHA4A/1M/SMAM/S/S/26](#) [OSCAR1A/10M/SMAM/S/S/31](#)  
[OSCAR1A/20M/SMAM/S/S/31](#) [OSCAR40/5M/LL/SMAM/S/S/33](#) [TANGO41/1M/SMAM/S/S/32](#) [ANTX100ETBAB24553](#) [S4908WBFNM](#)  
[FXR.01.07.0100C.A](#)