



RoHS & Halogen Free & REACH Compliance.

SPECIFICATION FOR APPROVAL

Customer : _____

Customer P/N : _____

Drawing No : _____

Quantity : _____ Pcs. Date : _____

Chilisin P/N : _____ **BTLB001109KXVHBA10** _____

SPECIFICATION ACCEPTED BY:	
COMPONENT ENGINEER	
ELECTRICAL ENGINEER	
MECHANICAL ENGINEER	
APPROVED	
REJECTED	

奇力新電子股份有限公司
Chilisin Electronics Corp
No. 29, Alley 301, Tehhsin Rd.,
Hukou, Hsinchu 303, Taiwan
TEL : +886-3- 599-2646
FAX : +886-3- 599-9176
E-mail : sales@chilisin.com
http : //www.chilisin.com

東莞奇力新電子(東莞廠)有限公司
Chilisin Electronics (Dongguan) Co., Ltd.
No. 78, Puxing Rd., Yuliangwei Administration
Area, Qingxi Town, Dongguan City,
Guangdong, China
TEL : +86-769-8773-0251~3
FAX : +86-769-8773-0232
E-mail : cect@chilisin.com

奇力新電子(越南廠)有限公司
Chilisin Electronics (Vietnam) Limited
No 143 - 145, Road No 10, VSIP Hai
Phong, Lap Le Commune, Thuy Nguyen
Dist, Haiphong City, Vietnam
Tel : 84-316 255 688 Fax : 84-316 255 689
E-mail : sales@chilisin.com

奇力新電子(湖南廠)有限公司
HuNan Chilisin Electronics Technology Co., Ltd
No. 8, Shaziao Liangshuijing Town, Yuanling
County, Huaihua City, Hunan Province 419601,
China
Tel : 86-745-867-5882
E-mail : cect@chilisin.com

Drawn by YH	Checked by CF	Approved by Derek
-----------------------	-------------------------	-----------------------------



ISO9001 ISO14001 IATF16949 CHILISIN ELECTRONICS CORP.

APPLICATION

WiFi/ LTE

FEATURES

1-1 Compact Size

Miniaturized SMD packaged in low profile and lightweight.

1-2 Low loss

Low insertion loss, high attenuation.

1-3 High Soldering Heat Resistance

High quality termination allows both flow and re-flow soldering methods to be applied.

1-4 Characteristics

Eliminate noise over a wide frequency range. Idea for high frequency and space limited designs.

1-5 Available in tape and reel packaging for automatic mounting

PRODUCT IDENTIFICATION

<u>B T L B</u>	<u>0 0</u>	<u>1 1 0 9</u>	<u>###xx</u>	<u>A 1</u>	<u>0</u>
①	②	③	④	⑤	⑥

- ① Product Code
- ② Customer Code
- ③ Dimension Code
- ④ Series Type (### represents center frequency and xx represents material type)
- ⑤ Design Code
- ⑥ Version Code

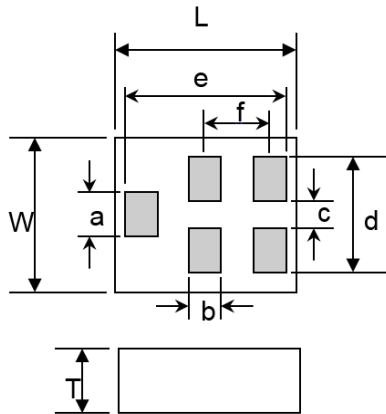
ELECTRICAL REQUIREMENTS

Part No.	Pass Band	Insertion Loss in BW	Return Loss	Attenuation
BTLB001109KXVHBA10	2400~2500 MHz	1 dB max. at 25°C 1.2 dB max. at 105°C	15 dB min.	20 dB min. at 50~960 MHz 30 dB min. at 1560~1606 MHz 15 dB min. at 1710~1990 MHz 10 dB min. at 3600 MHz 35 dB min. at 4800~5000 MHz 25 dB min. at 7200~7500 MHz

Operating Temperature Range : -40~105°C

Power Capacity : 3W max.

PRODUCT DIMENSION

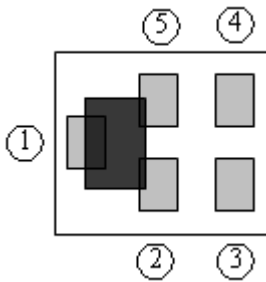


L	W	T	a
1.10±0.10	0.90±0.10	0.60 max.	0.25±0.05
b	c	d	e
0.18±0.05	0.25±0.05	0.75±0.05	0.95±0.05
f			
0.385±0.05			

NOTE : Dimensions in mm.

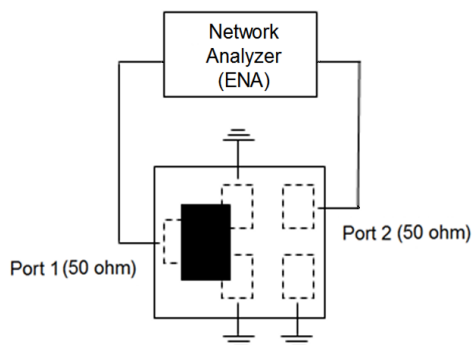
TERMINAL CONFIGURATION

Top View



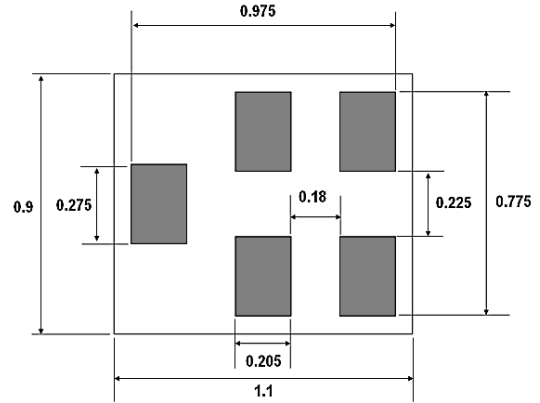
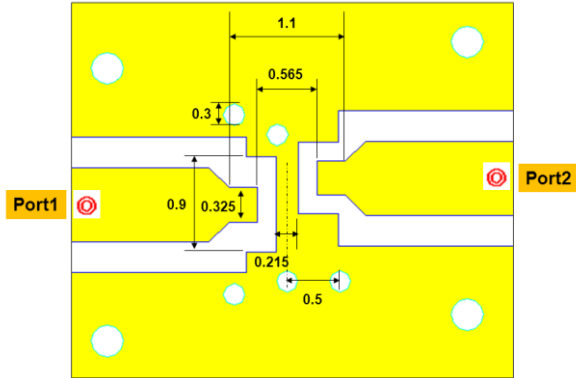
- ① IN
- ② GND
- ③ GND
- ④ OUT
- ⑤ GND

MEASURING DIAGRAM



Test Instrument :
Agilent E5071A Network Analyzer.

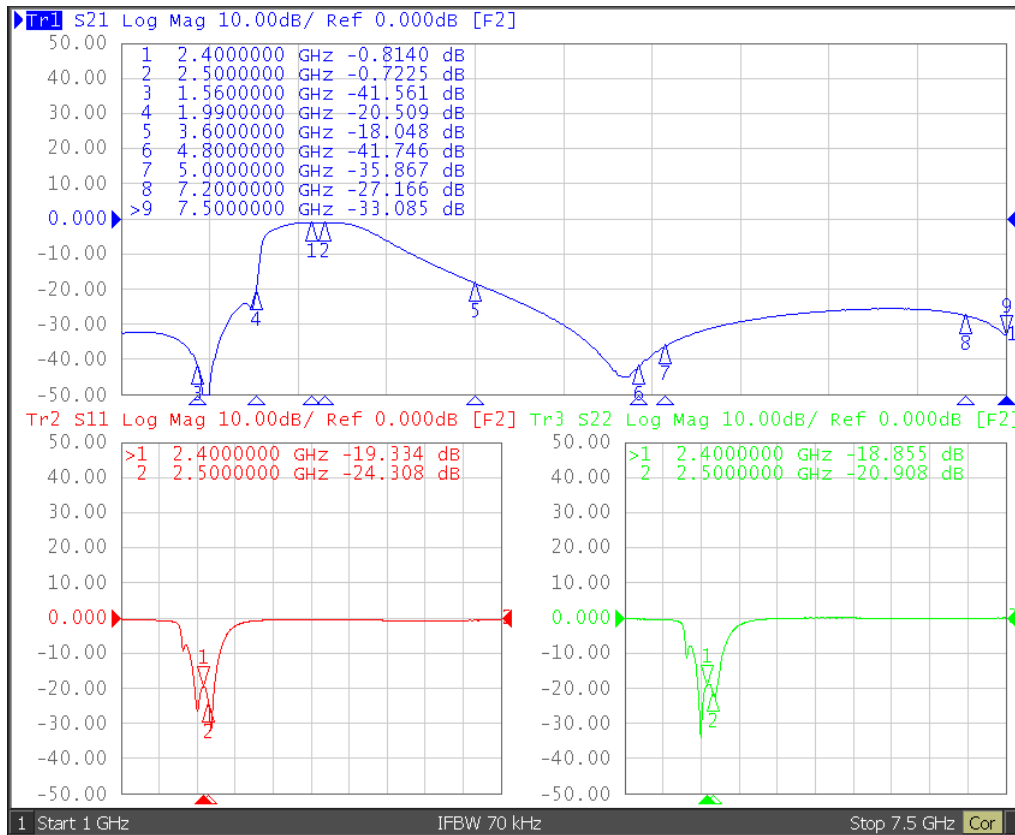
RECOMMENDED PCB LAYOUT AND LAND PATTERN



Unit : mm

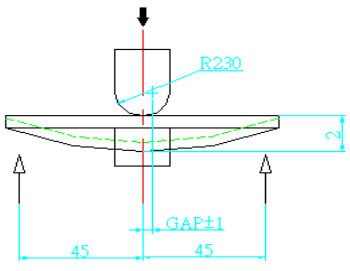
⊙ Line width should be designed to match 50Ω characteristic impedance, depending on PCB material and thickness.

ELECTRICAL CHARACTERISTICS (T = 25°C)



RELIABILITY TEST

Mechanical Test

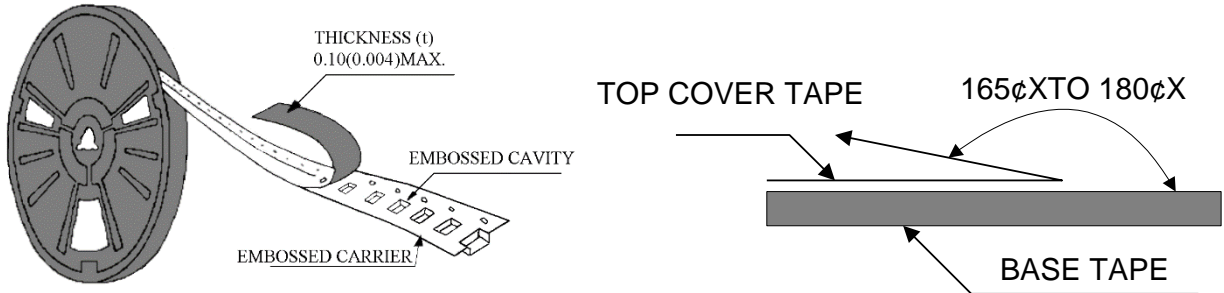
Item	Test Condition	Specification
Vibration	10 Hz/min~55 Hz/min~10 Hz/min vibration frequency with 1.5 mm amplitude for two hours in x, y, z directions	No apparent damage
Drop shock	Dropped onto printed circuit board from 100cm height three times in x, y, z directions. The terminals shall be protected.	No apparent damage
Soldering heat resistance	Preheating temperature : $150\pm 10^{\circ}\text{C}$ Preheating time : 1 to 2 minutes Solder bath temperature : $260\pm 5^{\circ}\text{C}$ Bathing time : 10 ± 1 seconds	Loss of metallization on the edges of each electrode shall not exceed 25%.
Bending test onto printed circuit board	Solder specimen LTCC components on the test printed circuit board (L: 100 x W: 40 x T: 1.6mm) in appended recommended PCB pattern. Apply the load in direction of the arrow until bending reaches 2 mm. 60sec holding time.  Unit: mm	No apparent damage
Solderability	*Solder bath temperature : $245\pm 5^{\circ}\text{C}$ *Immersion time : 3 ± 1 seconds. Solder : Sn3Ag0.5Cu for lead-free	At least 95% of a surface of each terminal electrode must be covered by fresh solder.
Adhesive strength	Standard is as follows 0605~1005 $>0.1\text{KgF}$ 1109~2016 $>0.5\text{KgF}$ 2520~ $>1\text{KgF}$	No apparent damage

Environment Test

Thermal shock	$-40^{\circ}\text{C} \sim 105^{\circ}\text{C}$ for 100 cycles each cycle being 30 min	No apparent damage Fulfill the electrical spec. after test
Humidity resistance	$105\pm 2^{\circ}\text{C}$, 80~90% R.H. for 1000 hours	No apparent damage Fulfill the electrical spec. after test
High temperature resistance	$105\pm 2^{\circ}\text{C}$ for 1000 hours	No apparent damage Fulfill the electrical spec. after test
Low temperature resistance	$-40\pm 3^{\circ}\text{C}$ for 1000 hours	No apparent damage Fulfill the electrical spec. after test

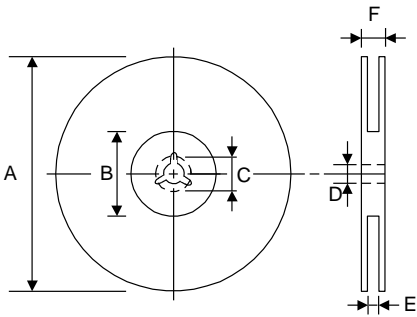
PACKAGING FOR SMC

Peel-off force



The force for peeling off cover tape is 10 grams in the arrow direction.

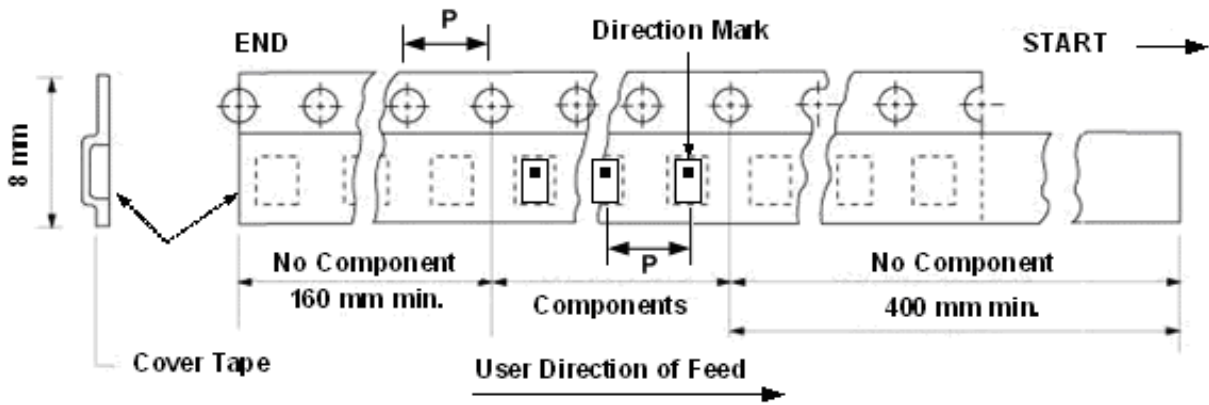
Dimension (Unit: mm)



TYPE	A	B	C	D	E	F
8 mm	178±1	60+0.5 -0	-	13±0.2	9±0.5	12±0.5
12 mm	178±0.3	60±0.2	19.3±0.1	13.5±0.1	13.6±0.1	-

Taping quantity

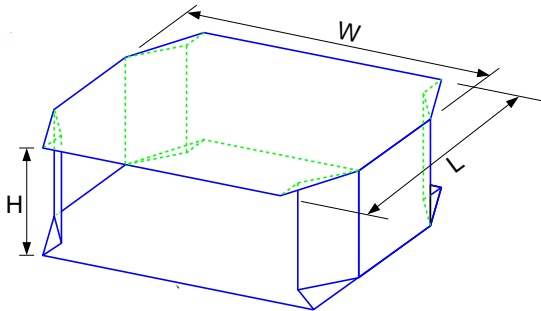
SERIES	5824 5724	5320 5220	4532	4516	3225	3216 2520	2012 1608 1109	1005
PCS/Reel	5000	3000	1000	2000	2500	3000	4000	10000



P= 4 mm

TAPE PACKING CASE

Unit:cm



No. of Reels	W	L	H
2	18±0.5	18±0.5	2.4±0.2
3	18±0.5	18±0.5	3.6±0.2
4	18±0.5	18±0.5	4.8±0.2
5	18±0.5	18±0.5	6.0±0.2

MSL RATING

Level 1

OPERATION TEMPERATURE

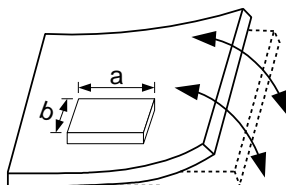
-40°C~105°C

STORAGE CONDITION

The temperature should be within -40~105°C and humidity should be less than 75% RH. The product should be used within 6 months from the time of delivery.

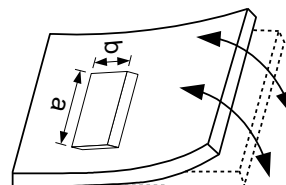
ATTENTION REGARDING PCB BENDING

- (a) PCB shall be designed so that products are not subjected to the mechanical stress for board warpage. Product shall be located in the sideways direction to the mechanical stress.



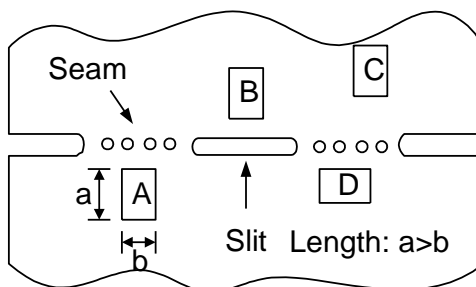
(Poor example)

Length: $a > b$

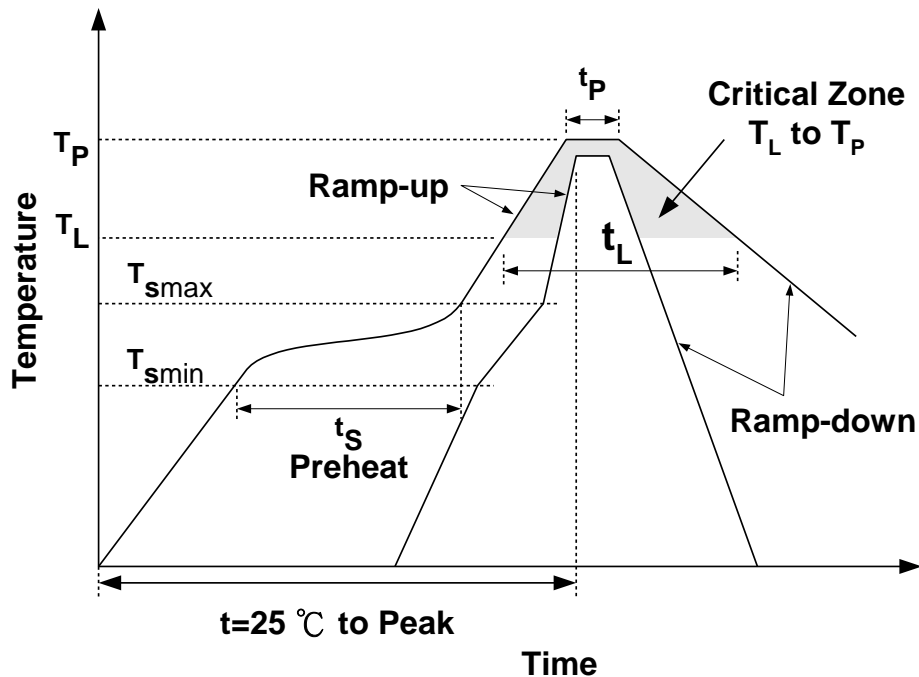


(Good example)

- (b) Products (A,B,C,D) shall be located carefully so that products are not subjected to the mechanical stress due to warping the board. Because they may be subjected to the mechanical stress in order of $A > C > B \approx D$.



RECOMMENDED REFLOW SOLDERING PROFILE



Profile Feature		Sn-Pb	Pb-Free
Preheat	t_s	60~120 seconds	60~180 seconds
	T_{smin}	100°C	150°C
	T_{smax}	150°C	200°C
Average ramp-up rate (T_{smax} to T_P)		3°C/second max.	3°C/second max.
Time main above	Temperature (T_L)	183°C	217°C
	Time (t_L)	60~150 seconds	60~150 seconds
Peak temperature (T_P)		230°C	250~260°C
Time within 5°C of actual peak temperature (t_p)		10 seconds	10 seconds
Ramp-down rate		6°C/sec max.	6°C/sec max.
Time 25°C to peak temperature		6 minutes max.	8 minutes max.

NOTES

The contents of this data sheet are subject to change without notice. Please confirm the specifications and delivery conditions when placing your order.

X-ON Electronics

Largest Supplier of Electrical and Electronic Components

Click to view similar products for [Signal Conditioning](#) category:

Click to view products by [Chilisin](#) manufacturer:

Other Similar products are found below :

[MAPDCC0004](#) [PD0409J5050S2HF](#) [HHS-109-PIN](#) [AFS14A35-1591.50-T3](#) [DS-323-PIN](#) [DSS-313-PIN](#) [1A0220-3](#) [JP510S](#)

[LFB212G45SG8C341](#) [LFB322G45SN1A504](#) [LFL182G45TC3B746](#) [SF2159E](#) [30057](#) [AFS1575.42S4-T](#) [FM-104-PIN](#) [CER0813B](#)

[MAPDCC0005](#) [3A325](#) [40287](#) [BD0810N50100AHF](#) [JHS-115-PIN](#) [DC0710J5005AHF](#) [DC2327J5005AHF](#) [43020](#) [LFB2H2G60BB1C106](#)

[LFL15869MTC1B787](#) [X3C19F1-20S](#) [XC3500P-20S](#) [10013-20](#) [SF2194E](#) [CDBLB455KCAX39-B0](#) [RF1353C](#) [051157-0000](#)

[PD0922J5050D2HF](#) [1E1305-3](#) [1F1304-3S](#) [1G1304-30](#) [B0922J7575AHF](#) [10017-3](#) [TP-103-PIN](#) [BD1222J50200AHF](#) [BD1722J50100AHF](#)

[2450DP39K5400E](#) [BD0810J50150AHF](#) [BD1722J50200AHF](#) [DSS-113-PIN](#) [DS-327-PIN](#) [MACP-008125-CK07F0](#) [DS-329-PIN](#) [DS-313-PIN](#)