



ISO9001 ISO14001 IATF16949 **CHILISIN ELECTRONICS CORP.**  
**RoHS & Halogen Free & REACH Compliance.**

**SPECIFICATION FOR APPROVAL**

**Customer :** 天河星

**Customer P/N:**

**Drawing No :** IE1-030338

**Quantity :** 0 **Pcs.** **Date :** 2020/3/25

**Chilisin P/N :** HEI201610B-R10N-Q8DH

SPECIFICATION ACCEPTED BY:	
<b>COMPONENT ENGINEER</b>	
<b>ELECTRICAL ENGINEER</b>	
<b>MECHANICAL ENGINEER</b>	
<b>APPROVED</b>	
<b>REJECTED</b>	

**奇力新電子股份有限公司**  
 Chilisin Electronics Corp  
 No. 29, Alley 301, Tehhsin Rd.,  
 Hukou,Hsinchu 303, Taiwan  
 TEL : +886-3- 599-2646  
 FAX : +886-3- 599-9176  
 E-mail : sales@chilisin.com  
 http : //www.chilisin.com

**東莞奇力新電子(東莞廠)有限公司**  
 Chilisin Electronics (Dongguan) Co., Ltd.  
 No. 78, Puxing Rd., Yuliangwei Administration  
 Area, Qingxi Town, Dongguan City,  
 Guangdong,China  
 TEL : +86-769-8773-0251~3  
 FAX : +86-769-8773-0232  
 E-mail : cect@chilisin.com

**奇力新電子(越南廠)有限公司**  
 Chilisin Electronics (Vietnam) Limited  
 No 143 - 145, Road No 10, VSIP Hai Phong,  
 Lap Le Commune, Thuy Nguyen Dist,  
 Haiphong City, Vietnam  
 Tel : 84-316 255 688 Fax : 84-316 255  
 689  
 E-mail : sales@chilisin.com

**奇力新電子(湖南廠)有限公司**  
 HuNan Chilisin Electronics Technology Co., Ltd  
 No. 8, Shaziao Liangshuijing Town, Yuanling  
 County, Huaihua City, Hunan Province 419601,  
 China  
 Tel : 86-745-867-5882  
 E-mail : cect@chilisin.com

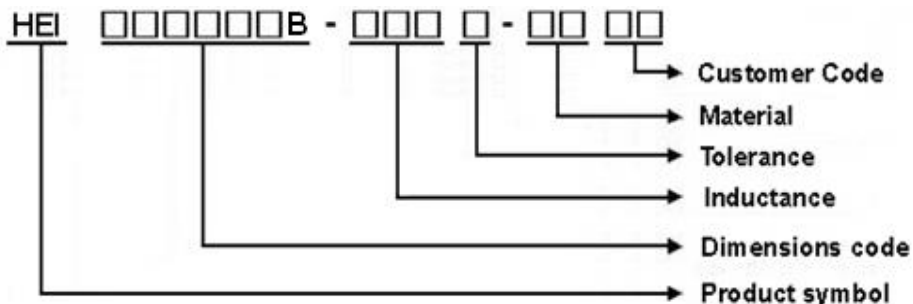
Drawn by 張鈺雯 <b>chang.yuwen</b>	Checked by 張鈺雯 <b>chang.yuwen</b>	Approved by 葉信賢 <b>Ben.Yeh</b>
------------------------------------	--------------------------------------	-----------------------------------



# HEI201610B Series Specification

**1 Scope:** This specification applies to Molding power inductors

**2 Part Numbering:**



**3 Rating:**

Operating Temperature: - 4 0 °C ~ 1 2 5 °C(Including self - temperature rise)

Storage Temperature: - 4 0 °C ~ 1 2 5 °C(after PCB)  
 - 5 °C ~ 3 5 °C, Humidity 4 5 % ~ 8 5 %(before PCB)

**4 Marking:**

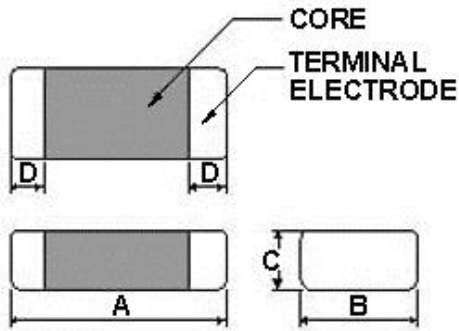
No Marking

**5 Standard Testing Condition**

	Unless otherwise specified	In case of doubt
Temperature	Ordinary Temperature(15 to 35°C)	20 to 30°C
Humidity	Ordinary Humidity(25 to 85% RH)	50 to 80 %RH

## HEI201610B Series Specification

### 6 Configuration and Dimensions:



Dimensions in mm

TYPE	HEI201610B
A	2.0±0.2
B	1.6±0.2
C	1.0 Max.
D	0.5±0.3

### 7 Electrical Characteristics:

Part No.	Inductance (uH)	Tolerance (±%)	Test Freq.	I <sub>rms</sub> (A) Max.(Typ)	I <sub>sat</sub> (A) Max.(Typ)	RDC(mΩ) Max.(Typ)
HEI201610B-R10N-Q8DH	0.1	30	10MHz,0.2V	6.0(7.0)	9.0(10.0)	14.8(12)

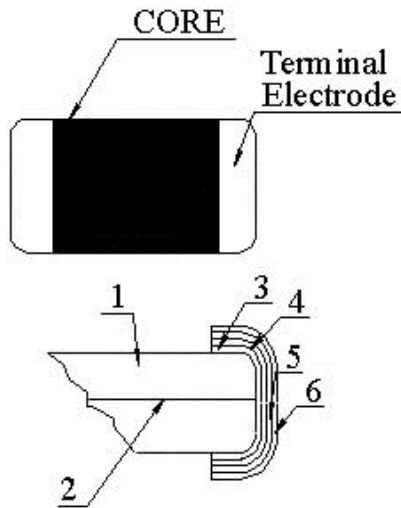
#### NOTE:

1. Operating temperature range - 40°C ~ 125°C (Including self-temperature rise)
2. I<sub>sat</sub> for Inductance drop 30% from its value without current.
3. I<sub>rms</sub> for a 40°C temperature rise from 25°C ambient.
4. All test data is referenced to 25°C ambient
5. Absolute maximum voltage 20VDC
6. Rated current: I<sub>sat</sub> or I<sub>rms</sub>, whichever is smaller

## HEI201610B Series Specification

### 8 HEI201610B Series

#### 8.1 Construction:



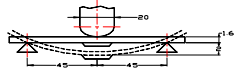
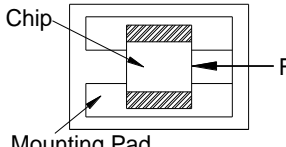
#### 8.2 Material List:

No	Part	Material
1	Core	Metal Powder
2	Wire	Copper wire
3	Sputter/Plating	Cu
4	Silver Electrode	Ag
5	Plating	Ni
6	Plating	Sn

## HEI201610B Series Specification

### 9 Reliability Of Molding power inductors

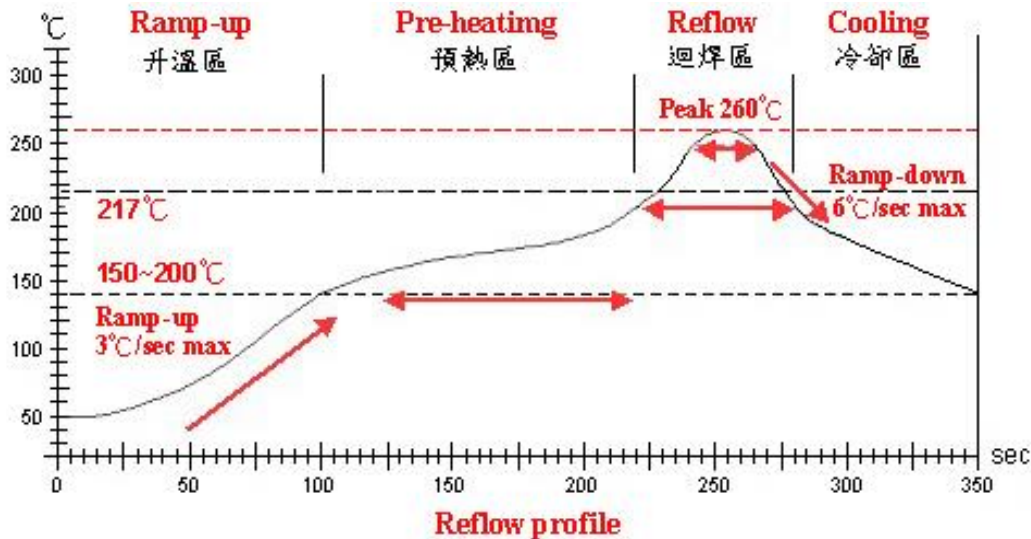
#### 1-1.Mechanical Performance

No	Item	Specification	Test Method
1-1-1	Flexure Strength	The forces applied on the right conditions must not damage the terminal electrode and the metal body	Test device shall be soldered on the substrate Substrate Dimension: 100x40x1.6mm Deflection: 2.0mm Keeping Time: 30sec 
1-1-2	Vibration	Appearance:No damage (for microscope of CASTOR MZ-45 20X) Inductance change shall be within $\pm 20\%$	Test device shall be soldered on the substrate Oscillation Frequency: 10 to 55 to 10Hz for 1min Amplitude: 1.5mm Time: 2hrs for each axis (X, Y & Z), total 6hrs
1-1-3	Resistance to Soldering Heat	Appearance: No damage More than 75% of the terminal electrode should be covered with solder. Inductance: within $\pm 20\%$ of initial value	Pre-heating: 150°C, 1min Solder Composition: Sn/Ag3.0/Cu0.5(Pb-Free) Solder Temperature: 260 $\pm$ 5°C Immersion Time: 10 $\pm$ 1sec
1-1-4	Solder ability	The electrodes shall be at least 95% covered with new solder coating	Pre-heating: 150°C, 1min Solder Composition: Sn/Ag3.0/Cu0.5(Pb-Free) Solder Temperature: 245 $\pm$ 5°C Immersion Time: 4 $\pm$ 1sec
1-1-5	Terminal Strength Test	No split termination  Chip Mounting Pad	Test device shall be soldered on the substrate, then apply a force in the direction of the arrow. Force : 5N Keeping Time: 10 $\pm$ 1sec

#### 1-2.Environmental Performance

No	Item	Specification	Test Method		
1-2-1	Temperature Cycle	Appearance: No damage Inductance: within $\pm 20\%$ of initial value	One cycle:		
			Step	Temperature (°C)	Time (min)
			1	-40 $\pm$ 3	30
			2	25 $\pm$ 2	3
			3	125 $\pm$ 3	30
4	25 $\pm$ 2	3			
			Total: 100cycles		
1-2-2	Humidity Resistance		Measured after exposure in the room condition for 24hrs Temperature: 60 $\pm$ 2°C Relative Humidity: 90 ~ 95% / Time: 500hrs		
1-2-3	High Temperature Resistance		Measured after exposure in the room condition for 24hrs Temperature: 85 $\pm$ 3°C Relative Humidity: 0% / Time: 500hrs		
1-2-4	Low Temperature Resistance		Measured after exposure in the room condition for 24hrs Temperature: -40 $\pm$ 3°C Relative Humidity: 0% / Time: 500hrs		

## HEI201610B Series Specification



Lead-Free(LF) 標準溫度分析範圍

Refer to J-STD-020C

管制項目 Item.	升温區 Ramp-up	預熱區 Pre-heating	迴焊區 Reflow	Peak Temp	冷卻區 Cooling
溫度範圍 Temp.scope	R.T. ~ 150°C	150°C ~ 200°C	217°C	260±5°C	Peak Temp. ~ 150°C
標準時間 Time spec.	—	60 ~ 180 sec	60 ~ 150sec	20 ~ 40 sec	—
實際時間 Time result	—	75 ~ 100 sec	90 ~ 120sec	20 ~ 35 sec	—

NOTE :

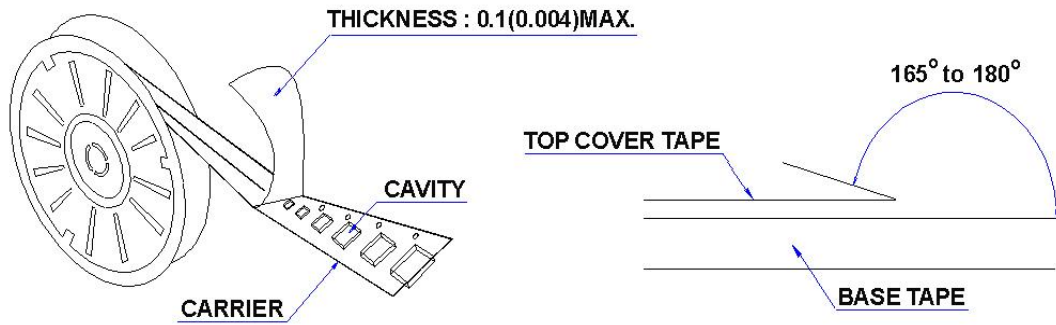
1. Re-flow possible times : within 2 times
2. Nitrogen adopted is recommended while in re-flow

## HEI201610B Series Specification

### 10 Packaging:

#### 10.1 Packaging -Cover Tape

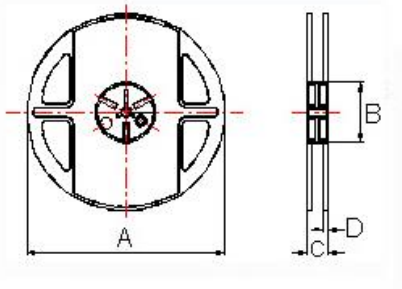
The force for tearing off cover tape is 10 to 100 grams in the arrow direction.



#### 10.2 Packaging Quantity

TYPE	PCS/REEL
HEI201610B	3000

#### 10.3 Reel Dimensions



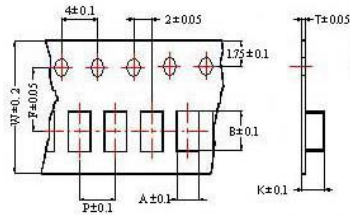
Dimensions in mm

TYPE	A	B	C	D
HEI201610B	178	60	12	1.5

## HEI201610B Series Specification

### 10 Packaging:

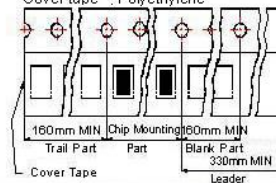
#### 10.4 Tape Dimensions in mm



#### Tape Material

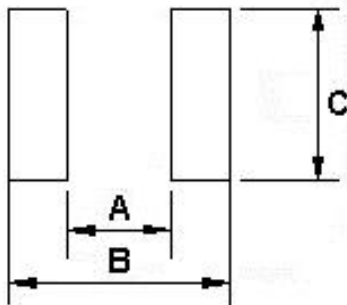
Carrier tape : Polycarbonate

Cover tape : Polyethylene



TYPE	A	B	T	W	P	F	K
HEI201610B	1.80	2.20	0.22	8	4	3.5	1.15

### 11 Recommended Land Pattern:



#### Dimensions in mm

TYPE	A	B	C
HEI201610B	0.7	2.3	1.8

### 12 Note:

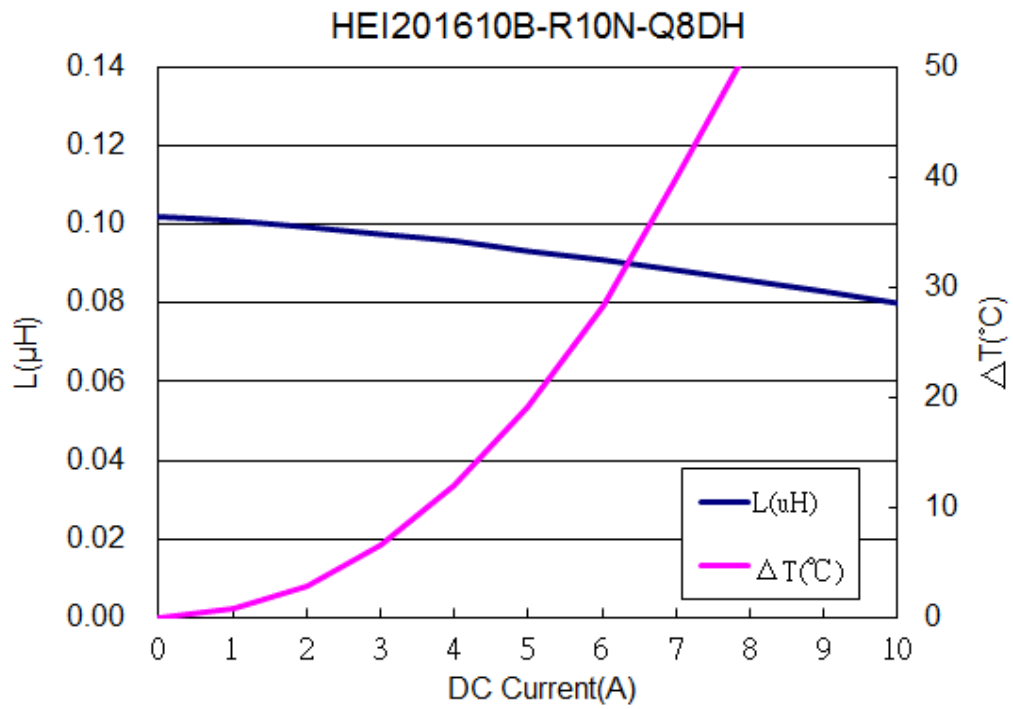
1. Please make sure that your product has been evaluated and confirmed against your specifications when our product is mounted to your product.
2. Do not knock nor drop.
3. All the items and parameters in this product specification have been prescribed on the premise that our product is used for the purpose, under the condition and in the environment agreed upon between you and us. You are requested not to use our product deviating from such agreement.
4. Please keep the distance between transformer/coil and other components (refer to the standard IEC 950)
5. After manufacturing process, there might be slight irregular shape on the edge of the products, and it's a normal phenomenon that can be neglected
6. The moisture sensitivity level (MSL) of products is classified as level 1.





# HEI201610B Series Specification

13 Graph:



## X-ON Electronics

Largest Supplier of Electrical and Electronic Components

*Click to view similar products for [Fixed Inductors](#) category:*

*Click to view products by [Chilisin](#) manufacturer:*

Other Similar products are found below :

[CR43NP-680KC](#) [CR54NP-470LC](#) [CR54NP-820KC](#) [CR54NP-8R5MC](#) [70F224AI](#) [MGDQ4-00004-P](#) [MHL1ECTTP18NJ](#) [MHQ1005P10NJ](#)  
[MHQ1005P1N0S](#) [MHQ1005P2N4S](#) [MHQ1005P3N6S](#) [MHQ1005P5N1S](#) [MHQ1005P8N2J](#) [PE-51506NL](#) [PE-53601NL](#) [PE-53602NL](#) [PE-53630NL](#) [PE-53824SNLT](#) [PE-92100NL](#) [PG0434.801NLT](#) [PG0936.113NLT](#) [9220-20](#) [9310-16](#) [PM06-2N7](#) [PM06-39NJ](#) [A01TK](#) [1206CS-471XJ](#) [HC2LP-R47-R](#) [HC2-R47-R](#) [HC3-2R2-R](#) [HC3-R50-R](#) [HC8-1R2-R](#) [HCF1305-3R3-R](#) [1206CS-151XG](#) [RCH664NP-140L](#) [RCH664NP-4R7M](#) [RCH8011NP-221L](#) [RCP1317NP-332L](#) [RCP1317NP-391L](#) [RCR1010NP-470M](#) [RCR110DNP-331L](#) [DH2280-4R7M](#) [DS1608C-106](#)  
[ASPI-4020HI-R10M-T](#) [B10TJ](#) [B82498B3680J000](#) [ELJ-RE27NJF2](#) [1812CS-153XJ](#) [1812CS-183XJ](#) [1812CS-223XJ](#)