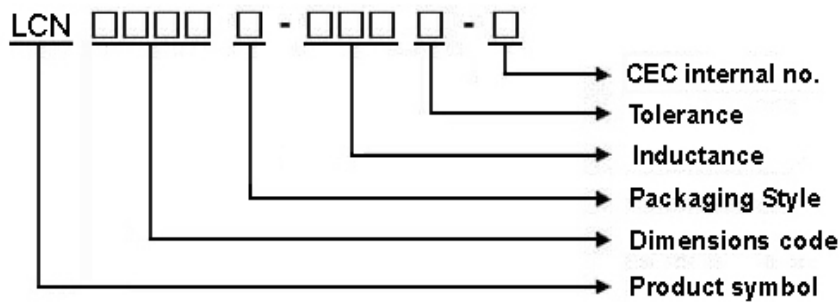


LCN0805T Series Specification

1 Scope: This specification applies to Wire Wound Ceramic Chip Inductors

2 Part Numbering:

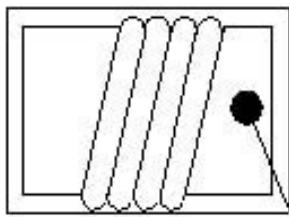


3 Rating:

Operating Temperature: $-40^{\circ}\text{C} \sim 125^{\circ}\text{C}$ (Including self - temperature rise)

Storage Temperature: $20^{\circ}\text{C} \sim 25^{\circ}\text{C}$ R.H. 65% (In Tape & Reel Condition)

4 Marking:



Ex: LCN0805T-R10K-S

Marking: 1st → Yellow

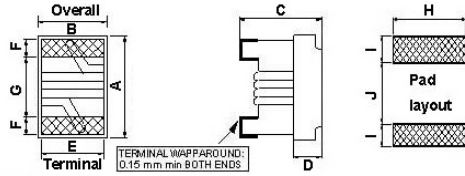
1st

5 Standard Testing Condition

	Unless otherwise specified	In case of doubt
Temperature	Ordinary Temperature (15 to 35°C)	20 to 30°C
Humidity	Ordinary Humidity (25 to 85% RH)	50 to 80 %RH

LCN0805T Series Specification

6 Configuration and Dimensions:



Dimensions in mm

TYPE	A	B	C	D	E	F	G	H	I	J
LCN0805	2.35 Max.	1.73 Max.	1.52 Max.	0.71	1.27	0.51	1.02	1.78	1.02	0.76

7 Electrical Characteristics:

Part No.	Inductance (nH)	L/Q Test Freq. (MHz)	Q Min.	SRF (MHz)Min.	RDC (Ω)Max.	Irms (mA)Max.	Tolerance (\pm %)	Color Code		
								1st	2nd	3rd
LCN0805T-2N8□-S	2.8	250/1500	70	7900	0.06	800	10,5,2	GRY		
LCN0805T-3N0□-S	3	250/1500	65	7900	0.06	800	10,5,2	WHT		
LCN0805T-3N3□-S	3.3	250/1500	50	7900	0.08	600	10,5,2	BLK		
LCN0805T-5N6□-S	5.6	250/1000	65	5500	0.08	600	10,5,2	ORN		
LCN0805T-6N8□-S	6.8	250/1000	50	5500	0.11	600	10,5,2	BRN		
LCN0805T-7N5□-S	7.5	250/1000	50	4500	0.14	600	10,5,2	GRN		
LCN0805T-8N2□-S	8.2	250/1000	50	4700	0.12	600	10,5,2	RED		
LCN0805T-10N□-S	10	250/500	60	4200	0.1	600	10,5,2	BLU		
LCN0805T-12N□-S	12	250/500	50	4000	0.15	600	10,5,2	ORN		
LCN0805T-15N□-S	15	250/500	50	3400	0.17	600	10,5,2	YEL		
LCN0805T-18N□-S	18	250/500	50	3300	0.2	600	10,5,2	GRN		
LCN0805T-22N□-S	22	250/500	55	2600	0.22	500	10,5,2	BLU		
LCN0805T-24N□-S	24	250/500	50	2000	0.22	500	10,5,2	GRY		
LCN0805T-27N□-S	27	250/500	55	2500	0.25	500	10,5,2	VIO		
LCN0805T-33N□-S	33	250/500	60	2050	0.27	500	10,5,2	GRY		
LCN0805T-36N□-S	36	250/500	55	1700	0.27	500	10,5,2	ORN		
LCN0805T-39N□-S	39	250/500	60	2000	0.29	500	10,5,2	WHT		
LCN0805T-43N□-S	43	200/500	60	1650	0.34	500	10,5,2	YEL		
LCN0805T-47N□-S	47	200/500	60	1650	0.31	500	10,5,2	BLK		
LCN0805T-56N□-S	56	200/500	60	1550	0.34	500	10,5,2	BRN		
LCN0805T-68N□-S	68	200/500	60	1450	0.38	500	10,5,2	RED		
LCN0805T-82N□-S	82	150/500	65	1300	0.42	400	10,5,2	ORN		
LCN0805T-91N□-S	91	150/500	65	1200	0.48	400	10,5,2	BLK		
LCN0805T-R10□-S	100	150/500	65	1200	0.46	400	10,5,2	YEL		
LCN0805T-R11□-S	110	150/250	50	1000	0.48	400	10,5,2	BRN		

NOTE: □-tolerance G= \pm 2% / J= \pm 5% / K= \pm 10%

- Operating temperature range - 40°C ~ 125°C (Including self - temperature rise)
- Irms for a 15°C temperature rise from 25°C ambient.
- L/Q Test OSC @200mV.



ISO9001 & ISO14001 & TS16949 CHILISIN ELECTRONICS CORP.

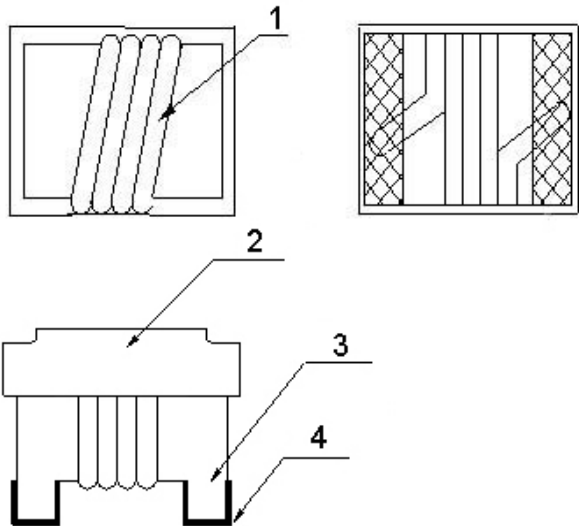
LCN0805T Series Specification

Part No.	Inductance (nH)	L/Q Test		SRF (MHZ)Min.	RDC (Ω)Max.	I _{rms} (mA)Max.	Tolerance (\pm %)	Color Code		
		Freq. (MHz)	Q Min.					1st	2nd	3rd
LCN0805T-R12 \square -S	120	150/250	50	1100	0.51	400	10,5,2	GRN		
LCN0805T-R13 \square -S	130	150/250	50	1100	0.51	400	10,5,2	WHT		
LCN0805T-R15 \square -S	150	100/250	50	920	0.56	400	10,5,2	BLU		
LCN0805T-R18 \square -S	180	100/250	50	870	0.64	400	10,5,2	VIO		
LCN0805T-R20 \square -S	200	100/250	50	860	0.7	400	10,5,2	RED		
LCN0805T-R22 \square -S	220	100/250	50	850	0.7	400	10,5,2	GRY		
LCN0805T-R24 \square -S	240	100/250	44	690	1	350	10,5,2	RED		
LCN0805T-R25 \square -S	250	100/250	45	660	1	350	10,5,2	YEL		
LCN0805T-R27 \square -S	270	100/250	48	650	1	350	10,5,2	WHT		
LCN0805T-R33 \square -S	330	100/250	48	600	1.4	310	10,5,2	BLK		
LCN0805T-R39 \square -S	390	100/250	25	400	1.5	290	10,5,2	BRN		
LCN0805T-R47 \square -S	470	50/100	33	450	1.76	250	10,5,2	VIO		
LCN0805T-R56 \square -S	560	25/50	20	200	1.9	230	10,5,2	ORN		
LCN0805T-R68 \square -S	680	25/50	18	130	2.2	190	10,5,2	GRN		
LCN0805T-R82 \square -S	820	25/50	15	100	2.35	180	10,5,2	BLU		

LCN0805T Series Specification

8 LCN0805T Series

8.1 Construction:



8.2 Material List:

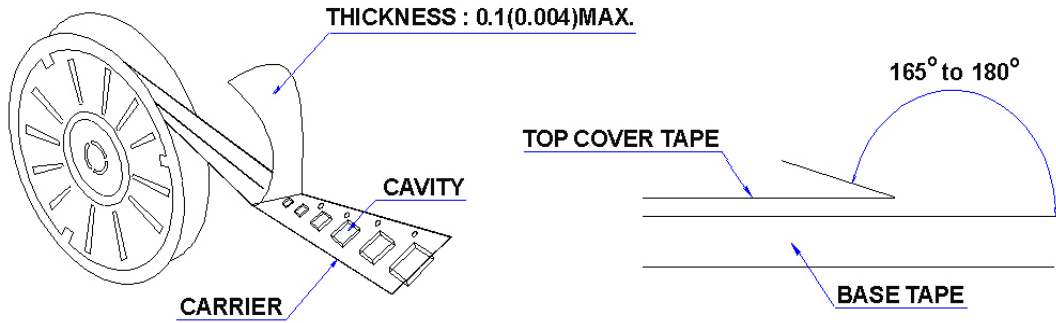
No	Part	Material
1	WIRE	Grade 180
2	EPOXY	UV GLUE
3	CORE	CERAMIC
4	TERMINAL	Ag/Cu/Ni/Sn

LCN0805T Series Specification

9 Packaging:

9.1 Packaging -Cover Tape

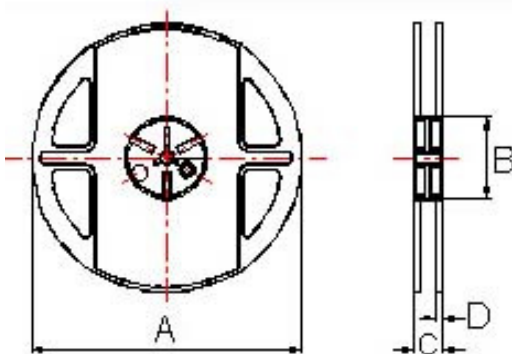
The force for tearing off cover tape is 10 to 100 grams in the arrow direction.



9.2 Packaging Quantity

TYPE	PCS/REEL
LCN0603	4000
LCN0805	2000
LCN1008	2000
LCN1210	2000

9.3 Reel Dimensions



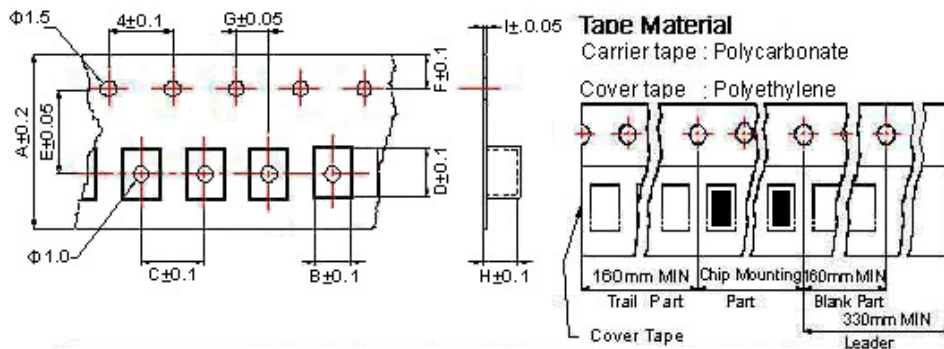
Reel Dimensions : m/m

TYPE	A	B	C	D
LCN0603	178	60	12	1.5
LCN0805	178	60	12	1.5
LCN1008	178	60	12	1.5
LCN1210	178	60	16	1.4

LCN0805T Series Specification

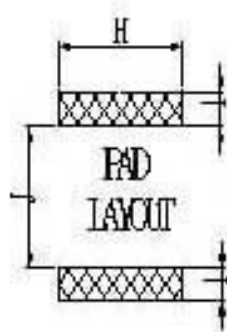
9 Packaging:

9.4 Tape Dimensions in mm



TYPE	A	B	C	D	E	F	G	H	I
LCN0805	8.0	1.85	4	2.45	3.5	1.75	2	1.7	0.23

10 Recommended Land Pattern:



Dimensions in mm

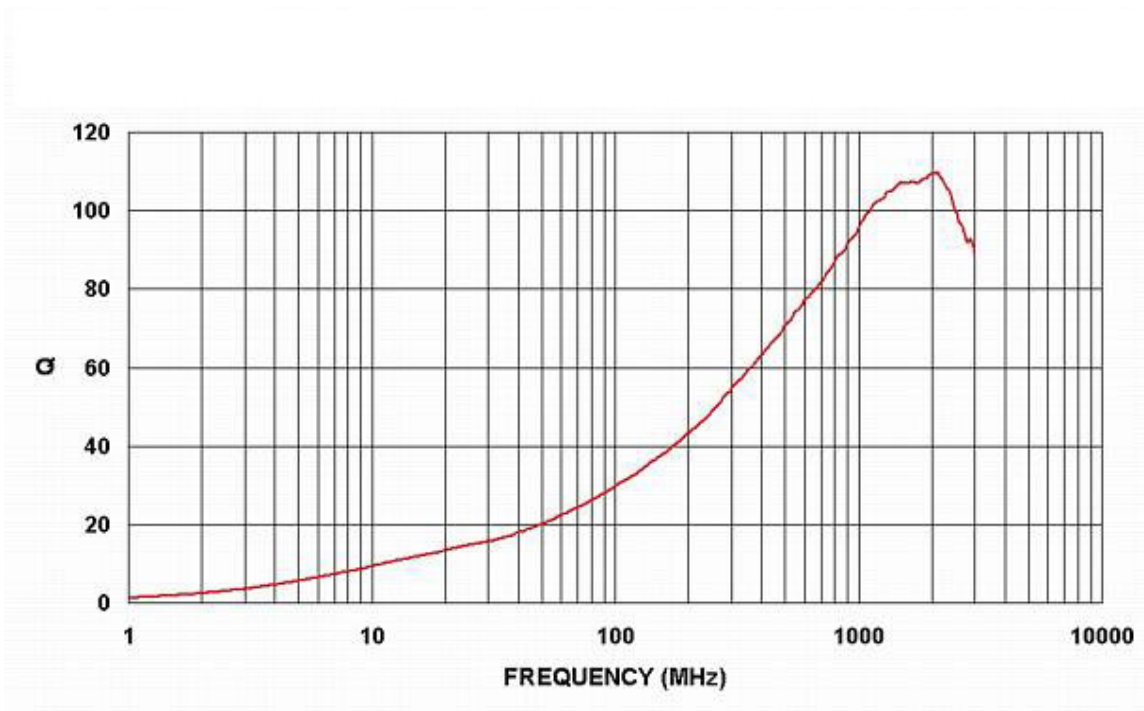
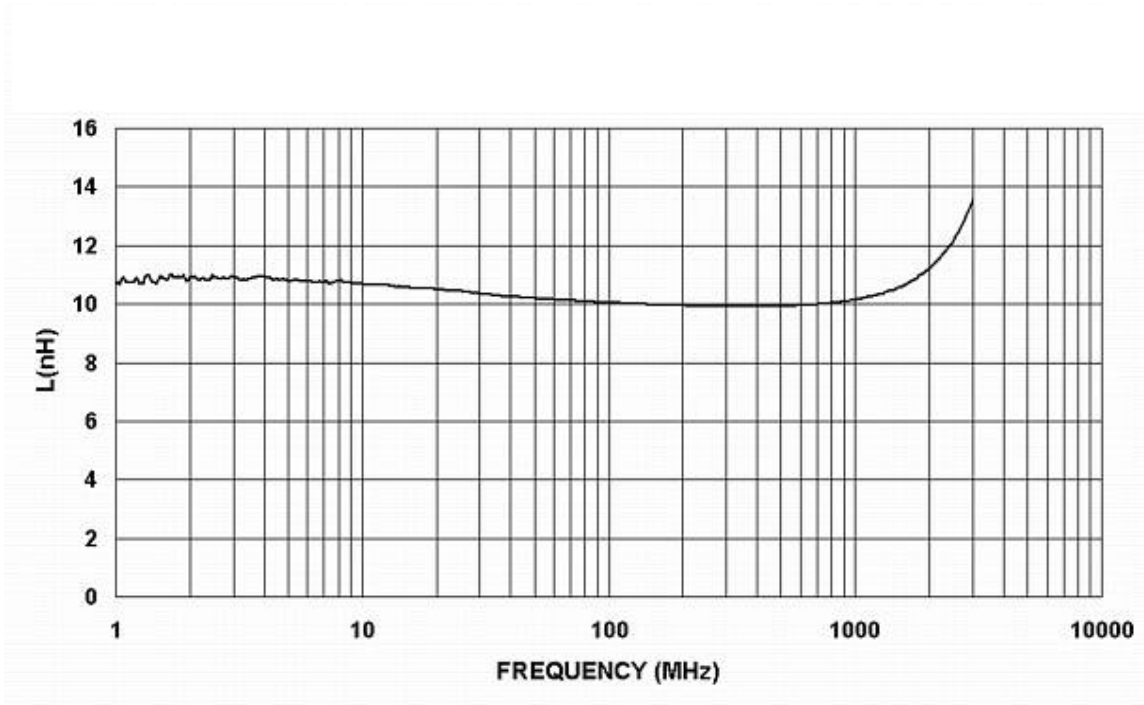
TYPE	H(in/mm)	I(in/mm)	J(in/mm)
LCN0603	0.04/1.02	0.025/0.64	0.025/0.64
LCN0805	0.07/1.78	0.04/1.02	0.03/0.76
LCN1008	0.1/2.54	0.04/1.02	0.05/1.27
LCN1210	0.106/2.70	0.039/1.00	0.079/2.00

11 Note:

- Please make sure that your product has been evaluated and confirmed against your specifications when our product is mounted to your product.
- Do not knock nor drop.
- All the items and parameters in this product specification have been prescribed on the premise that our product is used for the purpose, under the condition and in the environment agreed upon between you and us. You are requested not to use our product deviating from such agreement.
- Please keep the distance between transformer/coil and other components (refer to the standard IEC 950)
- The moisture sensitivity level (MSL) of products is classified as level 1.

LCN0805T Series Specification

12 Graph: LCN0805T-10NJ-S



X-ON Electronics

Largest Supplier of Electrical and Electronic Components

Click to view similar products for [Fixed Inductors](#) category:

Click to view products by [Chilisin](#) manufacturer:

Other Similar products are found below :

[MLZ1608M6R8WTD25](#) [MLZ1608N6R8LT000](#) [MLZ1608N3R3LTD25](#) [MLZ1608N3R3LT000](#) [MLZ1608N150LT000](#)
[MLZ1608M150WTD25](#) [MLZ1608M3R3WTD25](#) [MLZ1608M3R3WT000](#) [MLZ1608M150WT000](#) [MLZ1608A1R5WT000](#)
[MLZ1608N1R5LT000](#) [B82432C1333K000](#) [PCMB053T-1R0MS](#) [PCMB053T-1R5MS](#) [PCMB104T-1R5MS](#) [CR32NP-100KC](#) [CR32NP-151KC](#) [CR32NP-180KC](#) [CR32NP-181KC](#) [CR32NP-1R5MC](#) [CR32NP-390KC](#) [CR32NP-3R9MC](#) [CR32NP-680KC](#) [CR32NP-820KC](#)
[CR32NP-8R2MC](#) [CR43NP-390KC](#) [CR43NP-560KC](#) [CR43NP-680KC](#) [CR54NP-181KC](#) [CR54NP-470LC](#) [CR54NP-820KC](#) [CR54NP-8R5MC](#)
[MGDQ4-00004-P](#) [MGDU1-00016-P](#) [MHL1ECTTP18NJ](#) [MHL1JCTTD12NJ](#) [PE-51506NL](#) [PE-53601NL](#) [PE-53630NL](#) [PE-53824SNLT](#) [PE-62892NL](#) [PE-92100NL](#) [PG0434.801NLT](#) [PG0936.113NLT](#) [PM06-2N7](#) [PM06-39NJ](#) [HC2LP-R47-R](#) [HC2-R47-R](#) [HC3-2R2-R](#) [HC8-1R2-R](#)