



ISO9001 & ISO14001 & TS16949 **CHILISIN ELECTRONICS CORP.**

RoHS & Halogen Free & REACH Compliance.

SPECIFICATION FOR APPROVAL

Customer : 普瑞

Customer P/N: _____

Drawing No : LCN1008

Quantity : 0 Pcs. Date : 2019/08/28

Chilisin P/N : LCN1008T-3R3J-S

SPECIFICATION ACCEPTED BY:	
COMPONENT ENGINEER	
ELECTRICAL ENGINEER	
MECHANICAL ENGINEER	
APPROVED	
REJECTED	

奇力新電子股份有限公司
Chilisin Electronics Corp
No. 29, Alley 301, Tehhsin Rd.,
Hukou, Hsinchu 303, Taiwan
TEL : +886-3- 599-2646
FAX : +886-3- 599-9176
E-mail : sales@chilisin.com
http : //www.chilisin.com

東莞奇力新電子(東莞廠)有限公司
Chilisin Electronics (Dongguan) Co., Ltd.
No. 78, Puxing Rd., Yuliangwei Administration Area,
Qingxi Town, Dongguan City, Guangdong, China
TEL : +86-769-8773-0251~3
FAX : +86-769-8773-0232
E-mail : cect@chilisin.com

奇力新電子(越南廠)有限公司
Chilisin Electronics (Vietnam) Limited
No 143 - 145, Road No 10, VSIP Hai Phong,
Lap Le Commune, Thuy Nguyen Dist,
Haiphong City, Vietnam
Tel : 84-316 255 688 Fax : 84-316 255
689
E-mail : sales@chilisin.com

奇力新電子(湖南廠)有限公司
HuNan Chilisin Electronics Technology Co., Ltd
No. 8, Shaziao Liangshuijing Town, Yuanling
County, Huaihua City, Hunan Province 419601,
China
Tel : 86-745-867-5882
E-mail : cect@chilisin.com

Drawn by
林天從

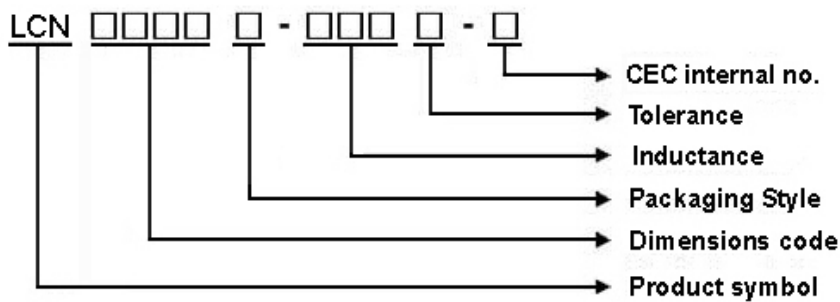
Checked by
溫美玲 ling

Approved by
陳瑞揚 ryan.chen

LCN1008T Series Specification

1 Scope: This specification applies to Wire Wound Ceramic Chip Inductors

2 Part Numbering:

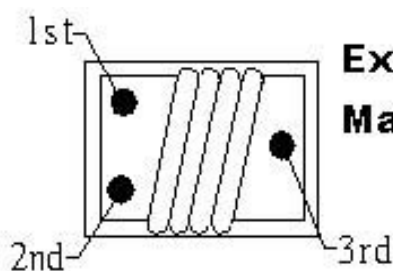


3 Rating:

Operating Temperature: $-40^{\circ}\text{C} \sim 125^{\circ}\text{C}$ (Including self - temperature rise)

Storage Temperature: $20^{\circ}\text{C} \sim 25^{\circ}\text{C}$ R.H. 65% (In Tape & Reel Condition)

4 Marking:



Ex: LCN1008T-1R0K-S

Marking: 1st → Brown

2nd → Black

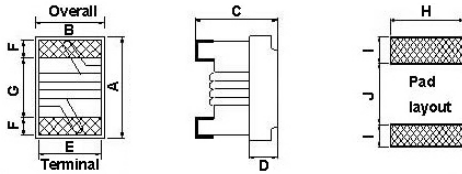
3rd → Red

5 Standard Testing Condition

	Unless otherwise specified	In case of doubt
Temperature	Ordinary Temperature (15 to 35°C)	20 to 30°C
Humidity	Ordinary Humidity (25 to 85% RH)	50 to 80 %RH

LCN1008T Series Specification

6 Configuration and Dimensions:



Dimensions in mm

TYPE	A	B	C	D	E	F	G	H	I	J
LCN1008	2.92Max.	2.79Max.	2.1Max.	1.16	2.03	0.51	1.52	2.54	1.02	1.27

7 Electrical Characteristics:

Part No.	Inductance (nH)	L/Q Test Freq. (MHz)	Q Min.	SRF (MHZ)Min.	RDC (Ω)Max.	I _{rms} (mA)Max.	Tolerance (\pm %)	Color Code		
								1st	2nd	3rd
LCN1008T-3N9□-S	3.9	50/500	50	4100	0.06	1000	10,5	BLK	ORN	WHT
LCN1008T-4N7□-S	4.7	50/500	50	4100	0.08	1000	10,5	BLK	YEL	VIO
LCN1008T-5N6□-S	5.6	50/500	50	4100	0.15	1000	10,5	BLK	GRN	BLU
LCN1008T-10N□-S	10	50/500	50	4100	0.08	1000	10,5,2	BRN	BLK	BLK
LCN1008T-12N□-S	12	50/500	50	3300	0.09	1000	10,5,2	BRN	RED	BLK
LCN1008T-15N□-S	15	50/500	50	2500	0.1	1000	10,5,2	BRN	GRN	BLK
LCN1008T-18N□-S	18	50/350	50	2500	0.11	1000	10,5,2	BRN	GRY	BLK
LCN1008T-22N□-S	22	50/350	55	2400	0.12	1000	10,5,2	RED	RED	BLK
LCN1008T-27N□-S	27	50/350	55	1600	0.13	1000	10,5,2	RED	VIO	BLK
LCN1008T-33N□-S	33	50/350	60	1600	0.14	1000	10,5,2	ORN	ORN	BLK
LCN1008T-39N□-S	39	50/350	60	1500	0.15	1000	10,5,2	ORN	WHT	BLK
LCN1008T-47N□-S	47	50/350	65	1500	0.16	1000	10,5,2	YEL	VIO	BLK
LCN1008T-56N□-S	56	50/350	65	1300	0.18	1000	10,5,2	GRN	BLU	BLK
LCN1008T-68N□-S	68	50/350	65	1300	0.2	1000	10,5,2	BLU	GRY	BLK
LCN1008T-82N□-S	82	50/350	60	1000	0.22	1000	10,5,2	GRY	RED	BLK
LCN1008T-R10□-S	100	25/350	60	1000	0.56	650	10,5,2	BRN	BLK	BRN
LCN1008T-R12□-S	120	25/350	60	950	0.63	650	10,5,2	BRN	RED	BRN
LCN1008T-R15□-S	150	25/100	45	850	0.7	580	10,5,2	BRN	GRN	BRN
LCN1008T-R18□-S	180	25/100	45	750	0.77	620	10,5,2	BRN	GRY	BRN
LCN1008T-R22□-S	220	25/100	45	700	0.84	500	10,5,2	RED	RED	BRN
LCN1008T-R24□-S	240	25/100	45	730typ.	0.45	800	10,5,2	RED	YEL	BRN
LCN1008T-R27□-S	270	25/100	45	600	0.91	500	10,5,2	RED	VIO	BRN
LCN1008T-R33□-S	330	25/100	45	570	1.05	450	10,5,2	ORN	ORN	BRN
LCN1008T-R39□-S	390	25/100	45	500	1.12	470	10,5,2	ORN	WHT	BRN
LCN1008T-R43□-S	430	25/100	45	450	1.19	470	10,5,2	YEL	ORN	BRN

NOTE: □-tolerance G=±2% / J=±5% / K=±10%

1. Operating temperature range - 40°C ~ 125°C (Including self - temperature rise)
2. I_{rms} for a 15°C temperature rise from 25°C ambient.
3. L/Q Test OSC @200mV.



ISO9001 & ISO14001 & TS16949 **CHILISIN ELECTRONICS CORP.**

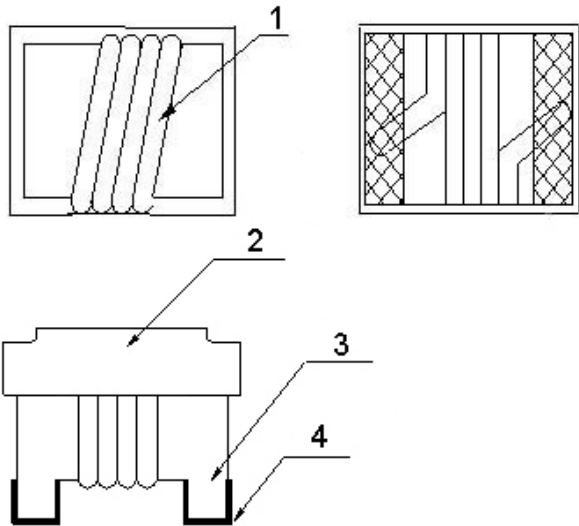
LCN1008T Series Specification

Part No.	Inductance (nH)	L/Q Test	Q Min.	SRF (MHZ)Min.	RDC (Ω)Max.	I _{rms} (mA)Max.	Tolerance (±%)	Color Code		
		Freq. (MHz)						1st	2nd	3rd
LCN1008T-R47□-S	470	25/100	45	450	1.19	470	10,5,2	YEL	VIO	BRN
LCN1008T-R56□-S	560	25/100	45	415	1.33	400	10,5,2	GRN	BLU	BRN
LCN1008T-R62□-S	620	25/100	45	375	1.4	300	10,5,2	BLU	RED	BRN
LCN1008T-R68□-S	680	25/100	45	375	1.47	400	10,5,2	BLU	GRY	BRN
LCN1008T-R75□-S	750	25/100	45	360	1.54	360	10,5,2	VIO	GRN	BRN
LCN1008T-R82□-S	820	25/100	45	350	1.61	400	10,5,2	GRY	RED	BRN
LCN1008T-R91□-S	910	25/50	35	320	1.68	380	10,5,2	WHT	BRN	BRN
LCN1008T-1R0□-S	1000	25/50	35	220	1.75	370	10,5,2	BRN	BLK	RED
LCN1008T-1R2□-S	1200	7.9/50	35	186	2	310	10,5,2	BRN	RED	RED
LCN1008T-1R5□-S	1500	7.9/50	28	200	2.3	330	10,5,2	BRN	GRN	RED
LCN1008T-1R8□-S	1800	7.9/50	25	170	2.6	300	10,5,2	BRN	GRY	RED
LCN1008T-2R2□-S	2200	7.9/50	20	110	2.8	280	10,5,2	RED	RED	RED
LCN1008T-2R7□-S	2700	7.9/25	15	140	3.2	290	10,5,2	RED	VIO	RED
LCN1008T-3R3□-S	3300	7.9/25	15	100	3.4	290	10,5,2	ORN	ORN	RED
LCN1008T-3R9□-S	3900	7.9/25	15	100	3.6	260	10,5,2	ORN	WHT	RED
LCN1008T-4R7□-S	4700	7.9/25	13	90	4	260	10,5,2	YEL	VIO	RED
LCN1008T-5R6□-S	5600	7.9/7.9	16	20	4	240	10,5,2	GRN	BLU	RED
LCN1008T-6R8□-S	6800	7.9/7.9	18	40	4.9	200	10,5,2	BLU	GRY	RED
LCN1008T-8R2□-S	8200	7.9/7.9	18	25	6	170	10,5,2	GRY	RED	RED
LCN1008T-100□-S	10000	2.52/7.96	10	15	10	120	10,5,2	BRN	BLK	ORN

LCN1008T Series Specification

8 LCN1008T Series

8.1 Construction:



8.2 Material List:

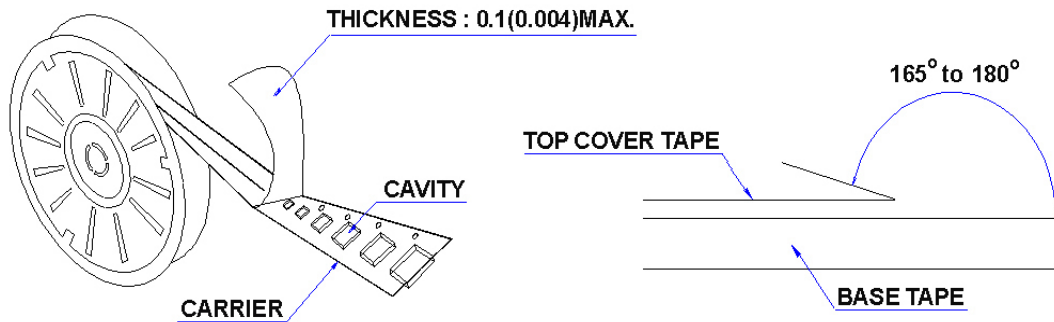
No	Part	Material
1	WIRE	Grade 180
2	EPOXY	UV GLUE
3	CORE	CERAMIC
4	TERMINAL	Ag/Cu/Ni/Sn

LCN1008T Series Specification

9 Packaging:

9.1 Packaging -Cover Tape

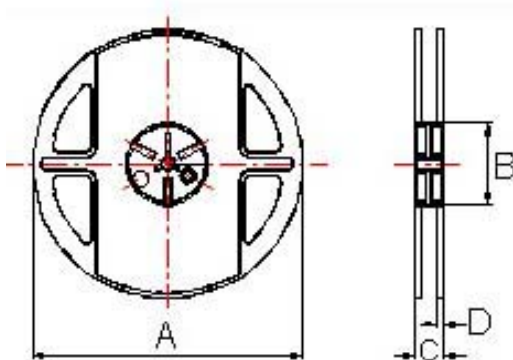
The force for tearing off cover tape is 10 to 100 grams in the arrow direction.



9.2 Packaging Quantity

TYPE	PCS/REEL
LCN0603	4000
LCN0805	2000
LCN1008	2000
LCN1210	2000

9.3 Reel Dimensions



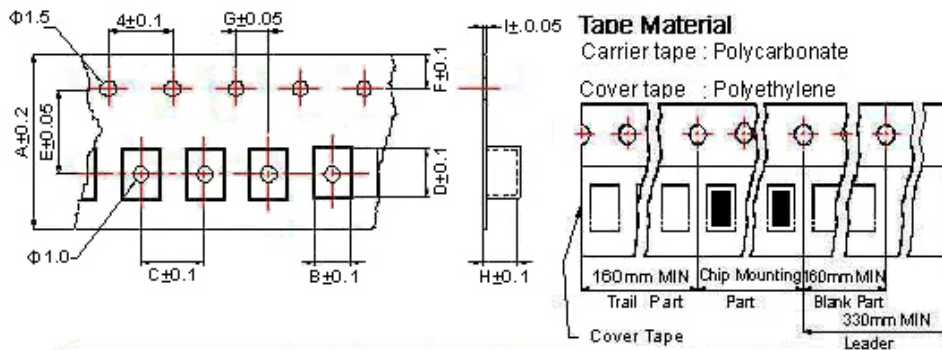
Dimensions in mm

TYPE	A	B	C	D
LCN0603	178	60	12	1.5
LCN0805	178	60	12	1.5
LCN1008	178	60	12	1.5
LCN1210	178	60	16	1.4

LCN1008T Series Specification

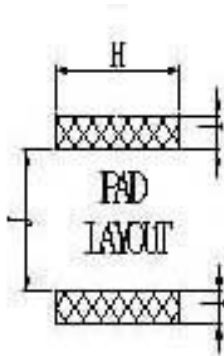
9 Packaging:

9.4 Tape Dimensions in mm



TYPE	A	B	C	D	E	F	G	H	I
LCN1008	8.0	2.80	4	2.95	3.5	1.75	2	2.20	0.23

10 Recommended Land Pattern:



Dimensions in mm

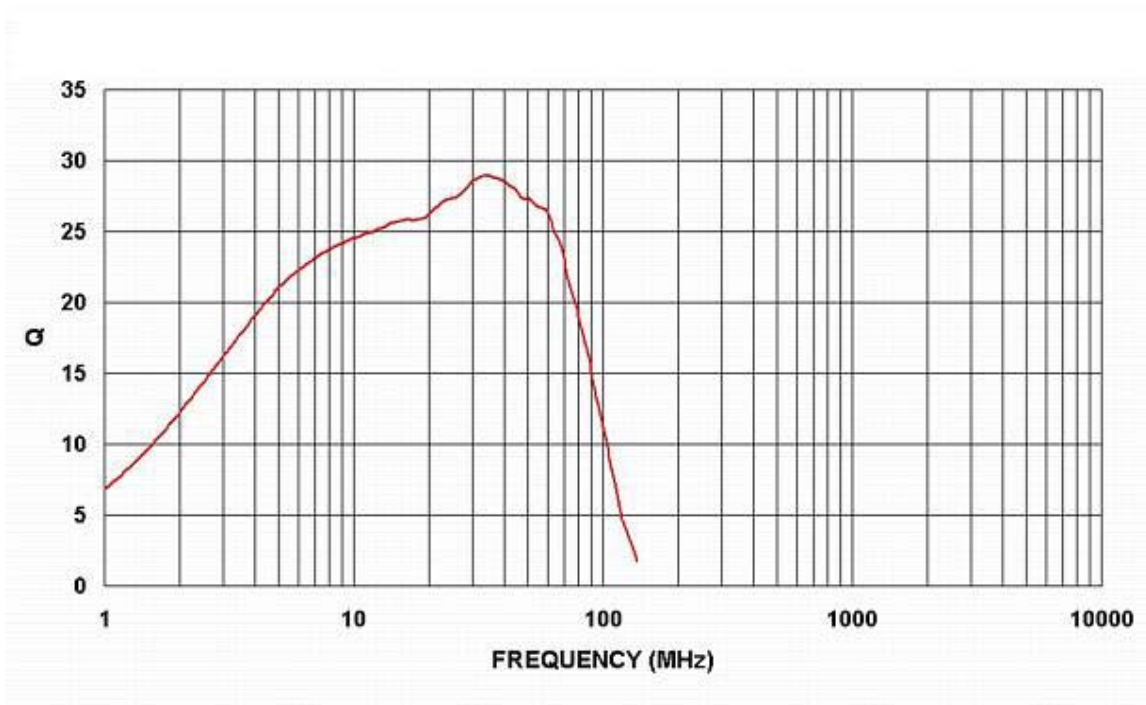
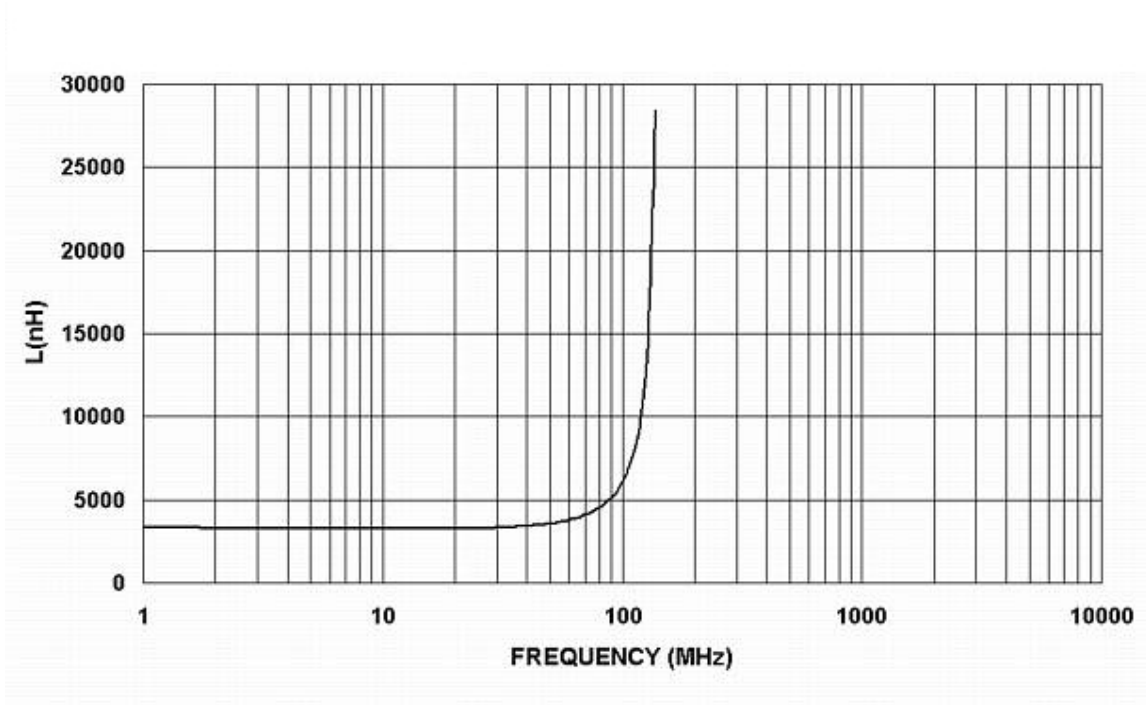
TYPE	H(in/mm)	I(in/mm)	J(in/mm)
LCN0603	0.04/1.02	0.025/0.64	0.025/0.64
LCN0805	0.07/1.78	0.04/1.02	0.03/0.76
LCN1008	0.1/2.54	0.04/1.02	0.05/1.27
LCN1210	0.106/2.70	0.039/1.00	0.079/2.00

11 Note:

- Please make sure that your product has been evaluated and confirmed against your specifications when our product is mounted to your product.
- Do not knock nor drop.
- All the items and parameters in this product specification have been prescribed on the premise that our product is used for the purpose, under the condition and in the environment agreed upon between you and us. You are requested not to use our product deviating from such agreement.
- Please keep the distance between transformer/coil and other components (refer to the standard IEC 950)
- The moisture sensitivity level (MSL) of products is classified as level 1.

LCN1008T Series Specification

12 Graph: LCN1008T-3R3J-S



X-ON Electronics

Largest Supplier of Electrical and Electronic Components

Click to view similar products for [Fixed Inductors](#) category:

Click to view products by [Chilisin](#) manufacturer:

Other Similar products are found below :

[MLZ1608M6R8WTD25](#) [MLZ1608N6R8LT000](#) [MLZ1608N3R3LTD25](#) [MLZ1608N3R3LT000](#) [MLZ1608N150LT000](#)

[MLZ1608M150WTD25](#) [MLZ1608M3R3WTD25](#) [MLZ1608M3R3WT000](#) [MLZ1608M150WT000](#) [MLZ1608A1R5WT000](#)

[MLZ1608N1R5LT000](#) [B82432C1333K000](#) [PCMB053T-1R0MS](#) [PCMB053T-1R5MS](#) [PCMB104T-1R5MS](#) [CR32NP-100KC](#) [CR32NP-](#)

[151KC](#) [CR32NP-180KC](#) [CR32NP-181KC](#) [CR32NP-1R5MC](#) [CR32NP-390KC](#) [CR32NP-3R9MC](#) [CR32NP-680KC](#) [CR32NP-820KC](#)

[CR32NP-8R2MC](#) [CR43NP-390KC](#) [CR43NP-560KC](#) [CR43NP-680KC](#) [CR54NP-181KC](#) [CR54NP-470LC](#) [CR54NP-820KC](#) [CR54NP-8R5MC](#)

[MGDQ4-00004-P](#) [MGDU1-00016-P](#) [MHL1ECTTP18NJ](#) [MHL1JCTTD12NJ](#) [PE-51506NL](#) [PE-53601NL](#) [PE-53630NL](#) [PE-53824SNLT](#) [PE-](#)

[62892NL](#) [PE-92100NL](#) [PG0434.801NLT](#) [PG0936.113NLT](#) [PM06-2N7](#) [PM06-39NJ](#) [HC2LP-R47-R](#) [HC2-R47-R](#) [HC3-2R2-R](#) [HC8-1R2-R](#)